



US00D916684S

(12) **United States Design Patent**
Fang

(10) **Patent No.:** **US D916,684 S**

(45) **Date of Patent:** **** Apr. 20, 2021**

(54) **EARPHONE**

(71) Applicant: **Yanzhao Fang**, Linxiang (CN)

(72) Inventor: **Yanzhao Fang**, Linxiang (CN)

(**) Term: **15 Years**

(21) Appl. No.: **29/737,640**

(22) Filed: **Jun. 10, 2020**

(51) **LOC (13) Cl.** **14-01**

(52) **U.S. Cl.**
USPC **D14/223**

(58) **Field of Classification Search**
USPC D14/223, 205, 218, 217; D24/174;
128/864, 865, 866; 381/380, 381, 382;
455/90.3, 575.1, 569.1
CPC H04R 1/10; H04R 25/00; H04R 25/02;
H04R 1/1066; H04R 1/1016; H04R
5/033; H04R 5/0335; H04R 1/1091;
H04R 1/1083; H04R 1/105

See application file for complete search history.

(56) **References Cited**

U.S. PATENT DOCUMENTS

D435,580 S *	12/2000	Grinkus	D14/218
D475,996 S *	6/2003	Skulley	D14/223
D478,893 S *	8/2003	Corander	D14/138 R
D494,569 S *	8/2004	Ma	D14/223
D509,199 S *	9/2005	Haase	D14/137
D517,054 S *	3/2006	Yang	D14/205
D520,497 S *	5/2006	Yang	D14/223
7,079,664 B2 *	7/2006	Nassimi	H04R 25/558 381/328
D535,974 S *	1/2007	Alwicker	D14/188
D550,658 S *	9/2007	Wang	D14/223
D554,626 S *	11/2007	Christopher	D14/223
D555,151 S *	11/2007	Eklund	D14/223
D555,152 S *	11/2007	Wang	D14/223
D566,105 S *	4/2008	Yang	D14/223
D581,396 S *	11/2008	Wikel	D14/206

D582,897 S *	12/2008	Christopher	D14/223
D583,804 S *	12/2008	Mahler	D14/223
D597,084 S *	7/2009	Gondo	D14/223
D603,378 S *	11/2009	Paradise	D14/223
D604,722 S *	11/2009	Mistry	D14/223
D606,980 S *	12/2009	Bradford	D14/218
D617,779 S *	6/2010	Nylen	D14/223
7,778,410 B2 *	8/2010	Liu	H04M 1/05 379/430
D623,629 S *	9/2010	Lau	D14/223
D629,396 S *	12/2010	Andre	D14/223
D632,680 S *	2/2011	Anneback	D14/228

(Continued)

FOREIGN PATENT DOCUMENTS

CN	305351386	*	9/2019
CN	306046668	*	9/2020
CN	306203559	*	12/2020

Primary Examiner — Paula Allen Greene

(74) *Attorney, Agent, or Firm* — Law Offices of Steven W. Weinrieb

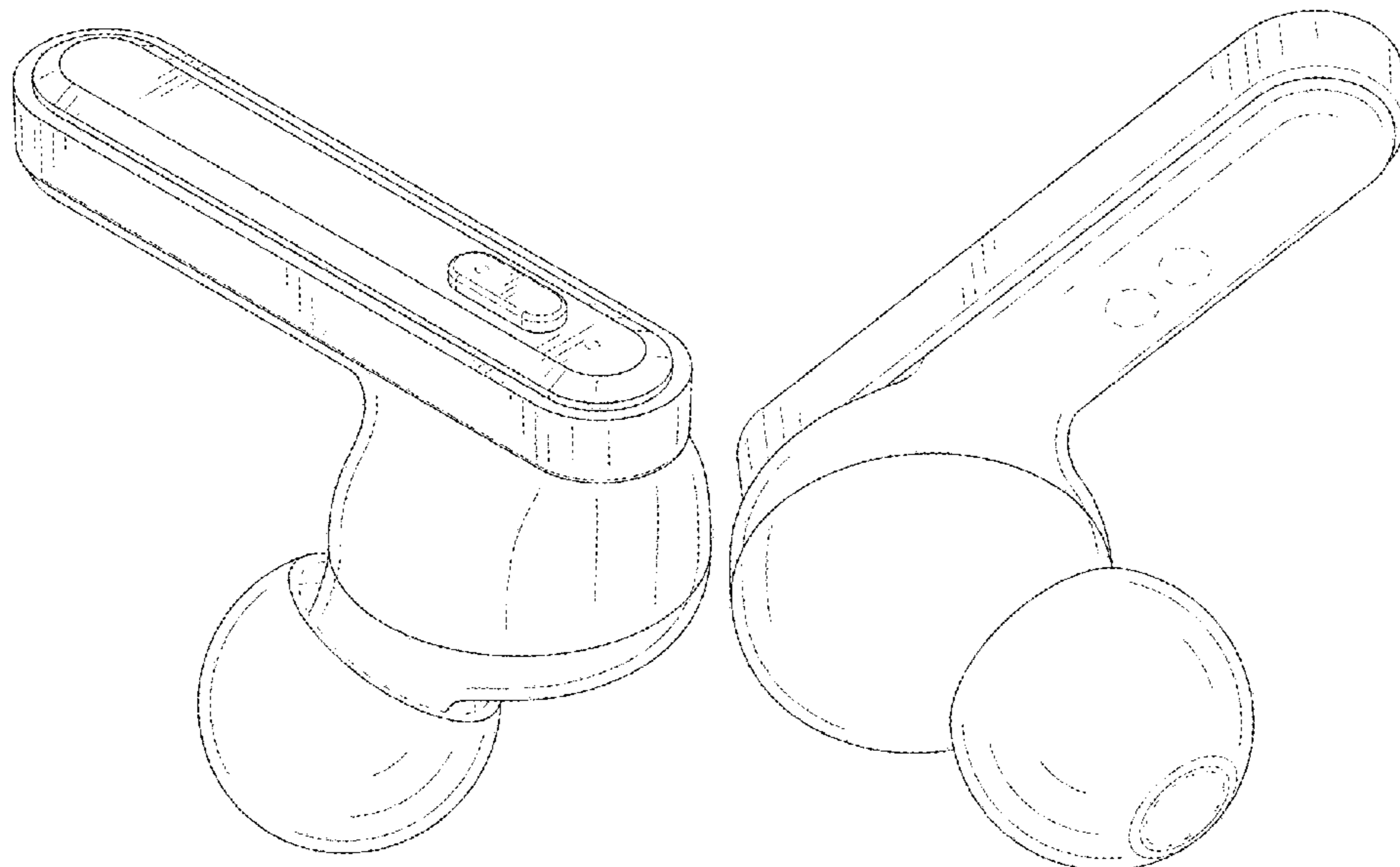
(57) **CLAIM**

The ornamental design for an earphone, as shown and described.

DESCRIPTION

FIG. 1 is a front, right side, top perspective view of an earphone showing my new design;
FIG. 2 is a rear, left side, bottom perspective view thereof;
FIG. 3 is a front elevational view thereof;
FIG. 4 is a rear elevational view thereof;
FIG. 5 is a left side elevational view thereof;
FIG. 6 is a right side elevational view thereof;
FIG. 7 is a top plan view thereof; and,
FIG. 8 is a bottom plan view thereof.
The broken lines depict portions of the earphone that form no part of the claimed design.

1 Claim, 8 Drawing Sheets



(56)

References Cited

U.S. PATENT DOCUMENTS

D636,763 S * 4/2011 Walter D14/223
 D640,242 S * 6/2011 Fahrendorff D14/223
 D655,695 S * 3/2012 Hanks D14/223
 D664,125 S * 7/2012 Koch D14/223
 D664,522 S * 7/2012 Chen D14/223
 D664,950 S * 8/2012 Rye D14/223
 8,285,208 B2 * 10/2012 Terlizzi H04M 1/6058
 455/41.2
 D673,531 S * 1/2013 Lee D14/223
 D693,796 S * 11/2013 Birger D14/223
 D707,659 S * 6/2014 Henning D14/223
 8,908,899 B1 * 12/2014 Yang H04R 1/1033
 381/384
 D746,267 S * 12/2015 Birger D14/223
 9,301,307 B1 * 3/2016 Park H04L 1/0003
 D803,184 S * 11/2017 Loh Jun Kern D14/205
 D832,824 S * 11/2018 Kim D14/223
 D847,794 S * 5/2019 Guo D14/223

D848,982 S * 5/2019 Kim D14/223
 D848,983 S * 5/2019 Kim D14/223
 D853,359 S * 7/2019 Guo
 D863,262 S * 10/2019 Roberts D14/223
 D864,165 S * 10/2019 Roberts D14/223
 D864,169 S * 10/2019 Min D14/223
 D864,919 S * 10/2019 Bonahoom et al.
 D868,752 S * 12/2019 Zhu
 D872,063 S * 1/2020 Arimoto
 D872,711 S * 1/2020 Hu D14/223
 D873,805 S * 1/2020 Yang et al.
 D879,074 S * 3/2020 Komiya et al.
 D883,260 S * 5/2020 Hu
 D885,373 S * 5/2020 Lundbäck
 D889,436 S * 7/2020 Zhang D14/223
 D890,138 S * 7/2020 Peng D14/223
 D893,462 S * 8/2020 Liu D14/223
 D895,579 S * 9/2020 Yang D14/223
 D895,582 S * 9/2020 Wu D14/223
 D905,018 S * 12/2020 Zhu D14/223

* cited by examiner

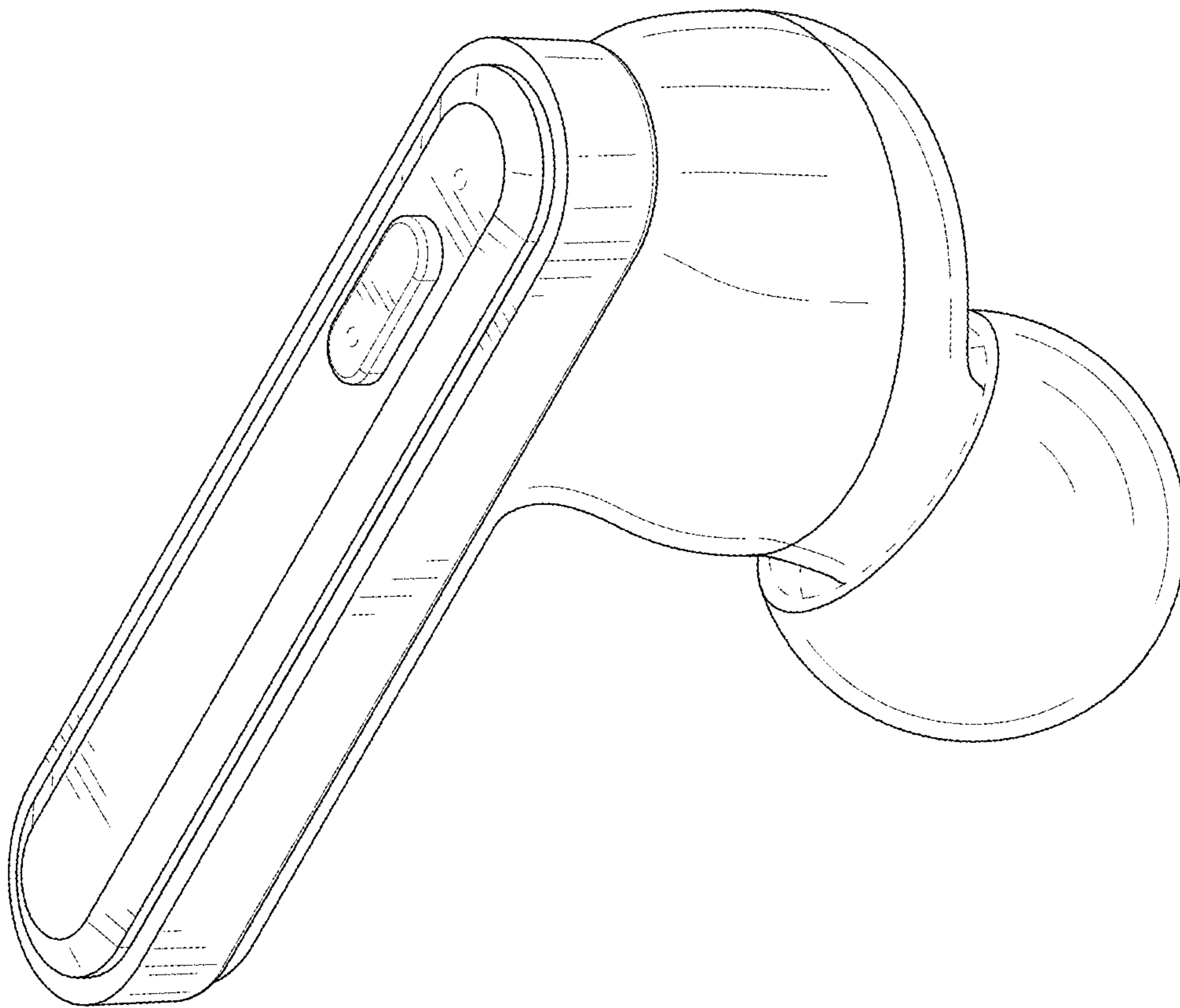


FIG. 1

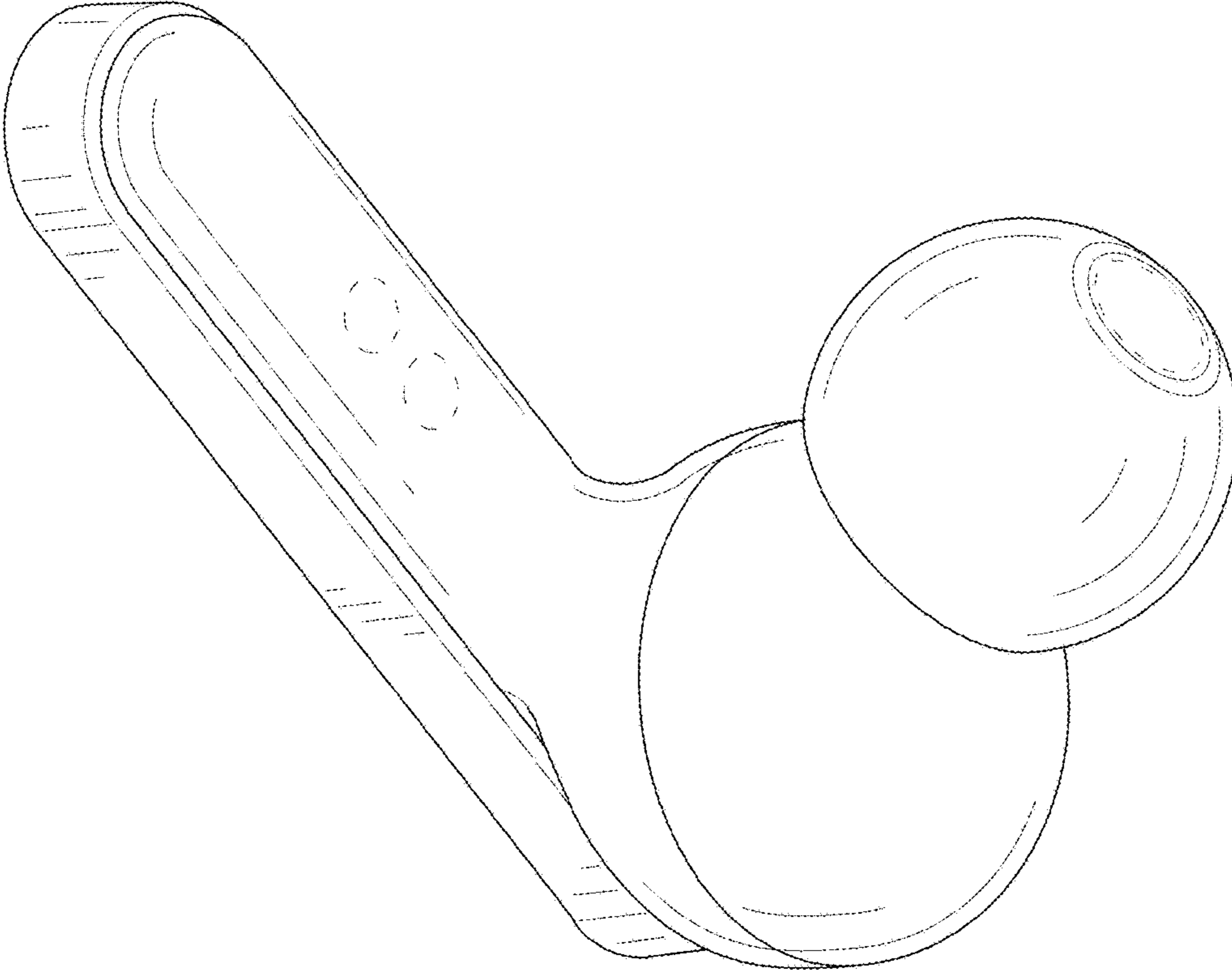


FIG. 2

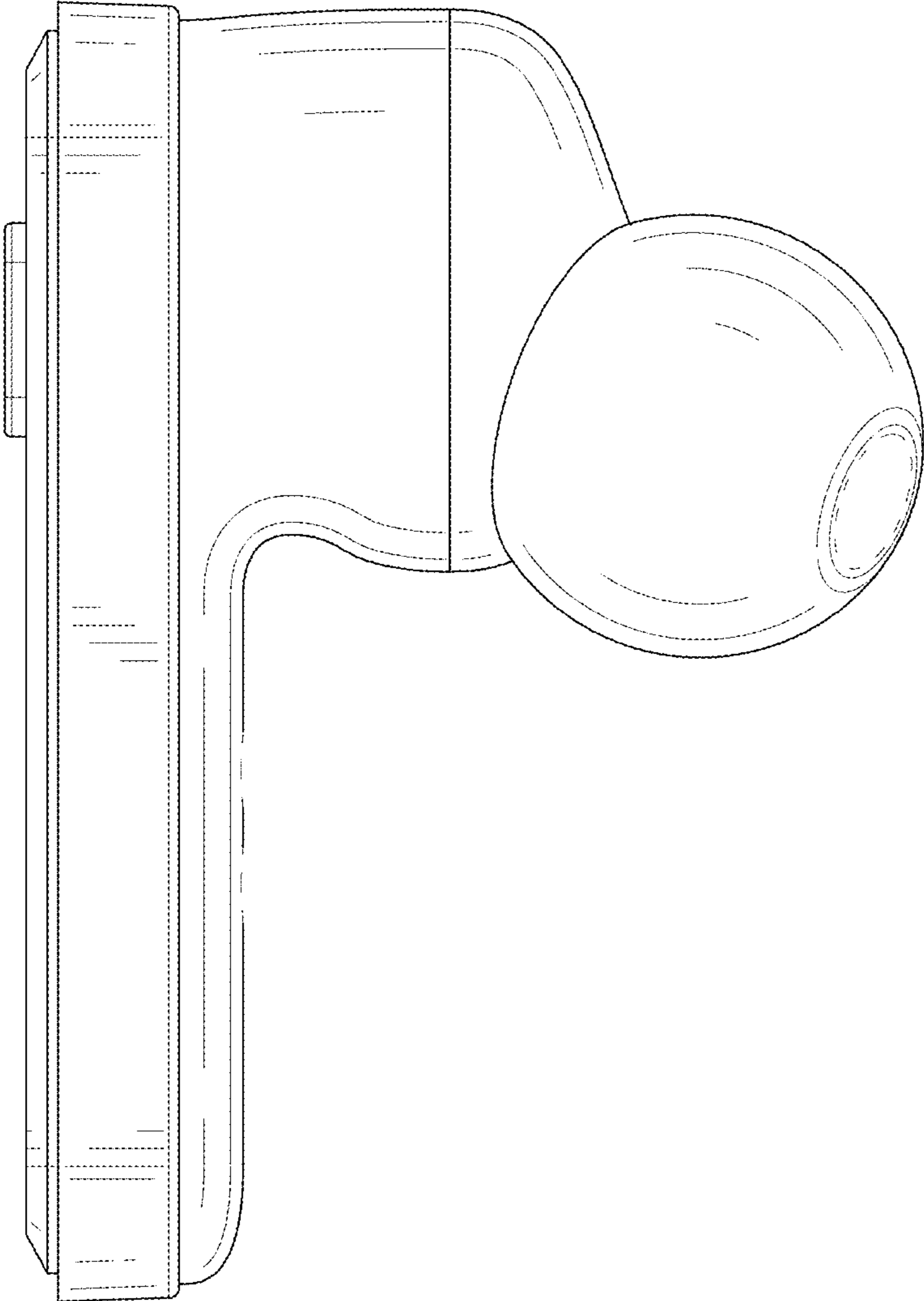


FIG. 3

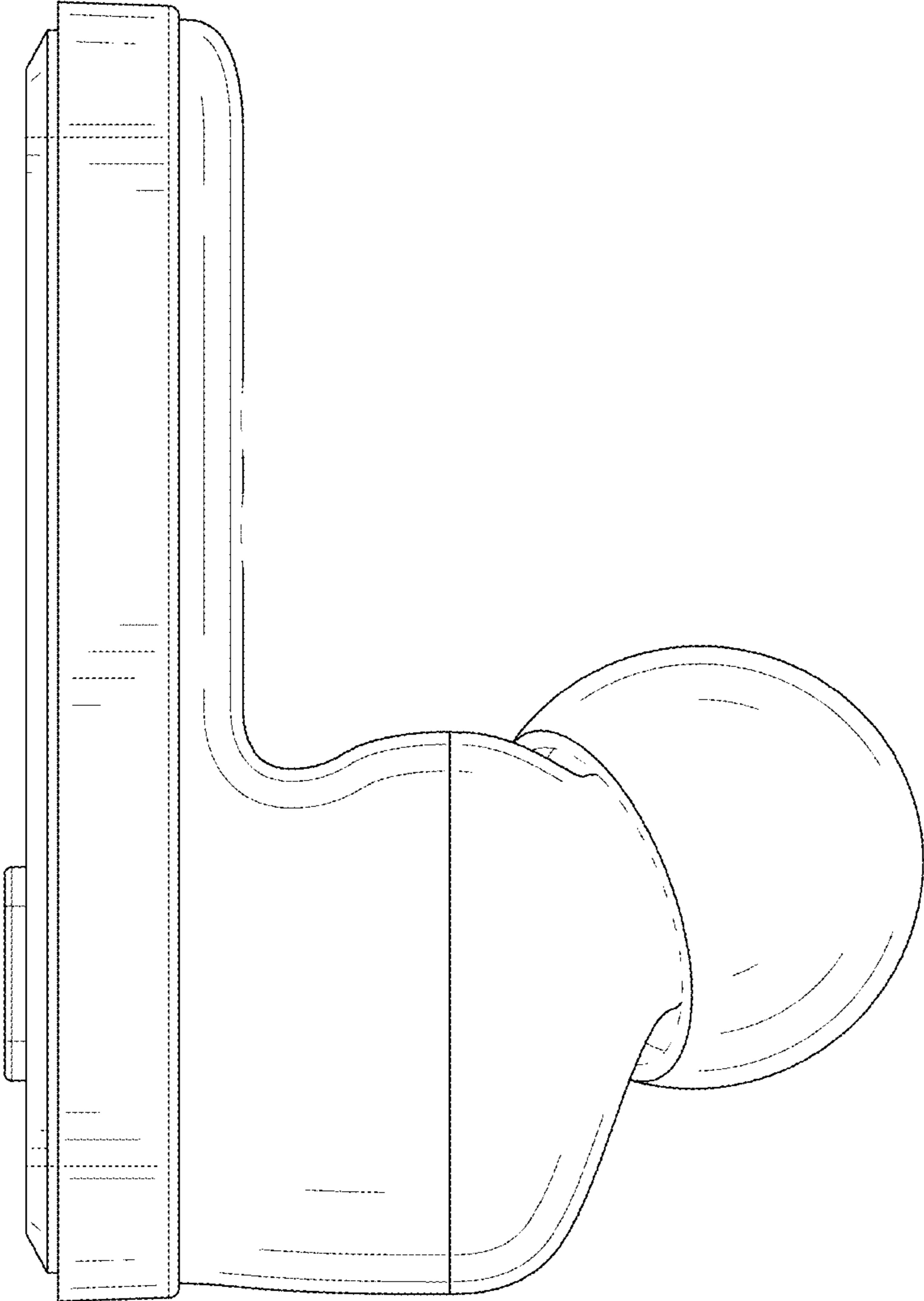


FIG. 4

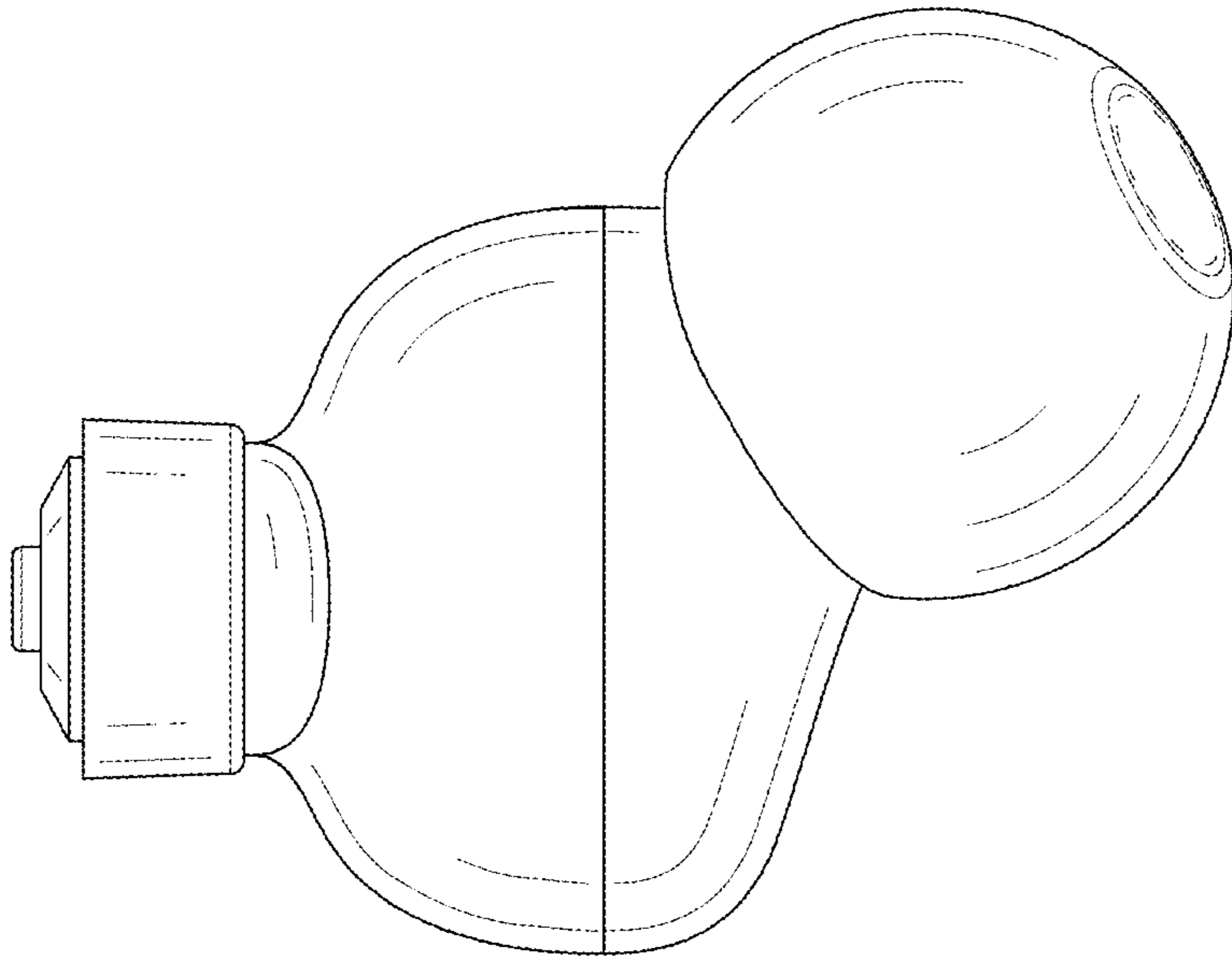


FIG. 5

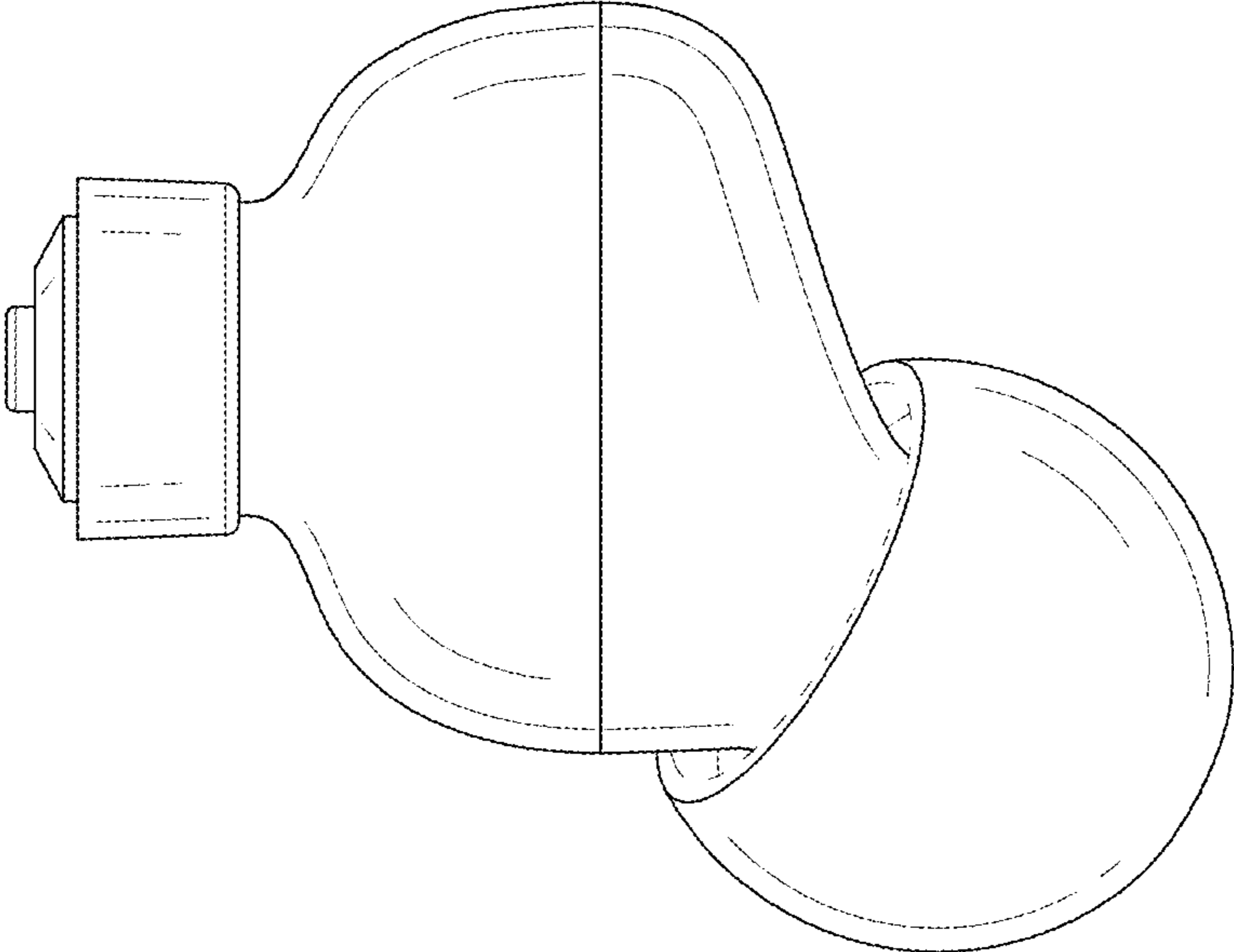


FIG. 6

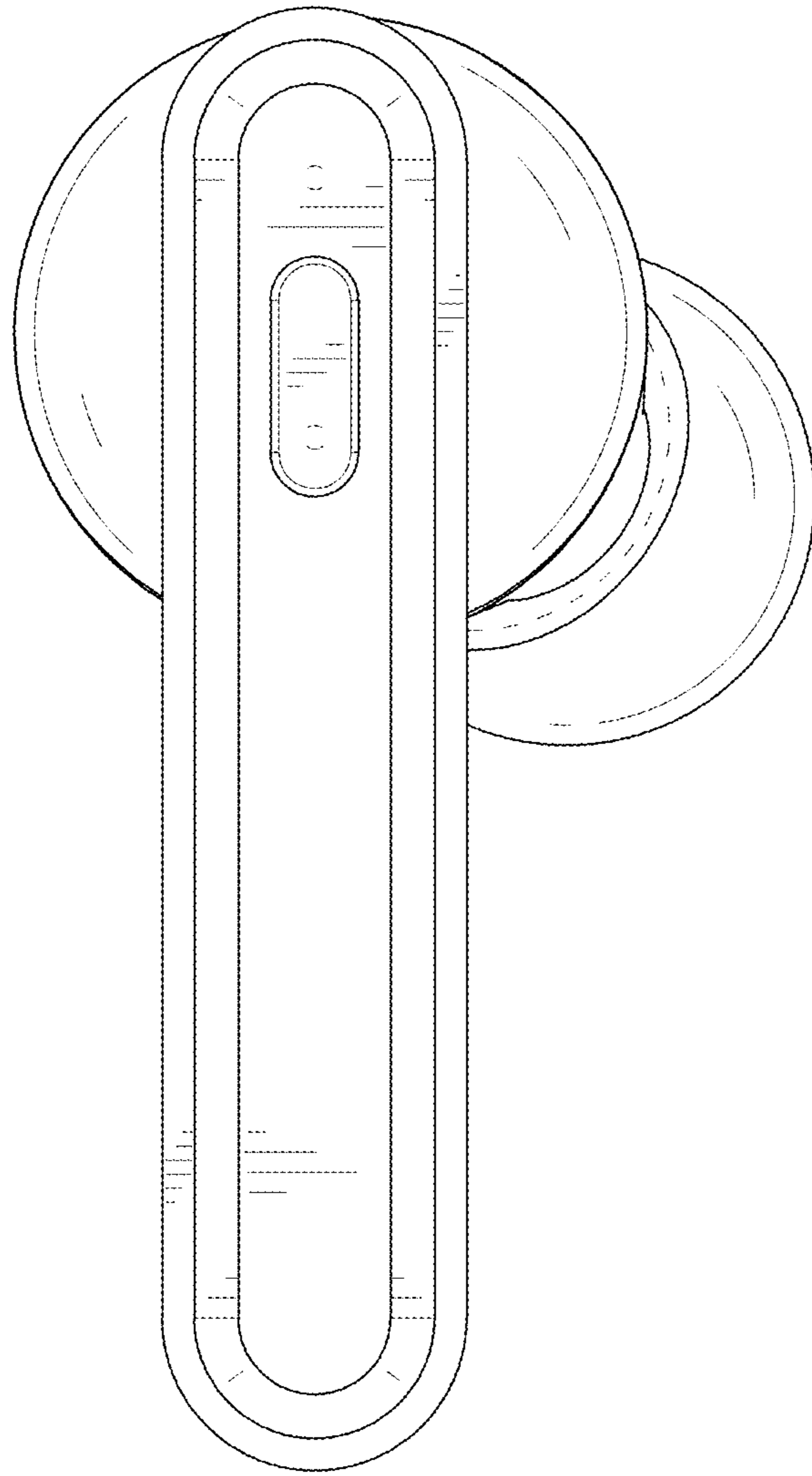


FIG. 7

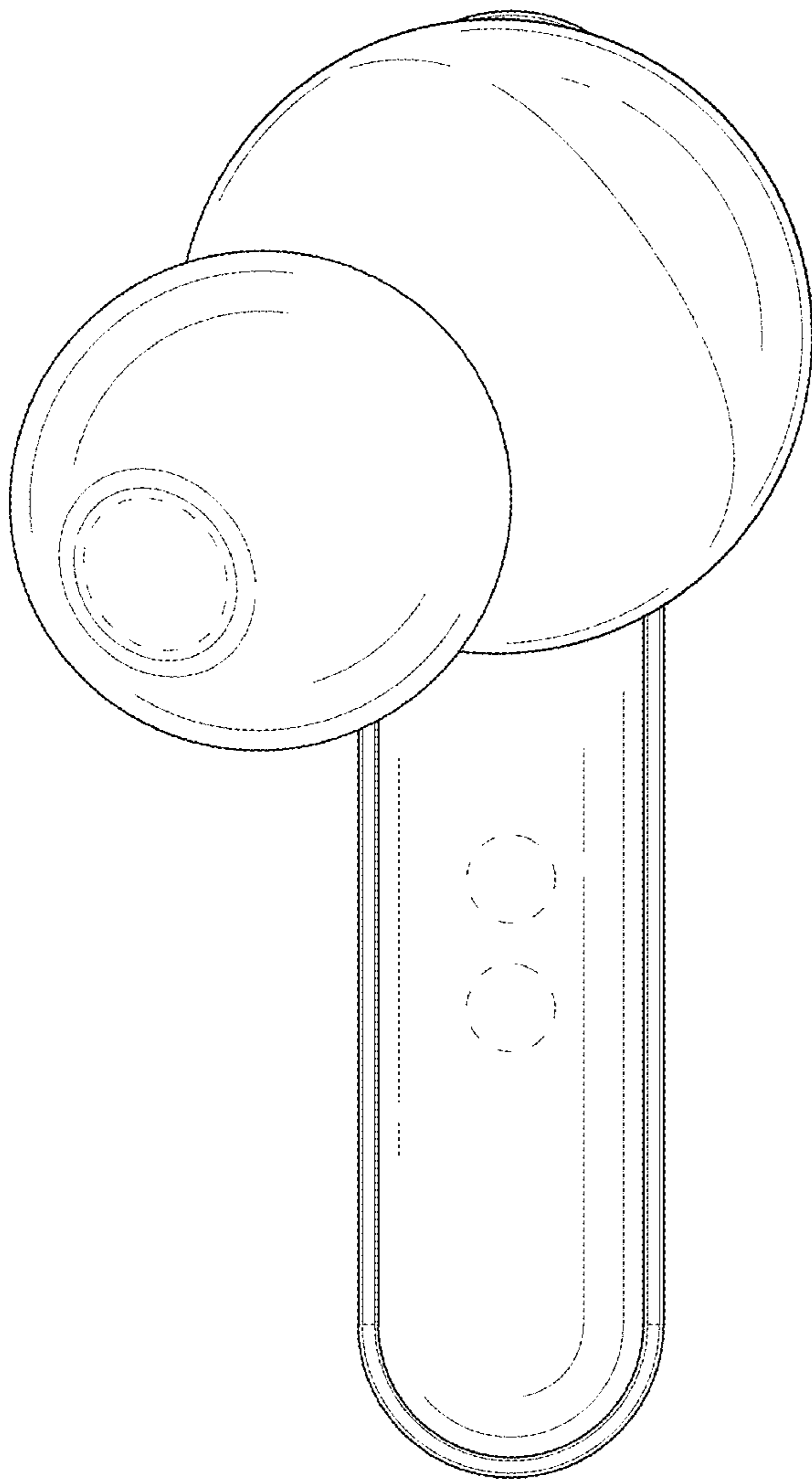


FIG. 8