



US00D916683S

(12) **United States Design Patent**
Yao et al.

(10) **Patent No.:** **US D916,683 S**
(45) **Date of Patent:** **** Apr. 20, 2021**

(54) **EARPHONE**

(71) Applicant: **Aukey Technology Co., Ltd**, Shenzhen (CN)

(72) Inventors: **Meiquan Yao**, Shenzhen (CN);
Haizhuan Lu, Shenzhen (CN)

(73) Assignee: **Aukey Technology Co., Ltd**, Shenzhen (CN)

(**) Term: **15 Years**

(21) Appl. No.: **29/652,065**

(22) Filed: **Apr. 29, 2020**

(51) **LOC (13) Cl.** **14-01**

(52) **U.S. Cl.**
USPC **D14/223**

(58) **Field of Classification Search**
USPC ... D14/205, 207, 217, 221, 223, 224, 224.1,
D14/225; D24/173, 174
CPC H04R 1/10; H04R 1/1016; H04R 1/1066;
H04R 1/105; H04R 1/1033; H04R 1/08;
H04R 5/033; H04R 5/0335; H04R 25/00
See application file for complete search history.

(56) **References Cited**

U.S. PATENT DOCUMENTS

D733,101 S *	6/2015	Pi	D14/223
D770,412 S *	11/2016	Son	D14/205
D847,794 S *	5/2019	Guo	D14/223
D865,720 S *	11/2019	Deng	D14/223
D869,445 S *	12/2019	Hu	D14/223
D875,713 S *	2/2020	Kim	D14/205
D877,722 S *	3/2020	Yang	D14/223
D878,337 S *	3/2020	Yang	D14/223
D882,553 S *	4/2020	Wu	D14/223
D883,960 S *	5/2020	Du	D14/223
D889,437 S *	7/2020	Ando	D14/223
D889,439 S *	7/2020	Hsieh	D14/223
D889,440 S *	7/2020	Yan	D14/223

D890,138 S *	7/2020	Peng	D14/223
D890,724 S *	7/2020	Li	D14/223
D894,875 S *	9/2020	Zhao	D14/223

(Continued)

FOREIGN PATENT DOCUMENTS

CN	306046664	*	9/2020
CN	306248864	*	12/2020

OTHER PUBLICATIONS

Soundstream True Bass Hi-Fi Stereo Earphone, no announcement date [online], retrieved Jan. 28, 2019, retrieved from internet, <https://www.aukey.com/products/move-compact-ii-mini-true-wireless-bluetooth-5-earbuds>.*

(Continued)

Primary Examiner — Dana K Weiland
Assistant Examiner — Messina L Smith
(74) *Attorney, Agent, or Firm* — Westbridge IP LLC

(57) **CLAIM**

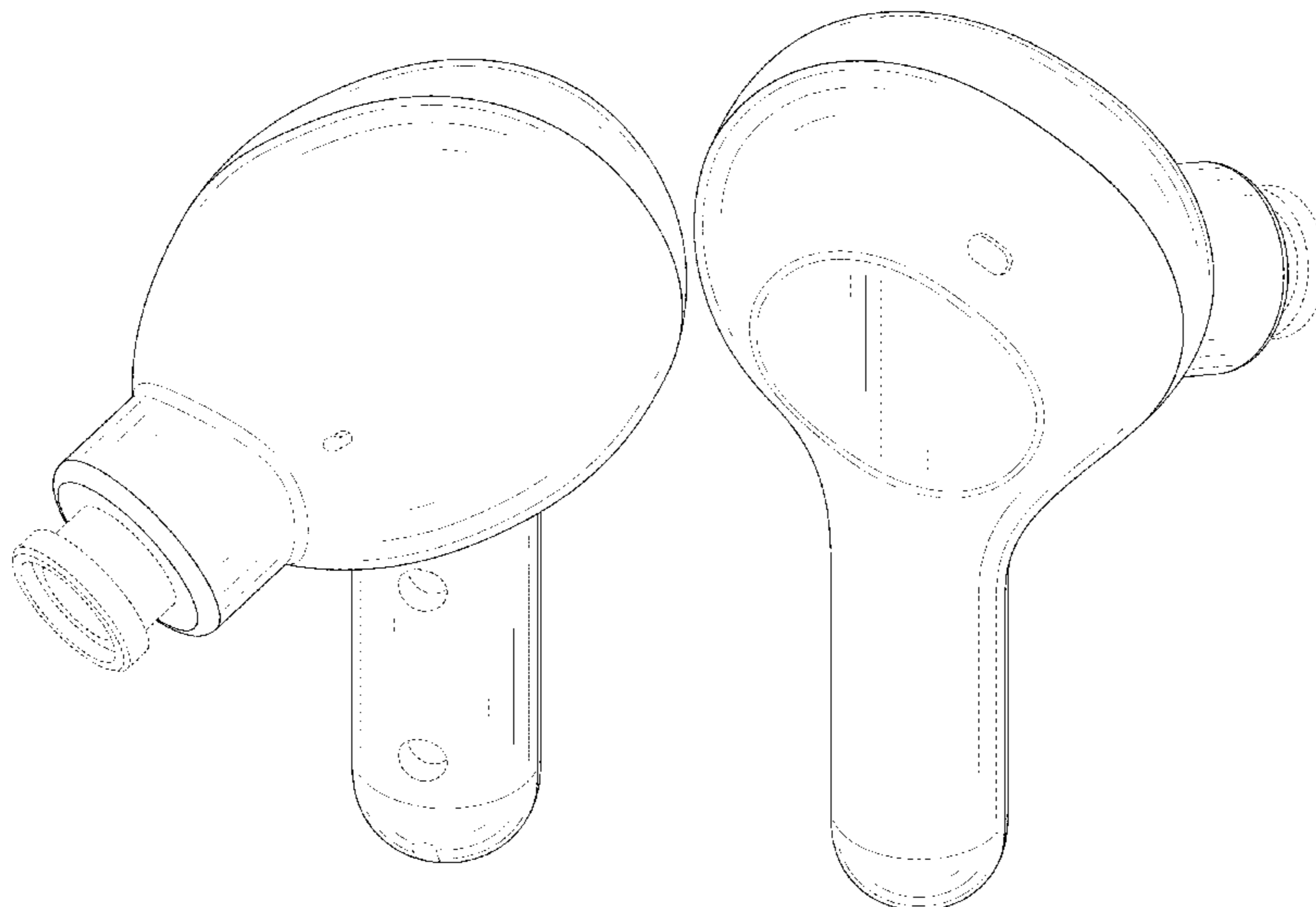
The ornamental design for an earphone, as shown and described.

DESCRIPTION

FIG. 1 is a front perspective view of an earphone showing our new design;
FIG. 2 is a rear perspective view thereof;
FIG. 3 is a front elevational view thereof;
FIG. 4 is a rear elevational view thereof;
FIG. 5 is a left side view thereof;
FIG. 6 is a right side view thereof;
FIG. 7 is a top plan view thereof;
FIG. 8 is a bottom plan view thereof; and,
FIG. 9 is a front perspective view of the earphone with an earplug cap.

The broken lines in the drawings illustrate portions of the earphone that form no part of the claimed design. The earplug cap shown in FIG. 9 depicts environment that forms no part of the claimed design.

1 Claim, 9 Drawing Sheets



(56)

References Cited

U.S. PATENT DOCUMENTS

D895,579 S * 9/2020 Yang D14/223
 D895,582 S * 9/2020 Wu D14/223
 D896,206 S * 9/2020 Xu D14/223
 D896,207 S * 9/2020 He D14/223
 D896,788 S * 9/2020 Akana D14/223
 D901,457 S * 11/2020 Zhang D14/223
 D903,639 S * 12/2020 Yang D14/223
 D904,351 S * 12/2020 Zhang D14/223
 D905,018 S * 12/2020 Zhu D14/223
 D905,019 S * 12/2020 Liu D14/223
 D905,020 S * 12/2020 Du D14/223
 D906,297 S * 12/2020 Akana D14/223
 D907,008 S * 1/2021 Yao D14/223
 D907,010 S * 1/2021 Akana D14/223
 D907,606 S * 1/2021 Lin D14/223
 D907,607 S * 1/2021 Deng D14/223
 D908,114 S * 1/2021 Jung D14/223
 2013/0083933 A1 * 4/2013 Aase H04R 1/1091
 381/58
 2021/0013917 A1 * 1/2021 McGaughey H04B 5/0006

OTHER PUBLICATIONS

Aukey True Wireless Earbuds, Bluetooth 5 Headphones, announced Nov. 2, 2020 [online], retrieved Jan. 28, 2019, retrieved from internet, <https://www.amazon.com/dp/B08MFC8884>.*

Tribit Active Noise Cancelling Bluetooth 5.0 Earbuds, announced Jul. 30, 2020 [online], retrieved Jan. 28, 2019, retrieved from internet, https://www.amazon.com/Tribit-Cancelling-Bluetooth-Waterproof-Headphones/dp/B089KM2XVG/ref=asc_df_B089KM2XVG/?tag=hyprod-20&linkCode=df0&hvadid=459477192655&hvpos=&hvnetw=g&hvr.*

EarFun Air True Wireless Earbuds, announced Jun. 30, 2020 [online], retrieved Jan. 28, 2019, retrieved from internet, https://www.amazon.com/EarFun-Wireless-Bluetooth-Detection-Headphones/dp/B08B4QSSPS/ref=bx_6?pd_rd_w=5Z2W9&pf_rd_p=82aca571-3653-4c76-afa2-d596d18861b7&pf_rd_r=NNW2M6FAZ4N9VMSN9RB6&pd_rd_r=1f33fb.*

Key Series T18Nc Active Noise-Cancelling True Wireless Earbuds Hi-Fi Quality Sound, announced @ 2021 [online], retrieved Jan. 28, 2019, retrieved from internet, https://electroeshop.com/index.php?route=product/product&product_id=759298.*

* cited by examiner

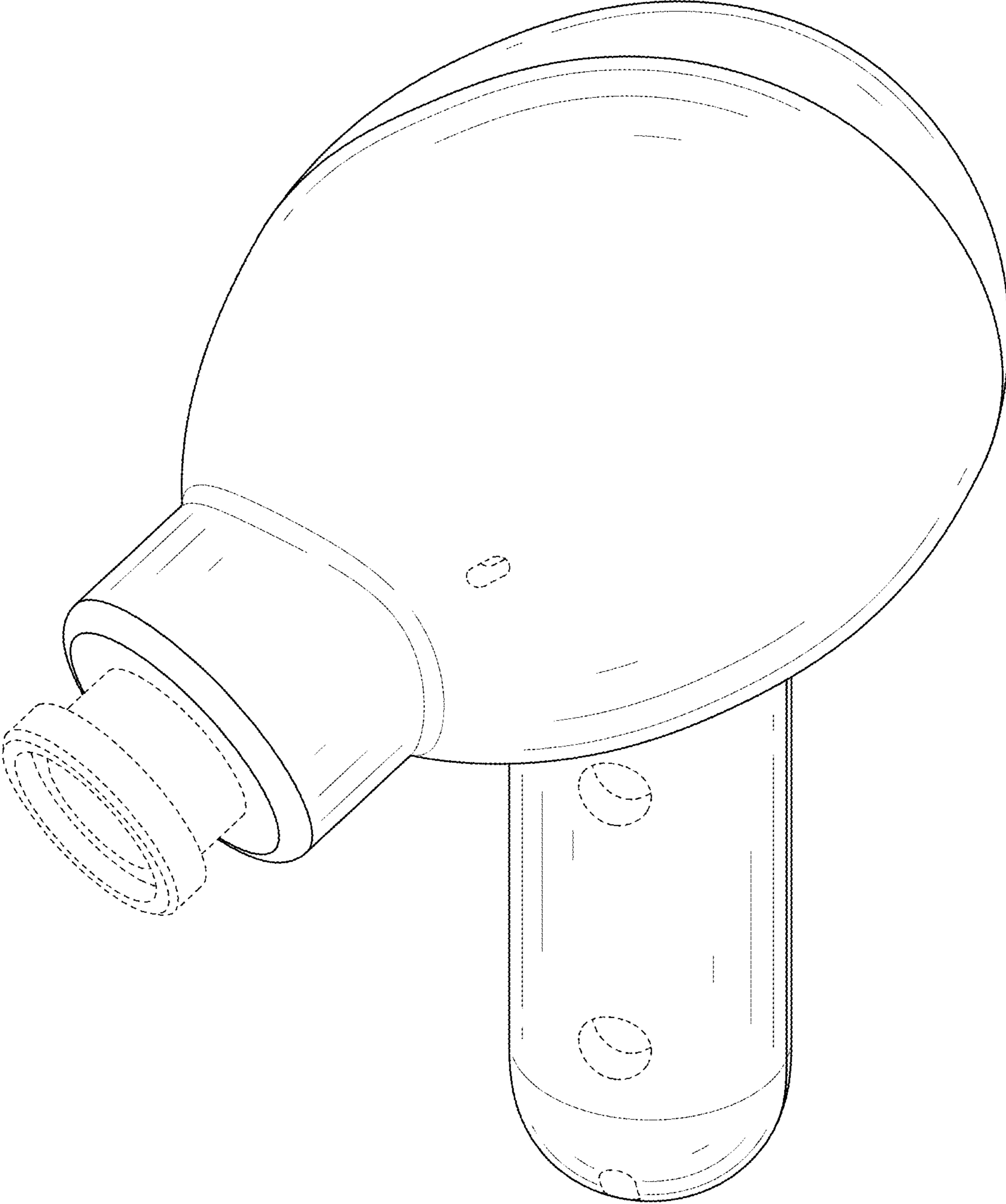


FIG. 1

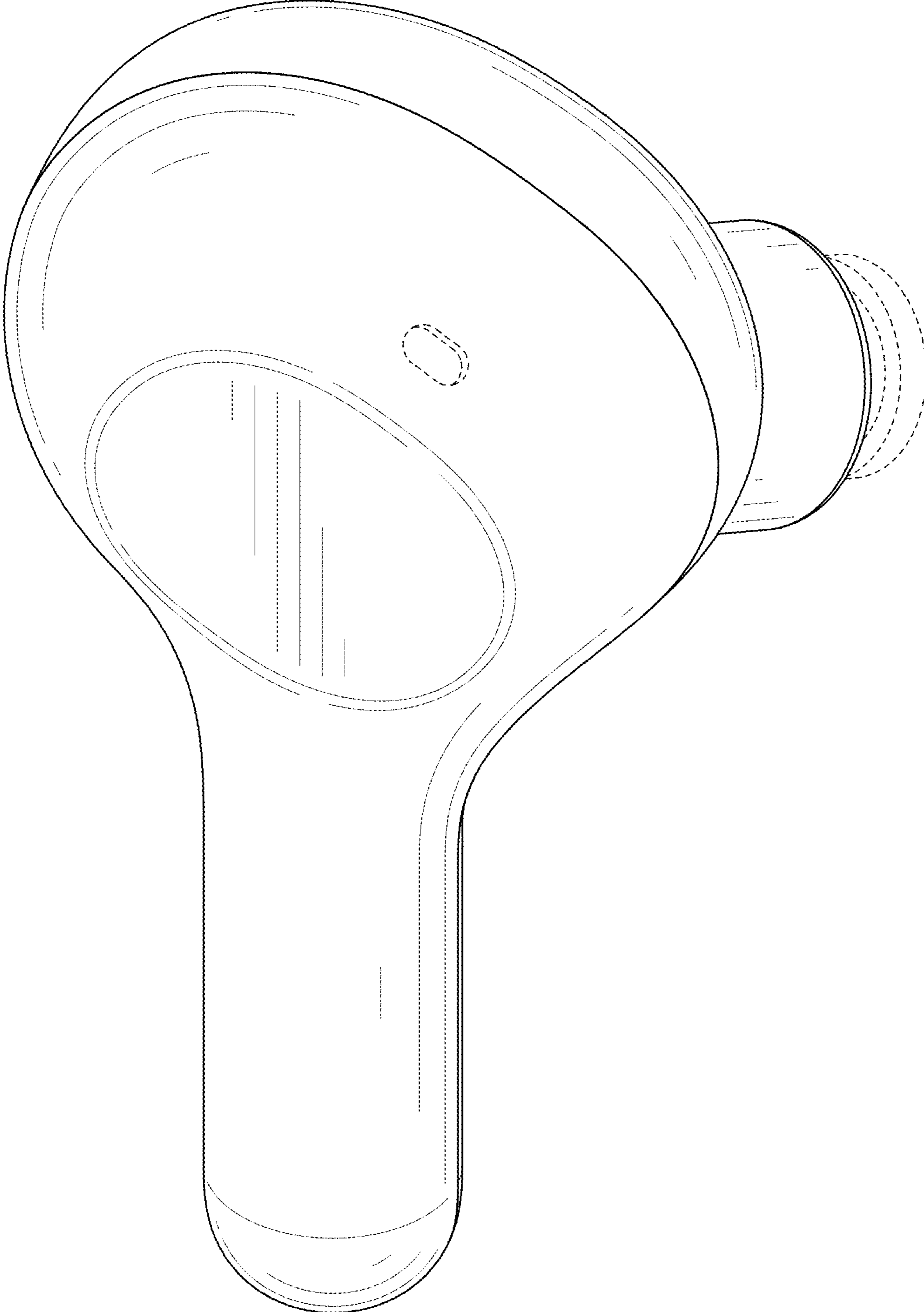


FIG. 2

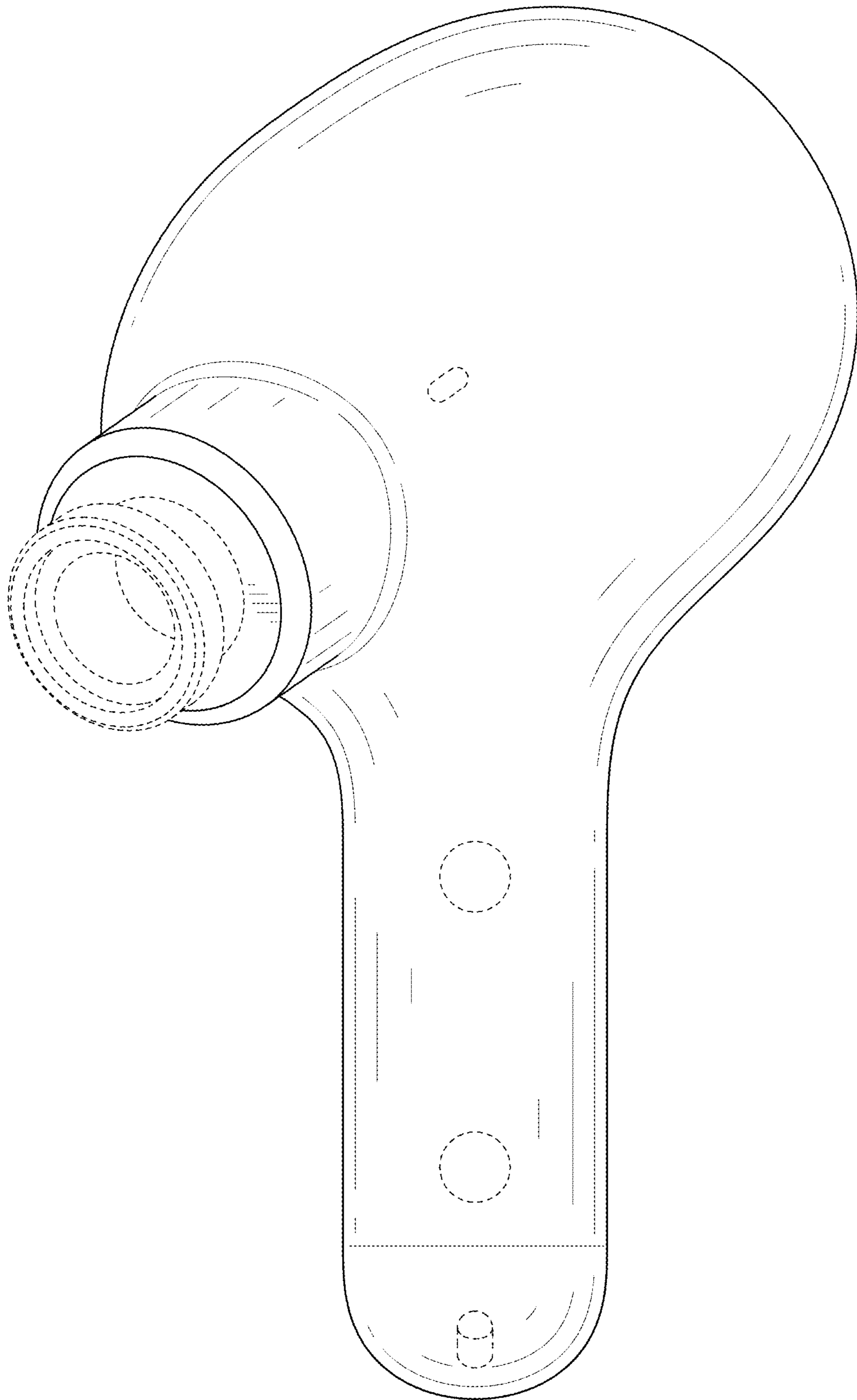


FIG. 3

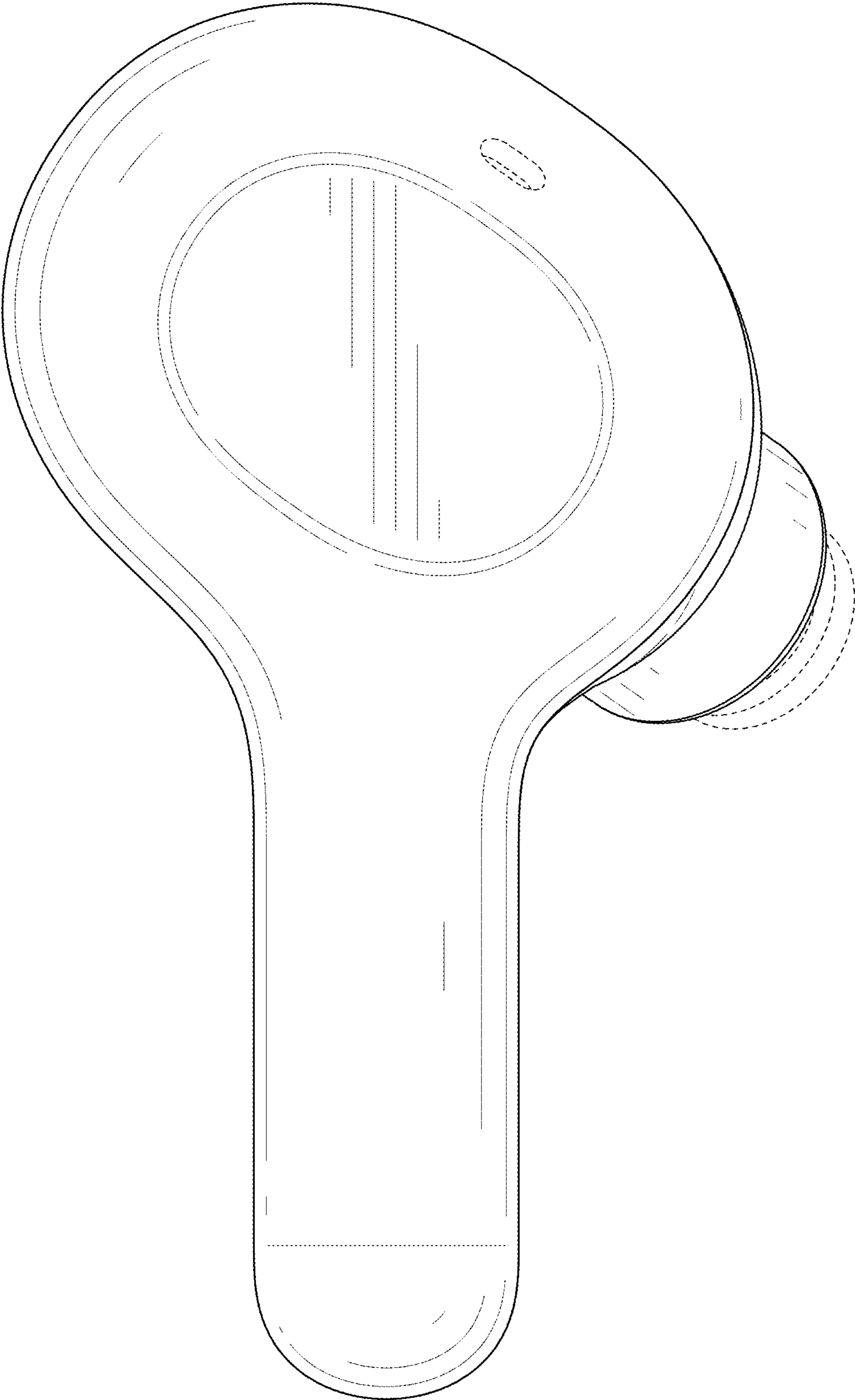


FIG. 4

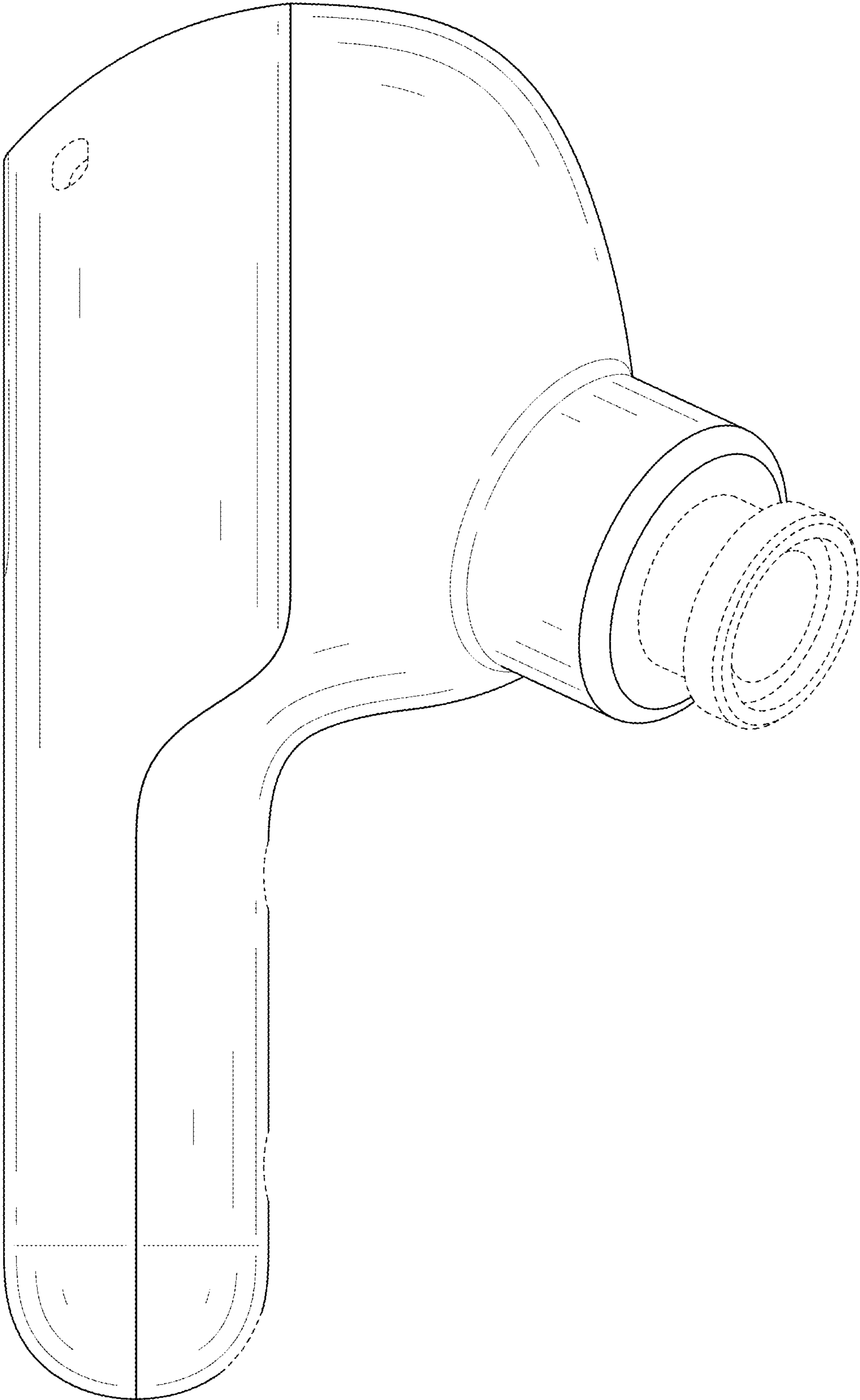


FIG. 5

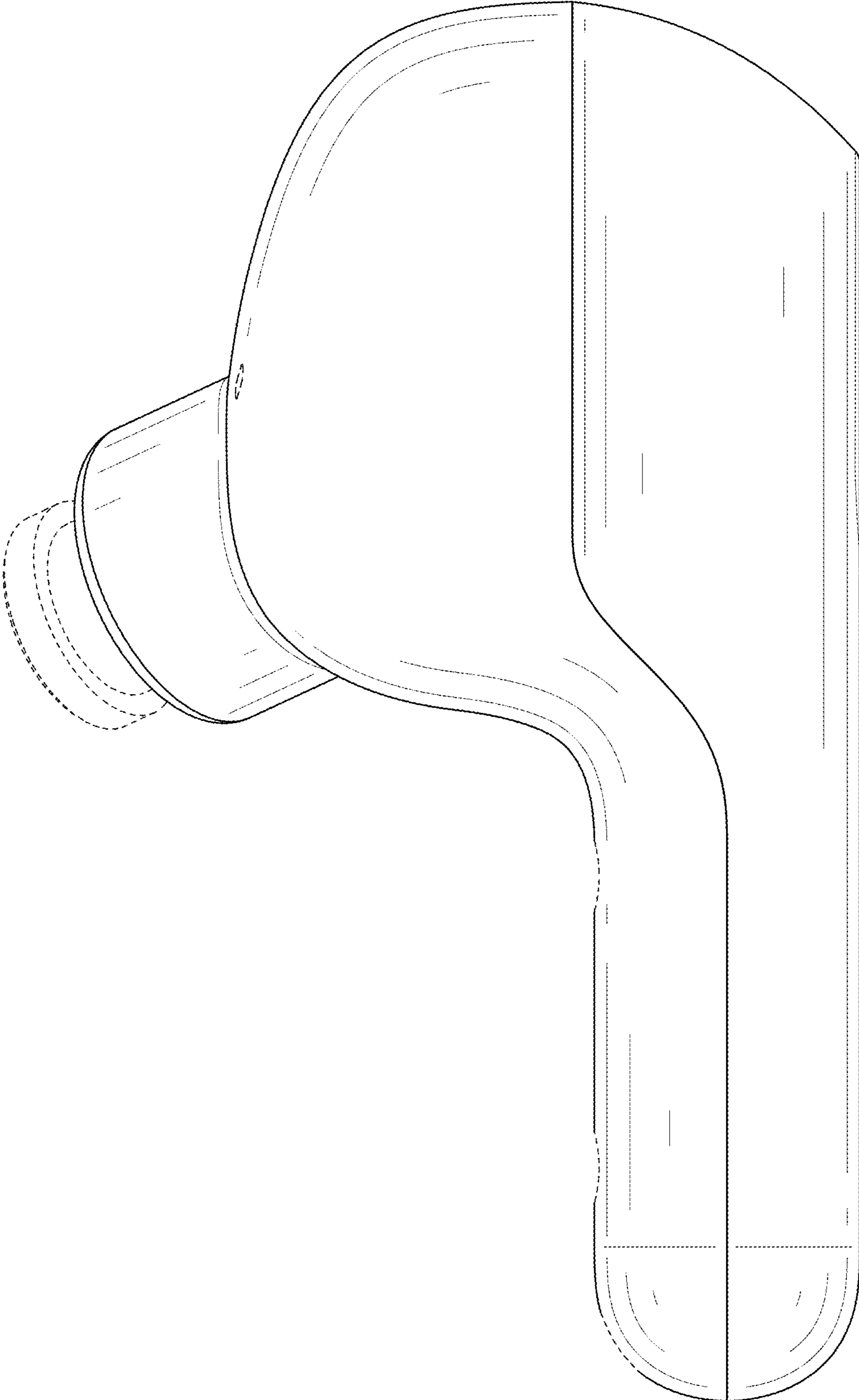


FIG. 6

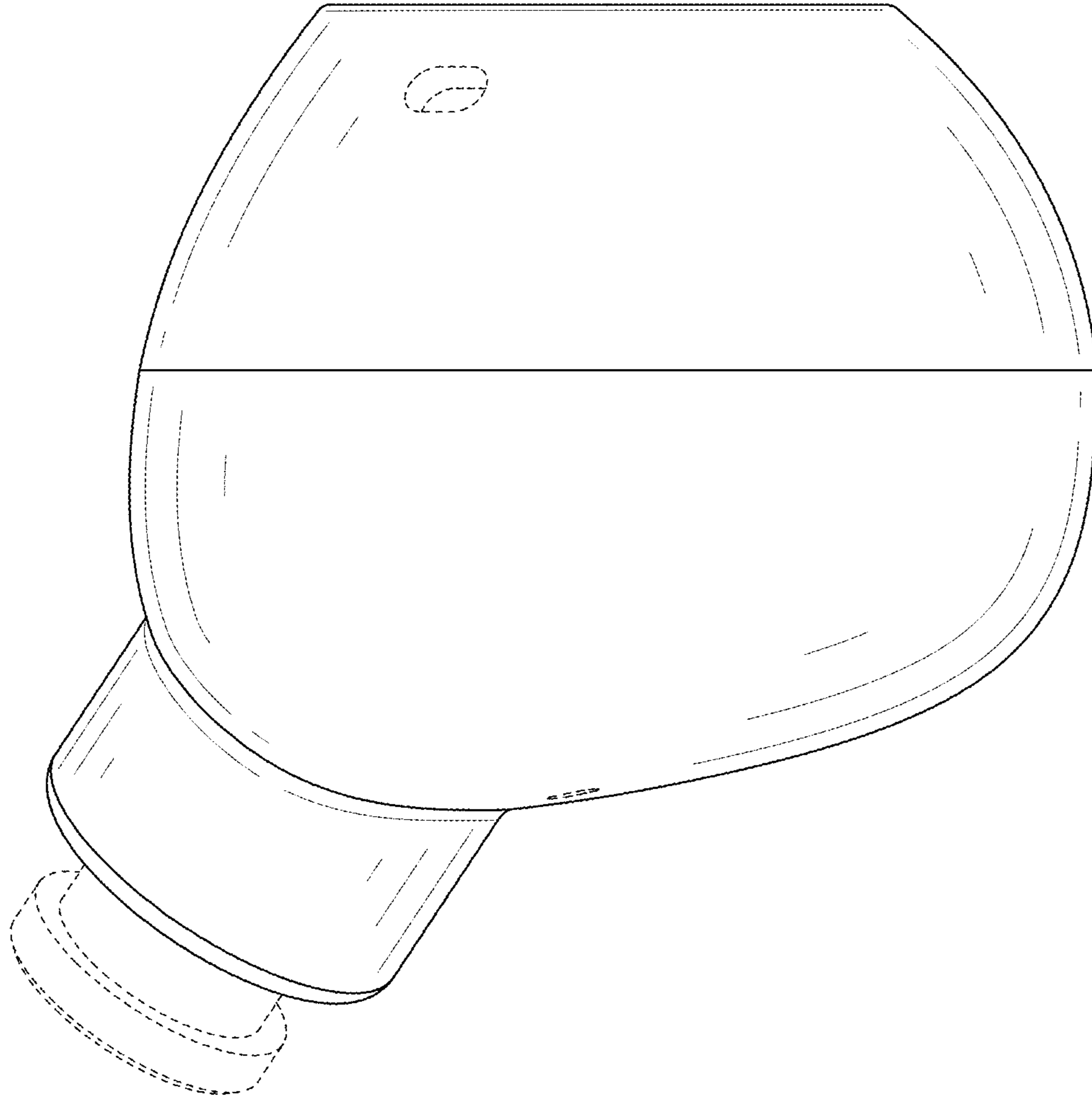


FIG. 7



FIG. 8

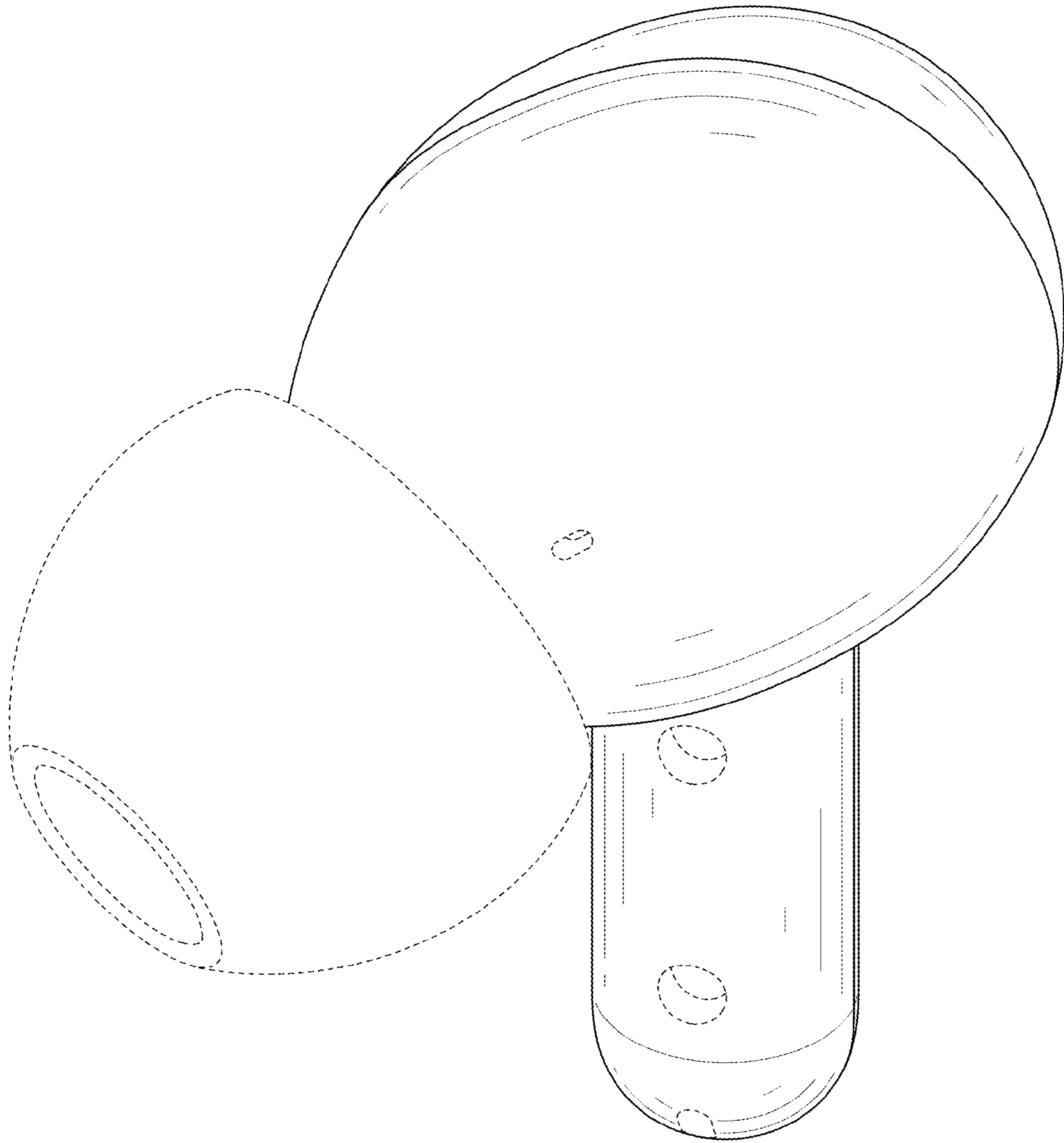


FIG. 9