



US00D916682S

(12) **United States Design Patent**
Valeur

(10) **Patent No.:** **US D916,682 S**
(45) **Date of Patent:** **** Apr. 20, 2021**

(54) **MOVABLE SOUNDBAR FOR A TELEVISION**

(71) Applicant: **Bang & Olufsen A/S**, Struer (DK)

(72) Inventor: **Torsten Valeur**, København S (DK)

(73) Assignee: **Bang & Olufsen A/S**, Struer (DK)

(**) Term: **15 Years**

(21) Appl. No.: **29/707,174**

(22) Filed: **Sep. 26, 2019**

(51) **LOC (13) Cl.** **14-01**

(52) **U.S. Cl.**

USPC **D14/214**

(58) **Field of Classification Search**

USPC D14/167, 168, 170–172, 188, 194–196,
D14/204, 209.1, 210–216, 219, 221, 222,
D14/224, 239, 496

CPC B60R 11/0217; G06F 1/1688; G10K 9/22;
G10K 11/004; H03F 1/327; H04M 1/03;
H04M 1/035; H04N 5/642; H04N
21/4852; H04R 1/02; H04R 1/06; H04R
1/021; H04R 1/025; H04R 1/026; H04R
1/028; H04R 1/105; H04R 1/323; H04R
1/403; H04R 1/2803; H04R 1/2834;
H04R 5/02; H04R 7/20; H04R 9/06;
H04R 9/025; H04R 2201/021; H04R
2400/00; H04R 2400/07; H04R 2499/11;
H04R 2499/13; H04R 2499/15; H04S
3/00; H04S 7/30

See application file for complete search history.

(56) **References Cited**

U.S. PATENT DOCUMENTS

D331,238 S * 11/1992 Lewis D14/168
D432,519 S * 10/2000 Yamaoka D14/172
D532,769 S * 11/2006 Harris, Jr. D14/168
D536,334 S * 2/2007 Park D14/214
D539,785 S * 4/2007 Zhang D14/215

D557,686 S * 12/2007 Tse D14/214
D561,172 S * 2/2008 Seo D14/211
D561,175 S * 2/2008 Zhang D14/214
D561,176 S * 2/2008 Zhang D14/216
D602,465 S * 10/2009 Mills D14/168
D666,170 S * 8/2012 Allen D14/211
D670,268 S * 11/2012 Allen D14/211

(Continued)

Primary Examiner — Keli L Hill

(74) *Attorney, Agent, or Firm* — Dykema Gossett PLLC

(57) **CLAIM**

The ornamental design for a moveable soundbar for a television, as shown and described.

DESCRIPTION

FIG. 1 is an isometric view of the top, front, and right side of a moveable soundbar for a television in a first configuration.

FIG. 2 is a front view of the moveable soundbar for a television of FIG. 1 in the first configuration.

FIG. 3 is an isometric, top, rear, and left side view of the moveable soundbar for a television of FIG. 1 in the first configuration.

FIG. 4 is a right side view of the moveable soundbar for a television of FIG. 1 in the first configuration.

FIG. 5 is a top view of the moveable soundbar for a television of FIG. 1 in a first configuration.

FIG. 6 is an isometric, top, front, and right side view of the moveable soundbar for a television of FIG. 1 in a second configuration.

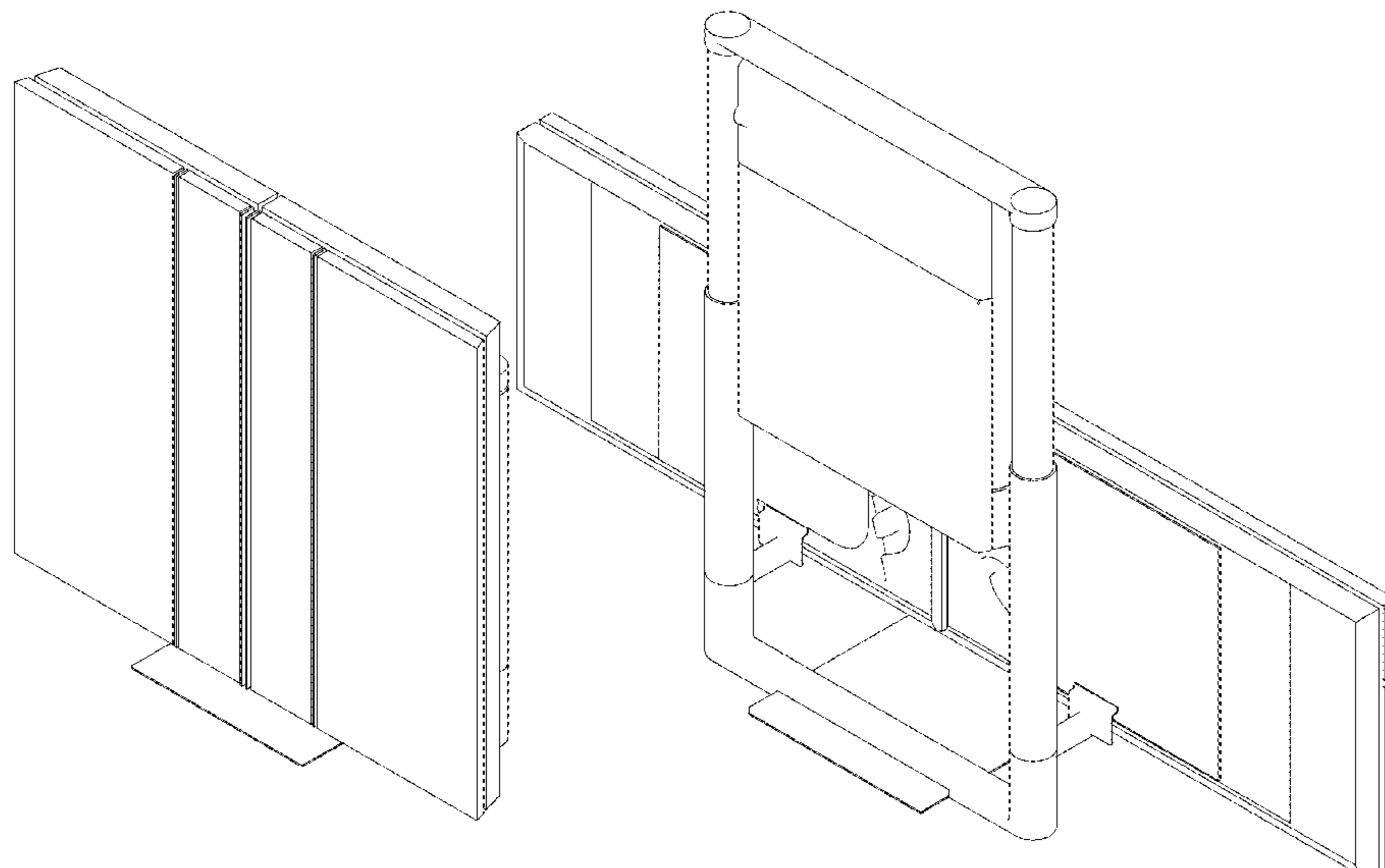
FIG. 7 is a front view of the moveable soundbar for a television of FIG. 1 in the second configuration.

FIG. 8 is a top, rear, and left side view of the moveable soundbar for a television of FIG. 1 in a second configuration.

FIG. 9 is a right side view of the moveable soundbar for a television of FIG. 1 in a second configuration; and,

FIG. 10 is a top view of the moveable soundbar for a television of FIG. 1 in the second configuration.

1 Claim, 10 Drawing Sheets



(56)

References Cited

U.S. PATENT DOCUMENTS

D681,606 S * 5/2013 Nishii D14/214
D880,474 S * 4/2020 Finckh D14/336

* cited by examiner

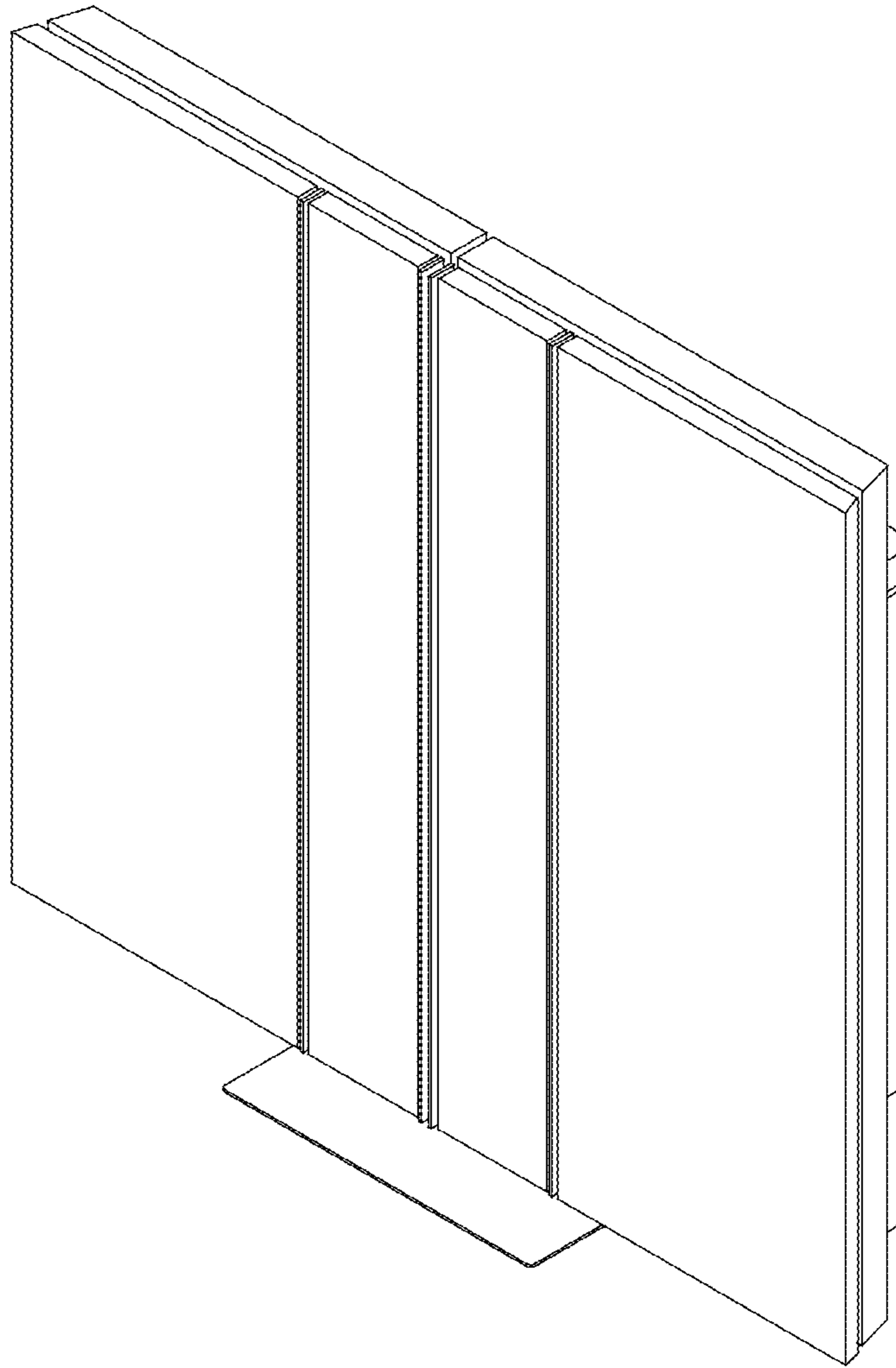


FIG. 1

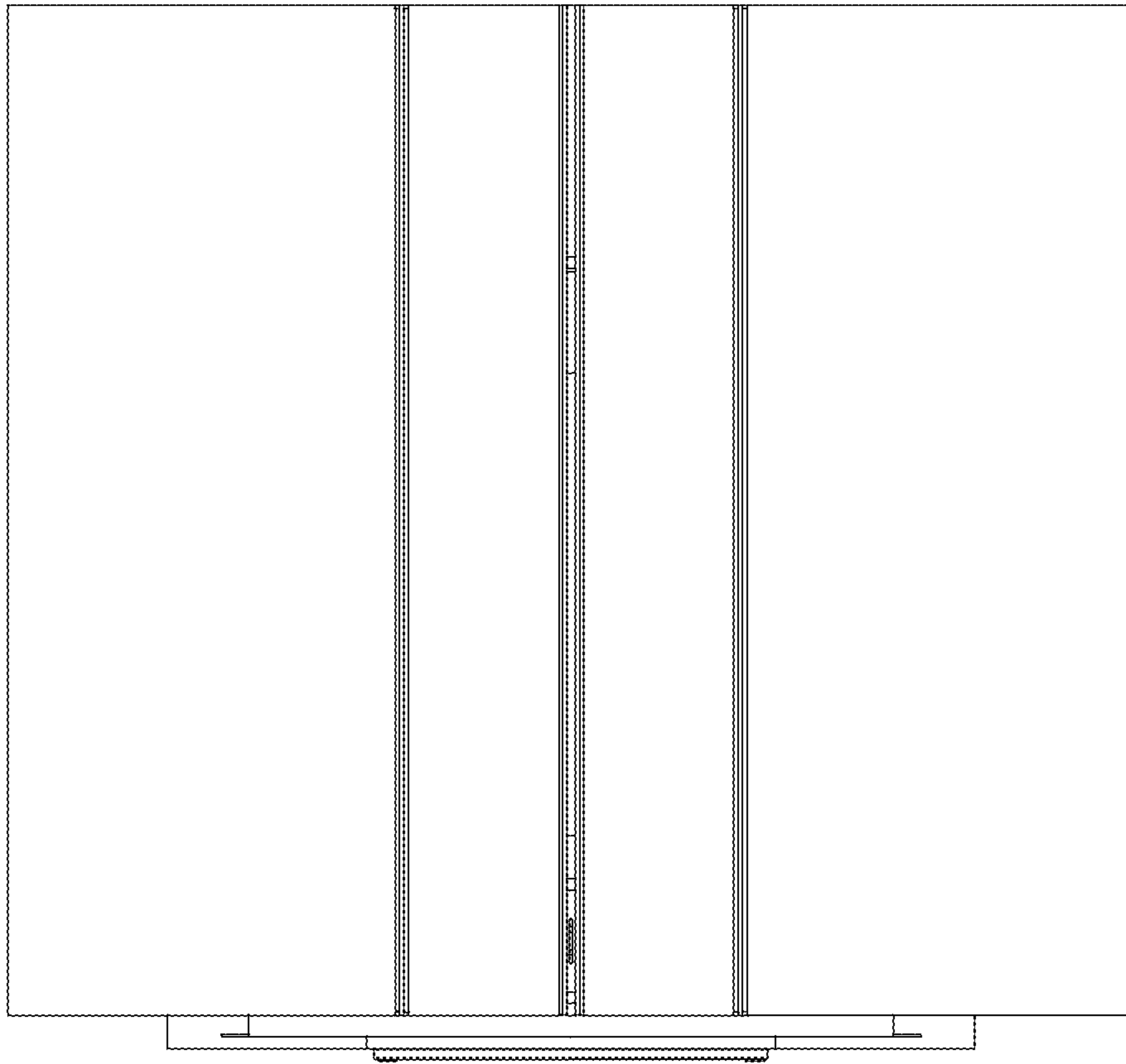


FIG. 2

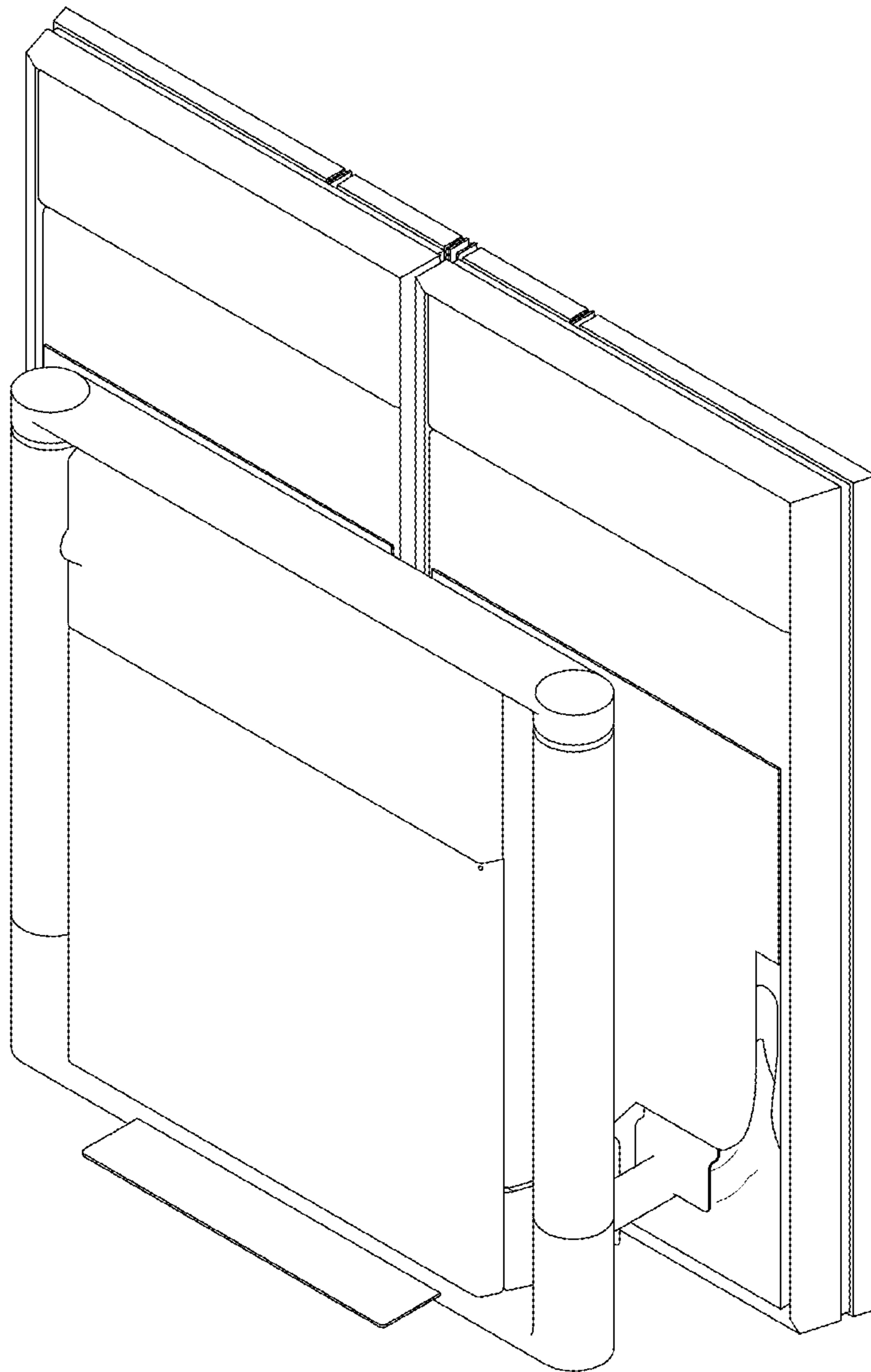


FIG. 3

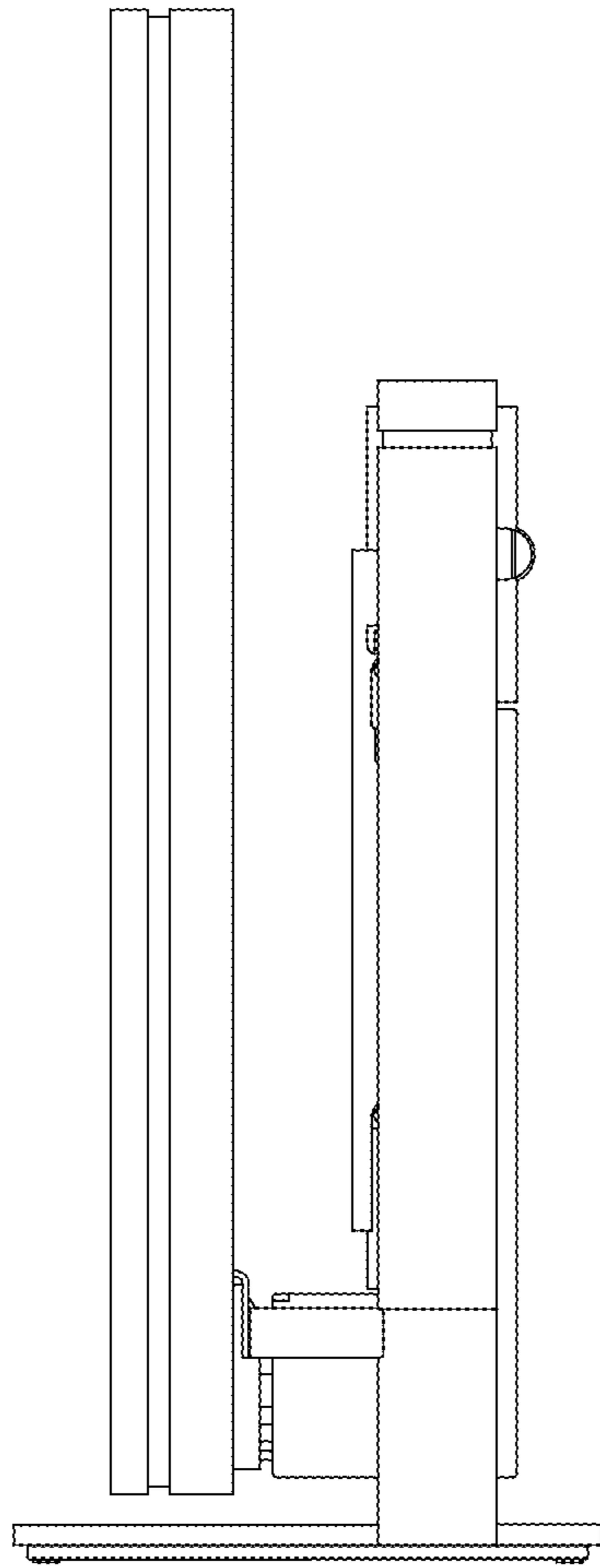


FIG. 4

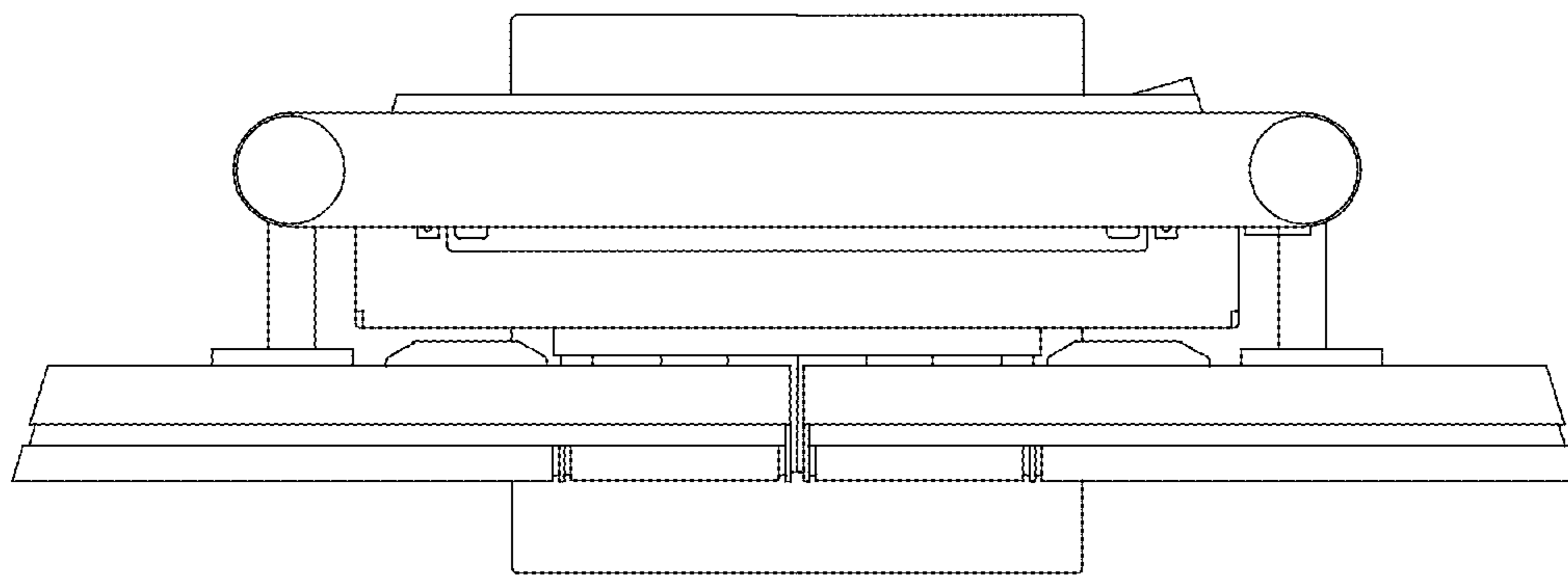


FIG. 5

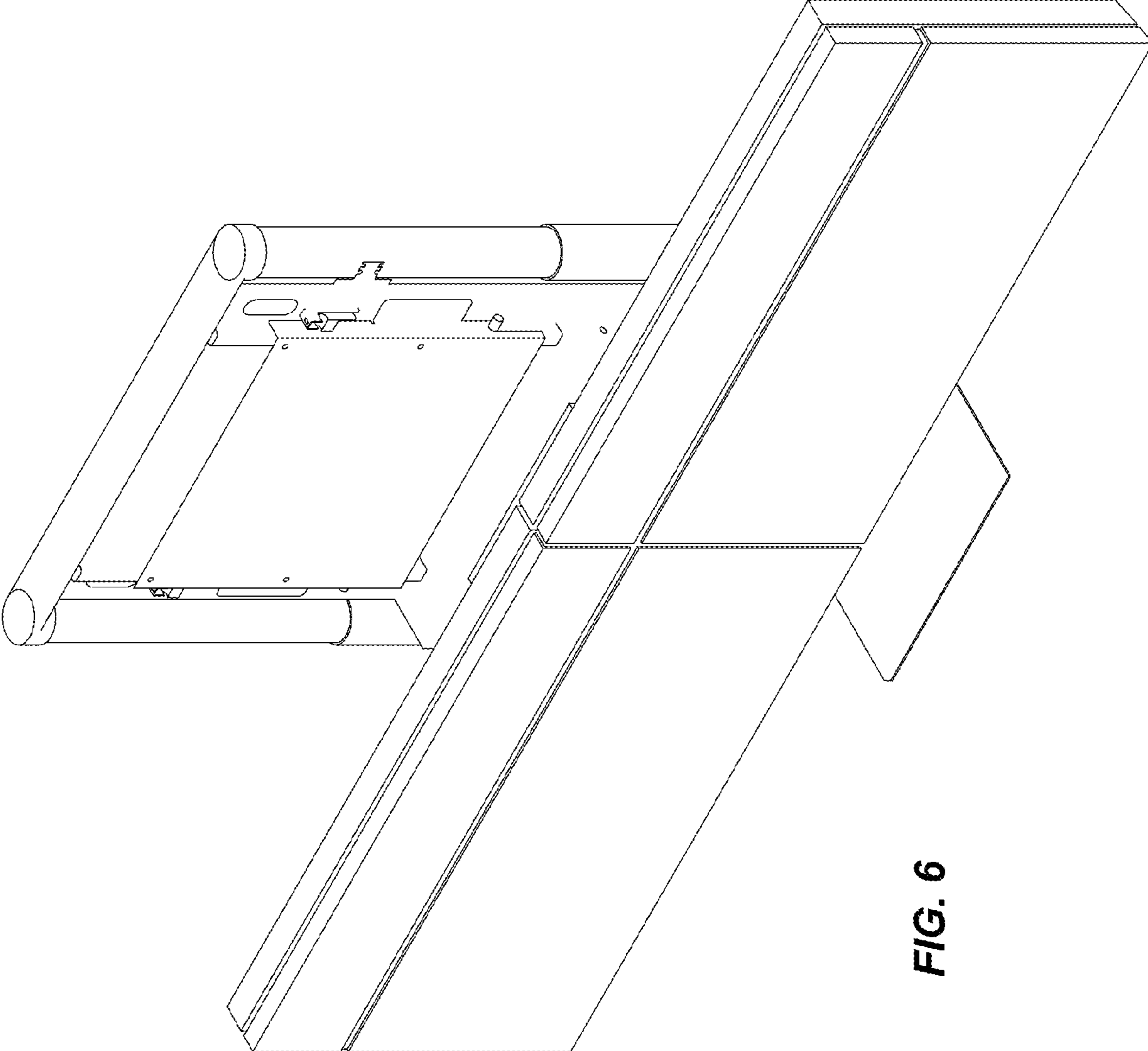


FIG. 6

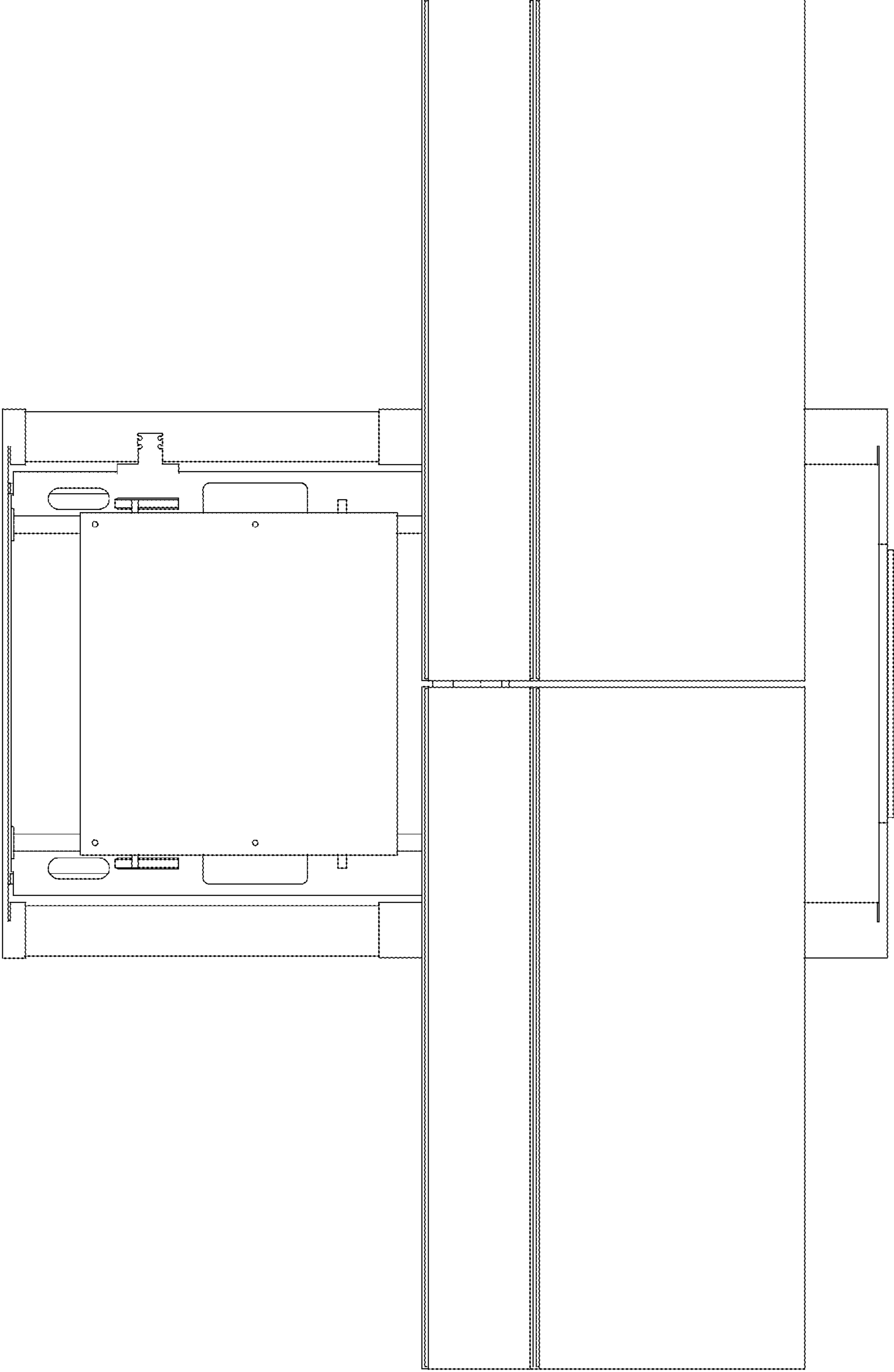
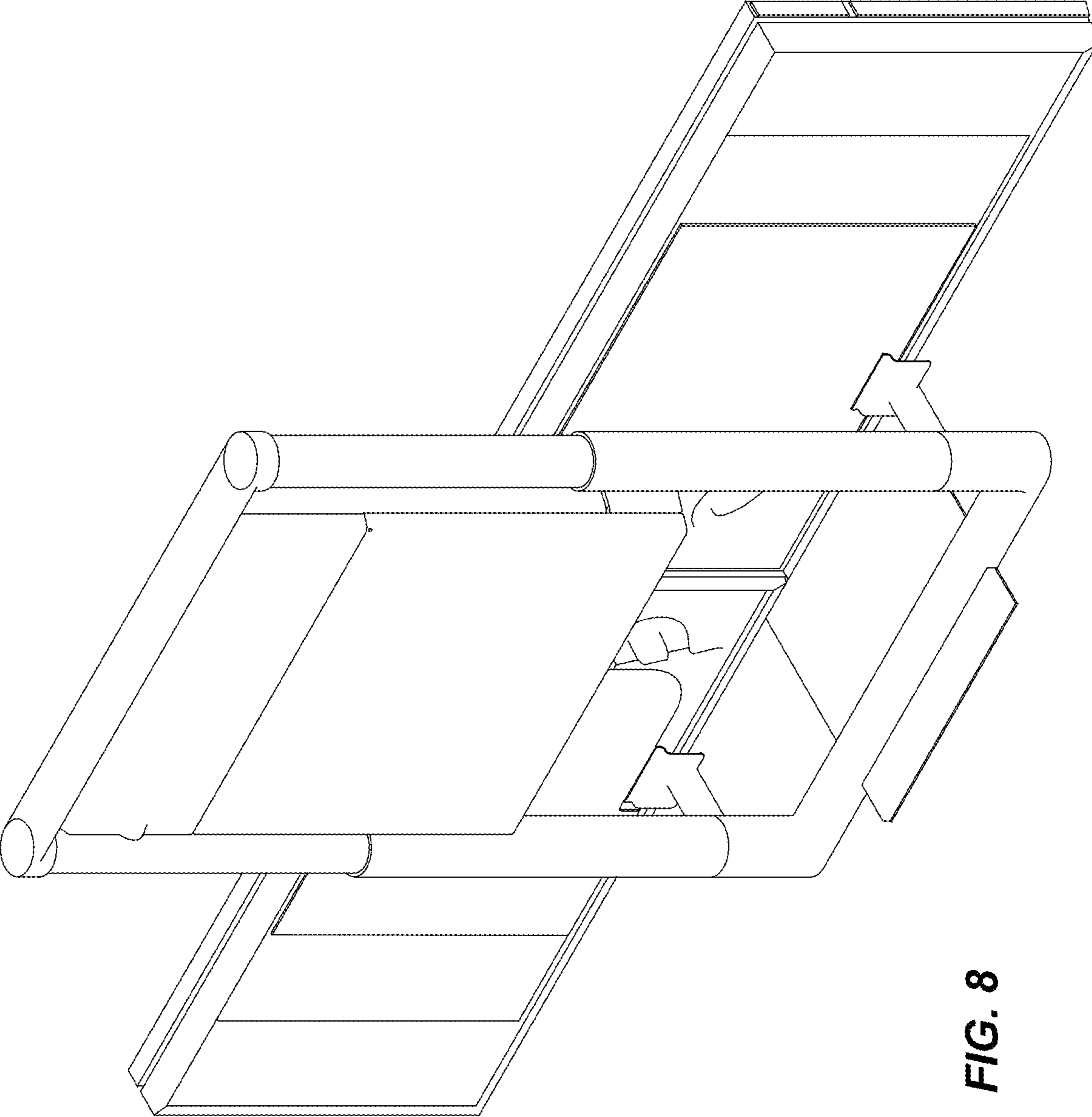


FIG. 7



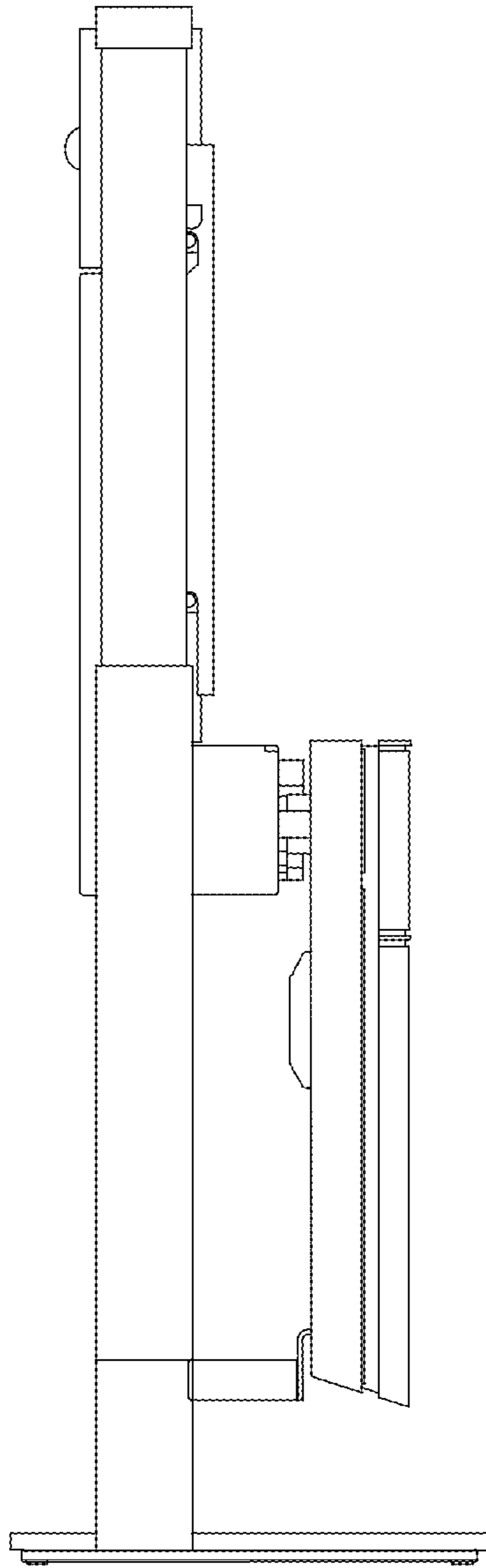


FIG. 9

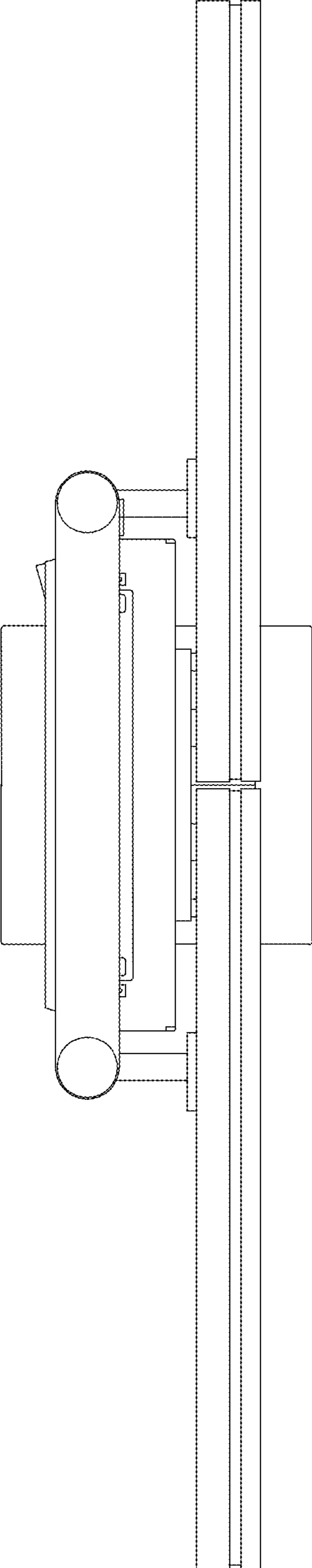


FIG. 10