



US00D916671S

(12) **United States Design Patent**  
**Suzuki**

(10) **Patent No.:** **US D916,671 S**

(45) **Date of Patent:** **\*\* Apr. 20, 2021**

(54) **PORTABLE WIRELESS COMMUNICATION DEVICE**

(71) Applicant: **JVCKENWOOD Corporation,**  
Yokohama (JP)

(72) Inventor: **Yasuhiro Suzuki,** Yokohama (JP)

(73) Assignee: **JVCKENWOOD Corporation,**  
Yokohama (JP)

(\*\*) Term: **15 Years**

(21) Appl. No.: **29/701,830**

(22) Filed: **Aug. 15, 2019**

(30) **Foreign Application Priority Data**

Feb. 22, 2019 (JP) ..... 2019-003588

(51) **LOC (13) Cl.** ..... **14-03**

(52) **U.S. Cl.**  
USPC ..... **D14/137**

(58) **Field of Classification Search**  
USPC ..... D14/137, 138 R, 138 AA, 138 AD  
CPC .. H04B 1/3833; H04B 1/3827; H04B 1/3855;  
H04B 2001/3861; H04M 1/0202; H04M  
1/03; H04M 1/035

See application file for complete search history.

(56) **References Cited**

**U.S. PATENT DOCUMENTS**

D282,660 S \* 2/1986 Imazeki ..... D14/137  
D411,536 S \* 6/1999 Page ..... D14/137  
D477,816 S \* 7/2003 Yahaya ..... D14/137  
D576,980 S \* 9/2008 Onoue ..... D14/137  
D576,981 S \* 9/2008 Akita ..... D14/137

D577,699 S \* 9/2008 Onoue ..... D14/137  
D598,876 S \* 8/2009 Leng ..... D14/137  
D600,225 S \* 9/2009 Woon ..... D14/137  
D652,400 S \* 1/2012 Oikawa ..... D14/137  
D653,225 S \* 1/2012 Yong ..... D14/137  
D653,637 S \* 2/2012 Ismail ..... D14/137  
D717,258 S \* 11/2014 Garra ..... D14/137  
D752,536 S \* 3/2016 Ooi ..... D14/137  
D761,223 S \* 7/2016 Oikawa ..... D14/137  
D817,910 S \* 5/2018 Yamamoto ..... D14/137  
D853,345 S \* 7/2019 Nishida ..... D14/137  
D894,143 S \* 8/2020 Nishizawa ..... D14/137  
D896,197 S \* 9/2020 Lee ..... D14/137  
2006/0262800 A1 \* 11/2006 Martinez ..... H04W 88/06  
370/395.52

\* cited by examiner

*Primary Examiner* — Bridget L Eland

(74) *Attorney, Agent, or Firm* — Amin, Turocy & Watson, LLP

(57) **CLAIM**

The ornamental design for a portable wireless communication device, as shown and described.

**DESCRIPTION**

FIG. 1 is a front perspective view of a portable wireless communication device;  
FIG. 2 is a front elevational view thereof;  
FIG. 3 is a rear elevational view thereof;  
FIG. 4 is a top plan view thereof;  
FIG. 5 is a bottom plan view thereof;  
FIG. 6 is a left side elevational view thereof; and,  
FIG. 7 is a right side elevational view thereof.

The broken lines in the drawings are for the purpose of illustrating portions of the portable wireless communication device that form no part of the claimed design.

**1 Claim, 4 Drawing Sheets**

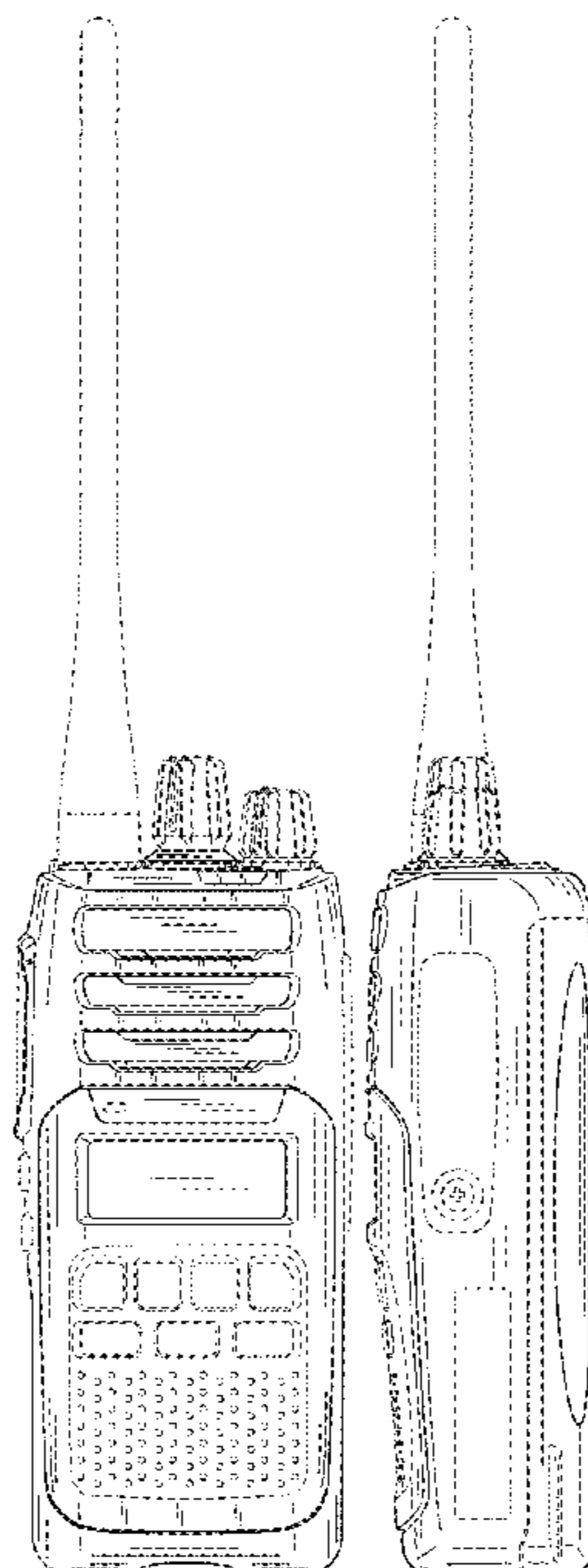


Fig. 1

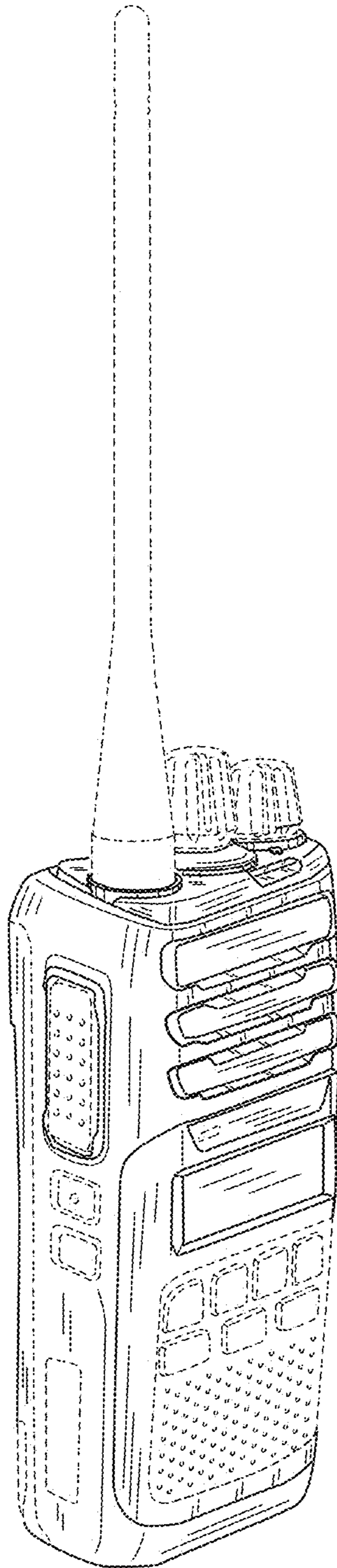


Fig.2

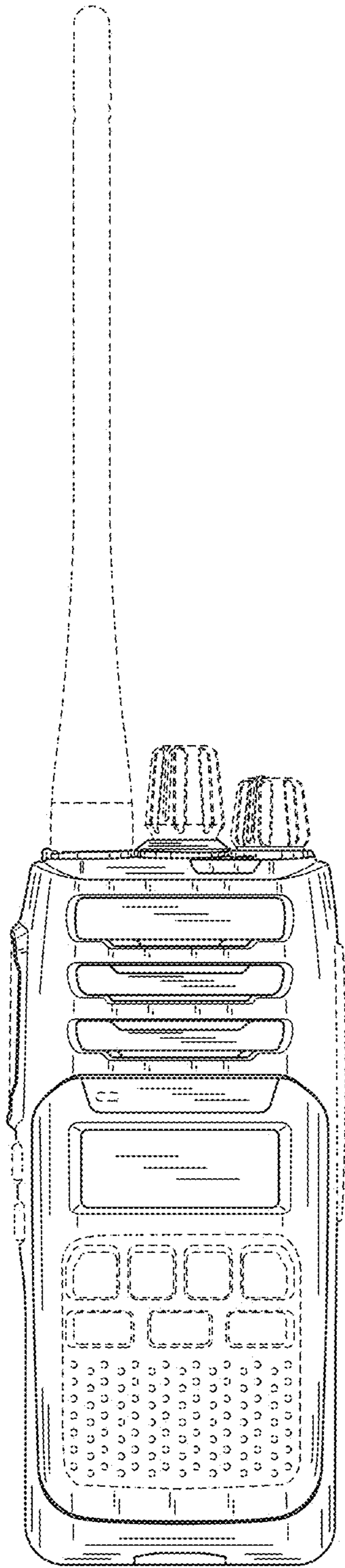


Fig.3

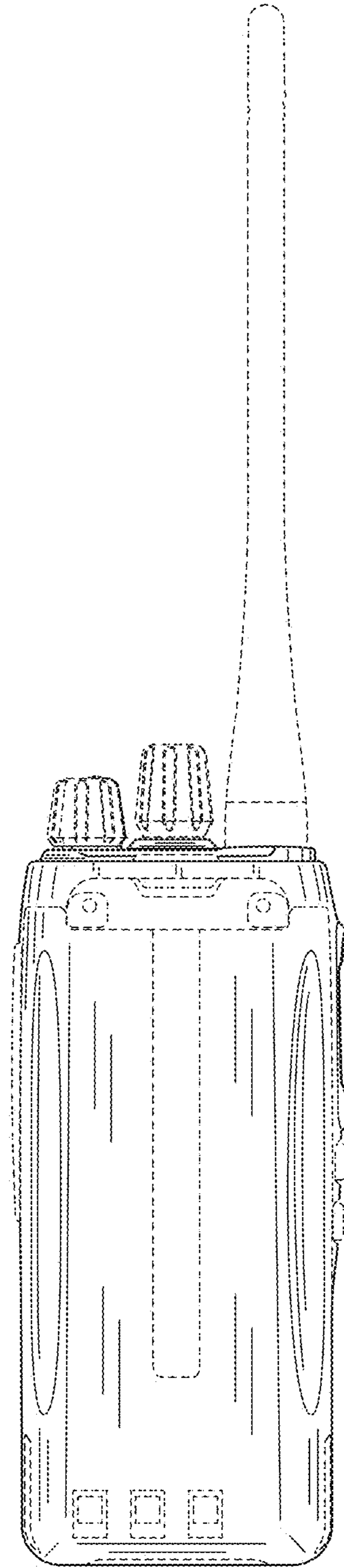


Fig.4

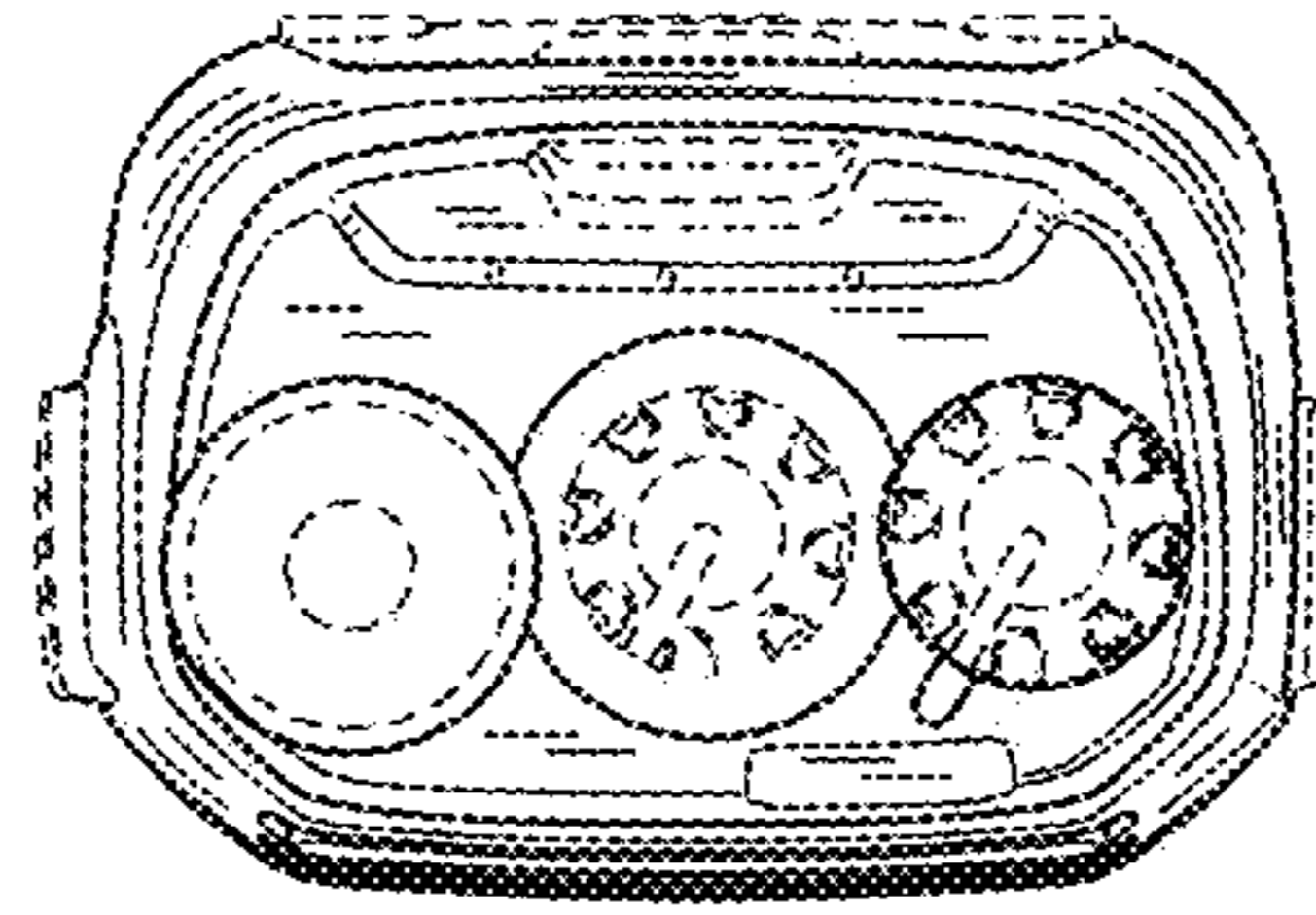


Fig.5

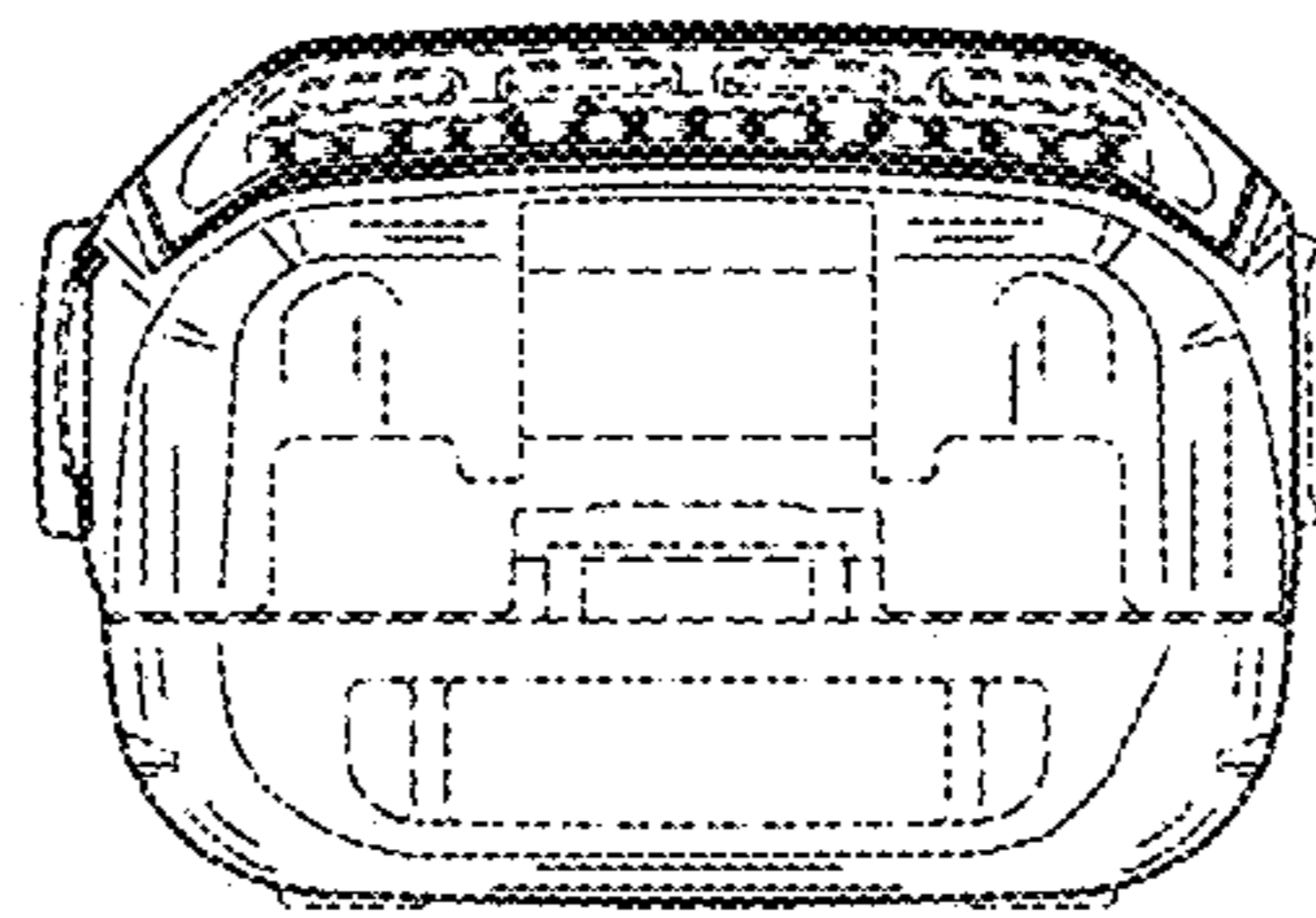


Fig.6

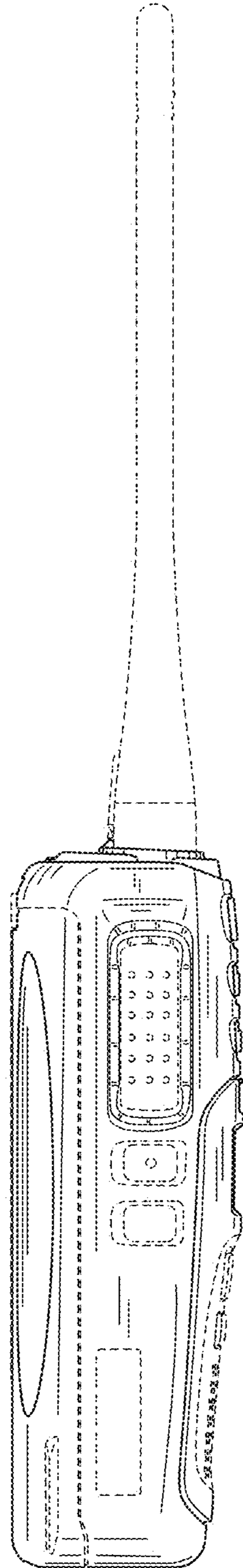


Fig.7

