



US00D916670S

(12) **United States Design Patent**
Knupfer et al.

(10) **Patent No.:** **US D916,670 S**

(45) **Date of Patent:** **** Apr. 20, 2021**

(54) **KNOB FOR AN ELECTRONIC INSTRUMENT**

(71) Applicant: **Oblamatik AG**, Chur (CH)

(72) Inventors: **Thomas Knupfer**, Chur (CH); **Daniel Knupfer**, Trimmis (CH); **Roland Obrist**, Scharans (CH)

(73) Assignee: **OBLAMATIK AG**, Chur (CH)

(**) Term: **15 Years**

(21) Appl. No.: **35/507,994**

(22) Filed: **Jun. 21, 2019**

(80) **Hague Agreement Data**

Int. Filing Date: **Jun. 21, 2019**

Int. Reg. No.: **DM/204338**

Int. Reg. Date: **Jun. 21, 2019**

Int. Reg. Pub. Date: **Dec. 6, 2019**

(51) **LOC (13) Cl.** **13-03**

(52) **U.S. Cl.**
USPC **D13/171**

(58) **Field of Classification Search**
USPC D10/104.1, 85, 96; D8/310; D13/171
CPC G01W 1/14
See application file for complete search history.

(56) **References Cited**

U.S. PATENT DOCUMENTS

D345,782 S * 4/1994 Short D23/249
D588,483 S * 3/2009 Chu D10/85

D603,022 S * 10/2009 Schonherr D23/245
D766,844 S * 9/2016 Turksu D13/168
D799,998 S * 10/2017 Wolf G01W 1/14
D10/52
D812,577 S * 3/2018 Turksu D13/168
D879,635 S * 3/2020 Hojmose D10/104.1
D886,955 S * 6/2020 Shinozaki D23/245

* cited by examiner

Primary Examiner — George D. Kirschbaum

(74) *Attorney, Agent, or Firm* — Notaro, Michalos & Zaccaria P.C.

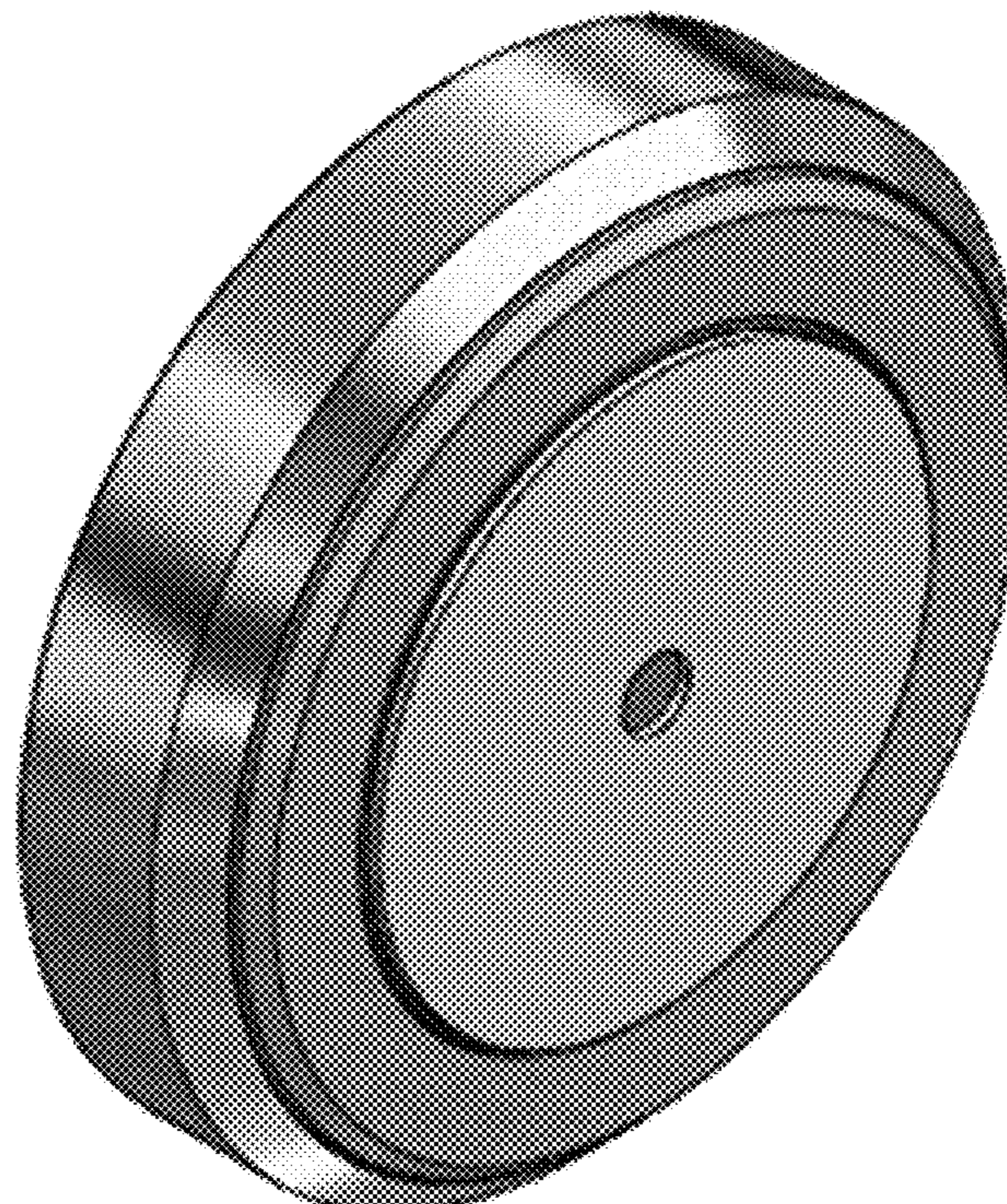
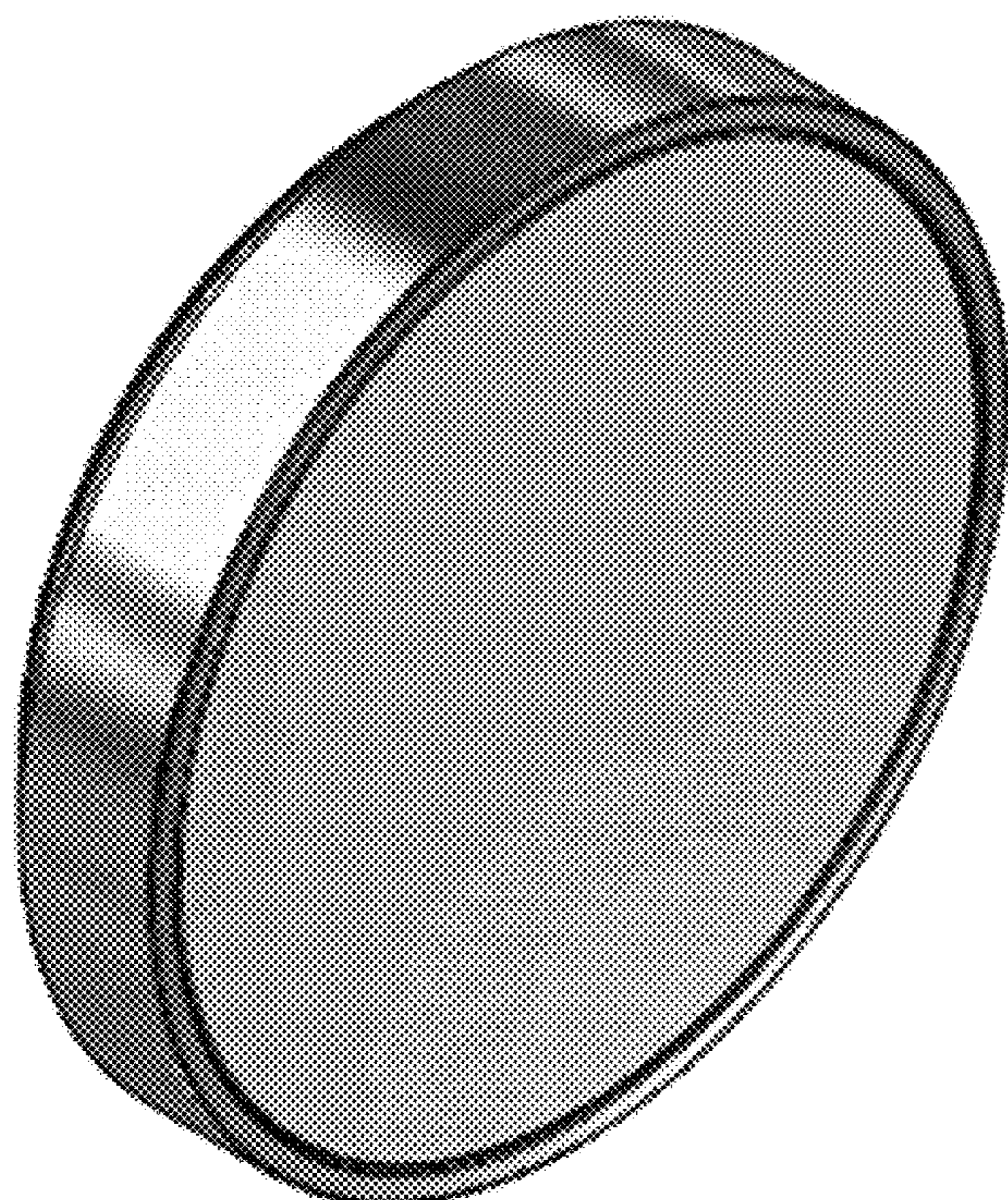
(57) **CLAIM**

The ornamental design for a knob for an electronic instrument, as shown and described.

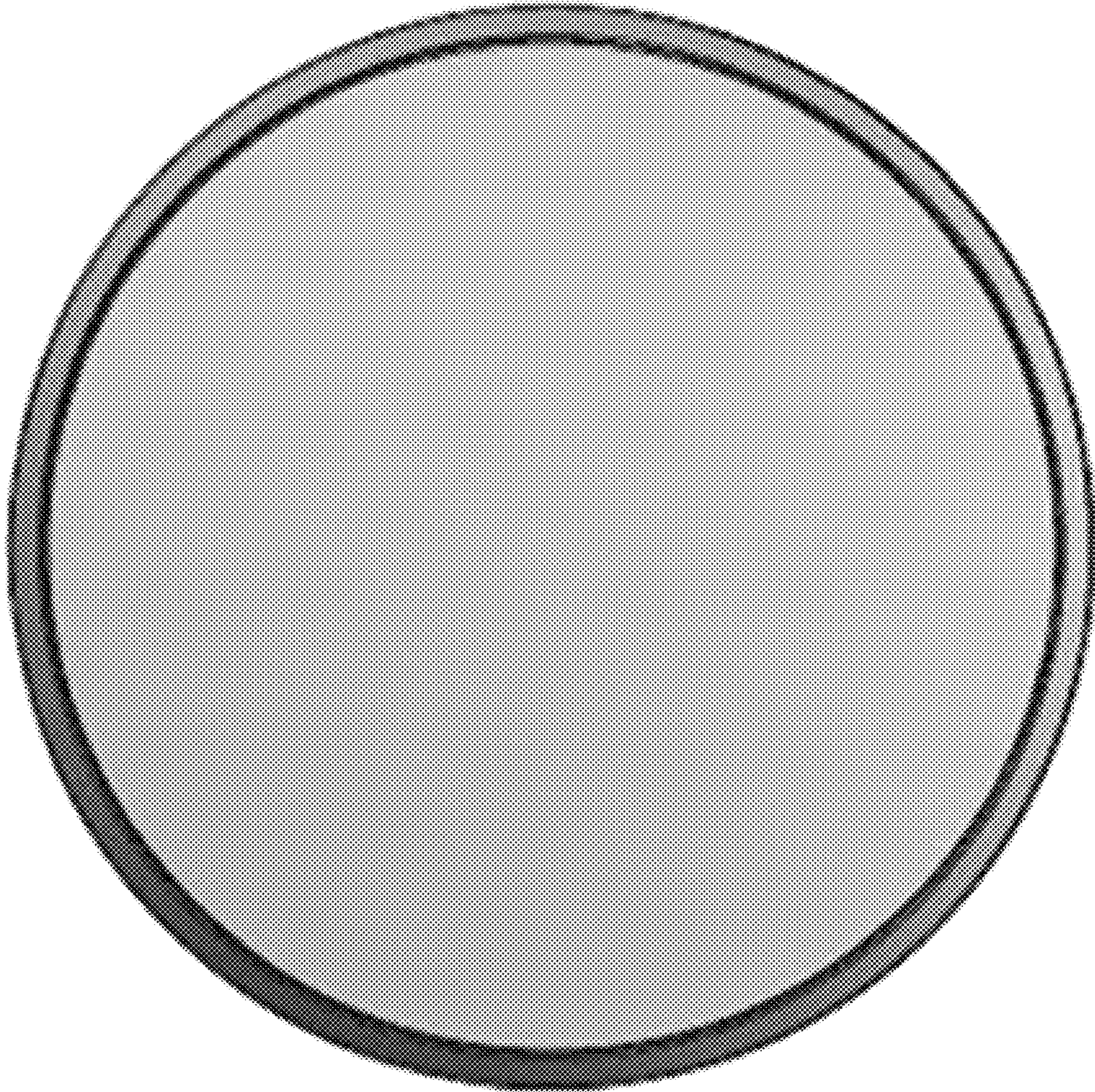
DESCRIPTION

- 1. Knob for an electronic instrument
- 1.1 : Top
- 1.2 : Front
- 1.3 : Perspective
- 1.4 : Back
- 1.5 : Bottom
- 1.6 : Perspective
- 1.7 : Perspective
- 1.8 : Perspective

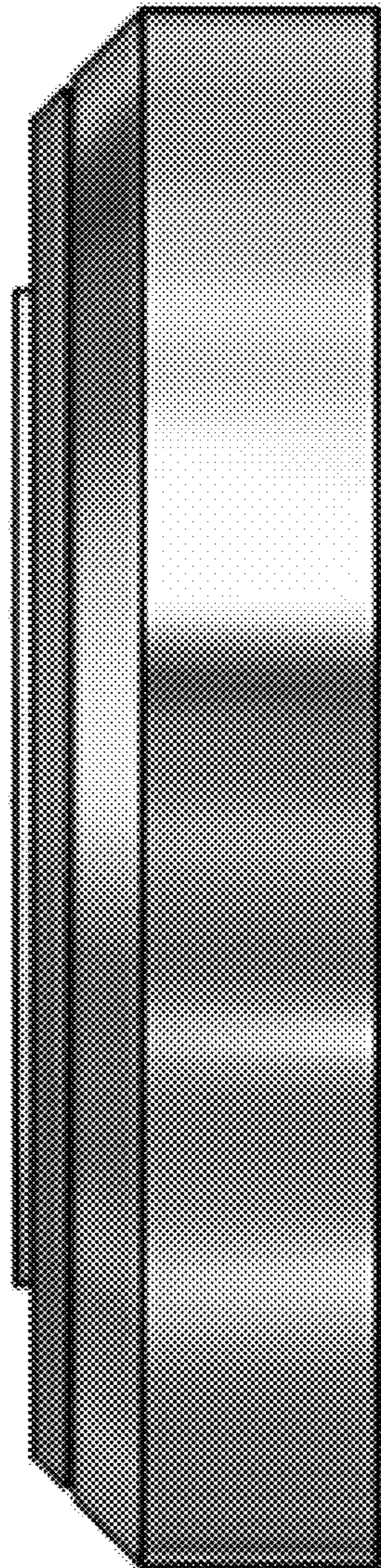
1 Claim, 8 Drawing Sheets



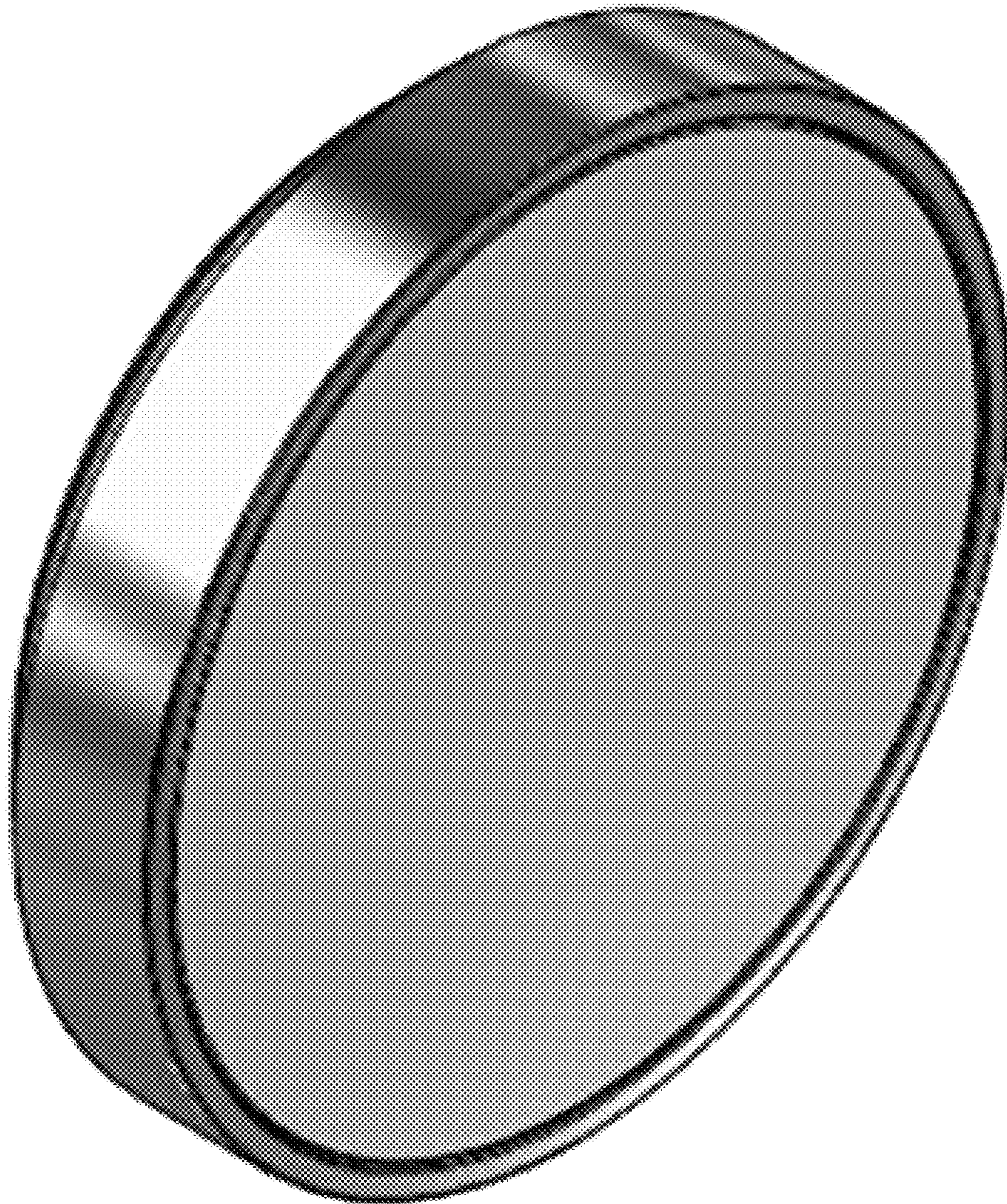
1.1



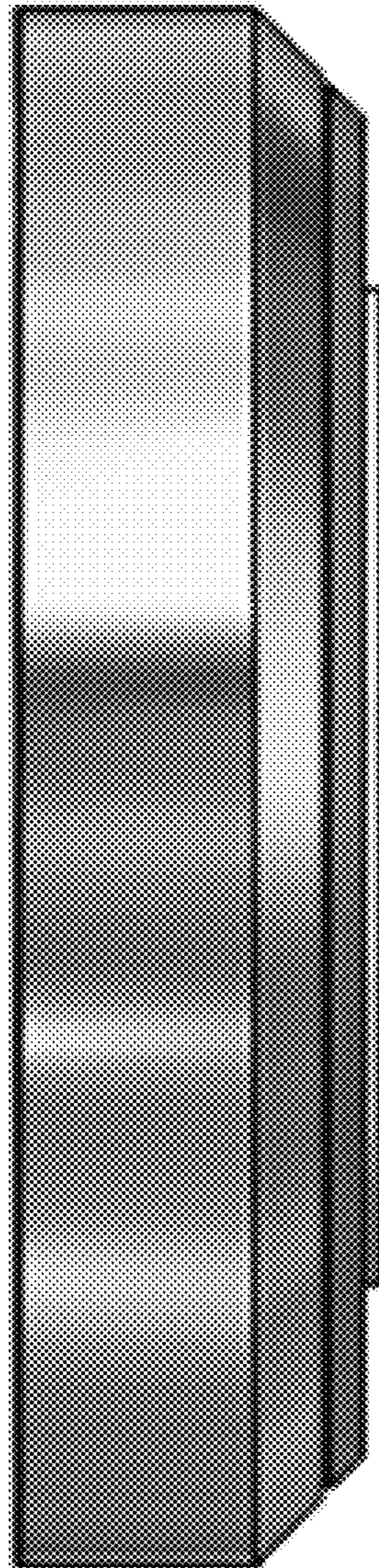
1.2



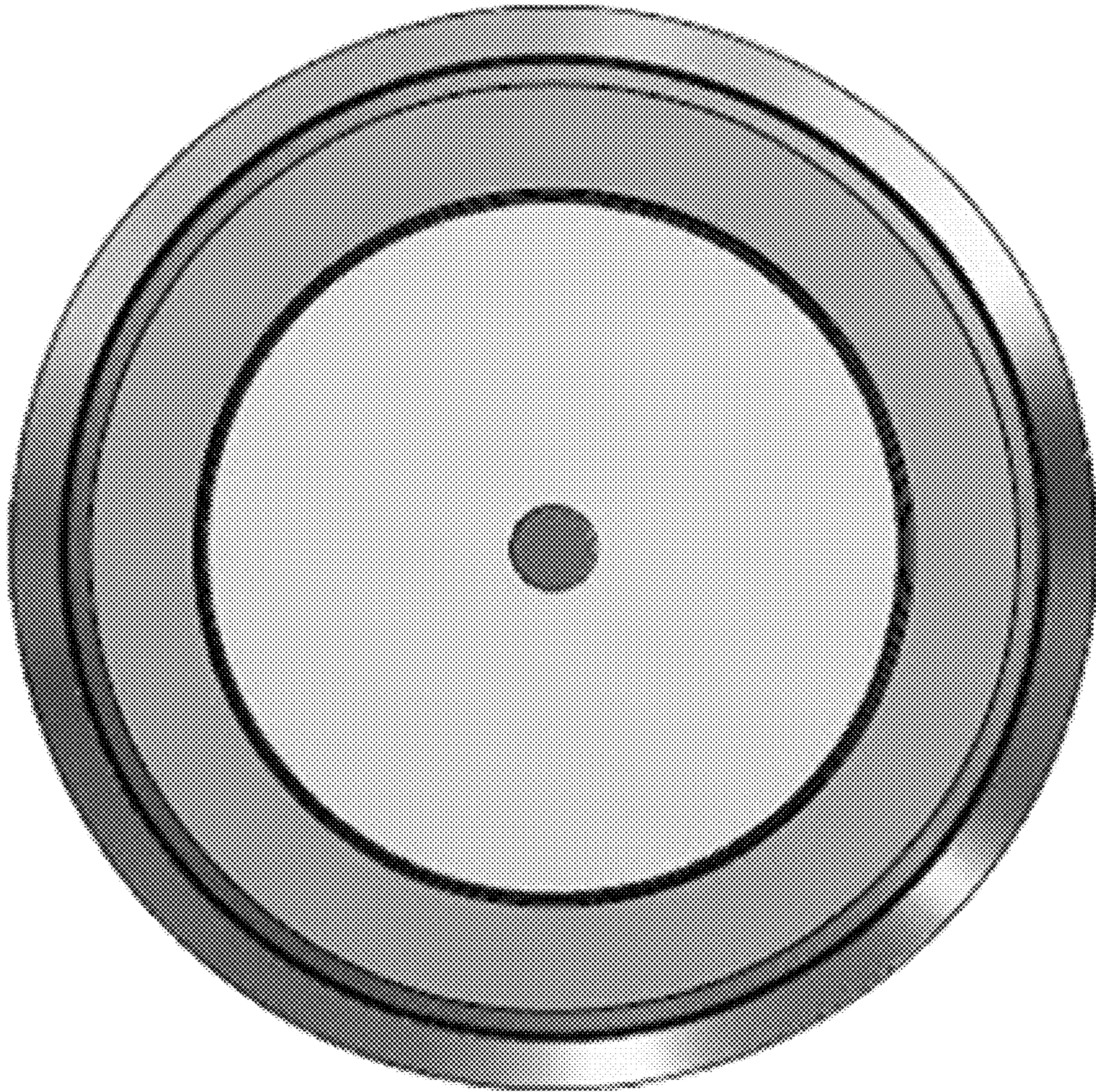
1.3



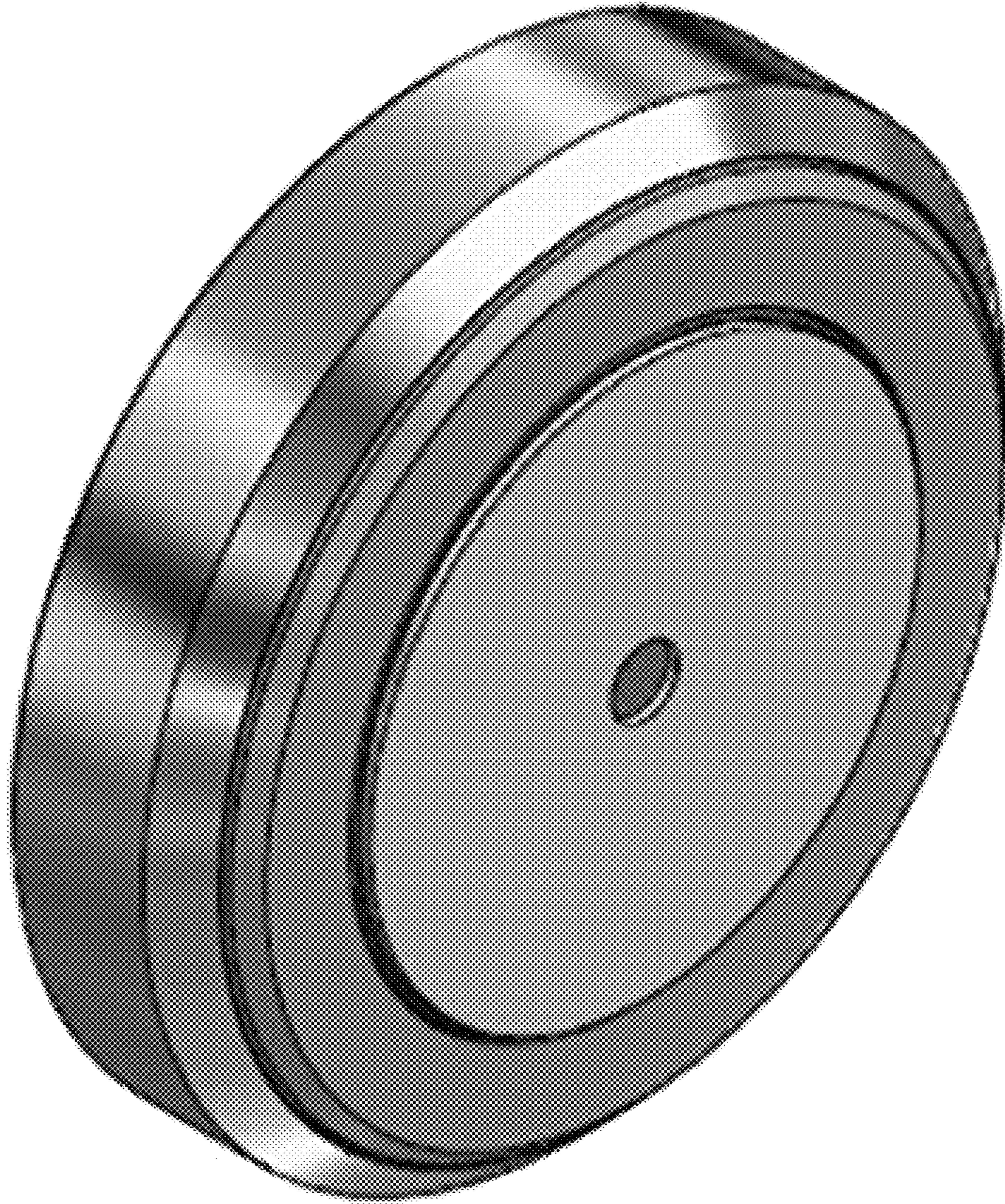
1.4



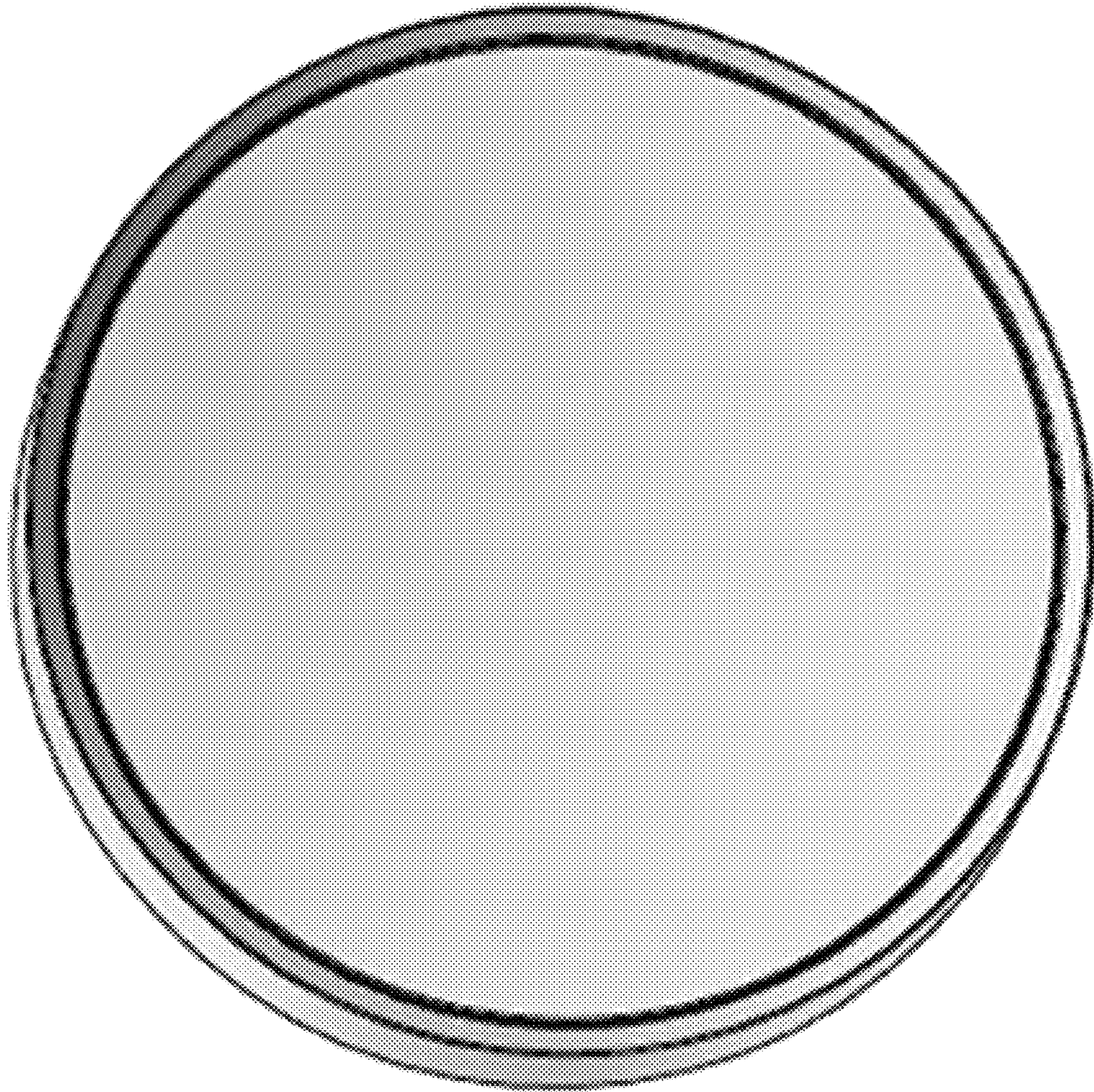
1.5



1.6



1.7



1.8

