



US00D91666S

(12) **United States Design Patent** (10) **Patent No.:** **US D916,666 S**  
**Sjöström** (45) **Date of Patent:** **\*\* Apr. 20, 2021**

(54) **IT SERVER TAG**  
(71) Applicant: **Tomas Sjöström**, Powell, TN (US)  
(72) Inventor: **Tomas Sjöström**, Powell, TN (US)  
(73) Assignee: **T And B Innovations Inc.**, Knoxville, TN (US)  
(\*\*) Term: **15 Years**

D589,903 S \* 4/2009 Duan ..... D13/149  
7,585,191 B2 9/2009 Hawley et al.  
D614,582 S \* 4/2010 Ye ..... D13/154  
8,206,188 B1 \* 6/2012 Zhang ..... H01R 12/57  
439/862  
D672,317 S \* 12/2012 Jibiki ..... D13/154  
D722,570 S \* 2/2015 Choi ..... D13/154  
D722,979 S \* 2/2015 Kim ..... D13/154  
D745,605 S 12/2015 Dancausse et al.

(Continued)

(21) Appl. No.: **29/697,331**  
(22) Filed: **Jul. 8, 2019**  
(51) **LOC (13) Cl.** ..... **13-03**  
(52) **U.S. Cl.**  
USPC ..... **D13/154**; D20/22  
(58) **Field of Classification Search**  
USPC ..... D9/550, 563, 702, 713; D10/46, 52,  
D10/104.1, 104.2, 109.1, 109.2;  
D19/1–12; D20/10, 11, 18, 19, 22–29,  
D20/42, 49; D13/154  
CPC ..... G09F 1/00; G09F 1/02; G09F 3/00; G09F  
3/02; G09F 3/10; G09F 3/14; G09F  
3/0288; G09F 2003/0021; G09F  
2003/0208; G09F 2003/023; G09F  
2003/0225; G09F 2003/0257; G09F  
2003/0264; G09F 2003/0266; G09F  
2003/0267; G09F 2003/0269; G09F  
2003/0272; G09F 2003/0273; G09F  
2003/0279; B42D 15/00  
See application file for complete search history.

(56) **References Cited**  
U.S. PATENT DOCUMENTS

5,421,113 A 6/1995 Gebka et al.  
6,594,857 B2 7/2003 Nhep et al.  
6,964,343 B2 11/2005 Tilly  
7,155,853 B2 1/2007 Valiulis  
7,203,303 B1 4/2007 Beasley  
D569,235 S \* 5/2008 Young ..... D13/154  
D569,710 S \* 5/2008 Young ..... D13/154  
D569,712 S \* 5/2008 Young, IV ..... D13/154  
D582,348 S \* 12/2008 Shiu ..... D13/133

**OTHER PUBLICATIONS**

Screen Shot of Black Box Rack Unit Labels; Accessed Jul. 2019; [https://www.grainger.com/product/15E509?cm\\_sp=Product\\_Details--Products\\_Based\\_on\\_Your\\_Search--IDPPLARECS&cm\\_vc=IDPPLARECS](https://www.grainger.com/product/15E509?cm_sp=Product_Details--Products_Based_on_Your_Search--IDPPLARECS&cm_vc=IDPPLARECS); pp. 1.

Screen Shot of StarTech.com Rack Unit Labels—Server Rack 52U Alignment Strips; Accessed Jul. 2019; <https://www.cdw.com/product/startech.com-rack-unit-labels-server-rack-49u-alignment-strips-2-pack/4165202>; pp. 4.

(Continued)

*Primary Examiner* — Mary Ann Calabrese  
*Assistant Examiner* — Catherine Ho  
(74) *Attorney, Agent, or Firm* — Peter L. Brewer; Thrive IP

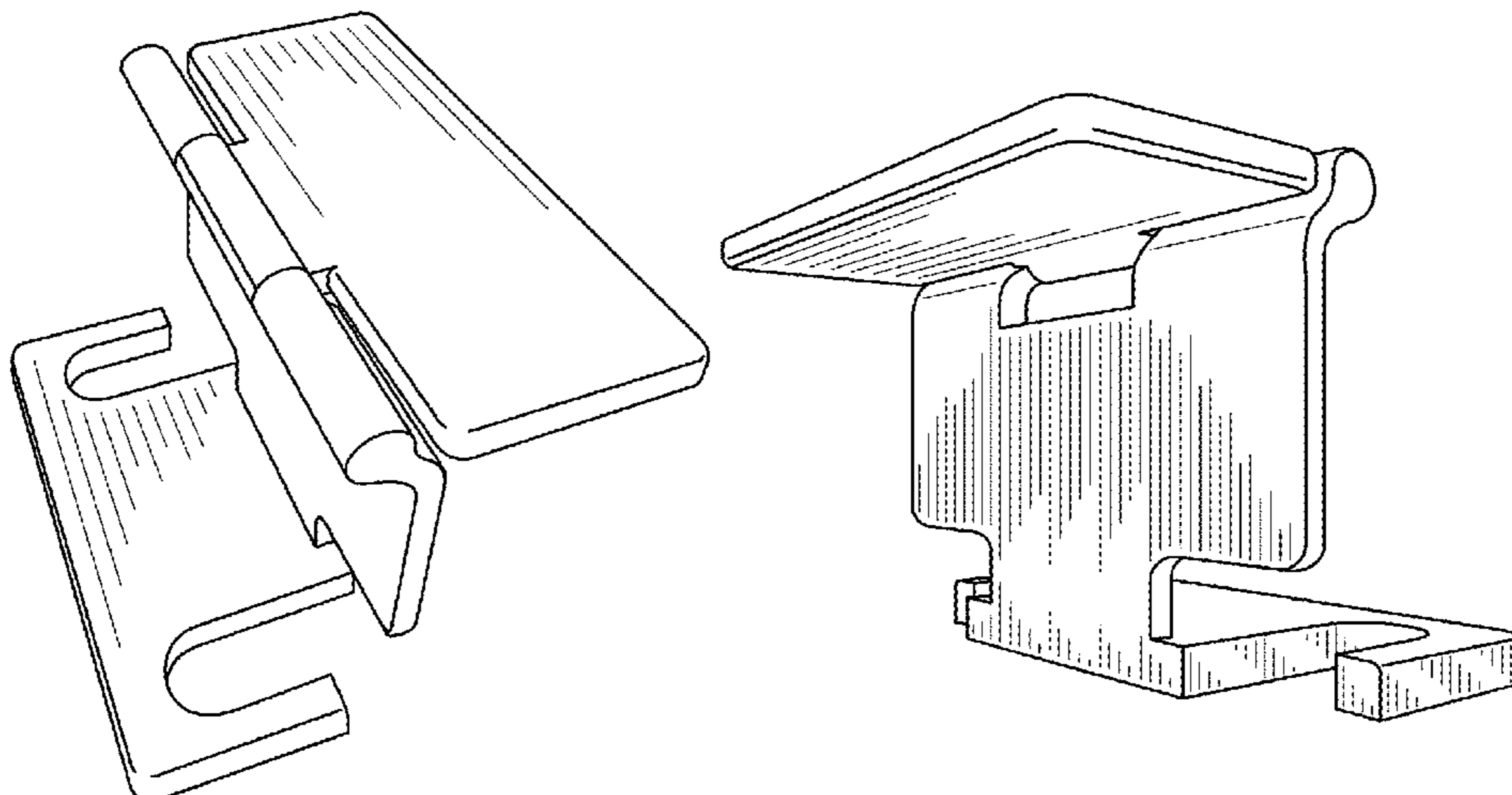
(57) **CLAIM**

The ornamental design for an IT server tag, as shown and described.

**DESCRIPTION**

FIG. 1 is a top right perspective view of an IT server tag, showing my new design in an open position.  
FIG. 2 is a bottom left perspective view thereof.  
FIG. 3 is a front elevation view thereof.  
FIG. 4 is a rear elevation view thereof.  
FIG. 5 is a top plan view thereof.  
FIG. 6 is a bottom view thereof.  
FIG. 7 is a right side elevation view thereof.  
FIG. 8 is a left side elevation view thereof.  
FIG. 9 is a right side elevation view of an IT server tag shown in a folded position; and,  
FIG. 10 is a left side elevation view thereof.

**1 Claim, 5 Drawing Sheets**



(56)

References Cited

OTHER PUBLICATIONS

U.S. PATENT DOCUMENTS

9,215,824	B2	12/2015	Sun	
9,430,004	B2	8/2016	Meadowcroft	
D768,780	S	10/2016	Taddeo	
D781,239	S *	3/2017	Ikeda .....	D13/154
D788,745	S	6/2017	Forster	
D814,569	S	4/2018	McLean	
D839,963	S	2/2019	Forster	
D841,607	S	2/2019	Sunagawa	
D842,817	S	3/2019	Covell	
D843,328	S	3/2019	Covell	
D845,250	S	4/2019	Covell	
D854,090	S	7/2019	Warther	
10,839,720	B1 *	11/2020	Sjostrom .....	G09F 3/18
D909,312	S *	2/2021	Liao .....	D13/154
2009/0097212	A1	4/2009	Schmidt et al.	
2010/0013600	A1	1/2010	Renfro, Jr.	
2010/0006520	A1	3/2010	Means	
2013/0071072	A1	3/2013	Xie	
2013/0308912	A1	11/2013	Avlonitis et al.	
2014/0126957	A1	5/2014	Shi et al.	
2014/0153169	A1	6/2014	Kohonen et al.	
2015/0288097	A1	10/2015	Yen	

Multi-Level Rack Labels; Accessed Jul. 2019; <https://www.expresscorp.com/Warehouse-Labels/Multi-Level-Rack-Labels>; pp. 2.

Rack Cable Management; Accessed Jul. 2019; <https://www.cableorganizer.com/computer-cabinets/cable-management-accessories.html>; pp. 2.

Cable Management; Accessed Jul. 2019; <https://www.rackmountsolutions.net/cable-management/>; pp. 2.

Cable Management; Accessed Jul. 2019; <https://www.racksolutions.com/rack-accessories/cable-management>; pp. 3.

Racks & Cable Management; Accessed Jul. 2019; <https://www.siemon.com/en/home/systems/racks-and-cable-management>; pp. 2.

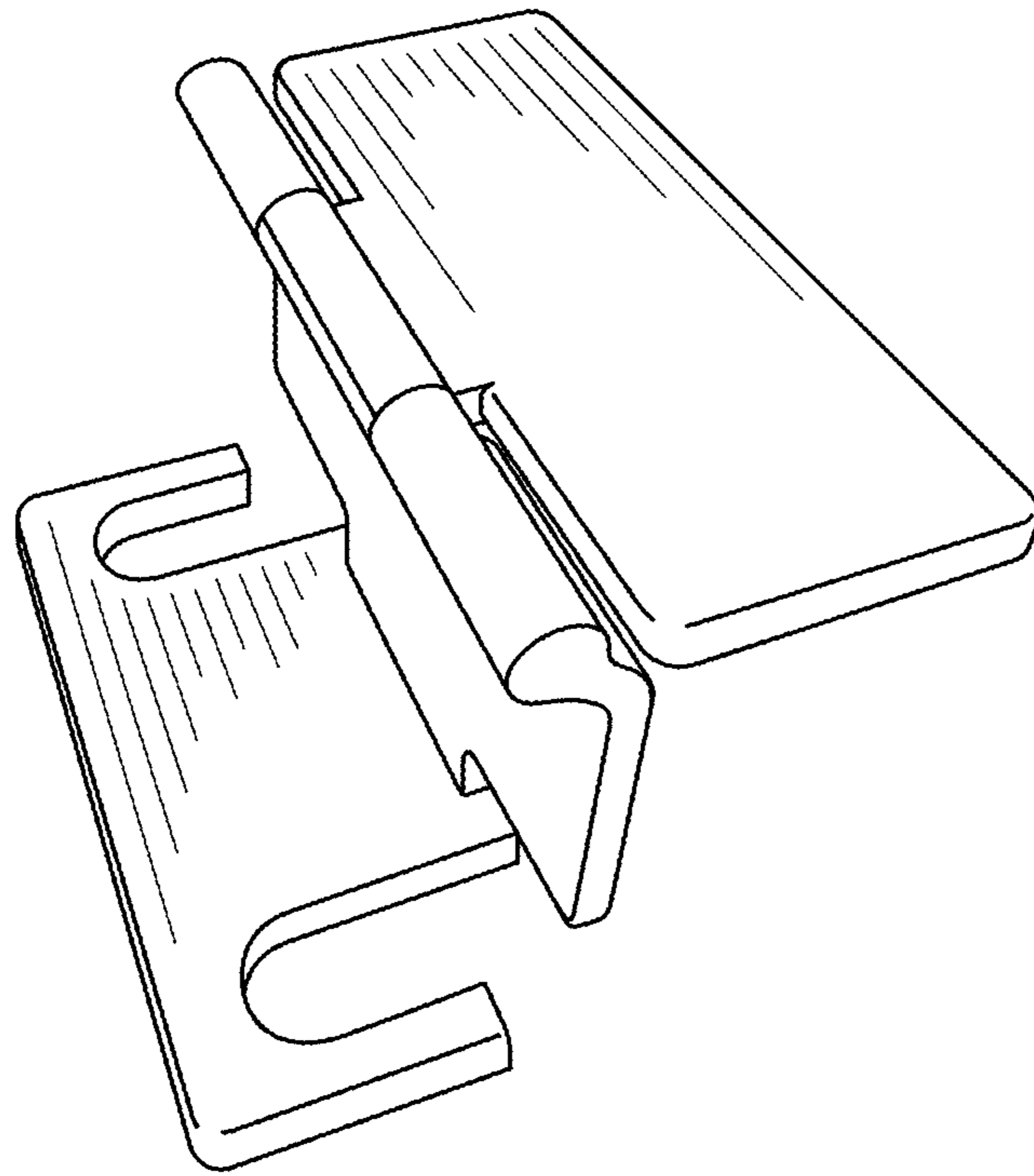
Cable and Wire Labeling; Accessed Jul. 2019; <https://wiringnetworks.com/network-cabling-labeling/>; pp. 2.

Non-Final Office Action of co-pending U.S. Appl. No. 16/514,526; Report dated Jun. 24, 2020, 13 pages.

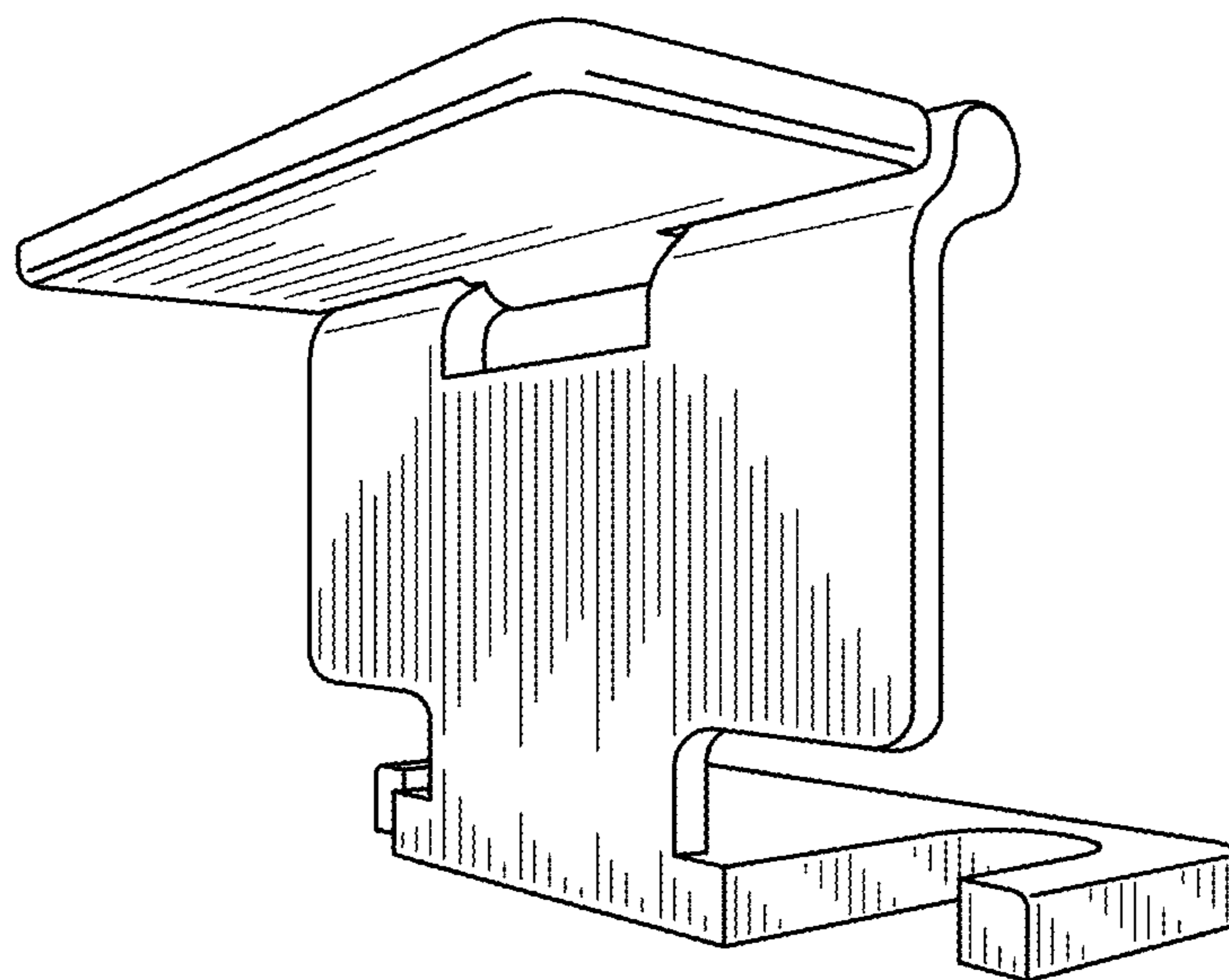
Notice of Allowance of co-pending U.S. Appl. No. 16/514,526; Report dated Sep. 8, 2020, 1 page.

Notice of Allowability of co-pending U.S. Appl. No. 16/514,526; Report dated Sep. 22, 2020, 1 page.

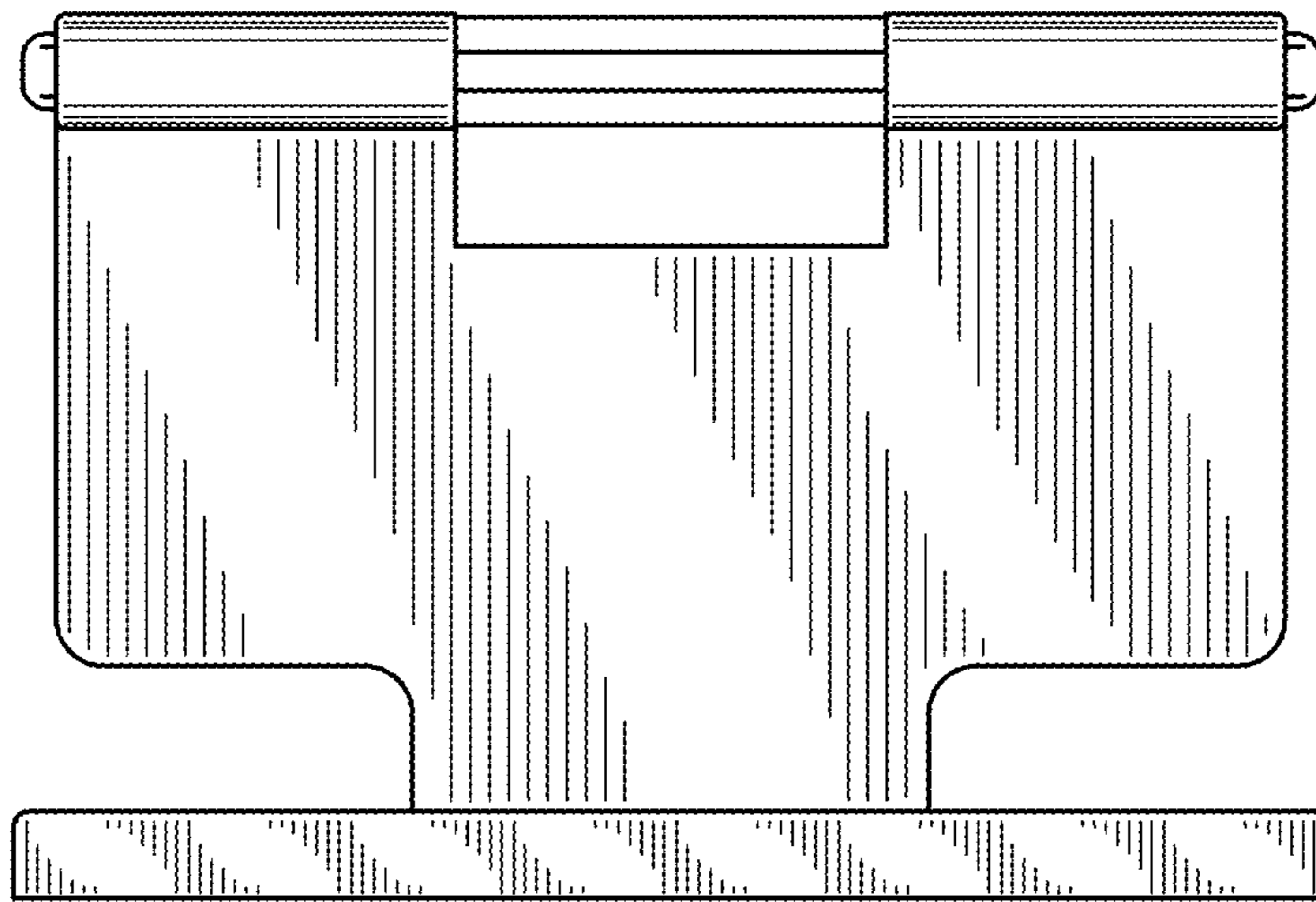
\* cited by examiner



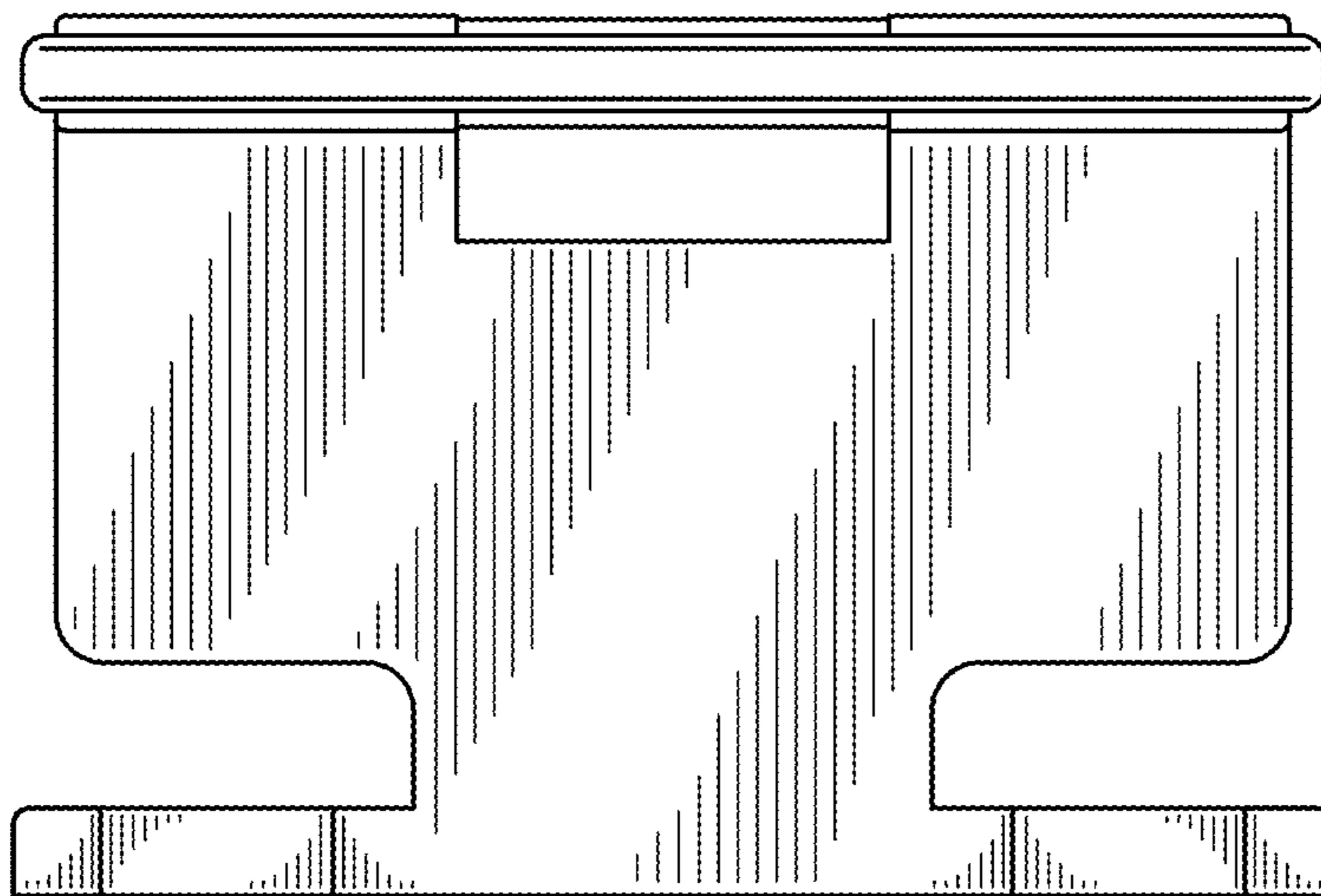
**FIG. 1**



**FIG. 2**



**FIG. 3**



**FIG. 4**



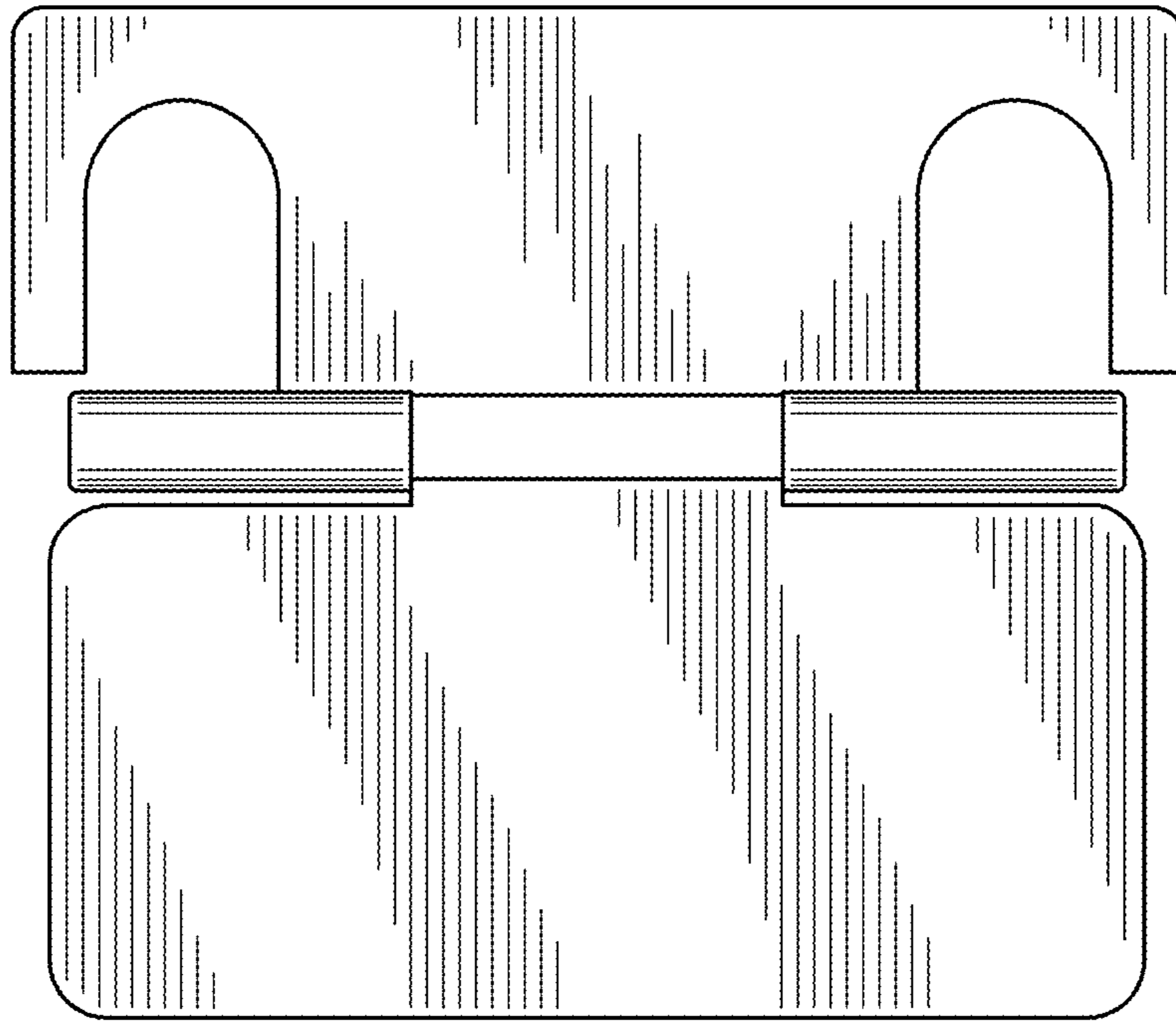


FIG. 5

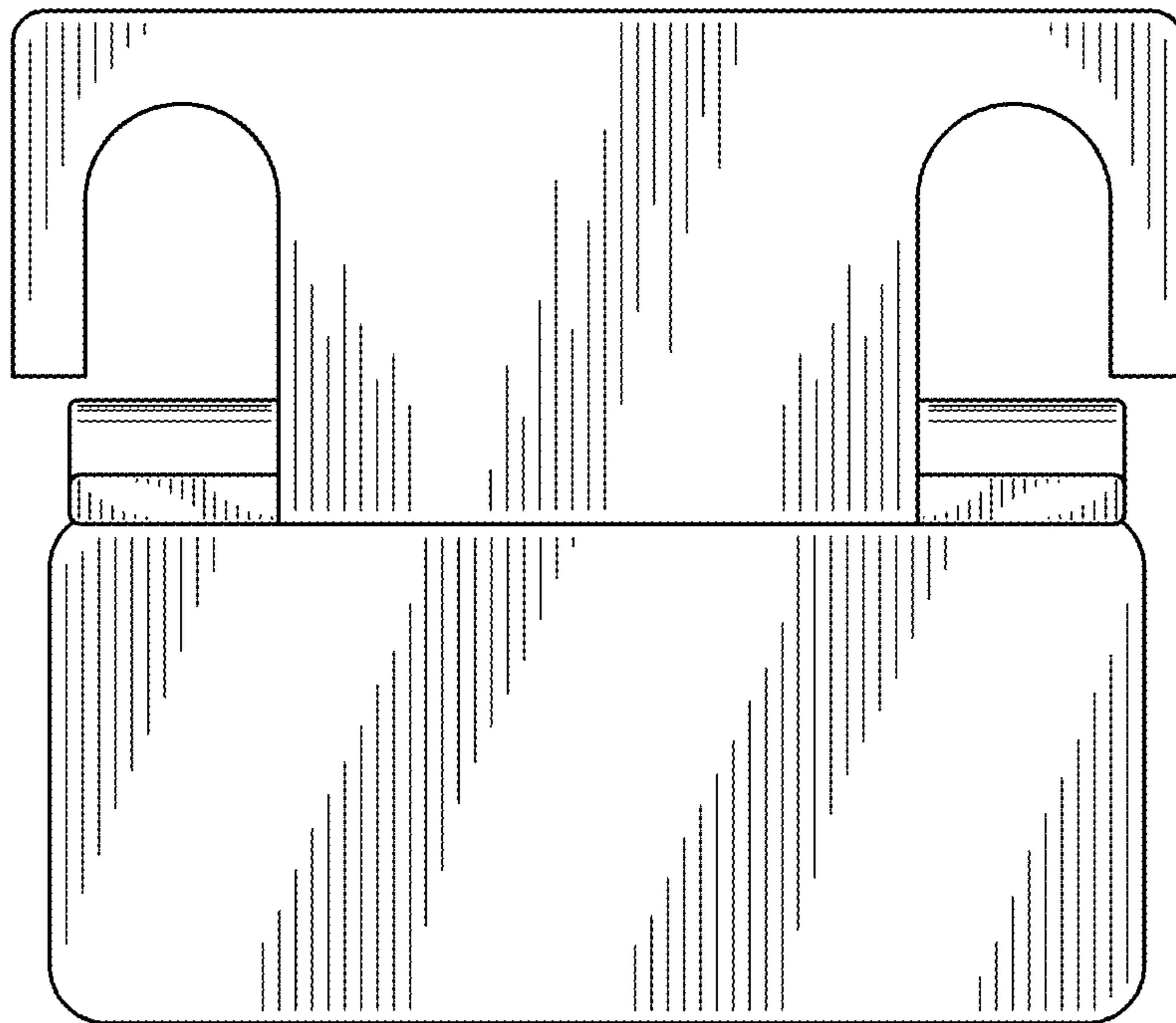
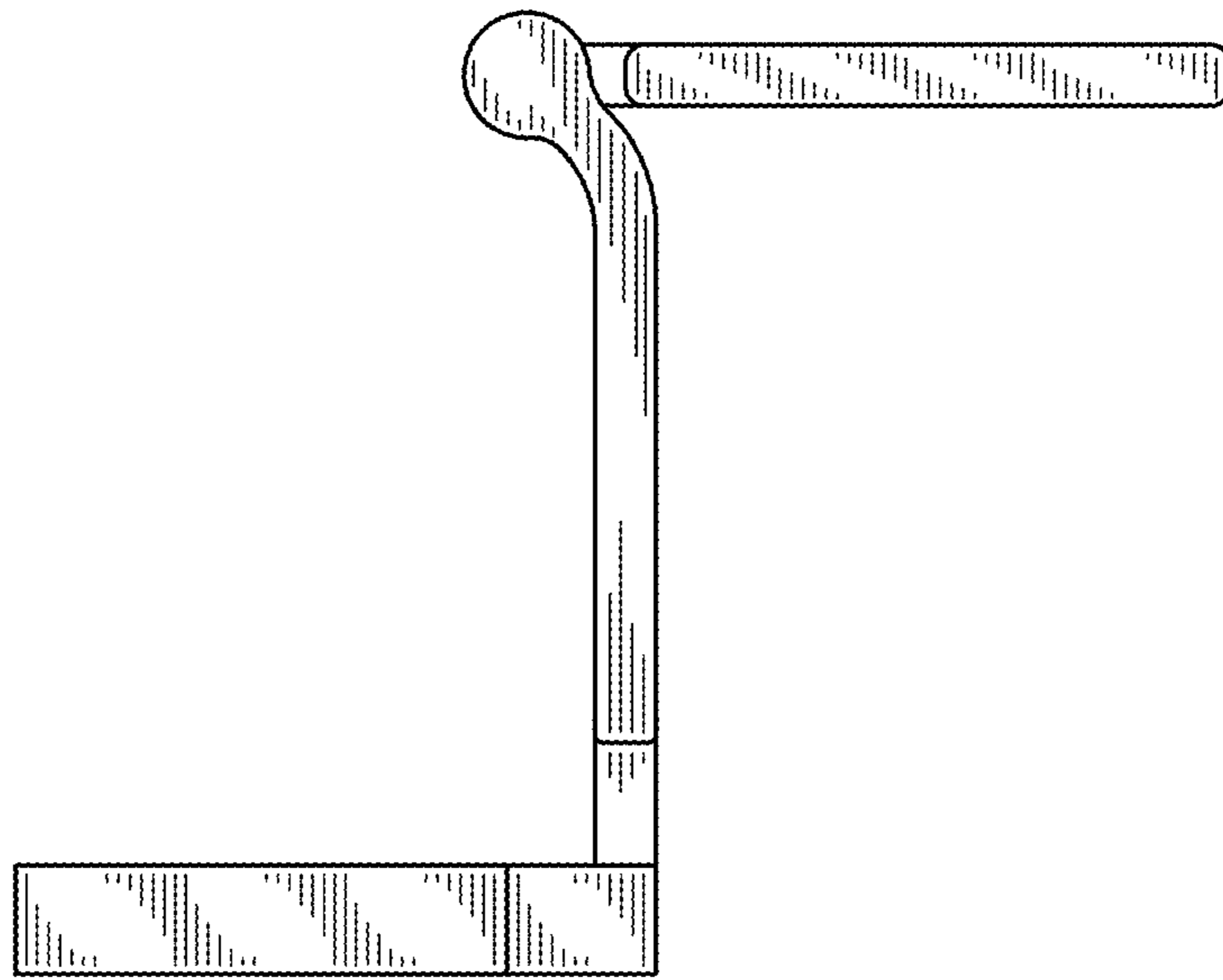
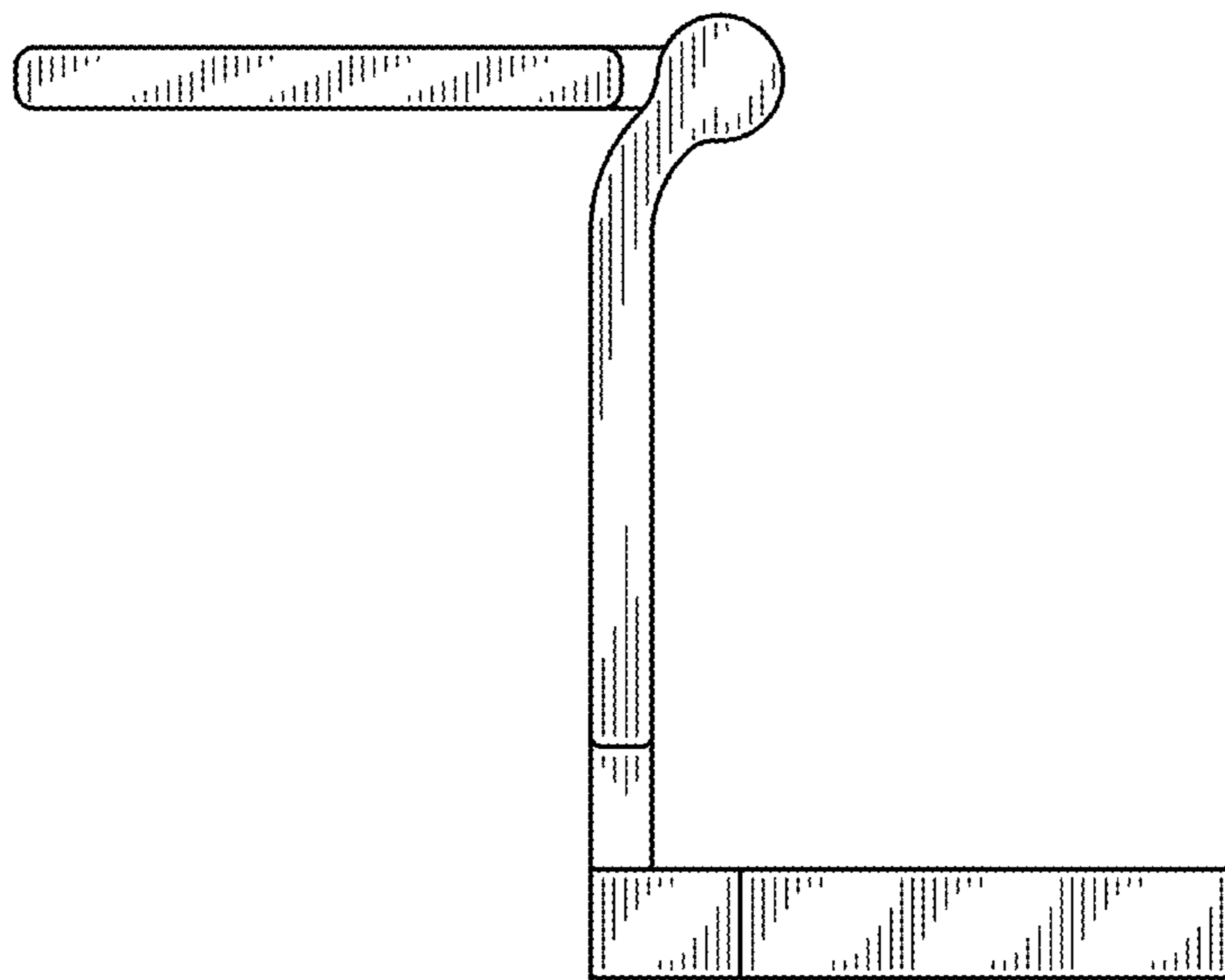


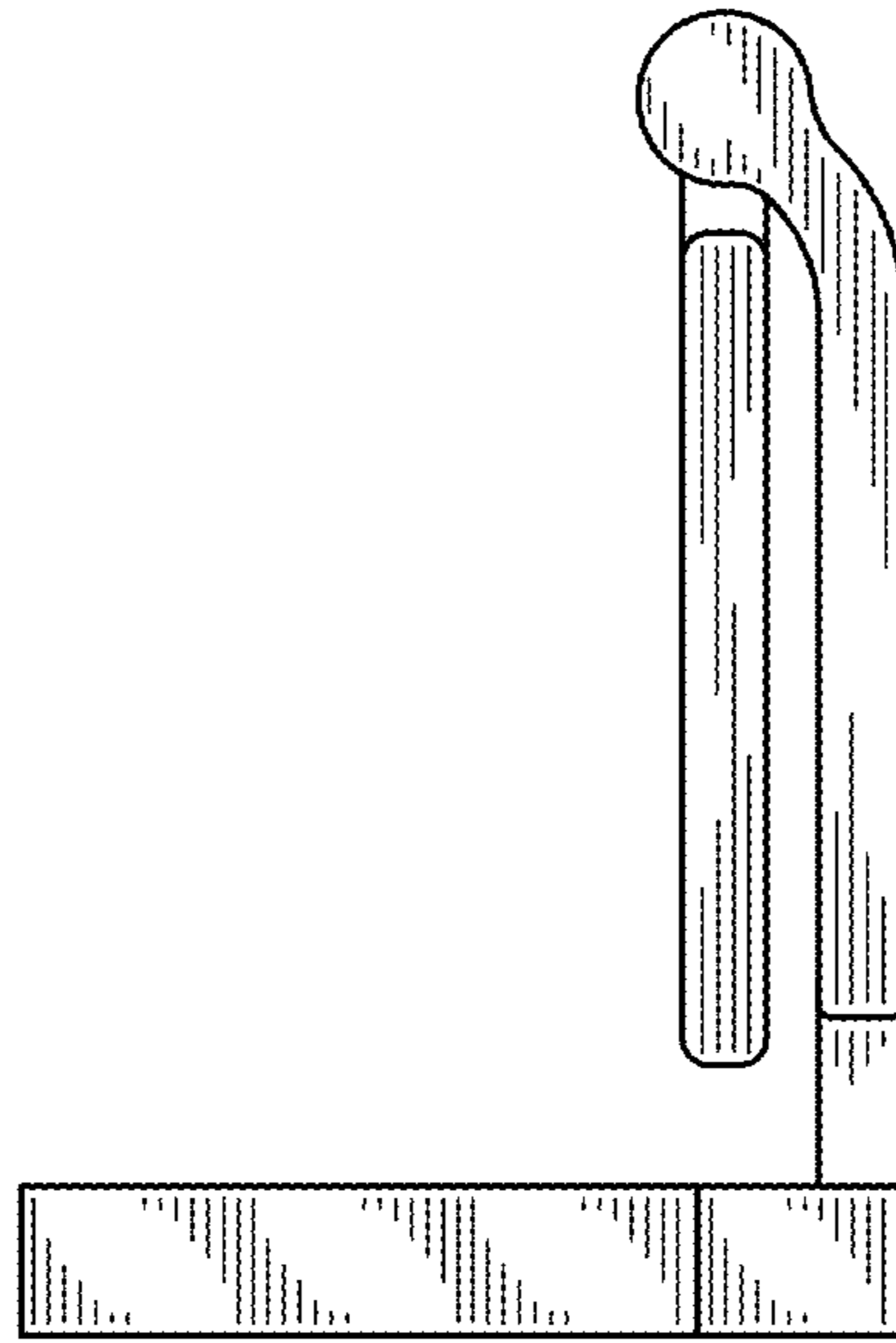
FIG. 6



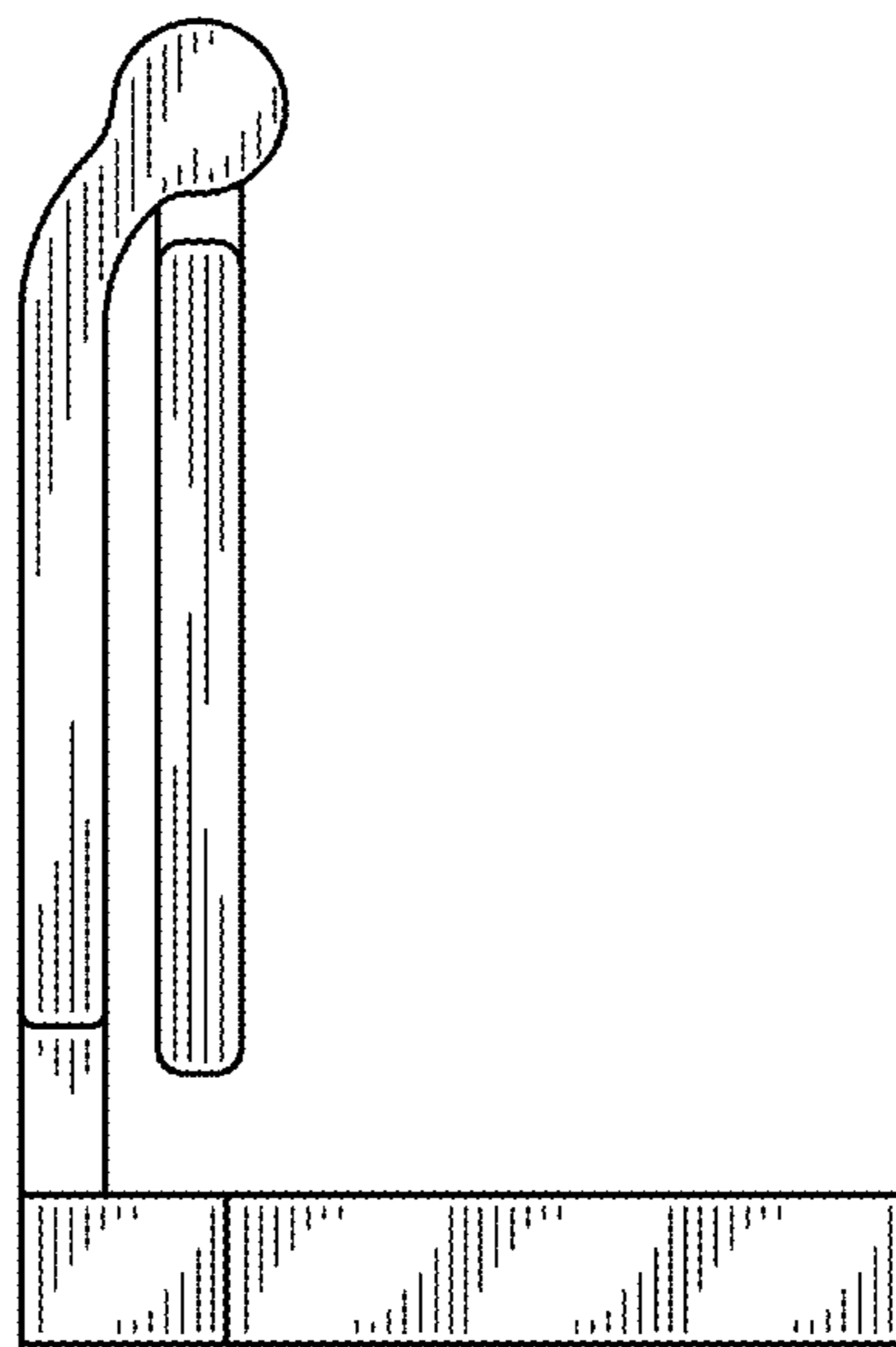
**FIG. 7**



**FIG. 8**



**FIG. 9**



**FIG. 10**