



US00D916663S

(12) **United States Design Patent**
Yanase et al.

(10) **Patent No.:** **US D916,663 S**
(45) **Date of Patent:** **** Apr. 20, 2021**

(54) **ELECTRIC CONNECTOR**

(71) Applicant: **SMK Corporation**, Tokyo (JP)

(72) Inventors: **Tomoyasu Yanase**, Tokyo (JP); **Kiyoshi Asai**, Kanagawa (JP); **Naoyuki Ono**, Chiba (JP); **Hiroyasu Kamatani**, Tokyo (JP)

(73) Assignee: **SMK Corporation**, Tokyo (JP)

(**) Term: **15 Years**

(21) Appl. No.: **29/724,512**

(22) Filed: **Feb. 16, 2020**

(30) **Foreign Application Priority Data**

Sep. 27, 2019 (JP) 2019-021615

(51) **LOC (13) Cl.** **13-03**

(52) **U.S. Cl.**
USPC **D13/146**

(58) **Field of Classification Search**
USPC D13/103, 110, 118-120, 123, 133, 146,
D13/147, 149, 154, 173, 174, 178, 184,
D13/199
CPC H01R 12/00; H01R 12/70; H01R 12/71;
H01R 12/75; H01R 13/00; H01R 13/24;
H01R 13/42; H01R 13/627; H01R
13/631; H01R 13/6585; H01R 24/00;
H01R 24/60
See application file for complete search history.

(56) **References Cited**

U.S. PATENT DOCUMENTS

9,450,340 B2 * 9/2016 Uratani H01R 13/6585
10,468,827 B2 * 11/2019 Chen H01R 12/707

D877,704 S * 3/2020 Takenaga D13/147
10,819,052 B2 * 10/2020 Ueda H01R 13/20
2014/0273587 A1 * 9/2014 Takenaga H01R 13/6275
439/345
2014/0377994 A1 * 12/2014 Miyazaki H01R 12/716
439/620.01
2017/0033505 A1 * 2/2017 Ozeki H01R 12/716
2017/0264048 A1 * 9/2017 Ashibu H01R 12/716
2018/0198242 A1 * 7/2018 Chuang H01R 12/707
2019/0273334 A1 * 9/2019 Hashiguchi H01R 12/7011
2020/0412039 A1 * 12/2020 Chen H01R 13/113
2021/0005990 A1 * 1/2021 Zhang H01R 12/57
2021/0005993 A1 * 1/2021 Yanas H01R 12/716

FOREIGN PATENT DOCUMENTS

JP 2020107472 A * 7/2020 H01R 12/73

* cited by examiner

Primary Examiner — Angela J Lee

Assistant Examiner — Shawn T Gingrich

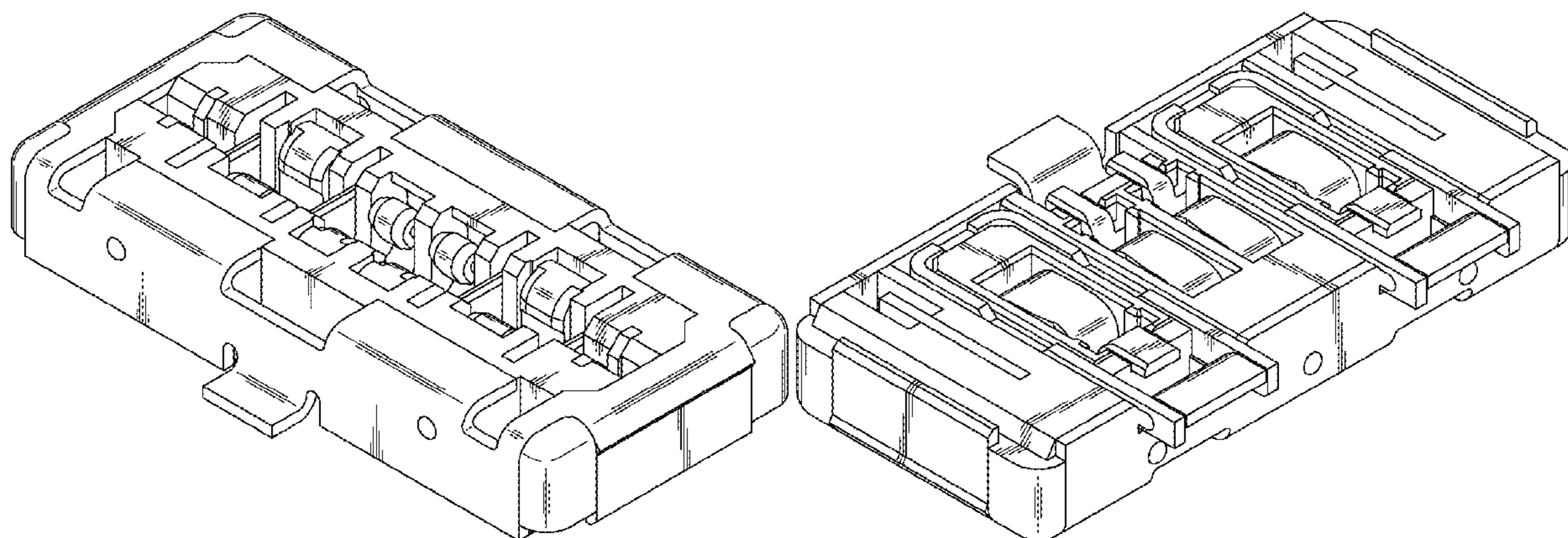
(57) **CLAIM**

The ornamental design for an electric connector, as shown and described.

DESCRIPTION

FIG. 1 is a 1st perspective view of an electric connector, showing our new design;
FIG. 2 is a 2nd perspective view thereof;
FIG. 3 is a front elevation view thereof;
FIG. 4 is a rear elevation view thereof;
FIG. 5 is a top plan view thereof;
FIG. 6 is a bottom plan view thereof; and,
FIG. 7 is a left side view thereof, with the right side view being symmetrical to the left side view.
The shadings in the figures show contour and not surface ornamentation.

1 Claim, 7 Drawing Sheets



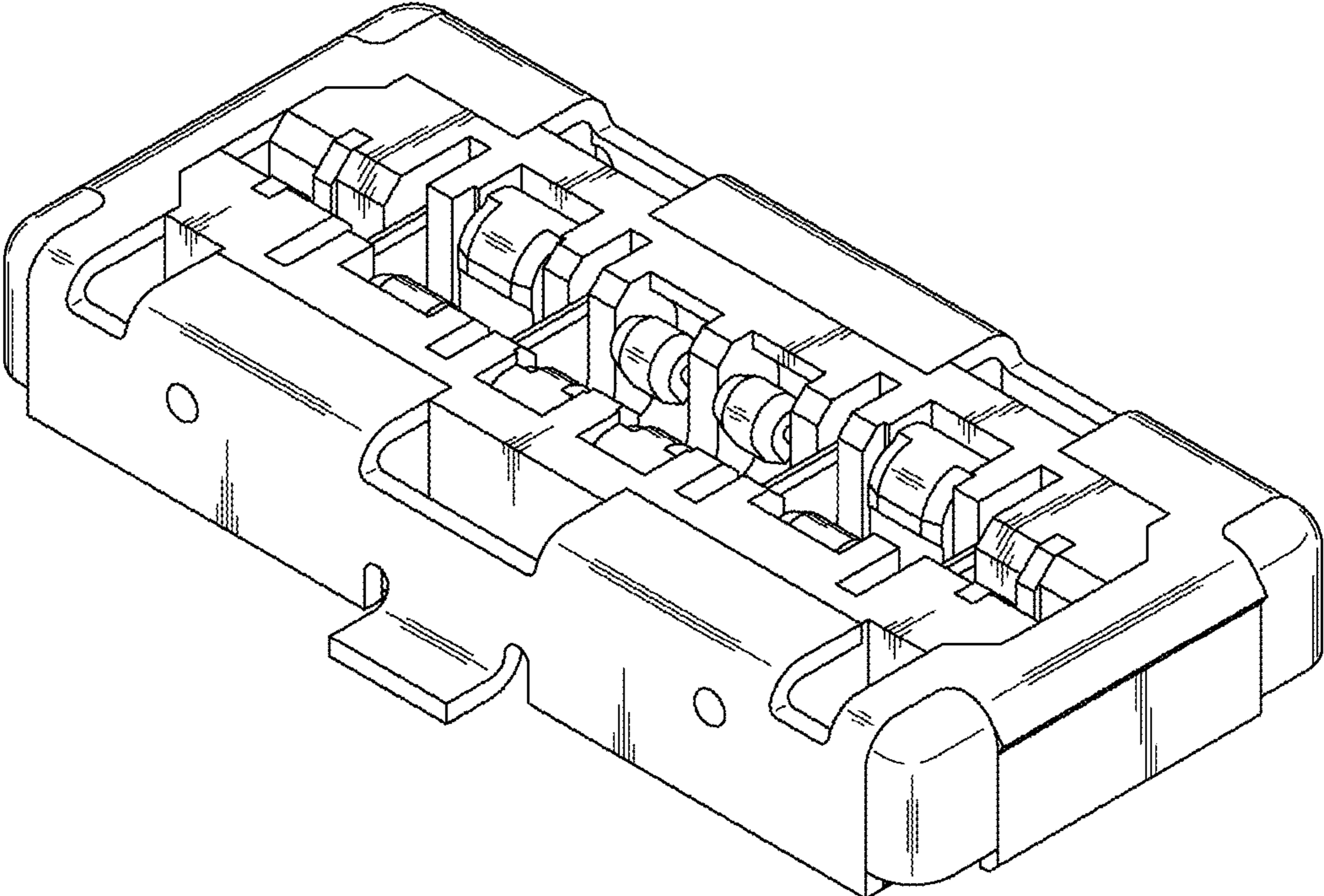


Fig. 1

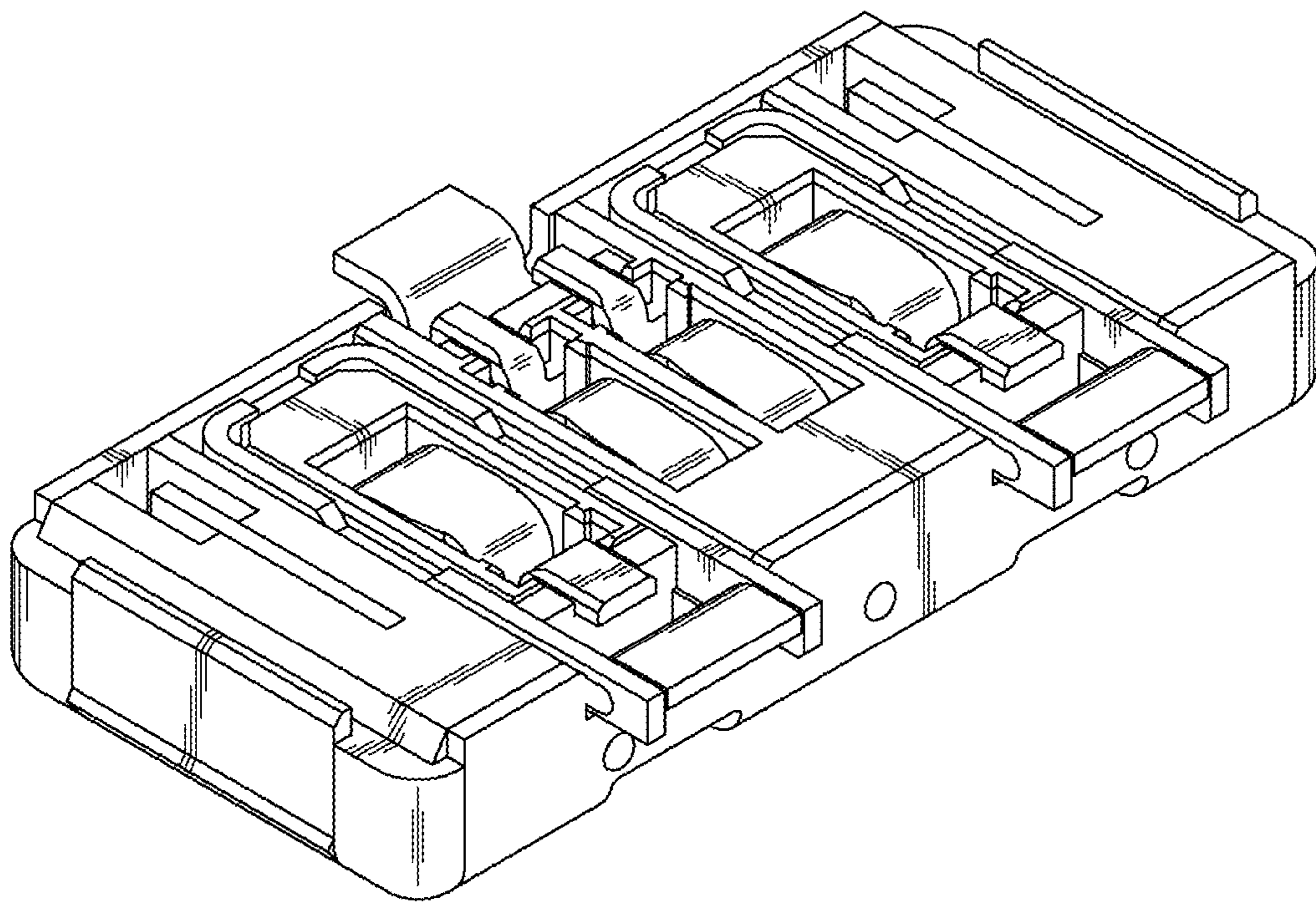


Fig. 2

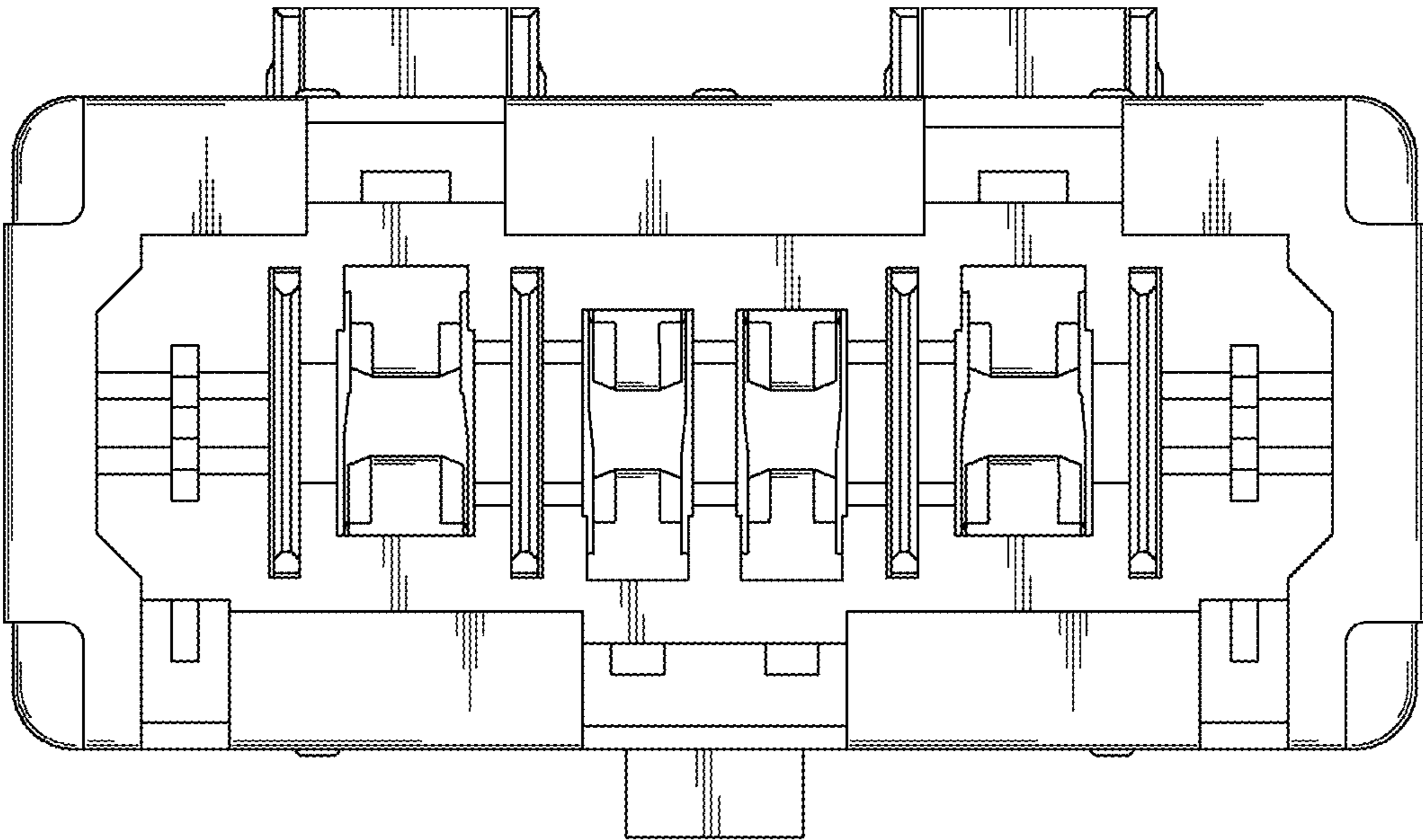


Fig. 3

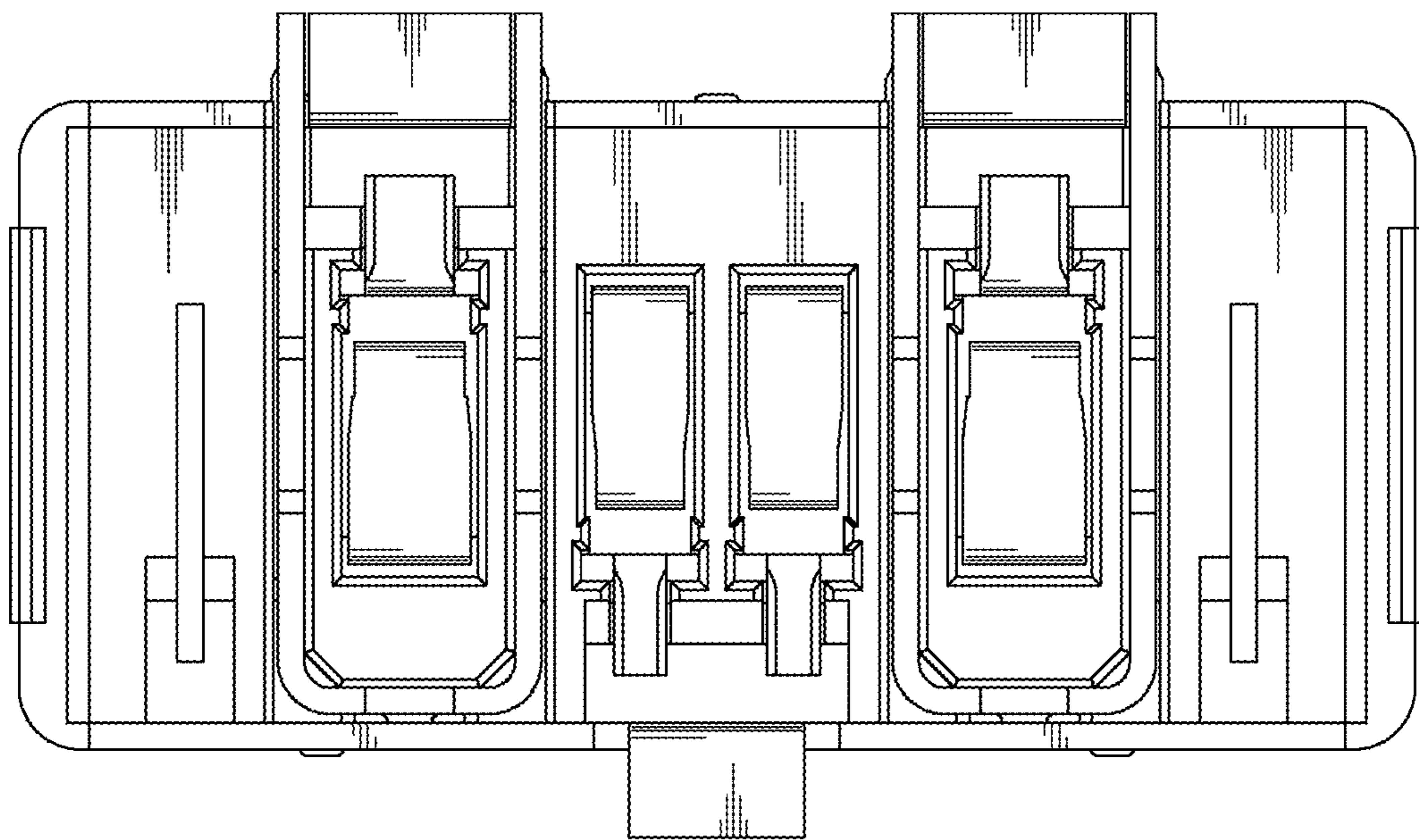


Fig. 4

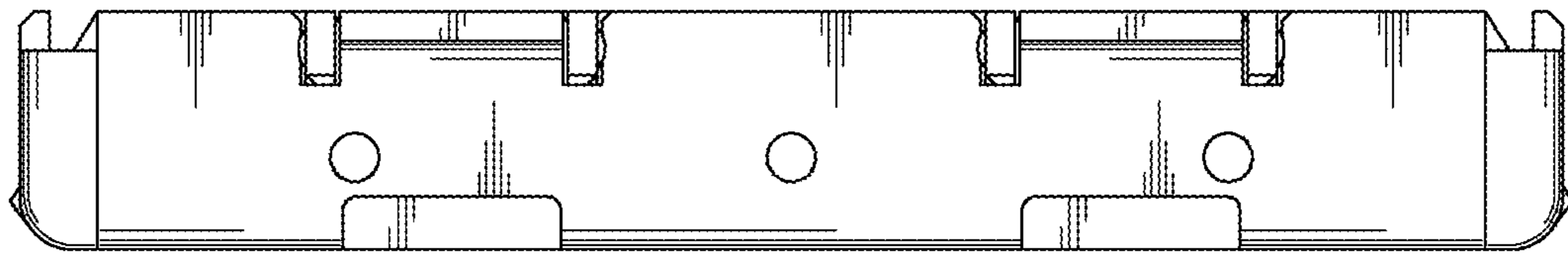


Fig. 5

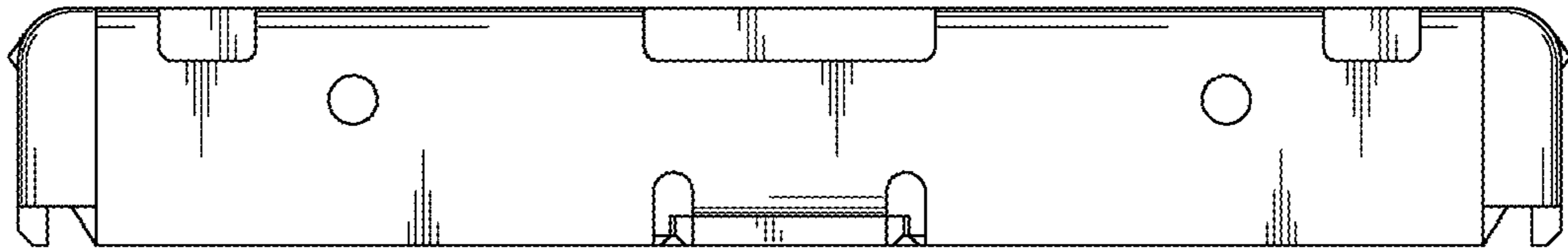


Fig. 6

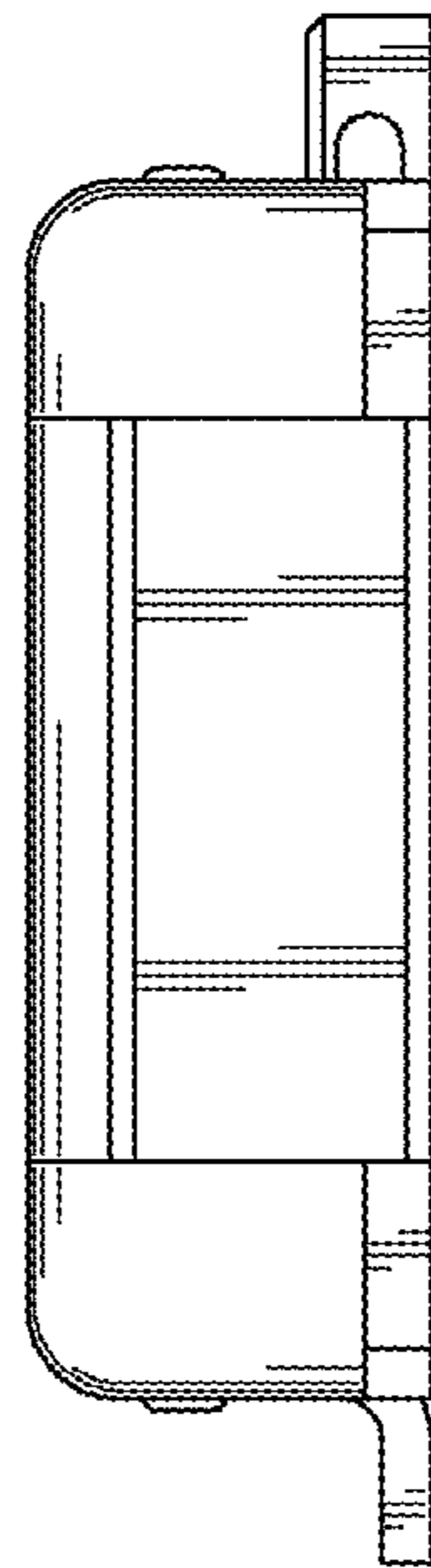


Fig. 7