



US00D916662S

(12) **United States Design Patent**
Nagasawa et al.

(10) **Patent No.:** **US D916,662 S**
(45) **Date of Patent:** **** Apr. 20, 2021**

(54) **WATERPROOF ELECTRICAL CONNECTOR**

(71) Applicant: **Yazaki Corporation**, Tokyo (JP)

(72) Inventors: **Masanori Nagasawa**, Makinohara (JP);
Kaoru Matsumura, Makinohara (JP)

(73) Assignee: **YAZAKI CORPORATION**, Tokyo
(JP)

(**) Term: **15 Years**

(21) Appl. No.: **29/705,961**

(22) Filed: **Sep. 17, 2019**

(30) **Foreign Application Priority Data**

Mar. 26, 2019 (JP) 2019-006356

(51) **LOC (13) Cl.** **13-03**

(52) **U.S. Cl.**
USPC **D13/133; D13/146**

(58) **Field of Classification Search**
USPC D13/103, 107, 108, 118–121, 123, 133,
D13/145–147, 149, 151, 153, 154, 173,
D13/184, 199

CPC H01R 13/11; H01R 13/42; H01R 13/422;
H01R 13/426; H01R 13/52; H01R 13/58;
H01R 13/62; H01R 13/627

See application file for complete search history.

(56) **References Cited**

U.S. PATENT DOCUMENTS

D323,151 S * 1/1992 Nagasaka D13/147
D324,028 S * 2/1992 Sueyoshi D13/133
D324,510 S * 3/1992 Sueyoshi D13/133
D330,886 S * 11/1992 Takenouchi D13/146
D336,283 S * 6/1993 Ohkura D13/147
5,516,300 A * 5/1996 Tsuji H01R 13/701
200/51 R
10,224,665 B2 * 3/2019 Iida H01R 13/4361

10,290,970 B1 * 5/2019 Weber, Jr. H01R 13/5829
D870,673 S * 12/2019 Obata D13/147
10,749,293 B2 * 8/2020 Oishi H01R 13/631
10,756,485 B2 * 8/2020 Ohfuku H01R 13/6275
10,804,639 B2 * 10/2020 Masuda H01R 13/502
10,847,916 B2 * 11/2020 Endo H01R 13/4361
10,862,243 B2 * 12/2020 Nishiyama H01R 13/639
2005/0227548 A1 * 10/2005 Sian H01R 13/424
439/752
2013/0280949 A1 * 10/2013 Suzuki H01R 13/631
439/374
2016/0248192 A1 * 8/2016 Hamada H01R 24/28
2017/0018874 A1 * 1/2017 Kida H01R 13/6272
2017/0062969 A1 * 3/2017 Kida H01R 13/5219
2018/0040980 A1 * 2/2018 Matsumoto H01R 13/631
2019/0312373 A1 * 10/2019 Nakamura H01R 13/4364
2020/0106212 A1 * 4/2020 Endo H01R 13/639

* cited by examiner

Primary Examiner — Angela J Lee

Assistant Examiner — Shawn T Gingrich

(74) *Attorney, Agent, or Firm* — Sughrue Mion, PLLC

(57) **CLAIM**

The ornamental design for the waterproof electrical connector, as shown and described.

DESCRIPTION

FIG. 1 is a front perspective view of a waterproof electrical connector,
FIG. 2 is a rear perspective view thereof,
FIG. 3 is a front view thereof,
FIG. 4 is a rear view thereof,
FIG. 5 is a left side view thereof,
FIG. 6 is a right side view thereof,
FIG. 7 is a top plan view thereof,
FIG. 8 is a bottom plan view thereof; and,
FIG. 9 is a sectional view cut by 9-9 in FIG. 3 thereof.
The broken lines in the Figs. depict environmental subject matter and form no part of the claimed design.

1 Claim, 5 Drawing Sheets

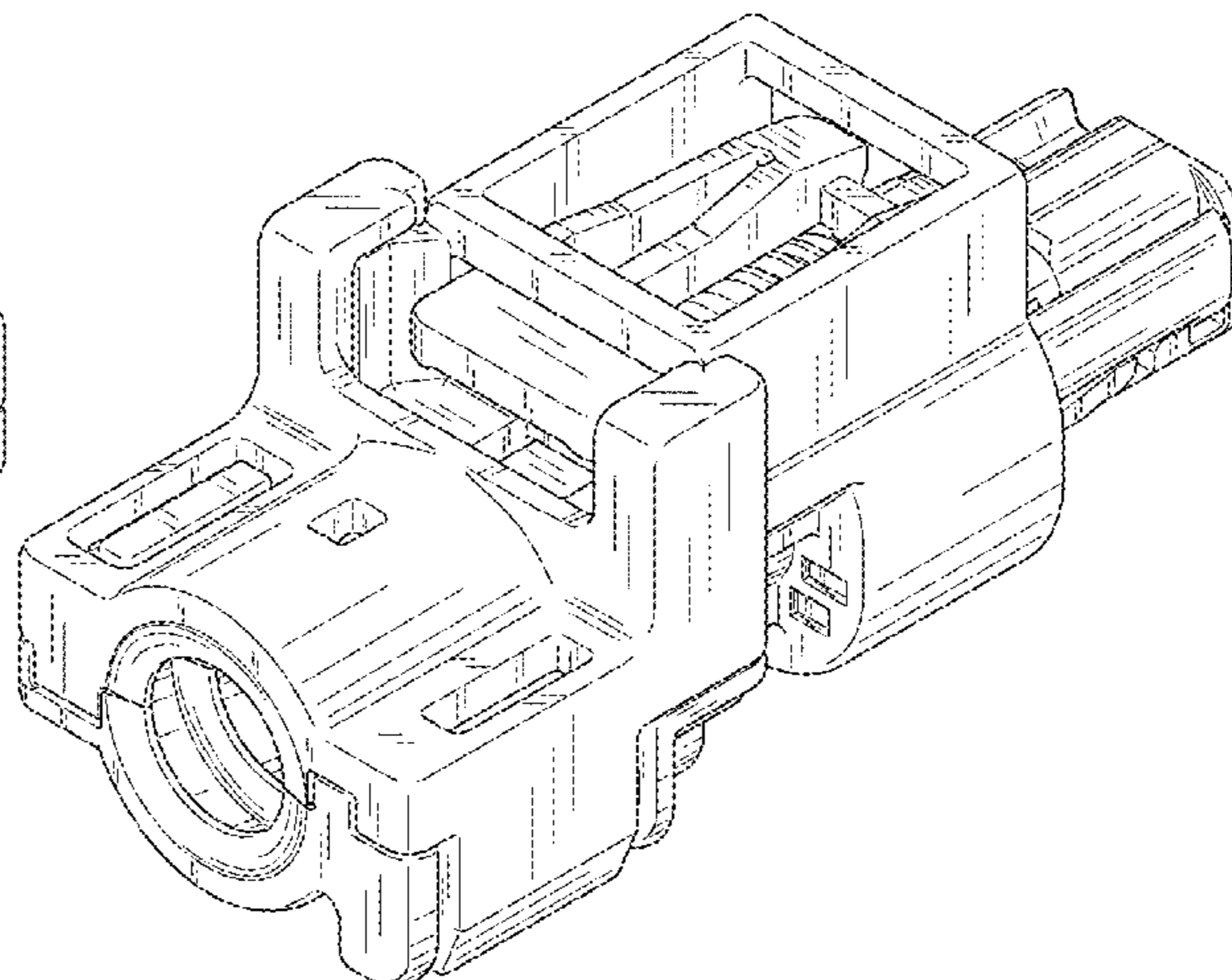
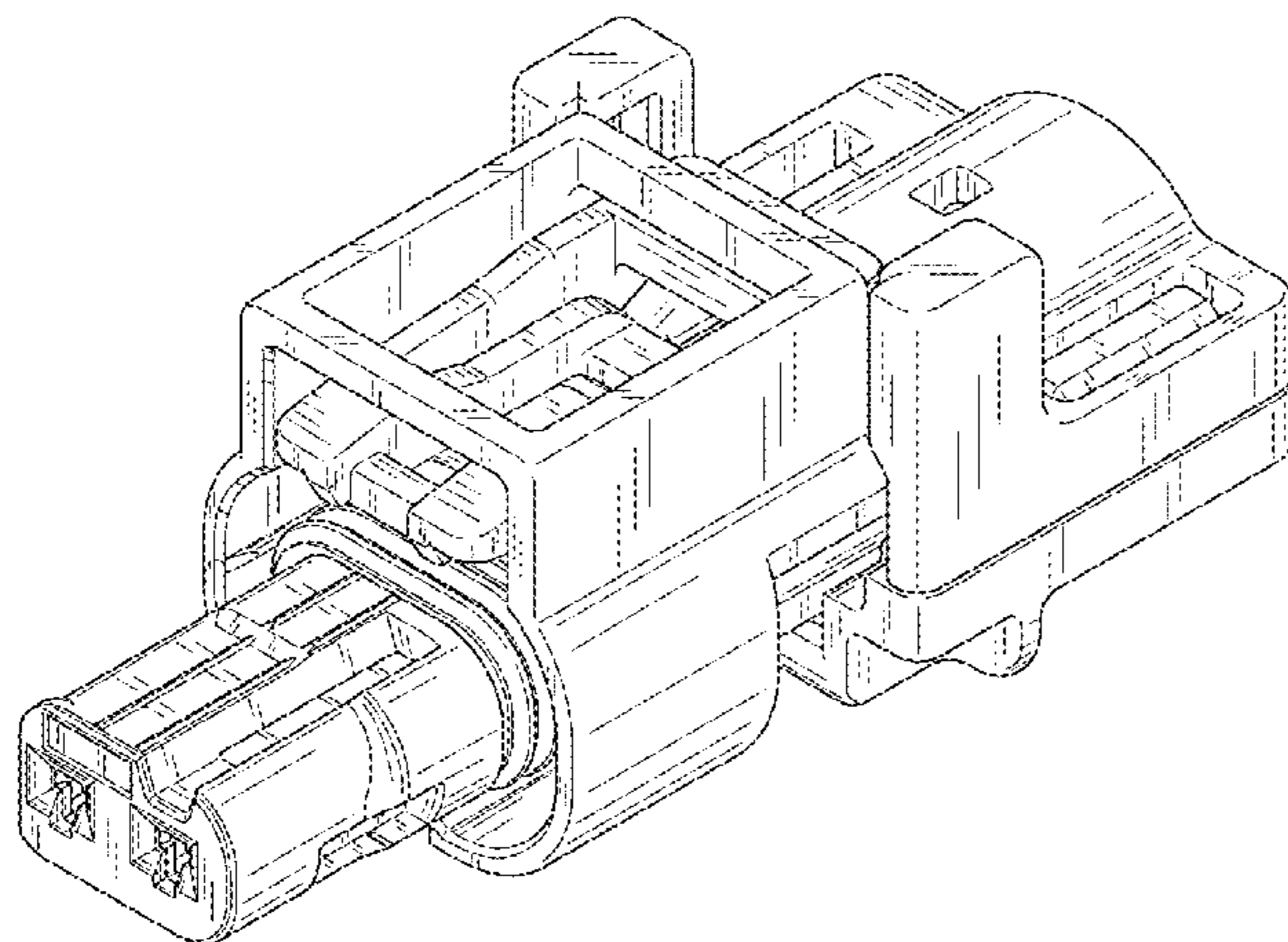


Fig. 1

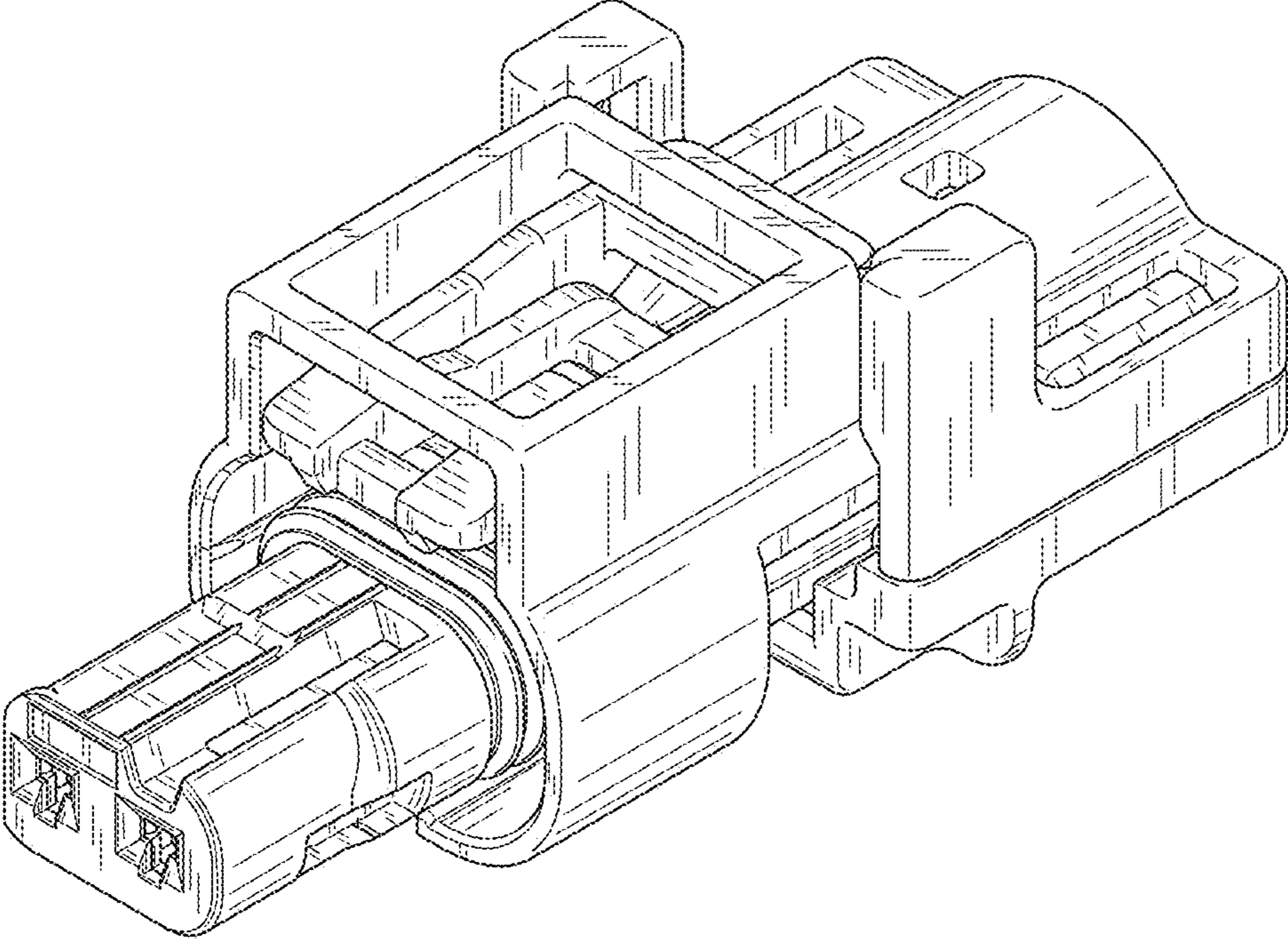


Fig. 2

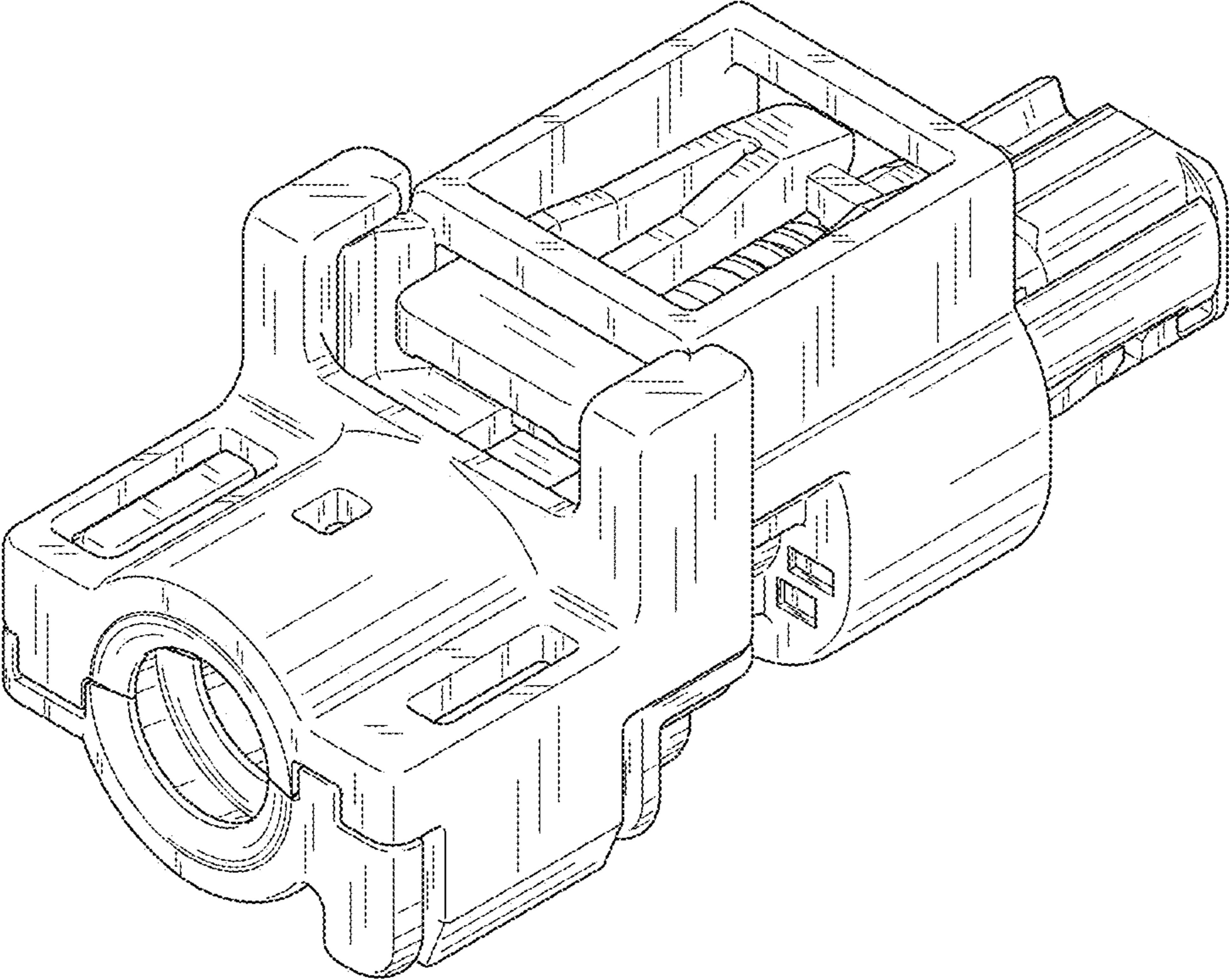


Fig. 3

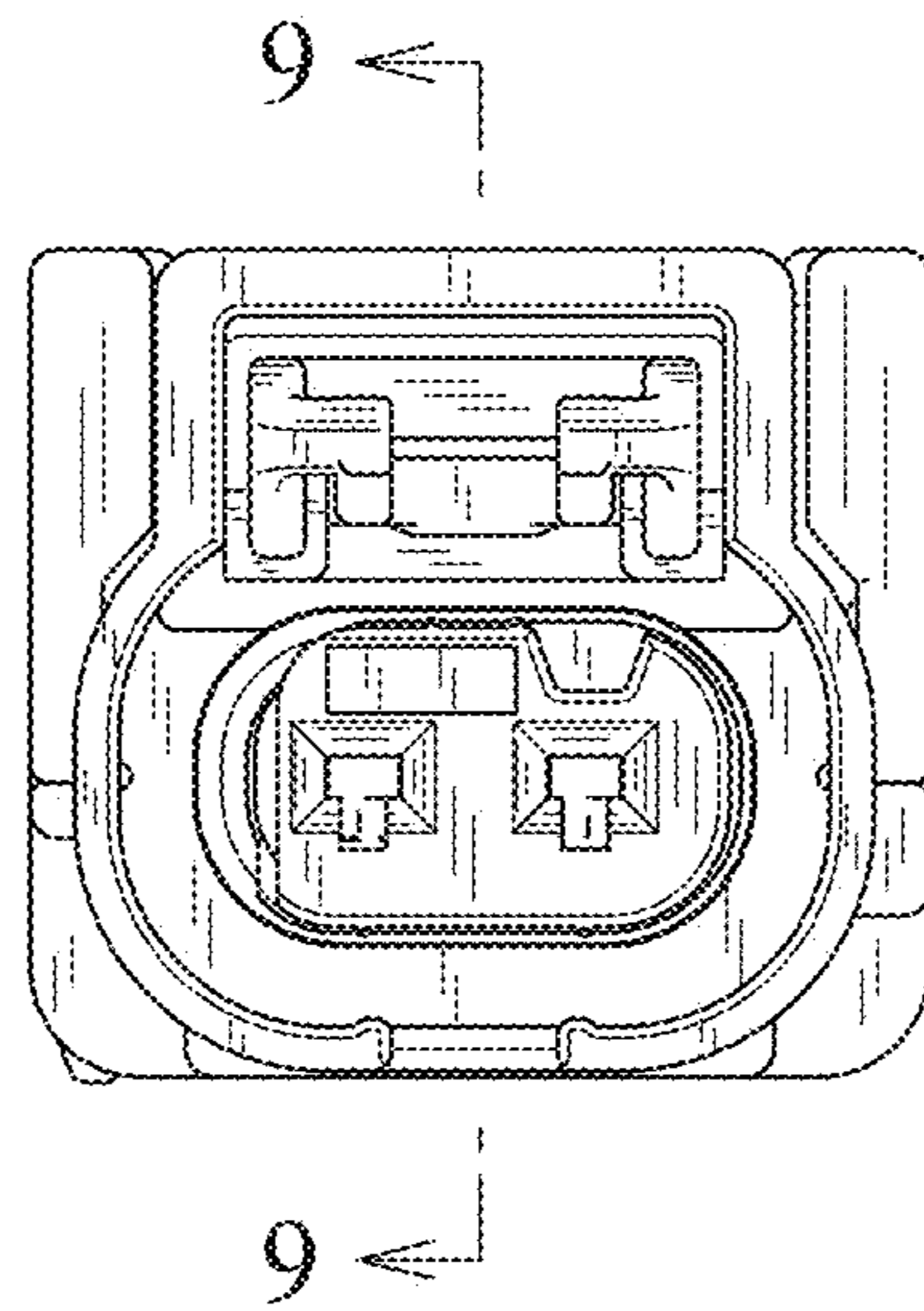


Fig. 4

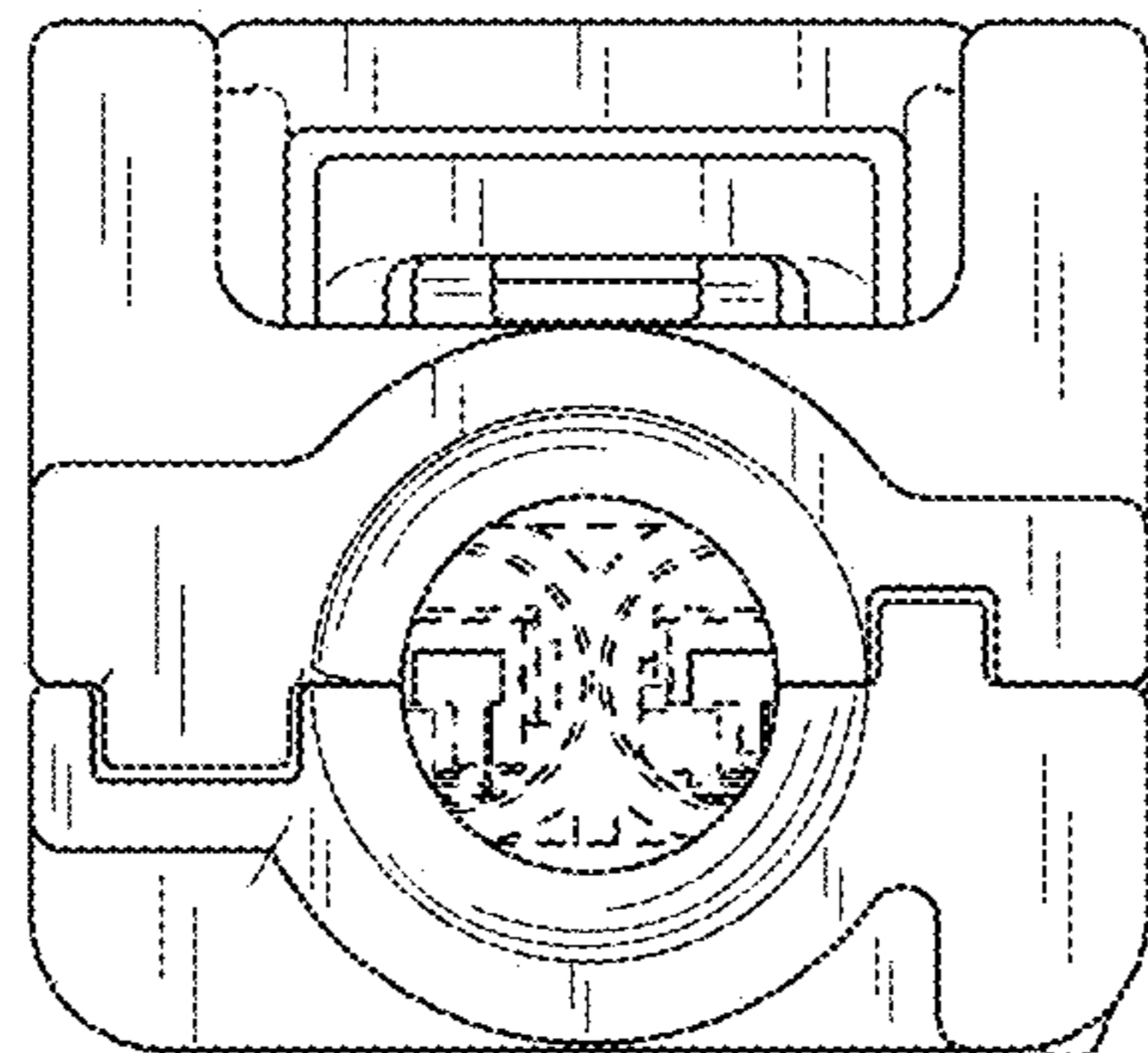


Fig. 5

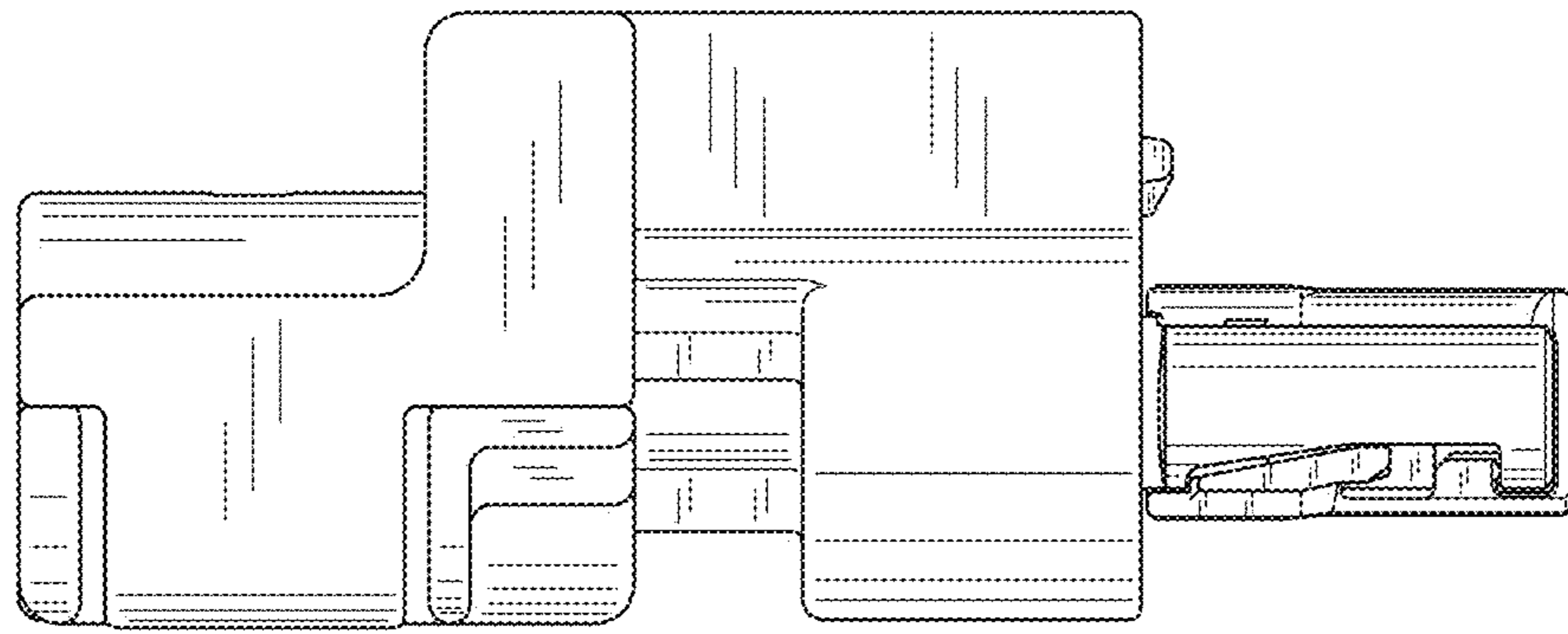


Fig. 6

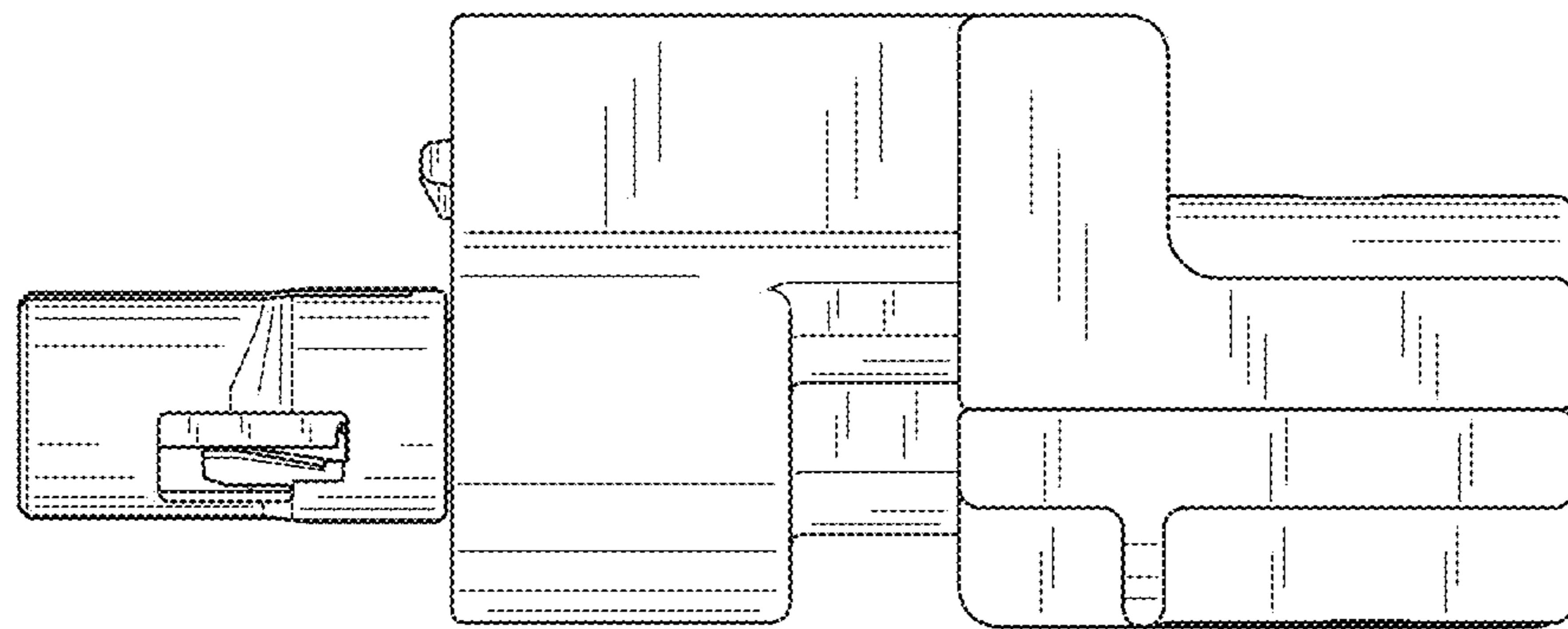


Fig. 7

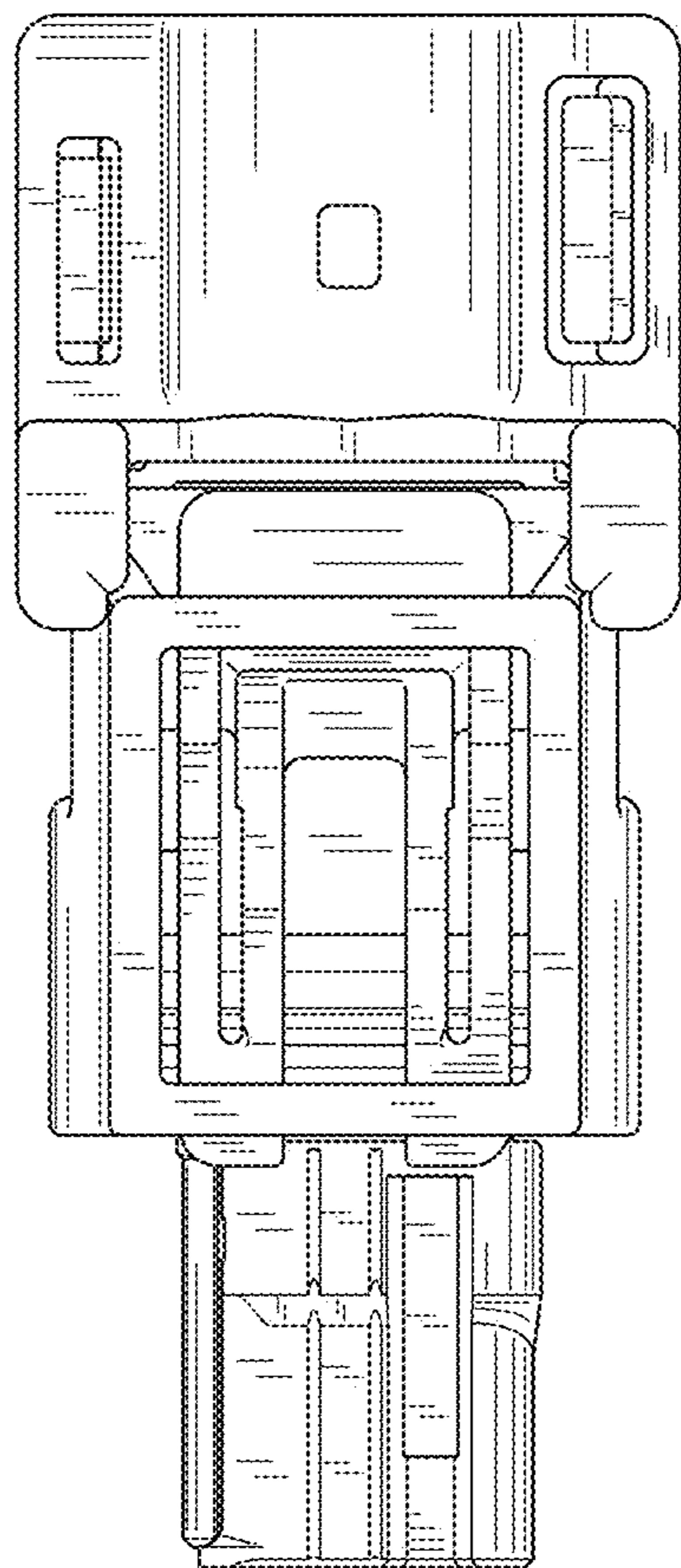


Fig. 8

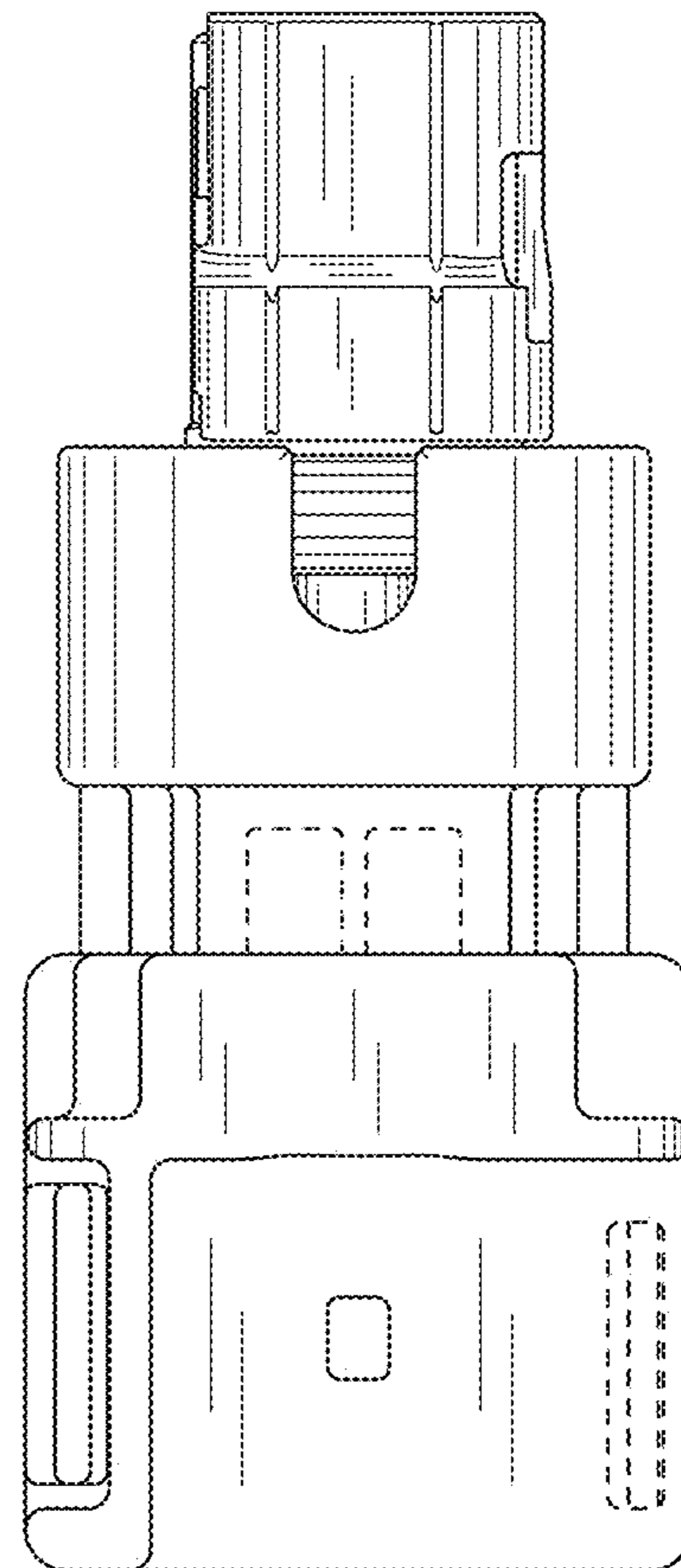


Fig. 9

