



US00D916661S

(12) **United States Design Patent**  
**Gregori**

(10) **Patent No.:** **US D916,661 S**  
(45) **Date of Patent:** **\*\* Apr. 20, 2021**

(54) **CONNECTOR HOUSING**

**DESCRIPTION**

(71) Applicant: **Molex, LLC**, Lisle, IL (US)  
(72) Inventor: **Timothy R. Gregori**, New Lenox, IL (US)  
(73) Assignee: **Molex, LLC**, Lisle, IL (US)  
(\*\*) Term: **15 Years**  
(21) Appl. No.: **29/638,769**  
(22) Filed: **Feb. 28, 2018**  
(51) **LOC (13) Cl.** ..... **13-02**  
(52) **U.S. Cl.**  
USPC ..... **D13/133**  
(58) **Field of Classification Search**  
USPC ..... D13/107, 110, 120, 133, 134, 146, 148,  
D13/149, 155, 156, 157, 184, 199;  
D8/396, 356; D23/242; D24/129  
(Continued)

(56) **References Cited**

**U.S. PATENT DOCUMENTS**

D308,512 S 6/1990 Endo et al.  
D308,513 S 6/1990 Endo et al.  
(Continued)

**FOREIGN PATENT DOCUMENTS**

TW D146800 5/2012  
TW D157157 11/2013  
TW D188260 2/2018

*Primary Examiner* — Jennifer O King

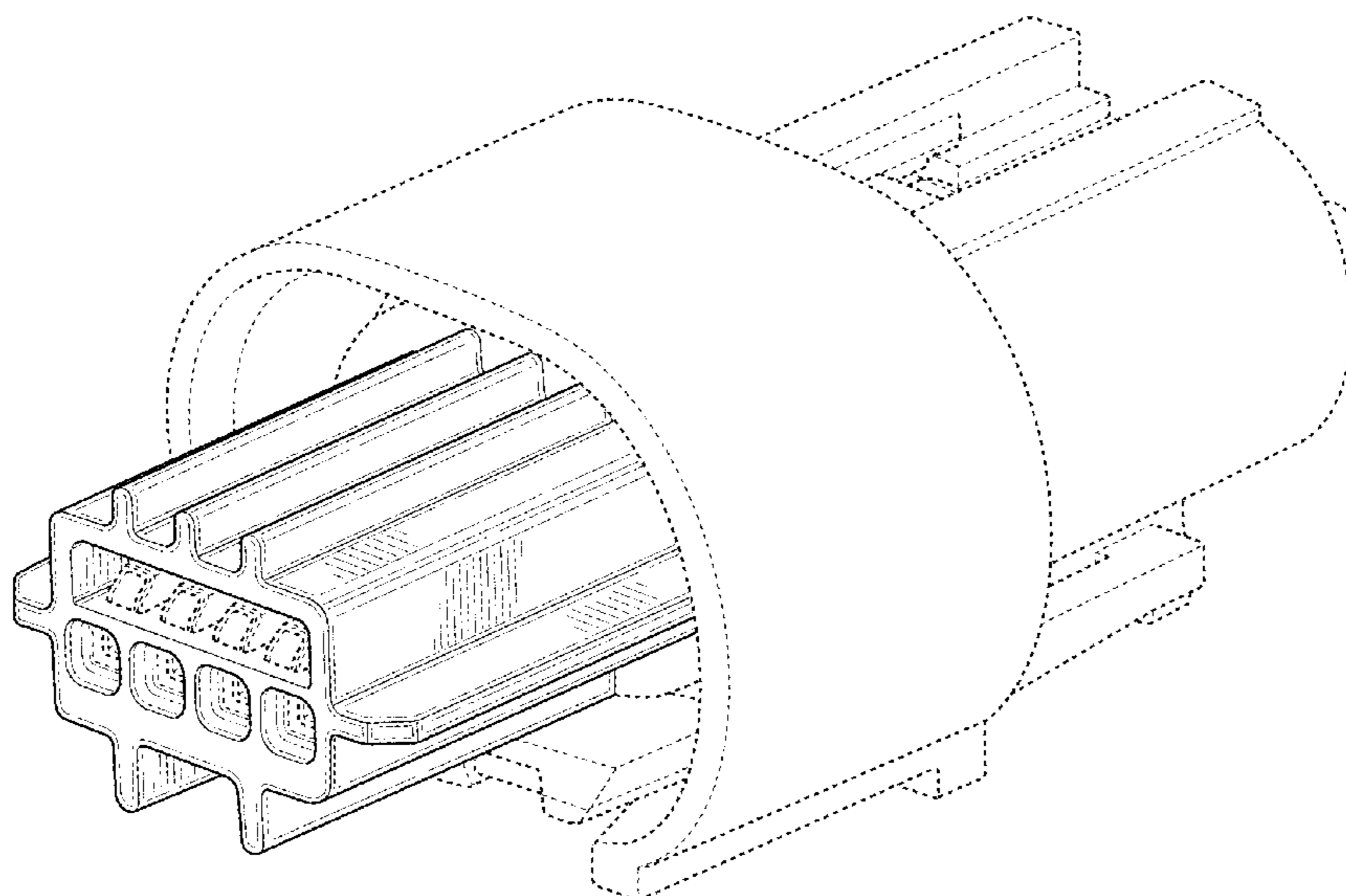
(74) *Attorney, Agent, or Firm* — Banner & Witcoff, Ltd.

(57) **CLAIM**

The ornamental design for a connector housing, as shown and described.

FIG. 1 is a rear perspective view of a connector housing showing my new design;  
FIG. 2 is a rear view thereof;  
FIG. 3 is a front view thereof;  
FIG. 4 is a right side view thereof;  
FIG. 5 is a left side view thereof;  
FIG. 6 is a top view thereof;  
FIG. 7 is a bottom perspective view thereof;  
FIG. 8 is a front perspective view thereof;  
FIG. 9 is a rear perspective view of an alternate embodiment of the connector housing showing my new design;  
FIG. 10 is a rear view thereof;  
FIG. 11 is a front view thereof;  
FIG. 12 is a right side view thereof;  
FIG. 13 is a left side view thereof;  
FIG. 14 is a top view thereof;  
FIG. 15 is a bottom perspective view thereof;  
FIG. 16 is a front perspective view thereof;  
FIG. 17 is a rear perspective view of an alternate embodiment of the connector housing showing my new design;  
FIG. 18 is a rear view thereof;  
FIG. 19 is a front view thereof;  
FIG. 20 is a right side view thereof;  
FIG. 21 is a left side view thereof;  
FIG. 22 is a top view thereof;  
FIG. 23 is a bottom view thereof;  
FIG. 24 is a front perspective view thereof;  
FIG. 25 is a rear perspective view of an alternate embodiment of the connector housing showing my new design;  
FIG. 26 is a rear view thereof;  
FIG. 27 is a front view thereof;  
FIG. 28 is a right side view thereof;  
FIG. 29 is a left side view thereof;  
FIG. 30 is a top view thereof;  
FIG. 31 is a bottom view thereof; and,  
FIG. 32 is a front perspective view thereof.  
The broken lines depicting the remainder of the connector housing show features that form no part of the claimed design.

**1 Claim, 32 Drawing Sheets**



(58) **Field of Classification Search**  
 CPC ..... H01R 13/447; H01R 13/6277; H01R  
 2201/26; G02B 6/3887; G02B 6/4471  
 See application file for complete search history.

(56) **References Cited**

U.S. PATENT DOCUMENTS

D315,717 S 3/1991 Takenouchi et al.  
 D319,813 S \* 9/1991 Kozono ..... D13/133  
 D323,316 S 1/1992 Ohkura et al.  
 D323,485 S 1/1992 Ohkura et al.  
 D336,283 S \* 6/1993 Ohkura ..... D13/147  
 D410,629 S \* 6/1999 Bandura ..... D13/147  
 6,077,101 A 6/2000 Garretson et al.  
 D463,776 S 10/2002 Chen  
 D479,199 S 9/2003 Jones et al.  
 D488,782 S \* 4/2004 Kashiyama ..... D13/133  
 D643,817 S 8/2011 Ando et al.

8,016,606 B1 9/2011 Kwan et al.  
 D704,647 S 5/2014 Grant et al.  
 9,812,813 B1 11/2017 Sakamoto et al.  
 D845,242 S \* 4/2019 Gregori ..... D13/133  
 D848,952 S \* 5/2019 Gregori ..... D13/147  
 D848,953 S \* 5/2019 Gregori ..... D13/147  
 D892,743 S \* 8/2020 Somanathapura Ramanna .....  
 D13/133  
 D893,426 S \* 8/2020 Somanathapura Ramanna .....  
 D13/133  
 2002/0111059 A1 8/2002 Raudenbush et al.  
 2006/0240718 A1 10/2006 Osada et al.  
 2007/0161284 A1 7/2007 Tyler  
 2008/0233773 A1 9/2008 Meleck  
 2016/0164224 A1 \* 6/2016 Sekino ..... H01R 13/6272  
 439/352  
 2017/0179646 A1 6/2017 Holub  
 2017/0317448 A1 11/2017 Benichou et al.

\* cited by examiner

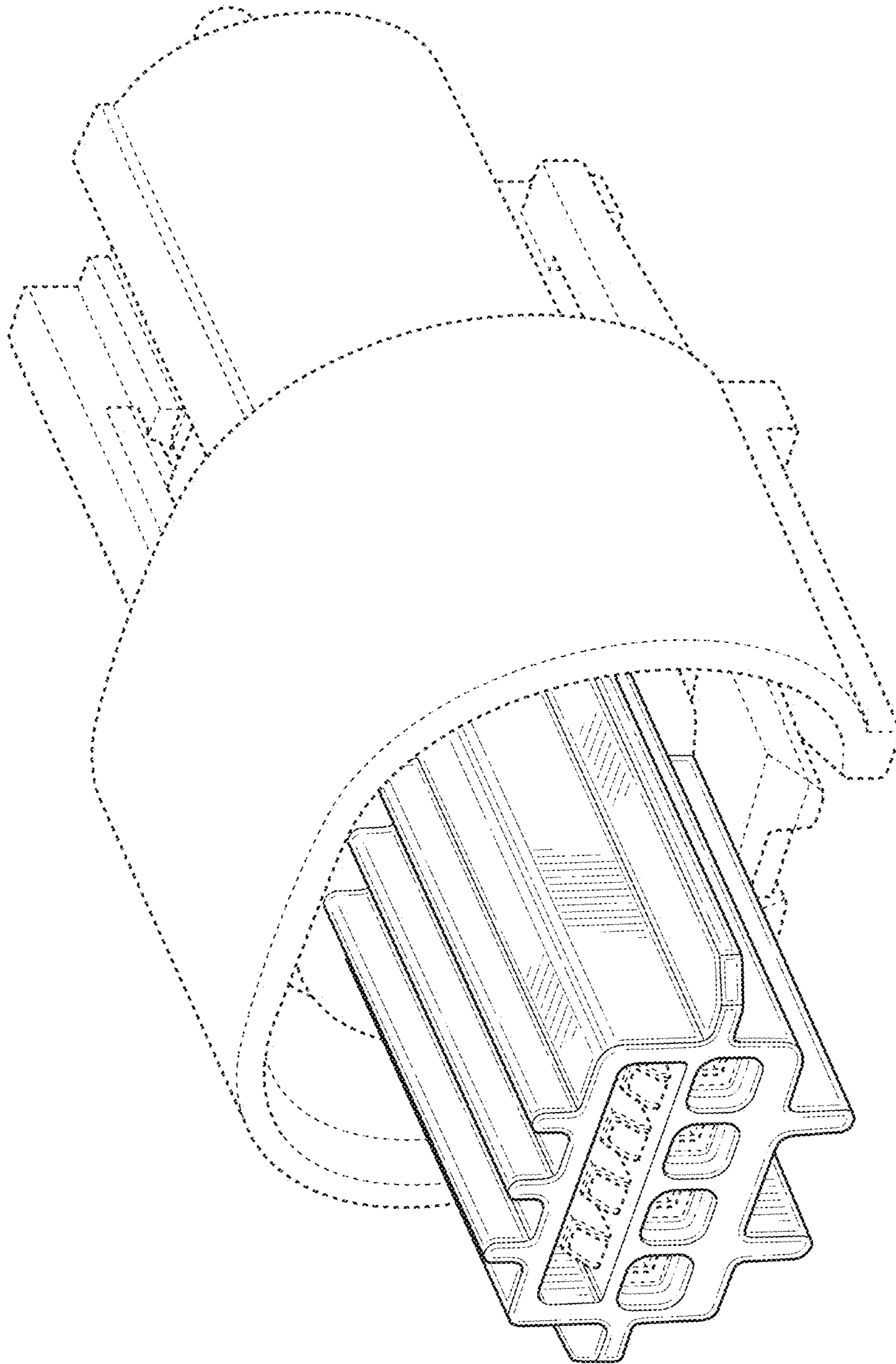


FIG. 1

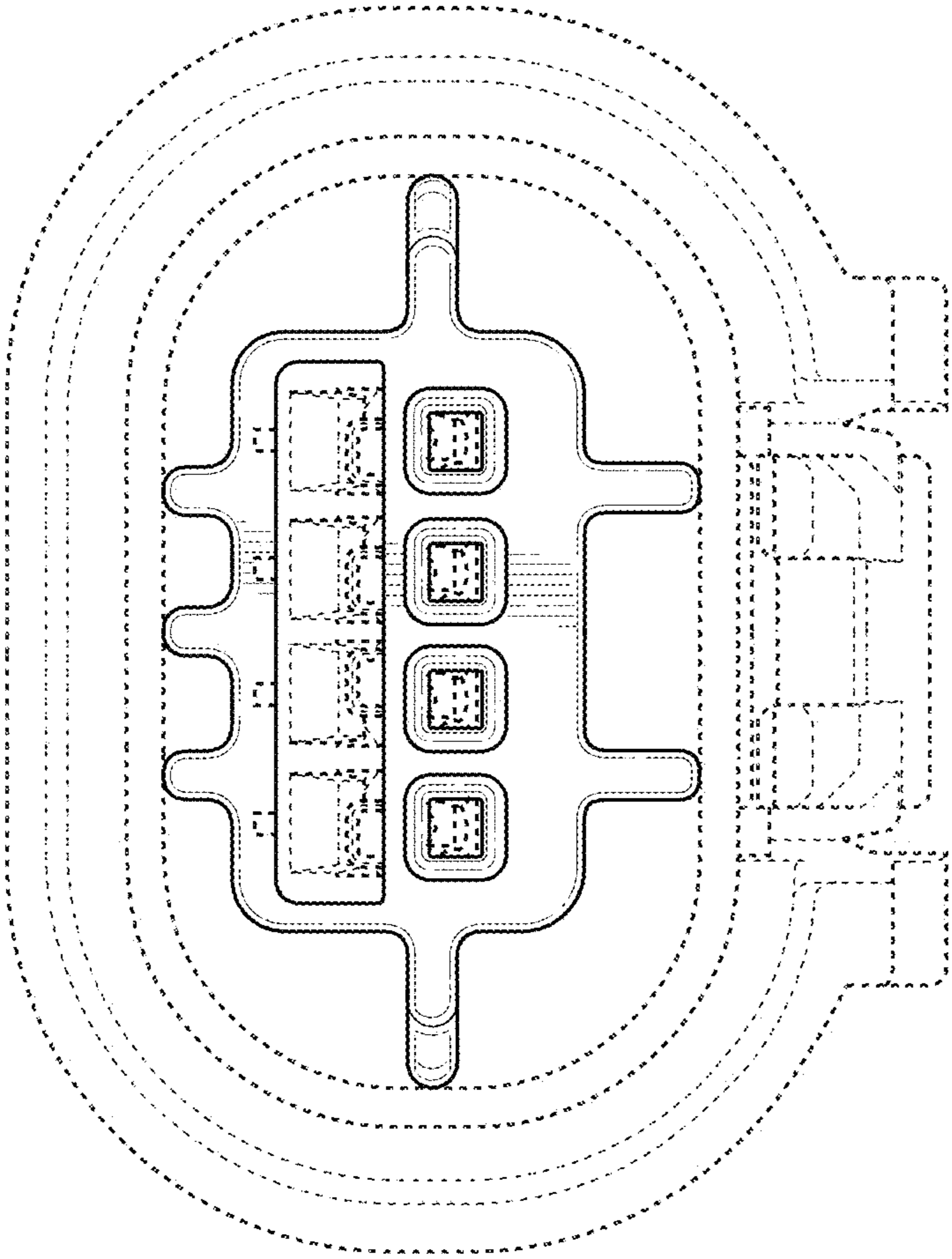


FIG. 2

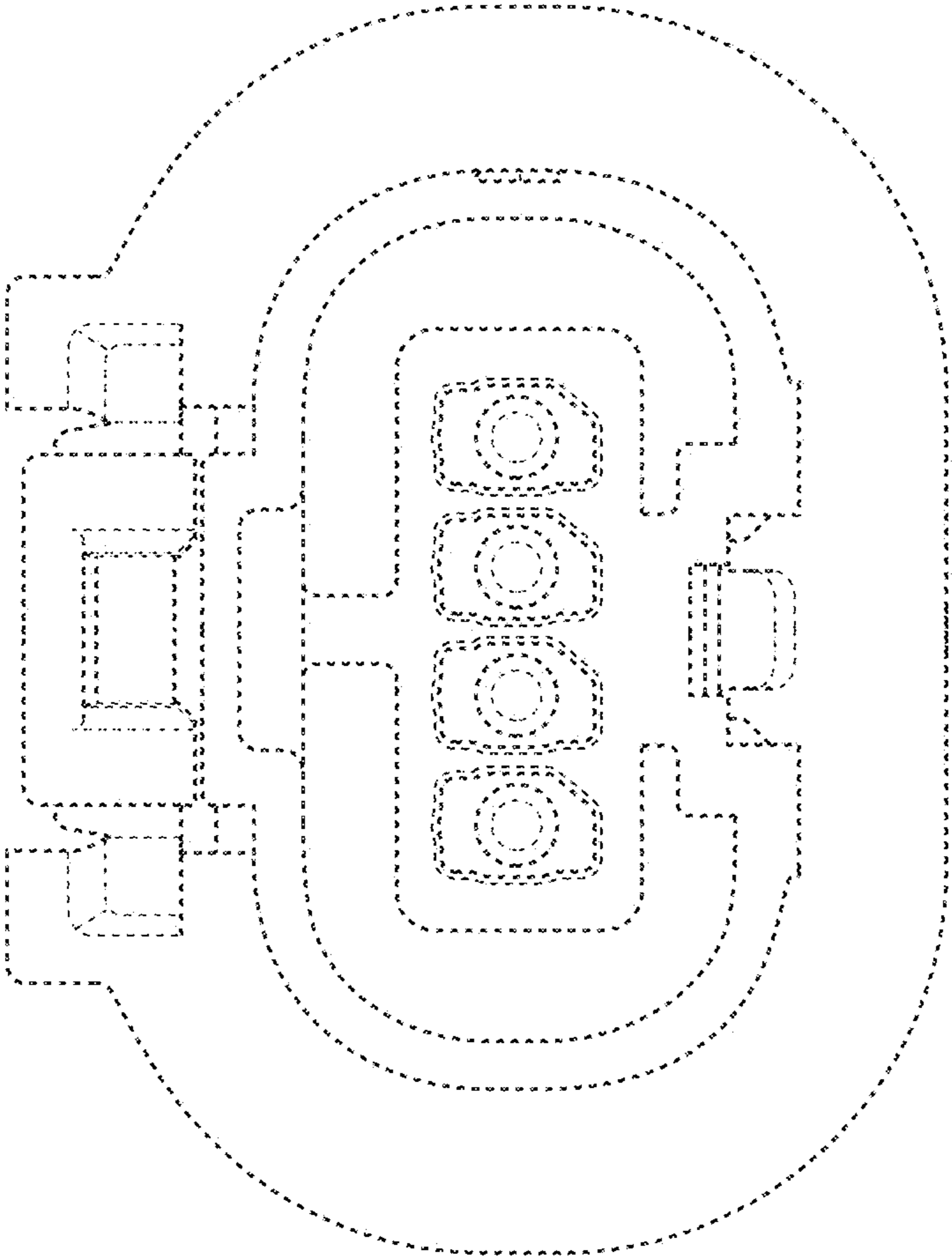


FIG. 3

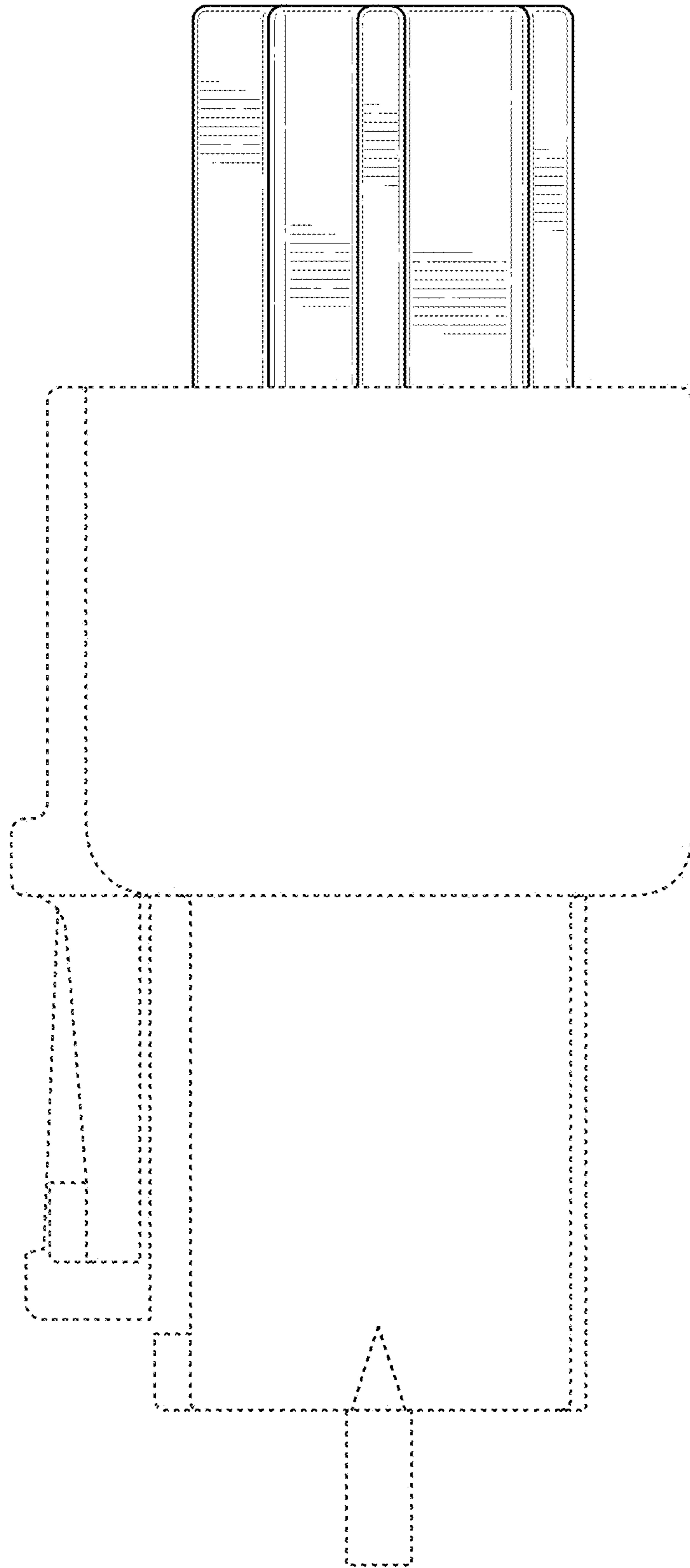


FIG. 4

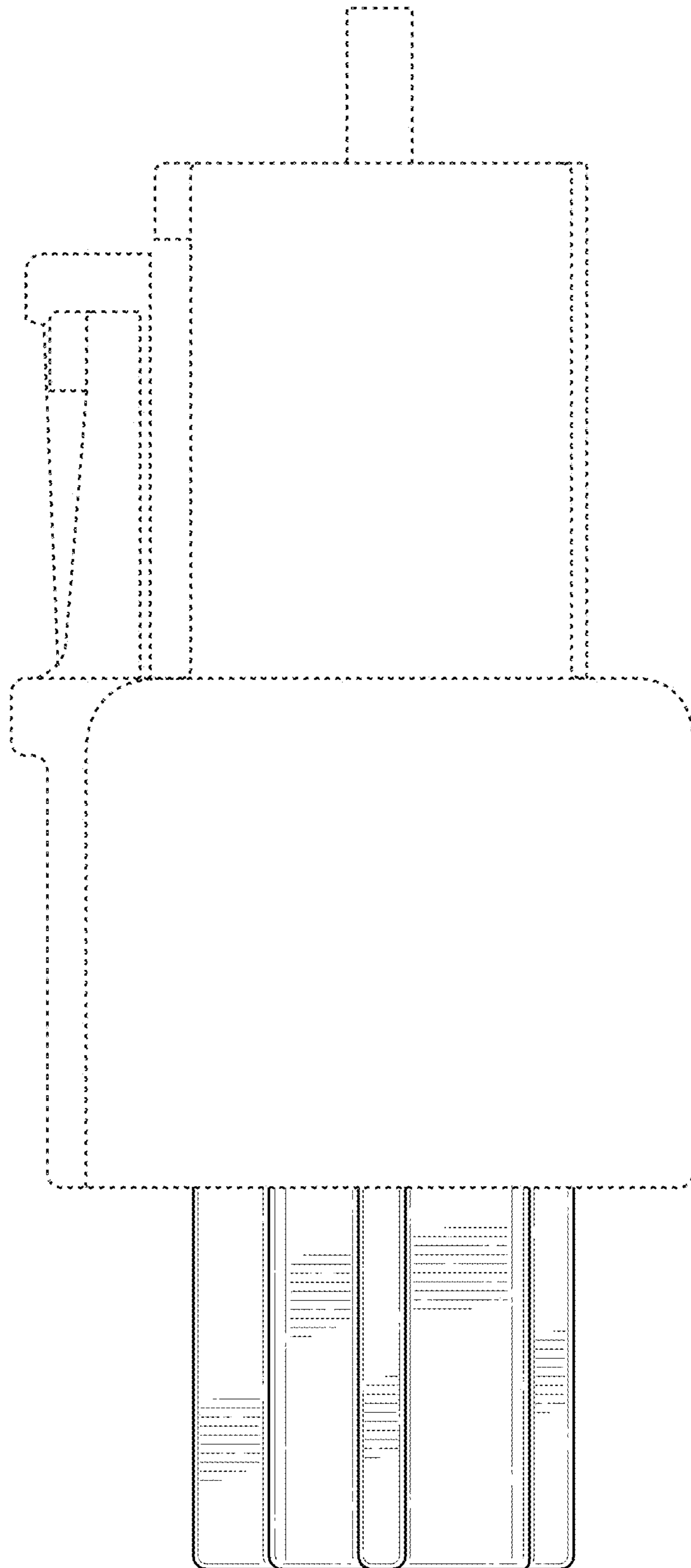


FIG. 5

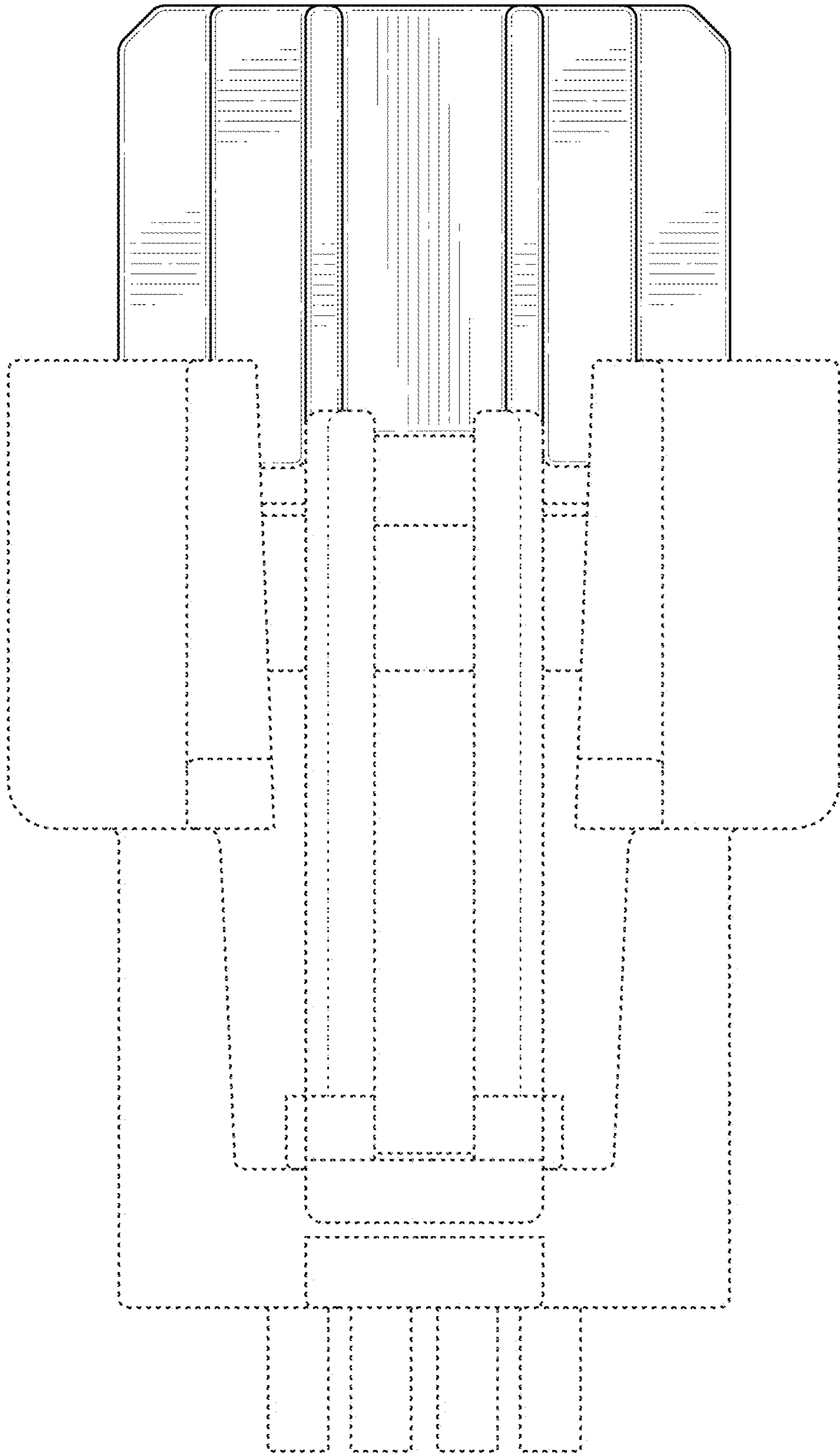


FIG. 6



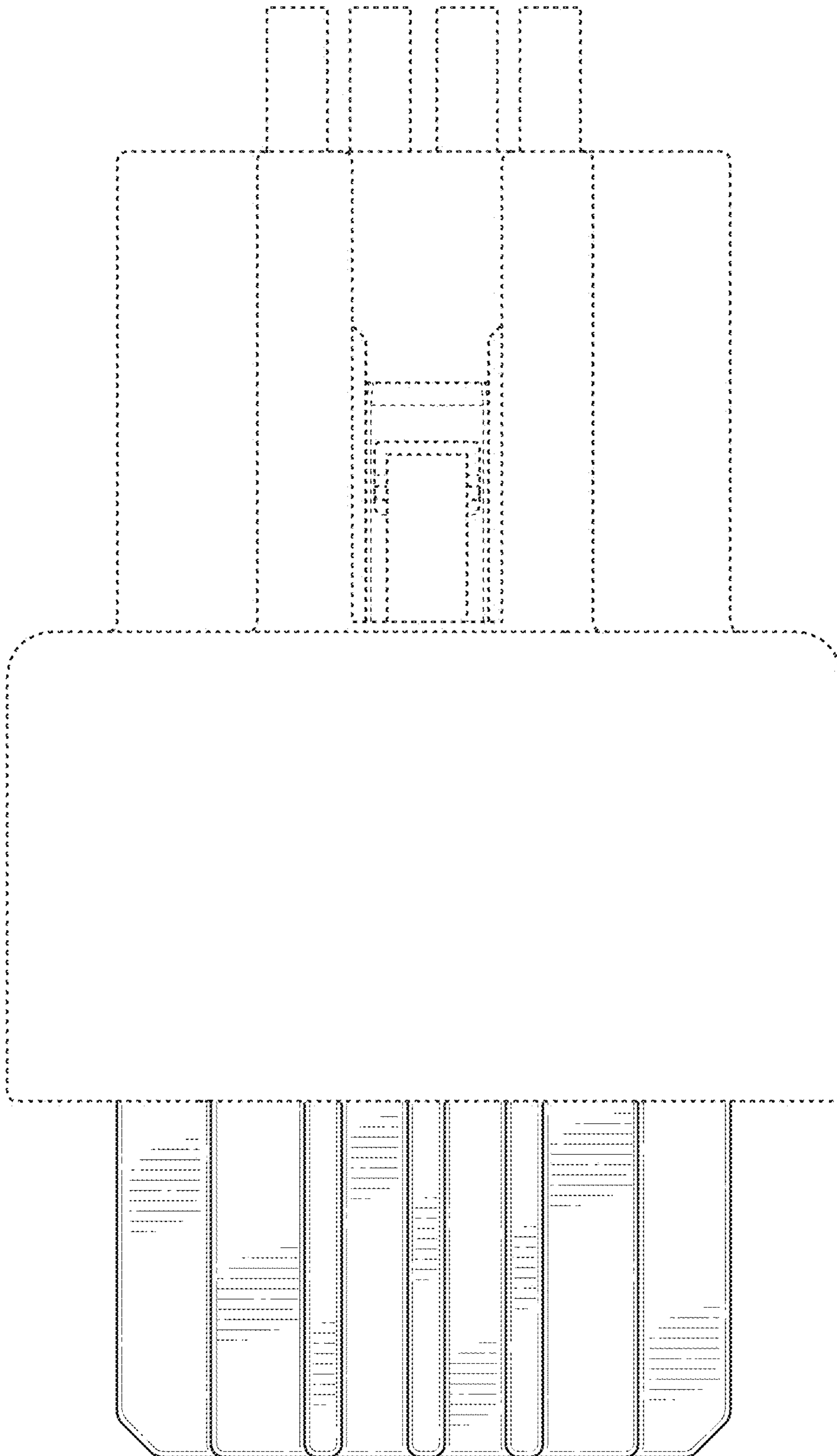


FIG. 7

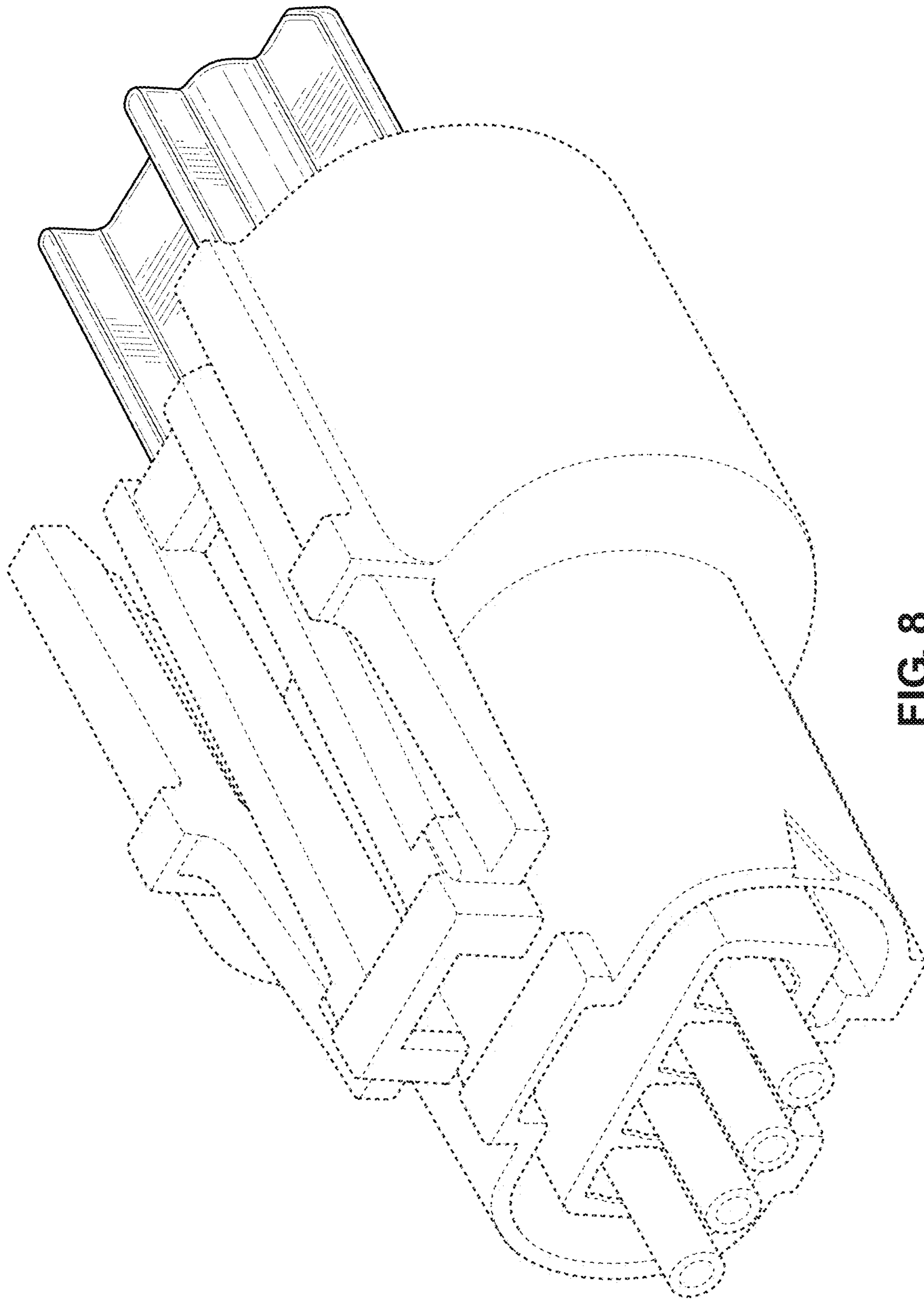


FIG. 8

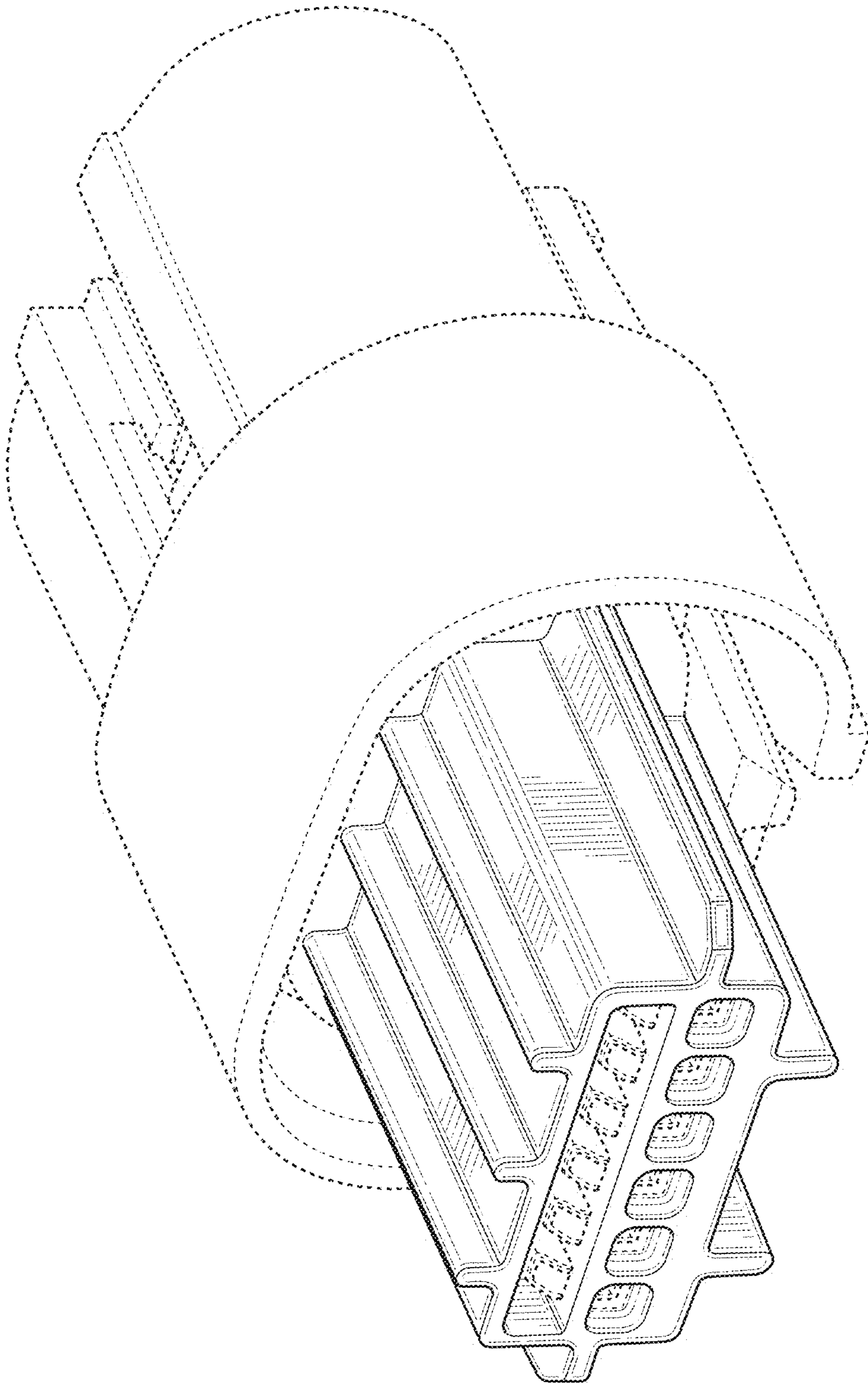


FIG. 9

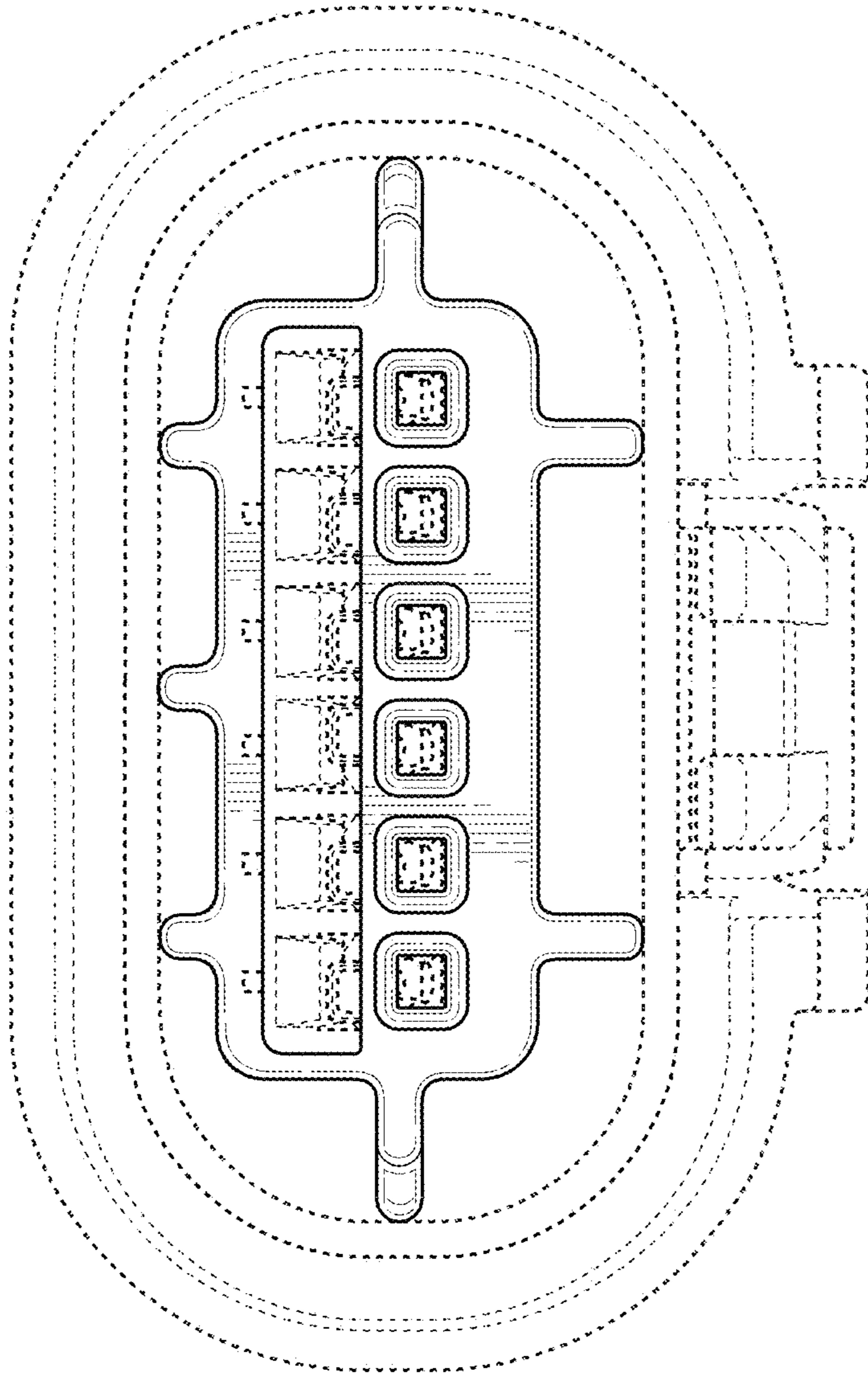


FIG. 10

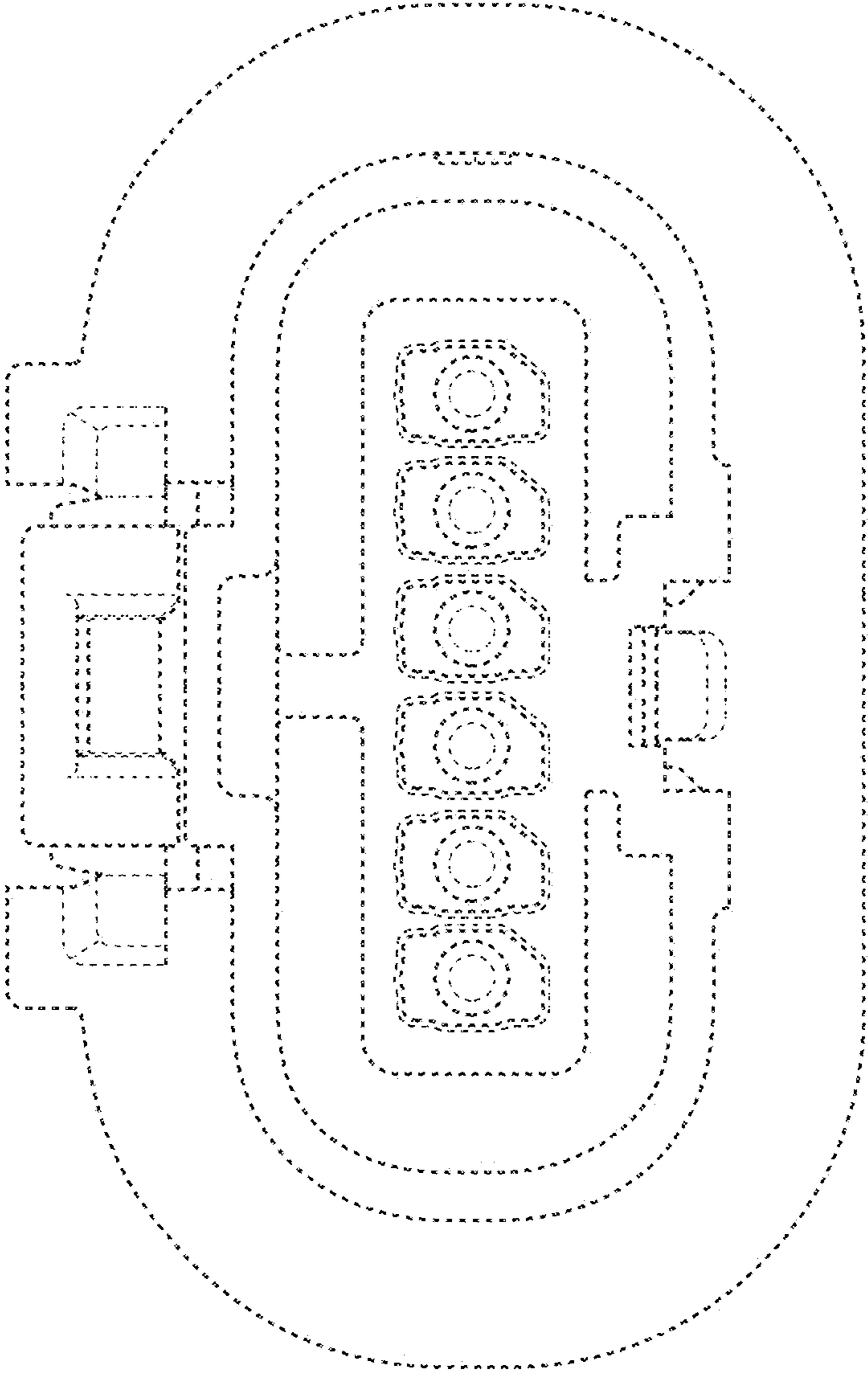


FIG. 11

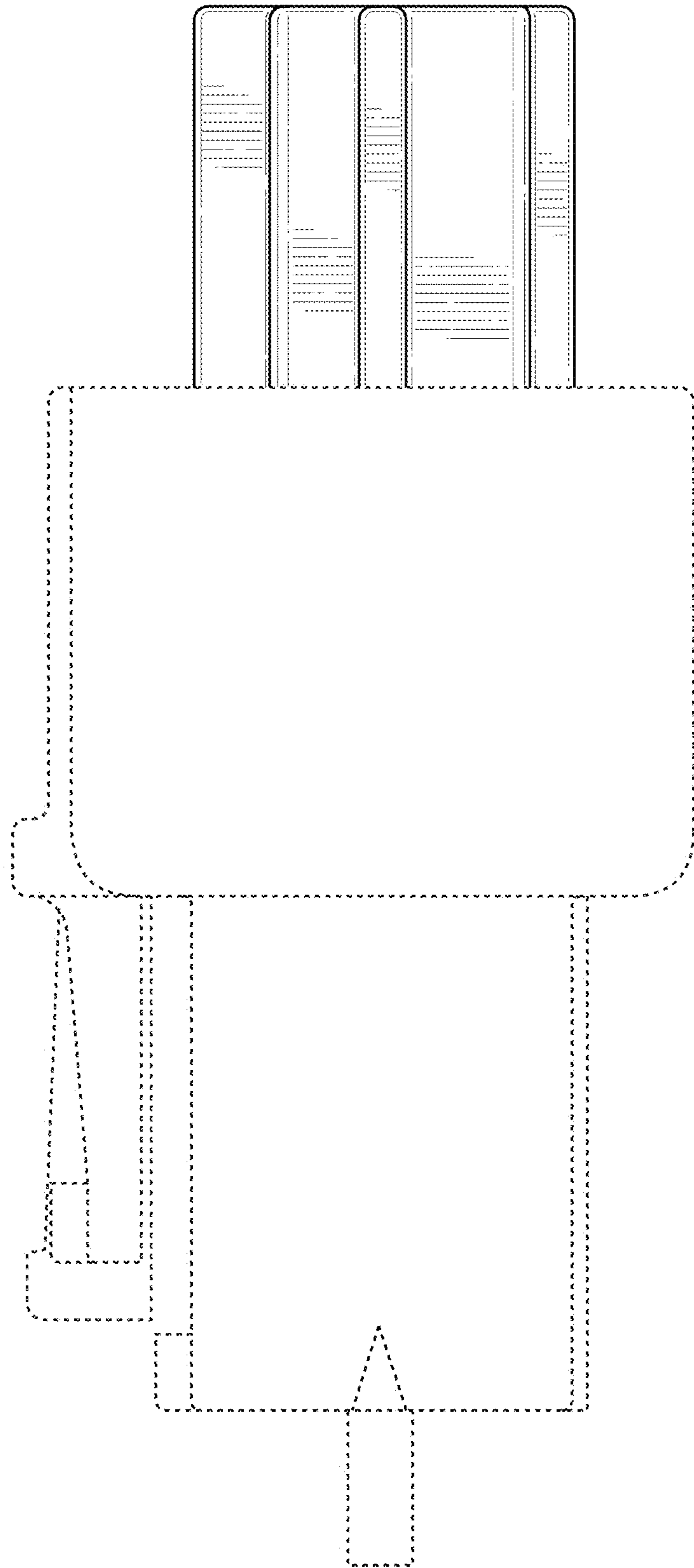


FIG. 12

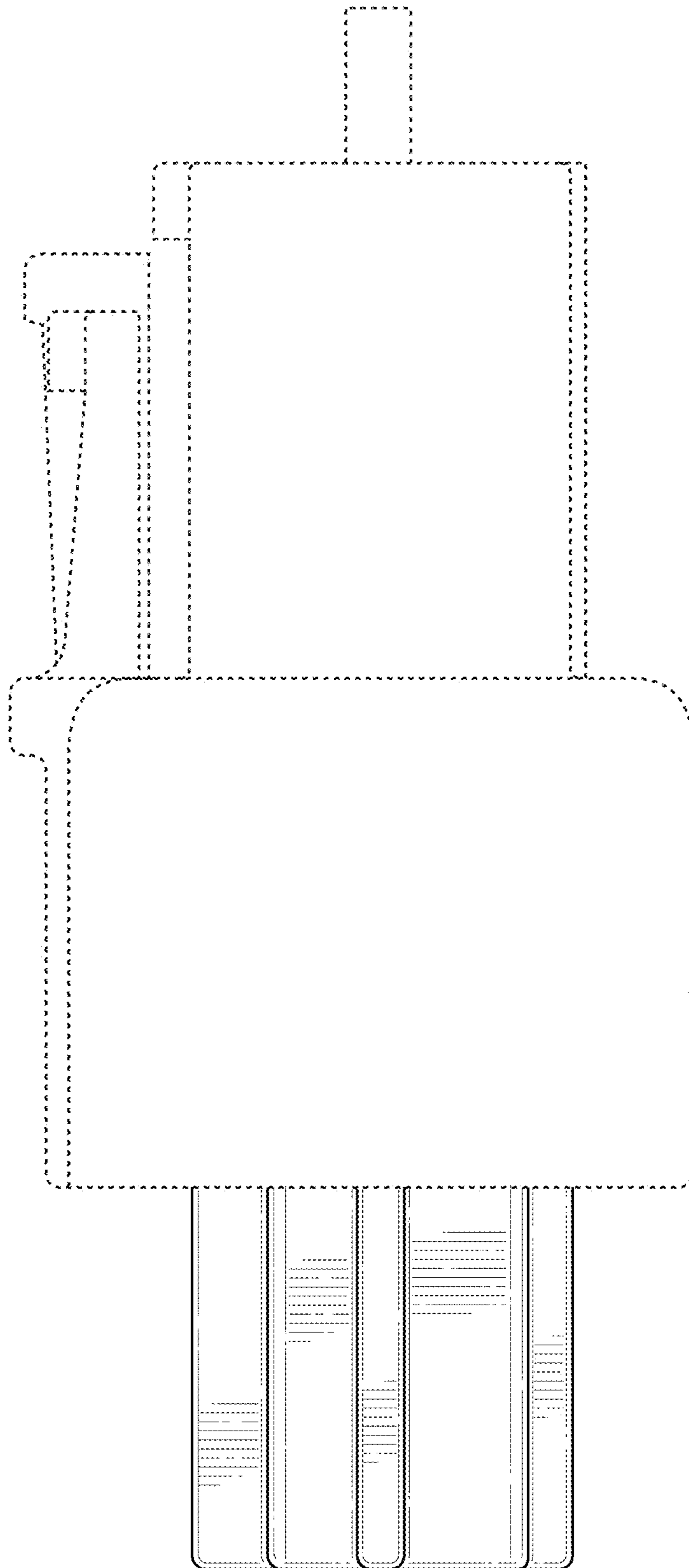


FIG. 13

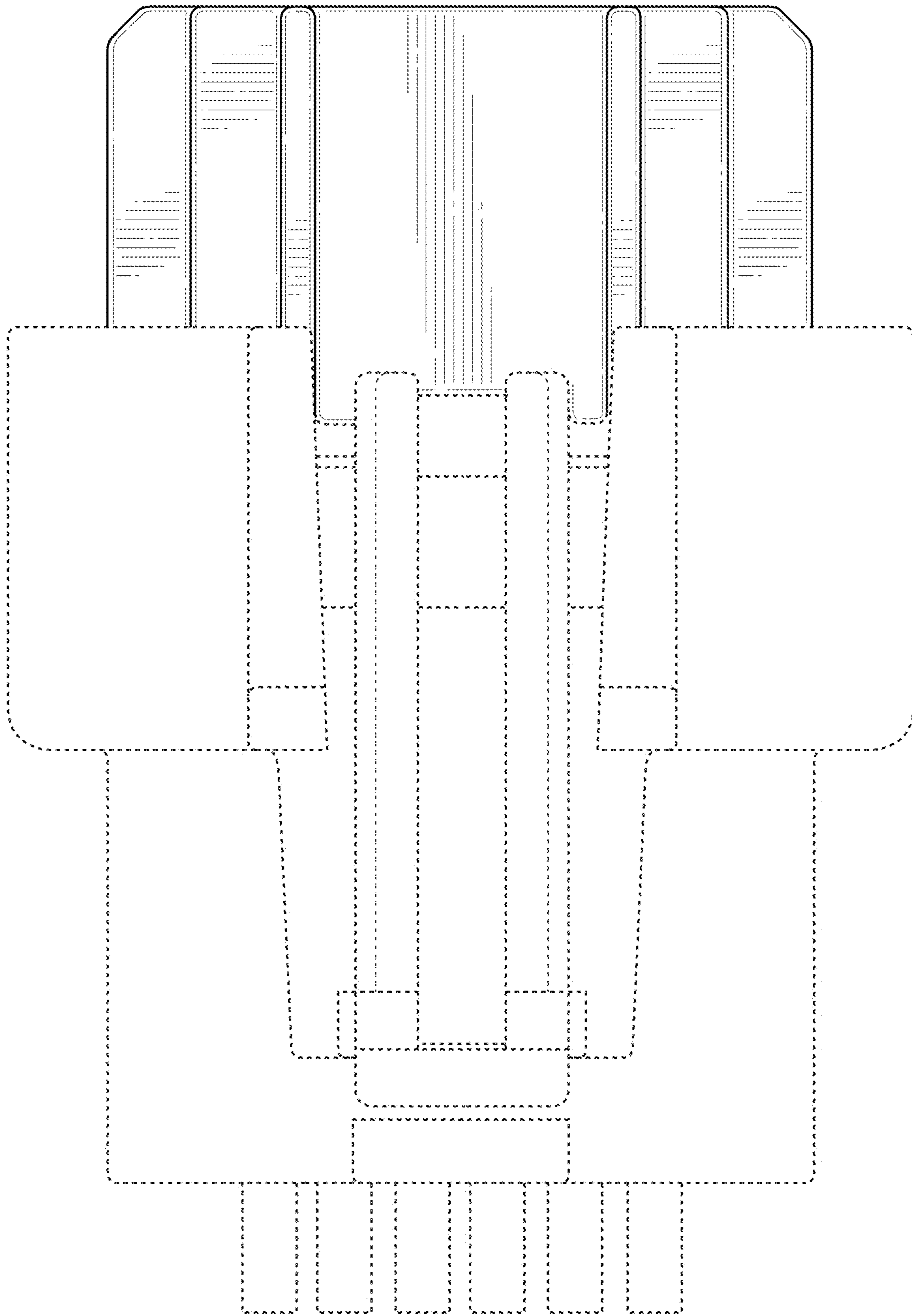


FIG. 14



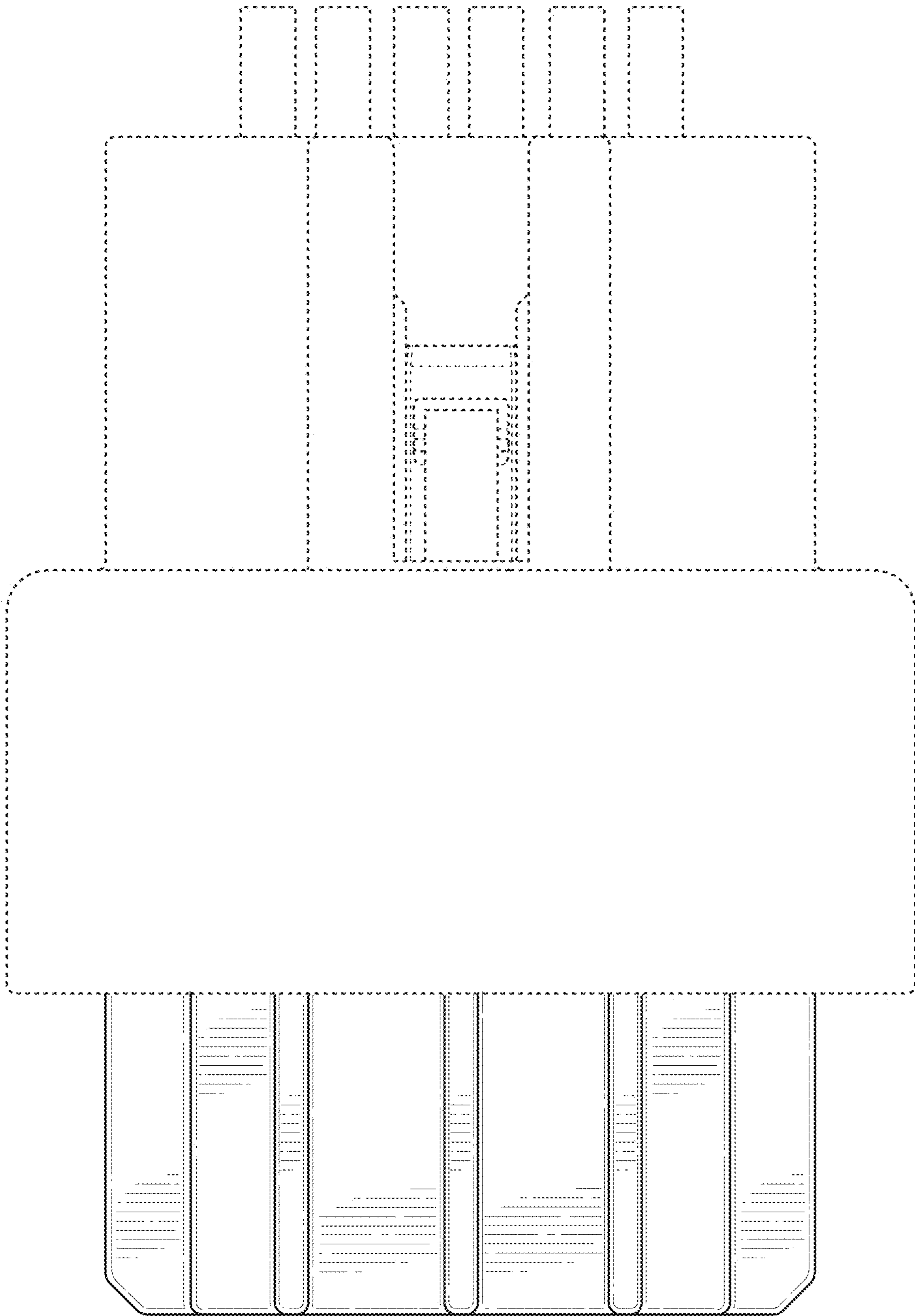


FIG. 15

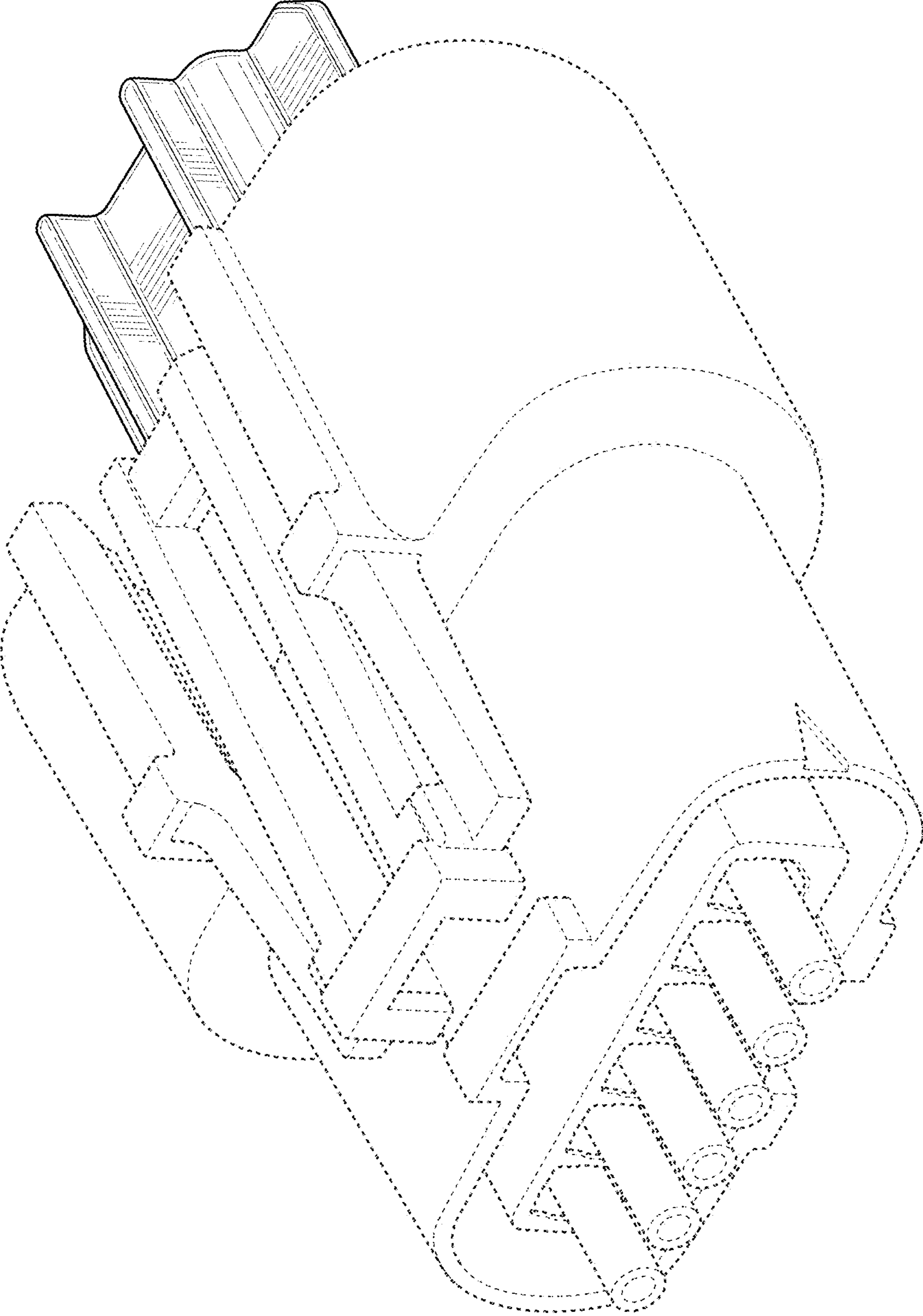


FIG. 16

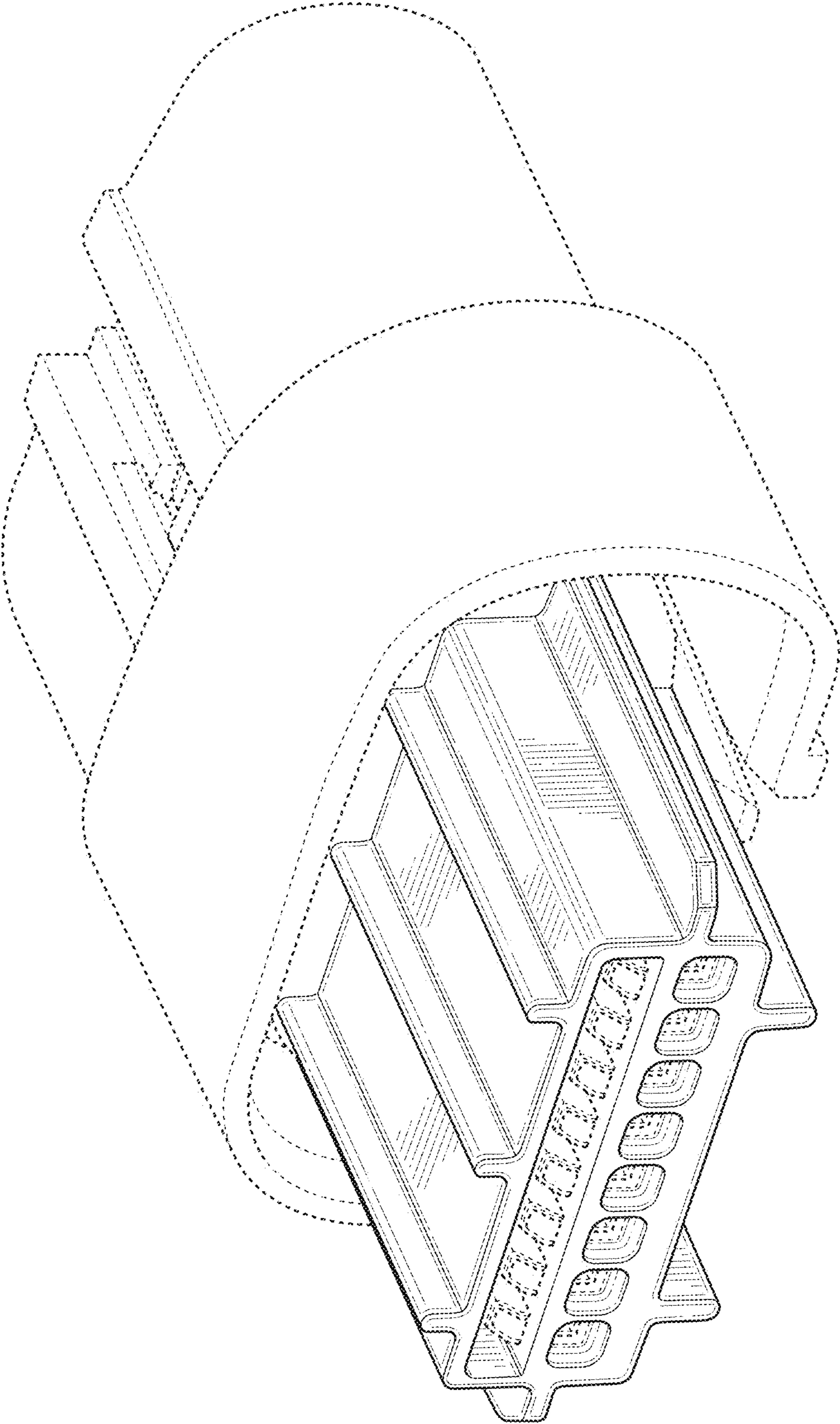


FIG. 17

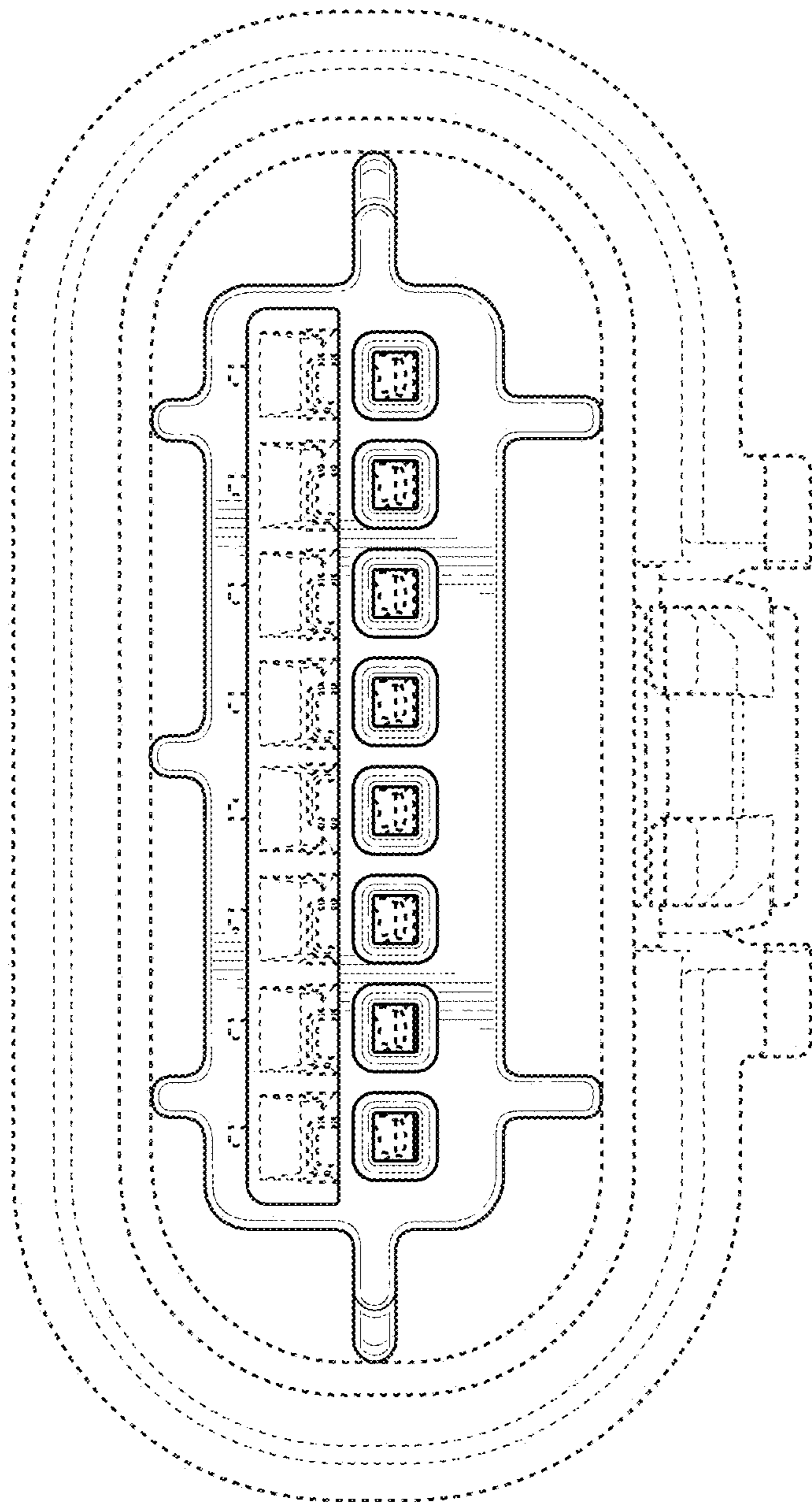


FIG. 18

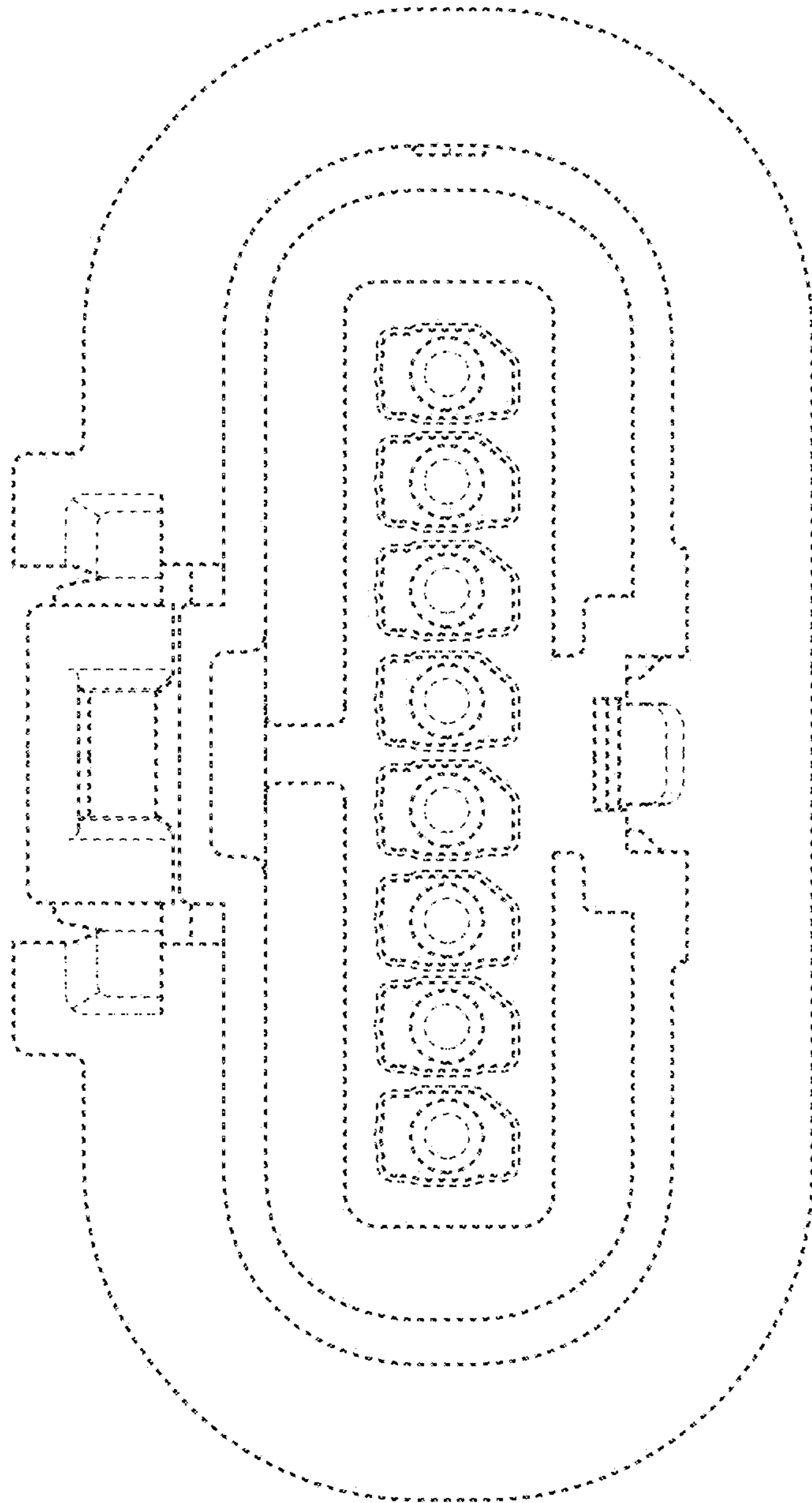


FIG. 19

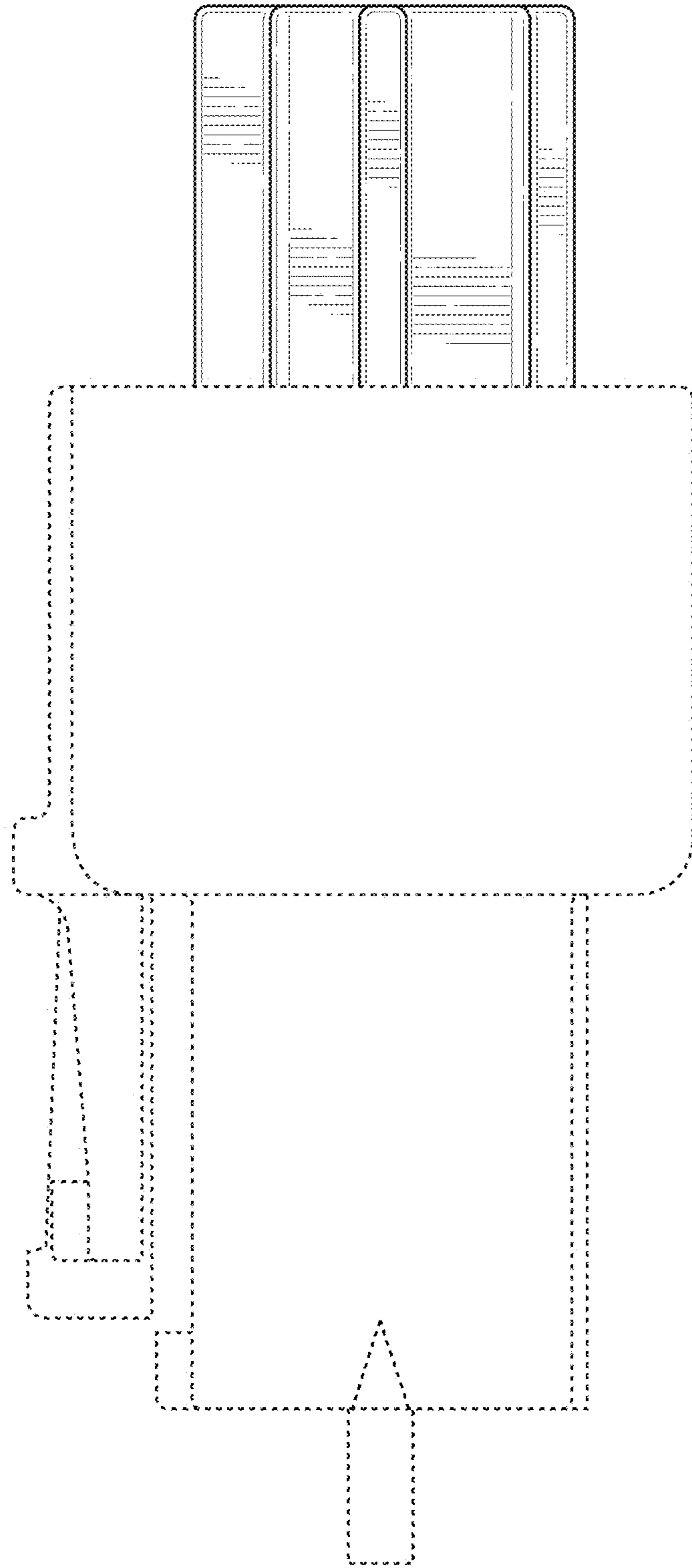


FIG. 20

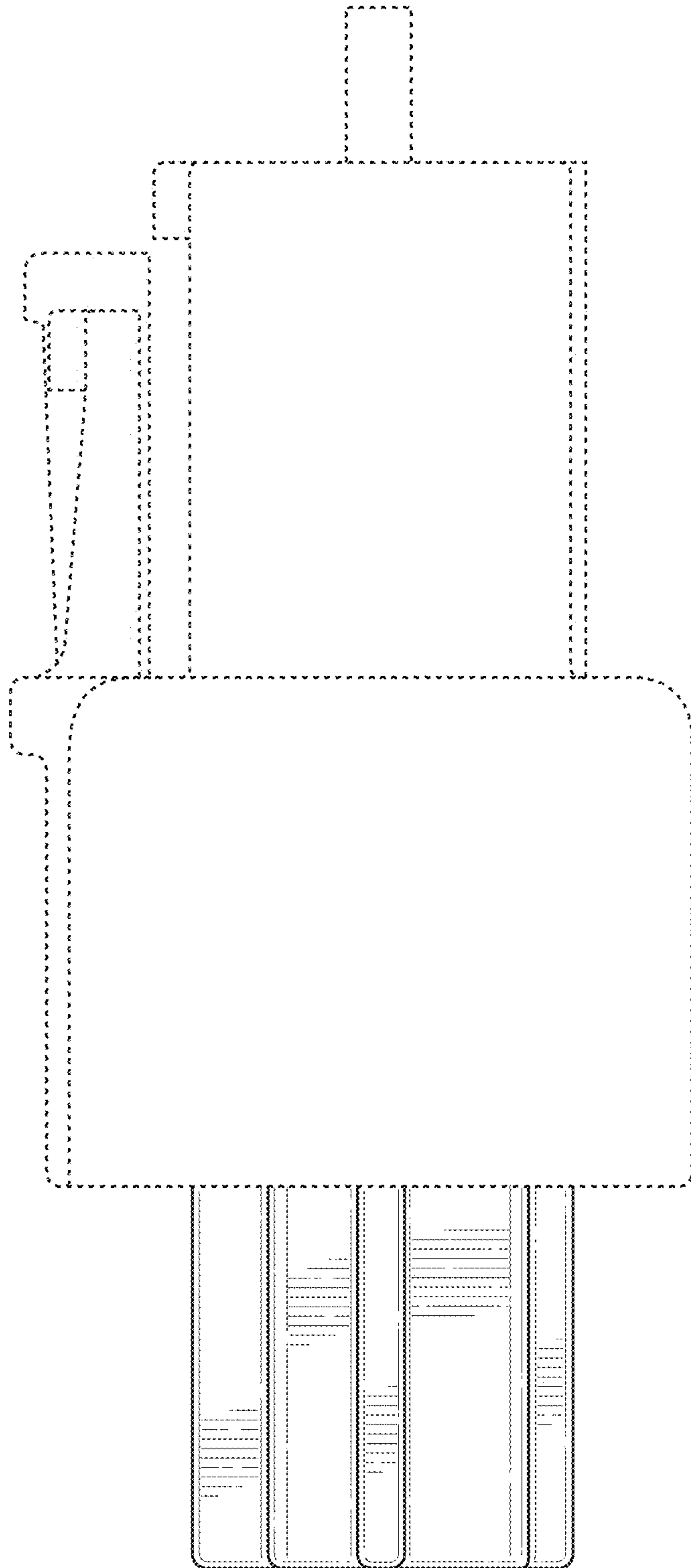


FIG. 21

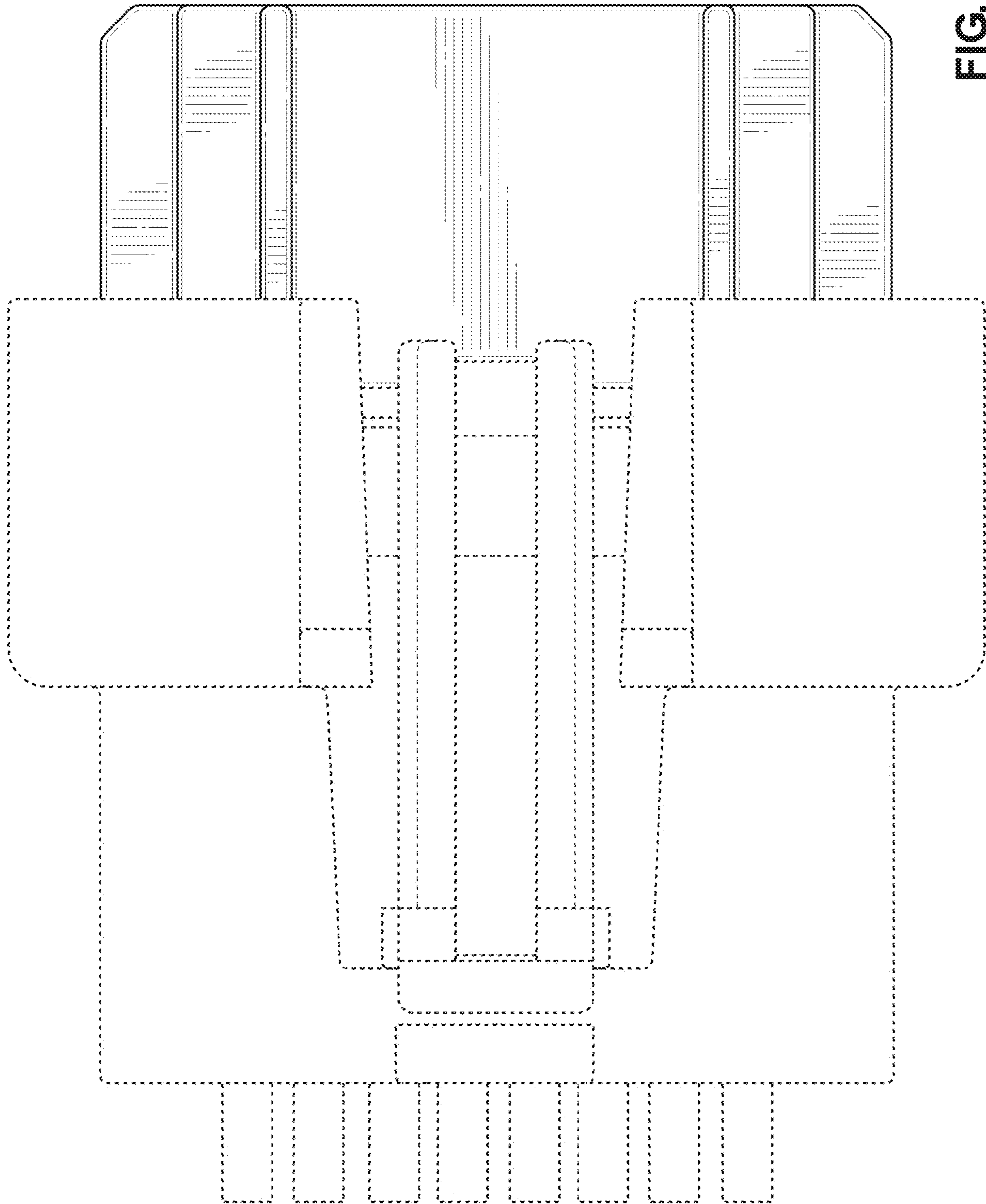


FIG. 22



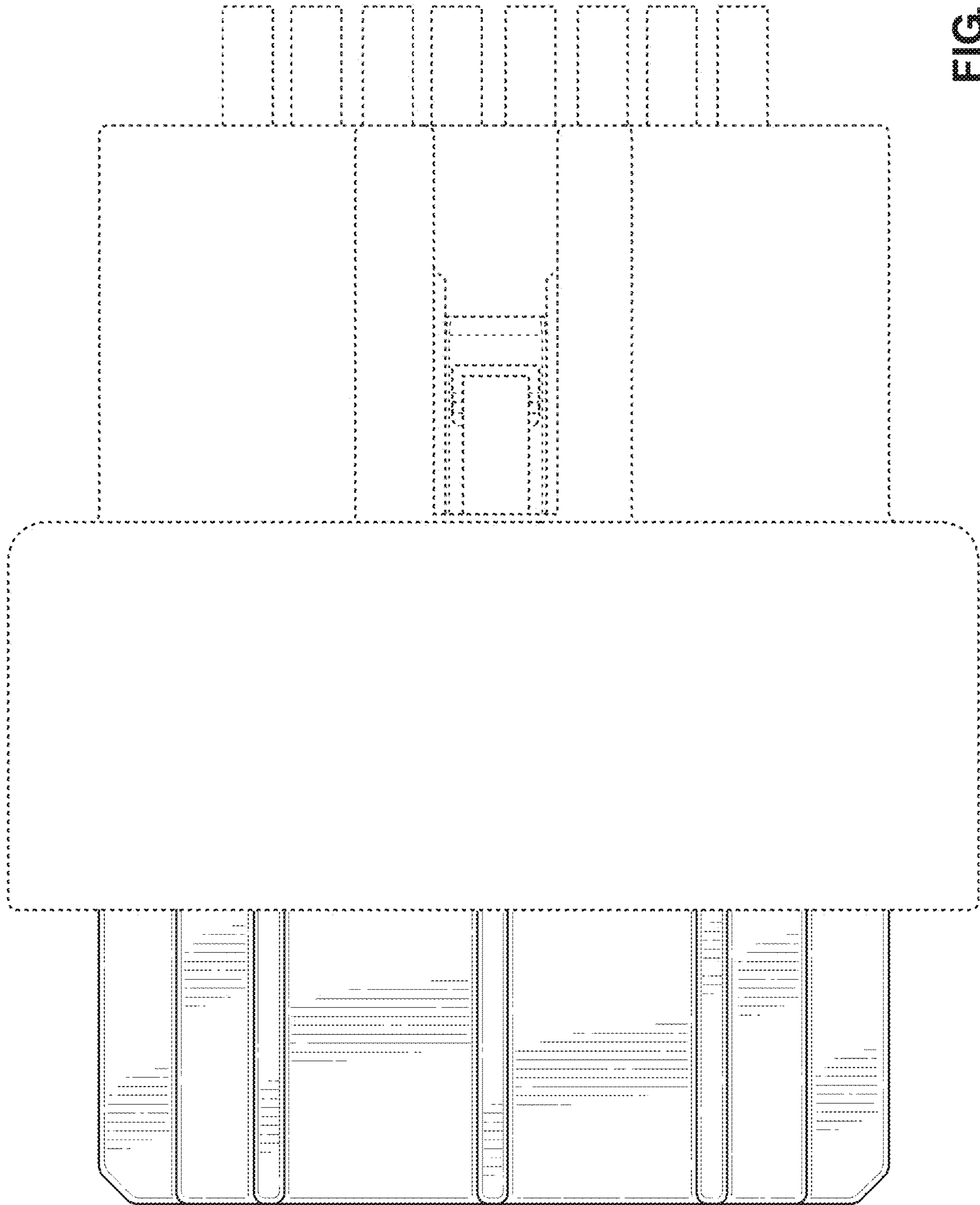


FIG. 23

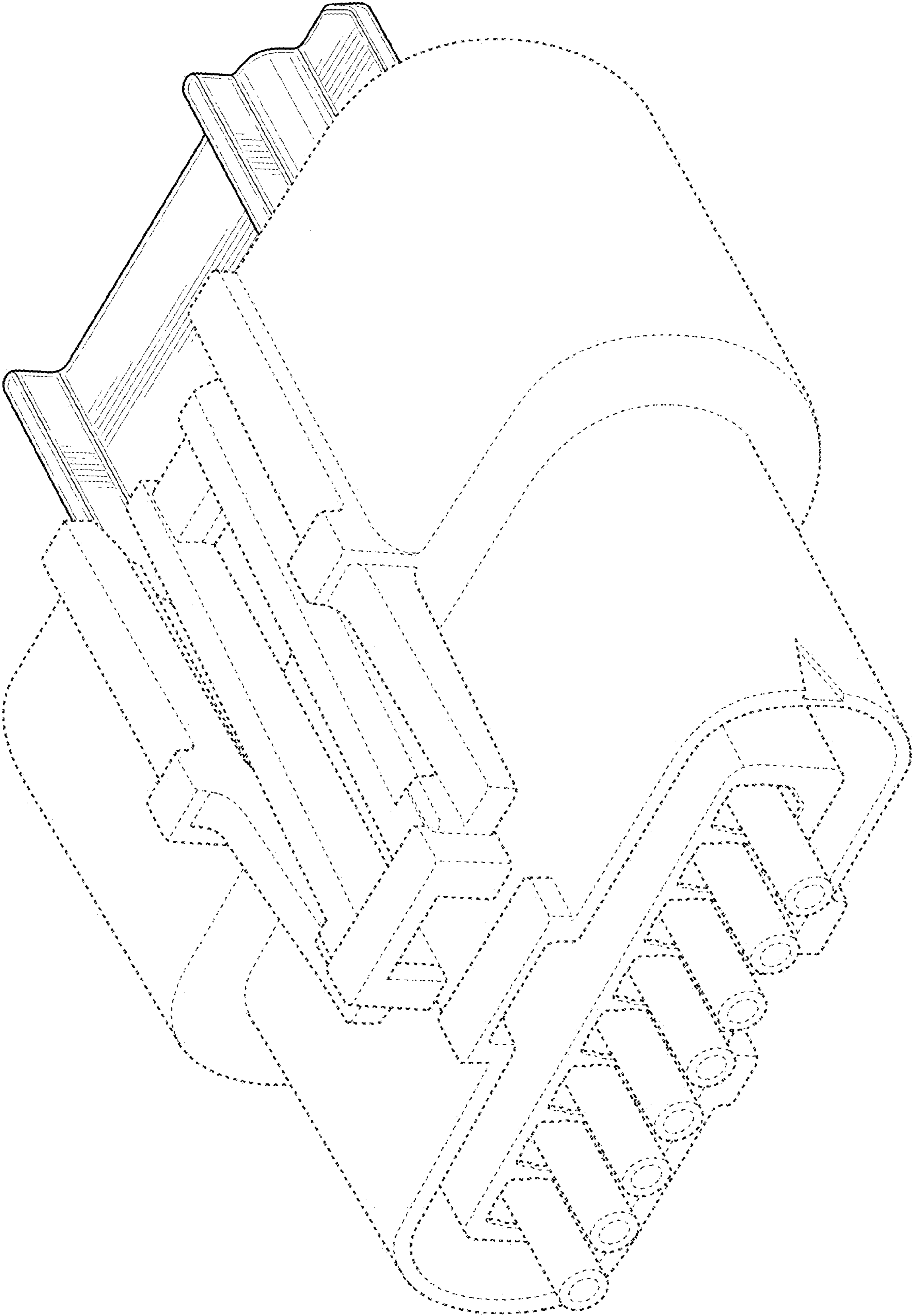


FIG. 24

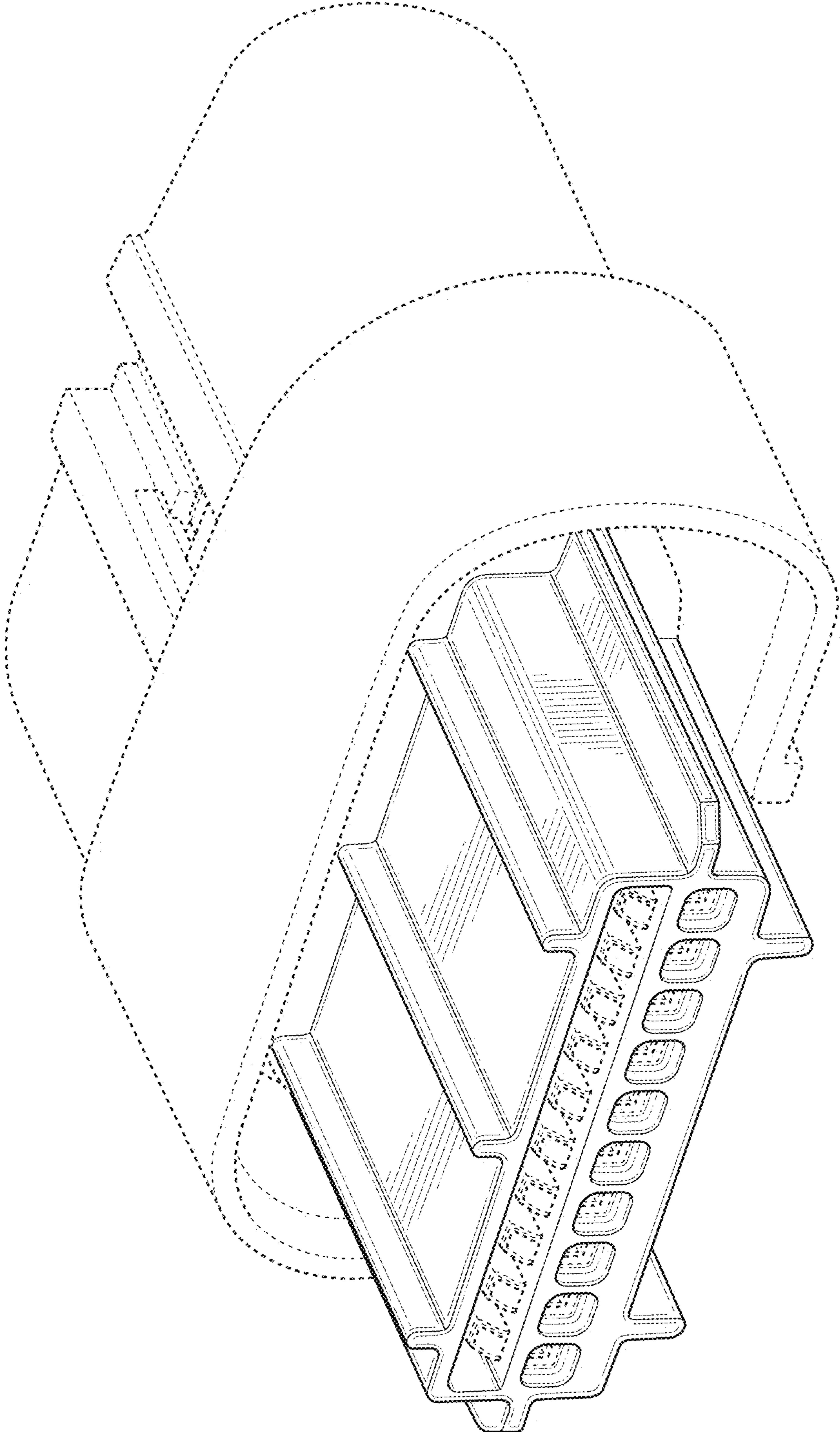


FIG. 25

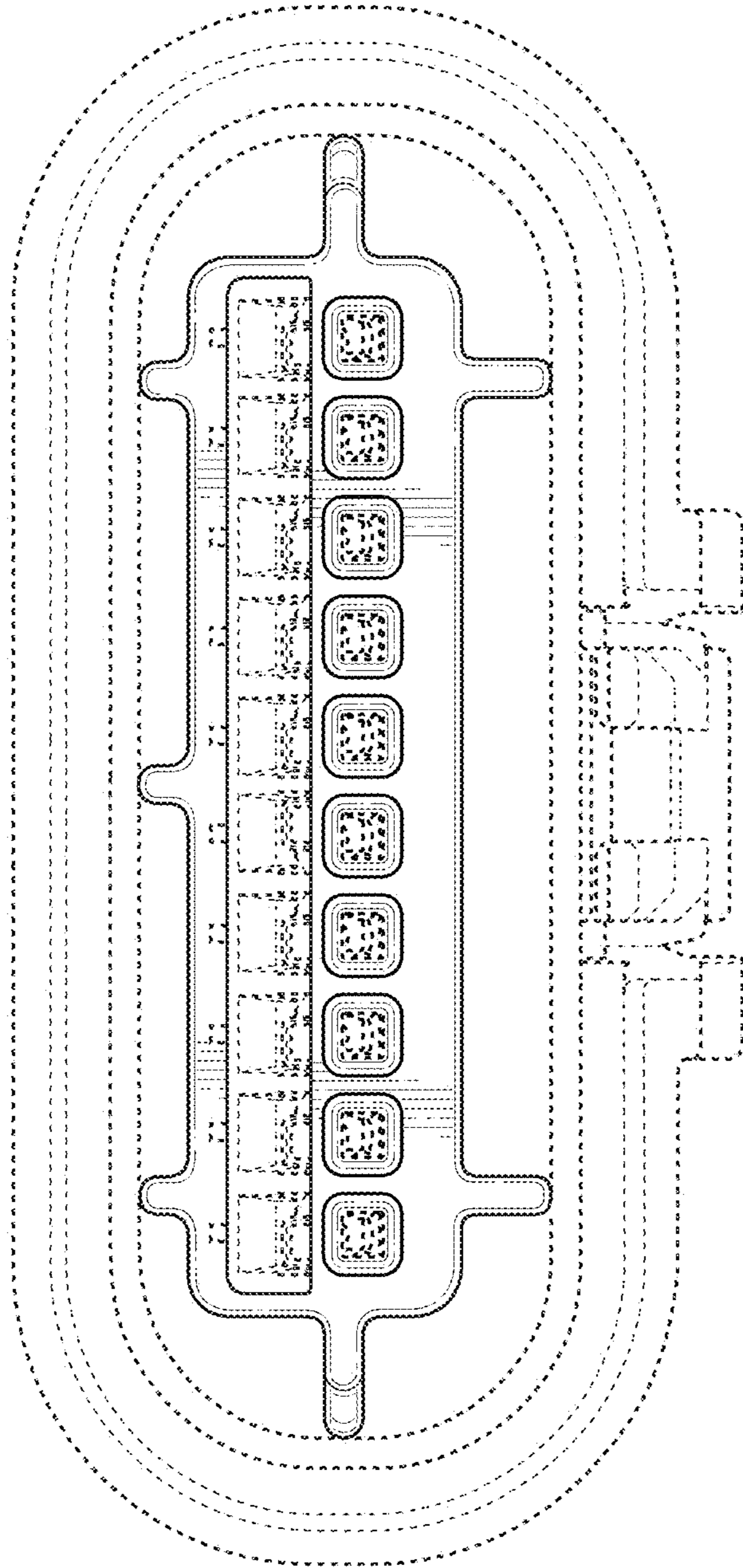


FIG. 26

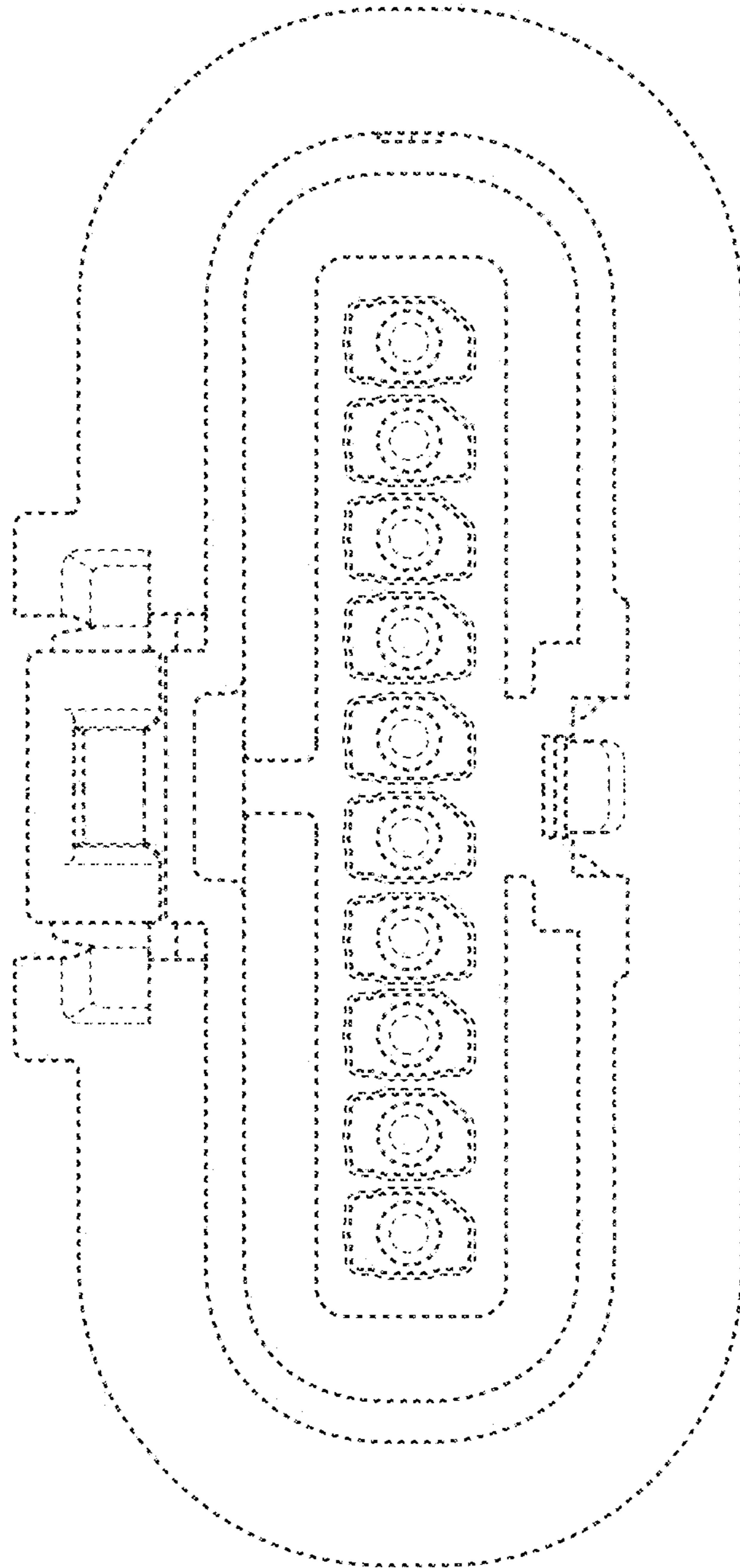


FIG. 27

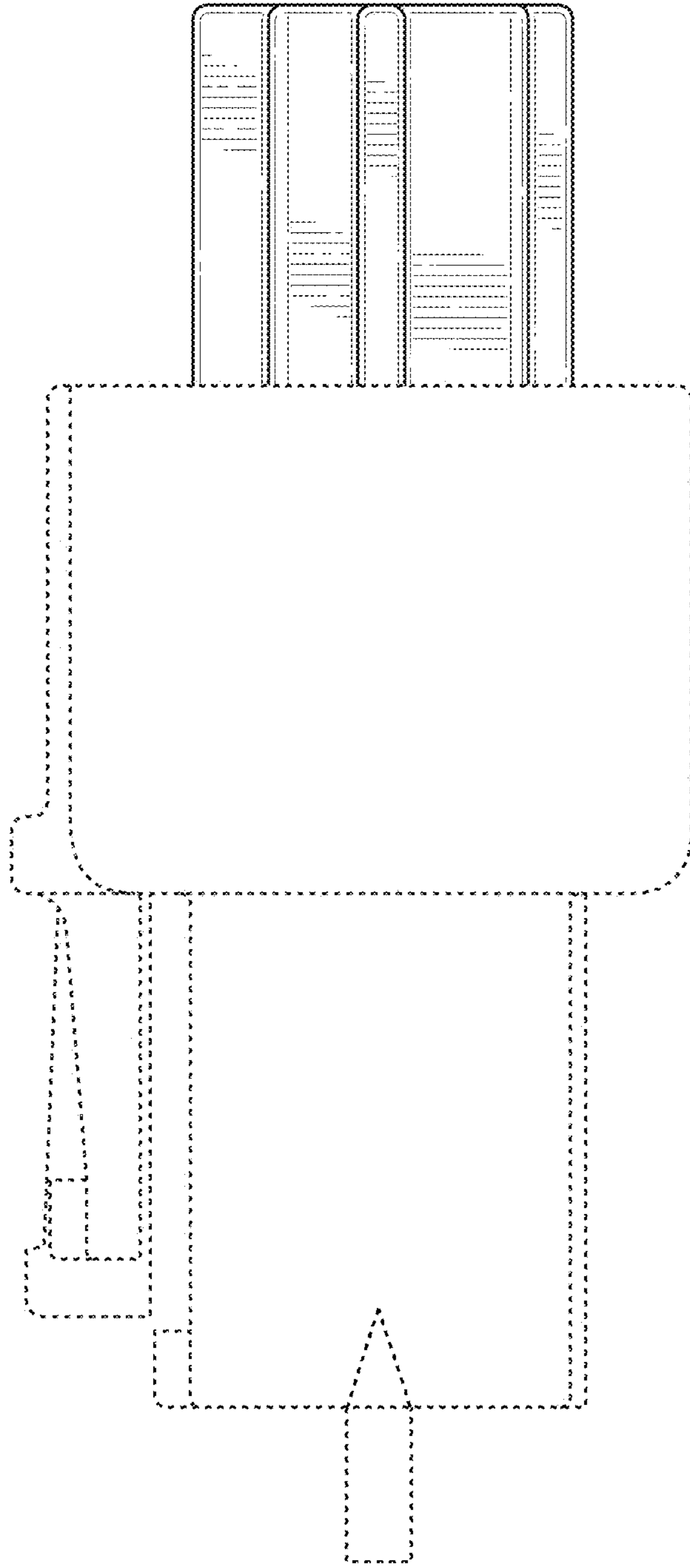


FIG. 28

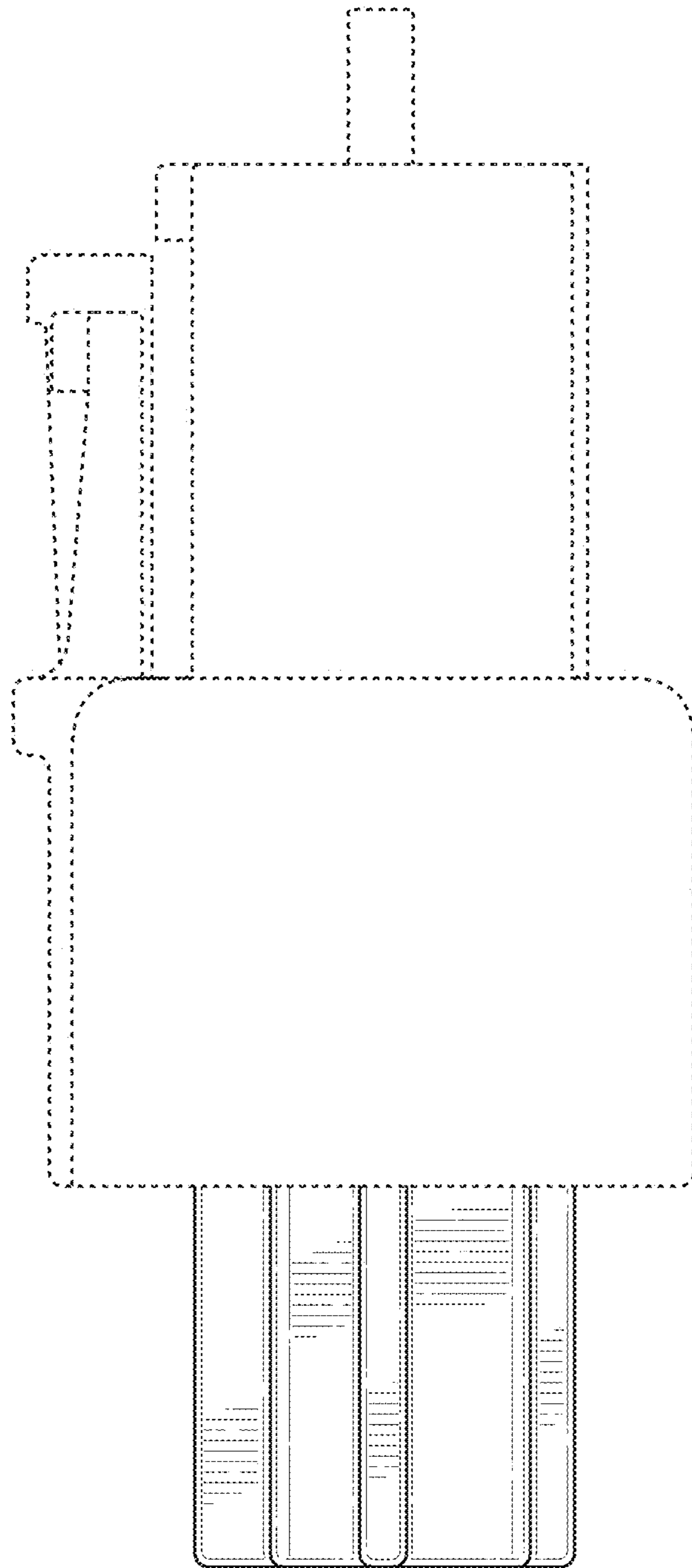


FIG. 29

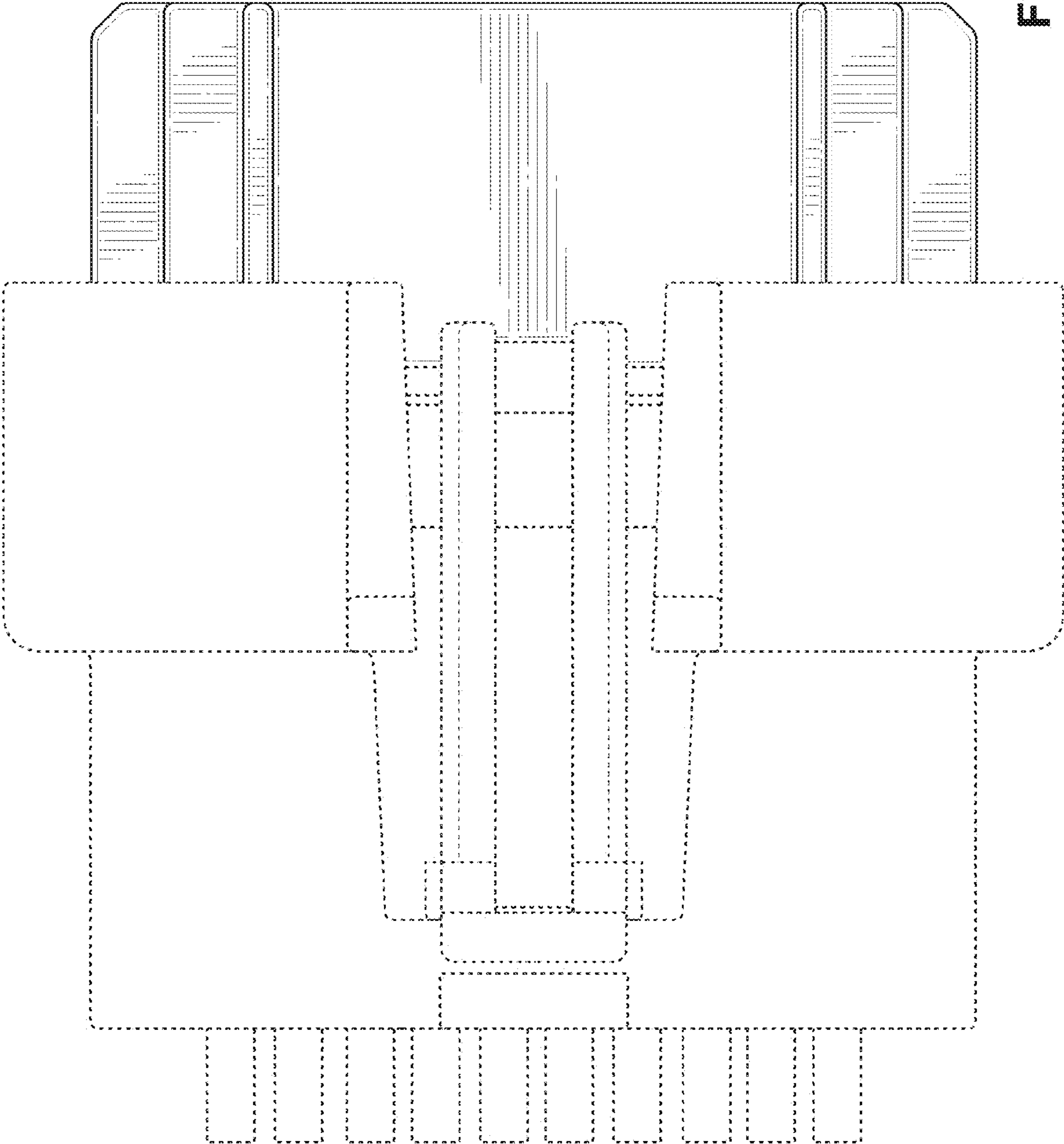


FIG. 30



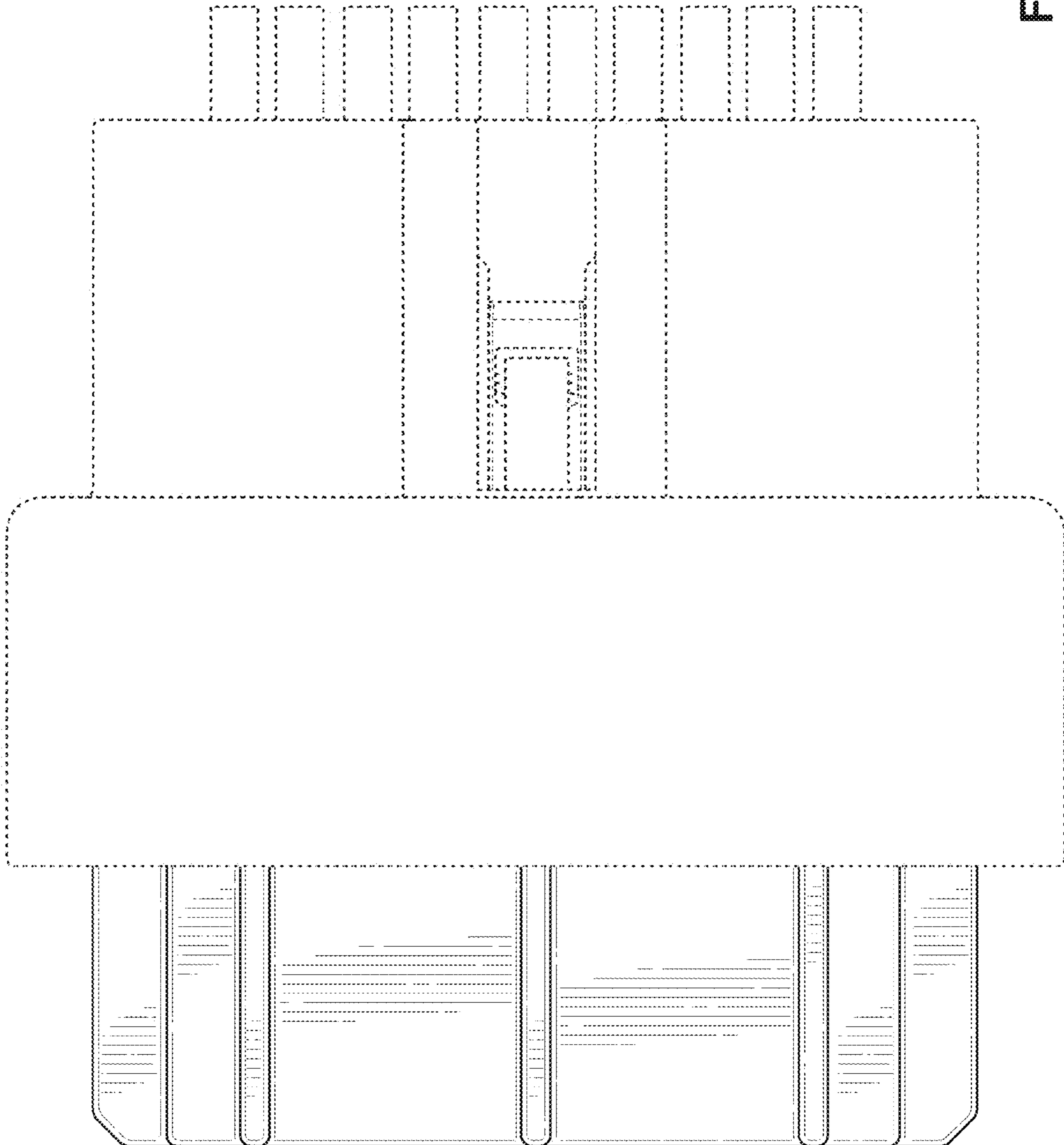


FIG. 31

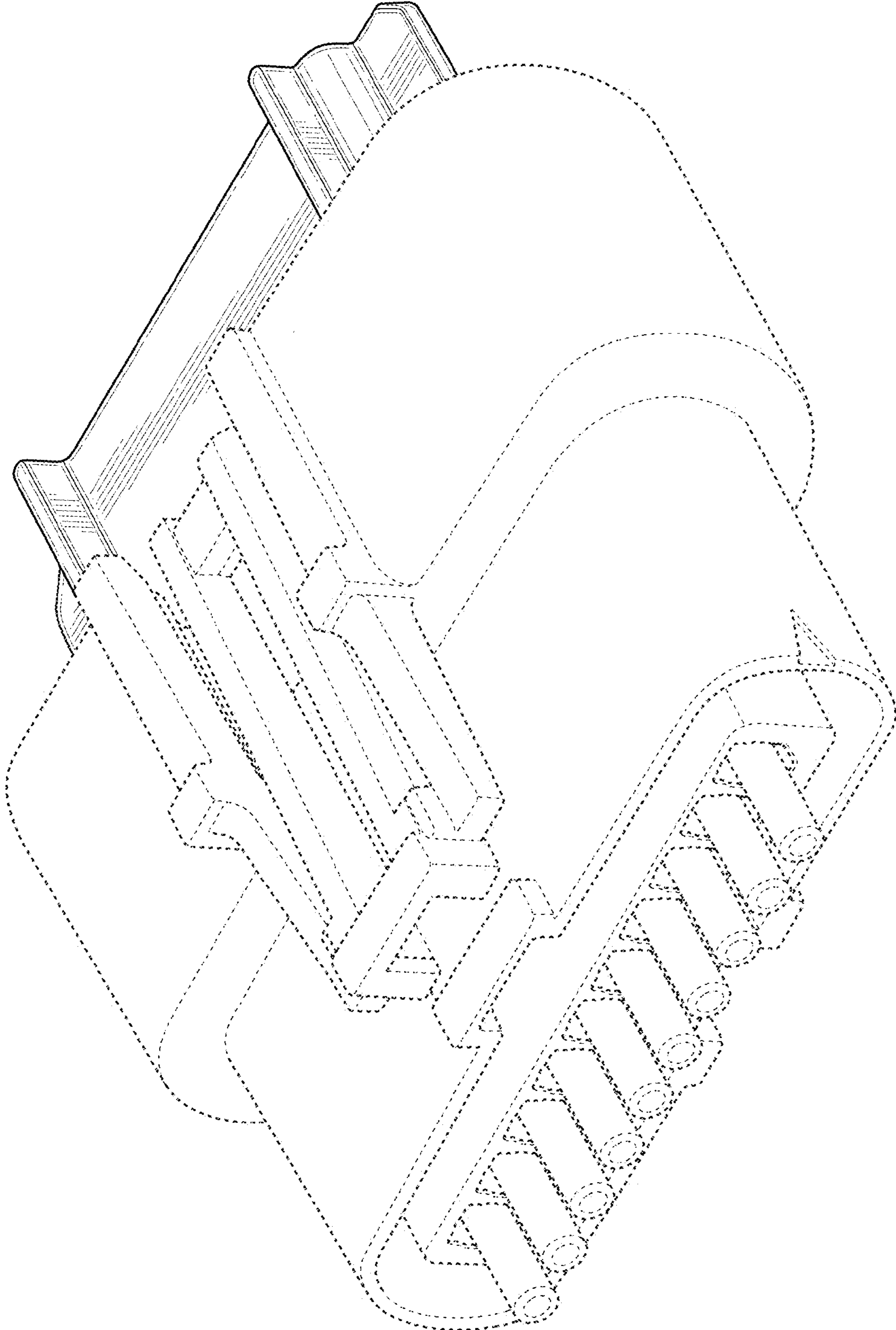


FIG. 32