



US00D916660S

(12) **United States Design Patent** (10) **Patent No.:** **US D916,660 S**  
**Hammerman et al.** (45) **Date of Patent:** **\*\* Apr. 20, 2021**

(54) **CHARGING CONNECTOR WITH LOCK**

(74) *Attorney, Agent, or Firm* — Michael Best & Friedrich LLP

(71) Applicant: **Specialized Bicycle Components, Inc.**,  
Morgan Hill, CA (US)

(72) Inventors: **Adam Scott Hammerman**, Cham (CH); **Daniel Draffehn**, Mettmnenstetten (CH); **Marco Werner Sonderegger**, Benzenschwil (CH); **Jan Talavasek**, Knonau (CH); **Jonas Reiter**, Zug (CH)

(57) **CLAIM**

We claim the ornamental design for a charging connector with lock, as shown and described.

(73) Assignee: **SPECIALIZED BICYCLE COMPONENTS, INC.**, Morgan Hill, CA (US)

**DESCRIPTION**

(\*\*) Term: **15 Years**

FIG. 1 is a perspective view of a charging connector with lock.

(21) Appl. No.: **29/695,798**

FIG. 2 is a front view of the charging connector with lock of FIG. 1.

(22) Filed: **Jun. 21, 2019**

FIG. 3 is a rear view of the charging connector with lock of FIG. 1.

(51) **LOC (13) Cl.** ..... **13-02**

FIG. 4 is a right side of the charging connector with lock of FIG. 1.

(52) **U.S. Cl.**

FIG. 5 is a left side view of the charging connector with lock of FIG. 1.

USPC ..... **D13/120; D13/107**

FIG. 6 is a top view of the charging connector with lock of FIG. 1.

(58) **Field of Classification Search**

USPC ..... D13/107, 110, 120, 133, 134, 146, 148, D13/149, 155, 156, 157, 184, 199; D8/396, 356; D23/242; D24/129

FIG. 7 is a bottom view of the charging connector with lock of FIG. 1.

(Continued)

FIG. 8 is a perspective view of another charging connector with lock.

(56) **References Cited**

**U.S. PATENT DOCUMENTS**

D291,303 S \* 8/1987 Wood ..... D13/133  
D342,054 S \* 12/1993 Woodman ..... D13/146

FIG. 9 is a front view of the charging connector with lock of FIG. 8.

(Continued)

FIG. 10 is a rear view of the charging connector with lock of FIG. 8.

**OTHER PUBLICATIONS**

Chogori Technology Co, "500 Series", <<http://www.chogori-tech.com/500series/64-117.html>> web page accessed Apr. 17, 2019.

FIG. 11 is a right side of the charging connector with lock of FIG. 8.

FIG. 12 is a left side view of the charging connector with lock of FIG. 8.

FIG. 13 is a top view of the charging connector with lock of FIG. 8; and,

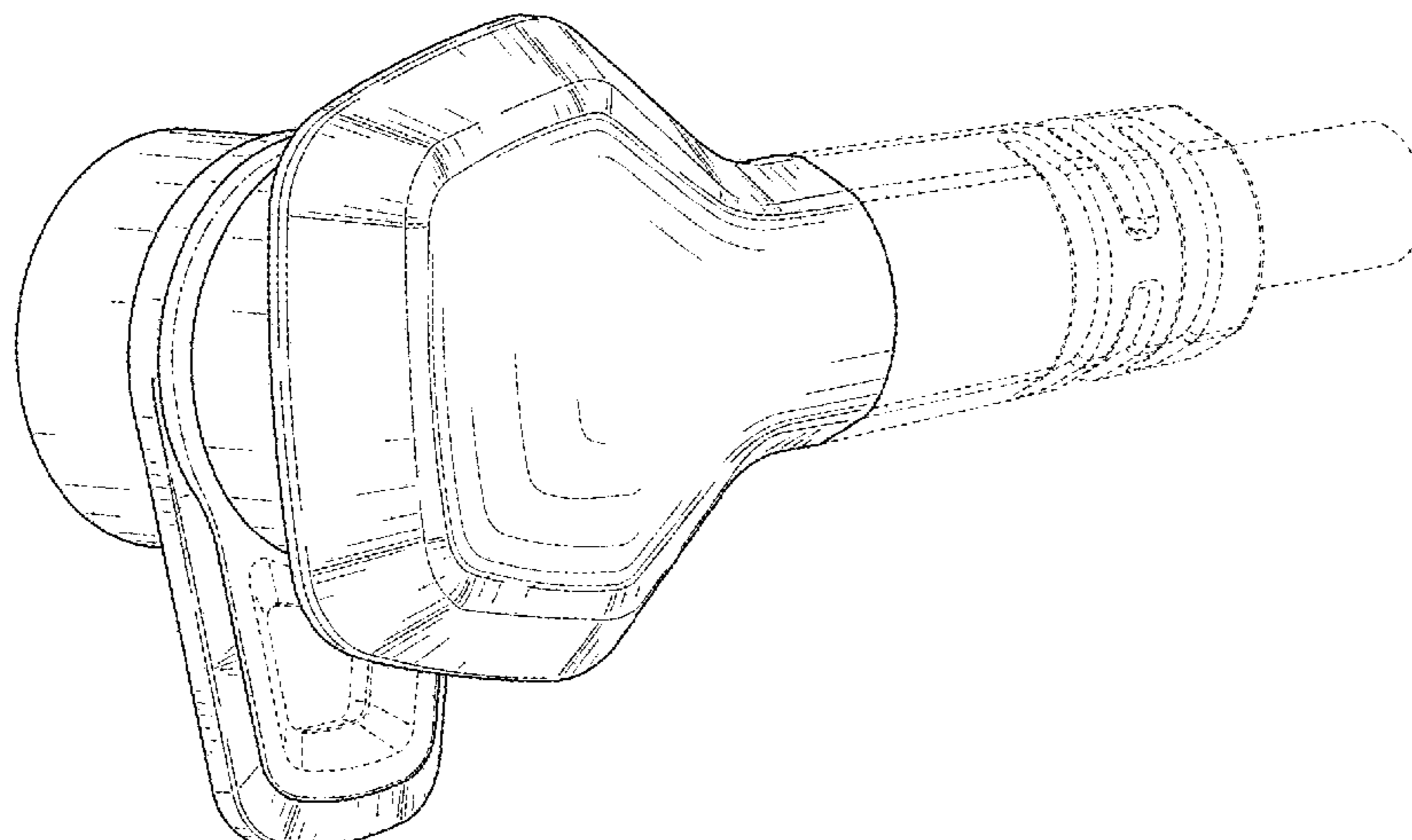
FIG. 14 is a bottom view of the charging connector with lock of FIG. 8.

The broken lines shown represent portions of the charging connector with lock that form no part of the claimed design.

Where dash-dot-dash broken lines abut the shaded surface it is understood that those broken lines represent unclaimed

(Continued)

*Primary Examiner* — Jennifer O King



boundary between claimed and unclaimed surfaces. None of the broken lines form any part of the claimed design.

**1 Claim, 12 Drawing Sheets**

**(58) Field of Classification Search**

CPC ..... H01R 13/447; H01R 13/6277; H01R  
13/6456; H01R 2201/26; G02B 6/3887;  
G02B 6/4471; B60L 53/16

See application file for complete search history.

**(56) References Cited**

U.S. PATENT DOCUMENTS

5,275,575	A *	1/1994	Cahaly .....	H01R 13/7032 439/188
5,627,448	A	5/1997	Okada et al.	
6,336,822	B1	1/2002	Luzzoli	
7,837,491	B2	11/2010	Collin	
8,550,833	B2	10/2013	Martin	
D703,142	S *	4/2014	Hoshino .....	D13/147
D734,264	S *	7/2015	Jordan .....	D13/133
D743,337	S *	11/2015	Suzuki .....	D13/133
D816,616	S *	5/2018	Corona .....	D13/146
D865,674	S *	11/2019	Schreiber .....	D13/133
2011/0207360	A1 *	8/2011	Jordan .....	H01R 13/65912 439/350
2018/0170196	A1	6/2018	Huang	

\* cited by examiner

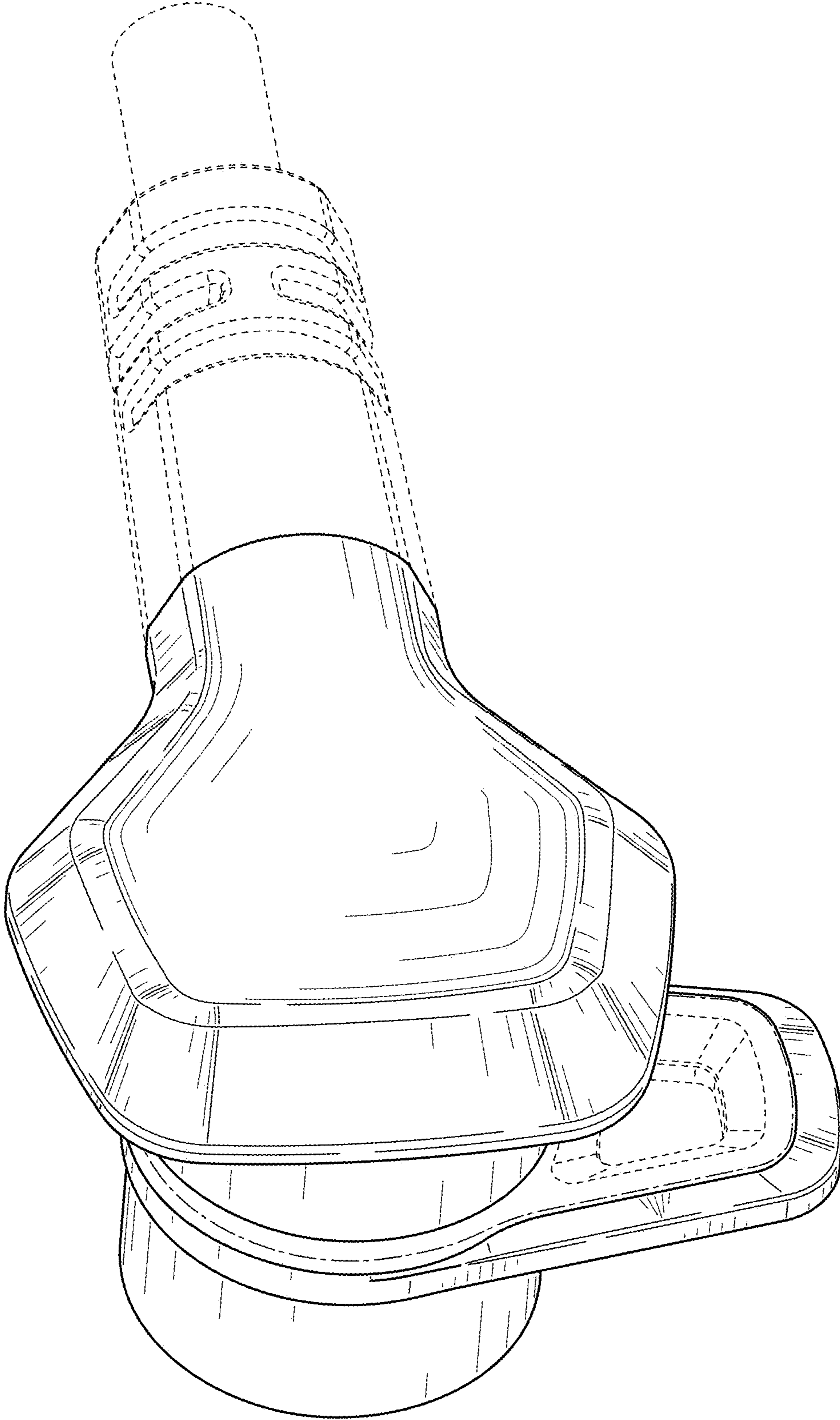


FIG. 1

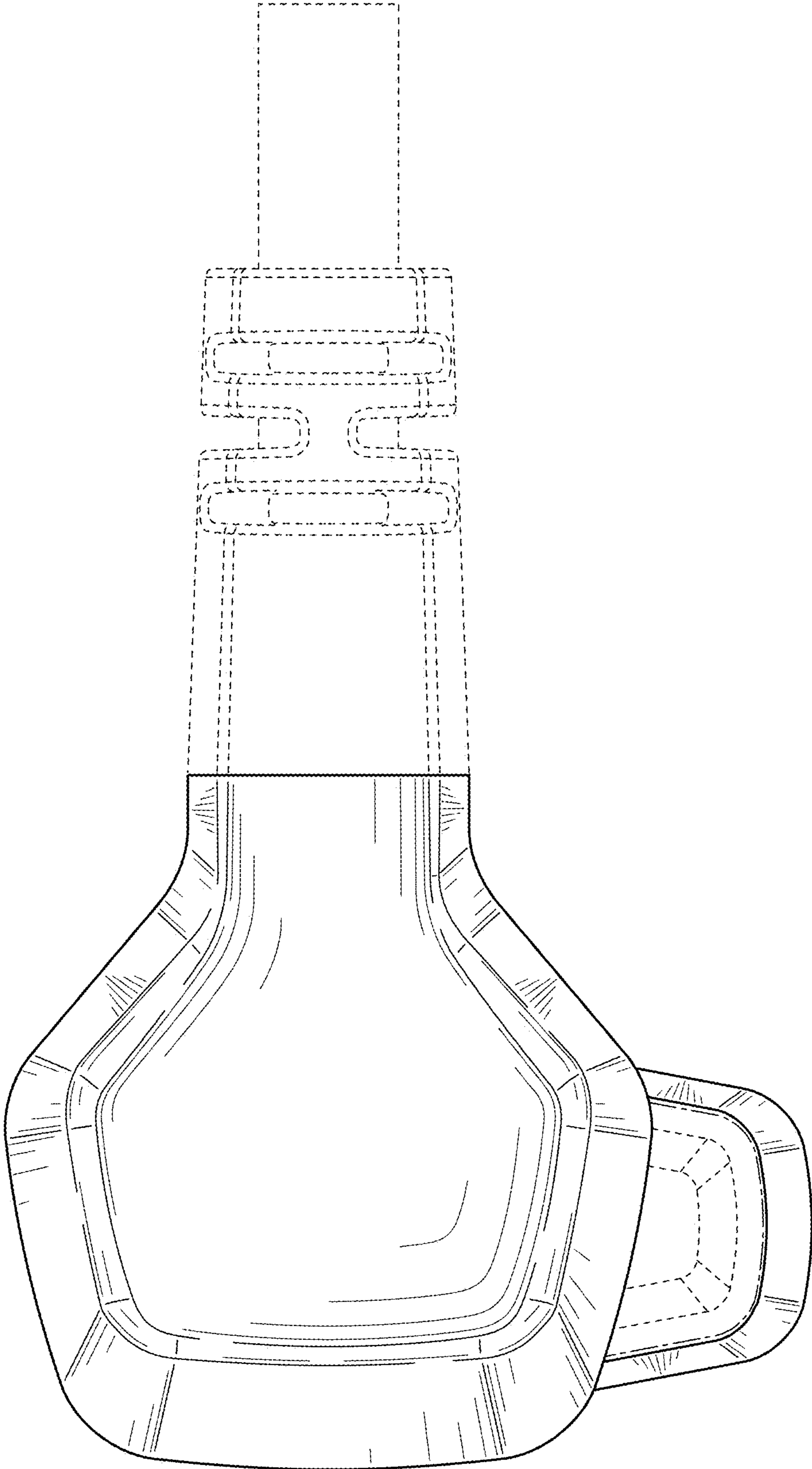


FIG. 2

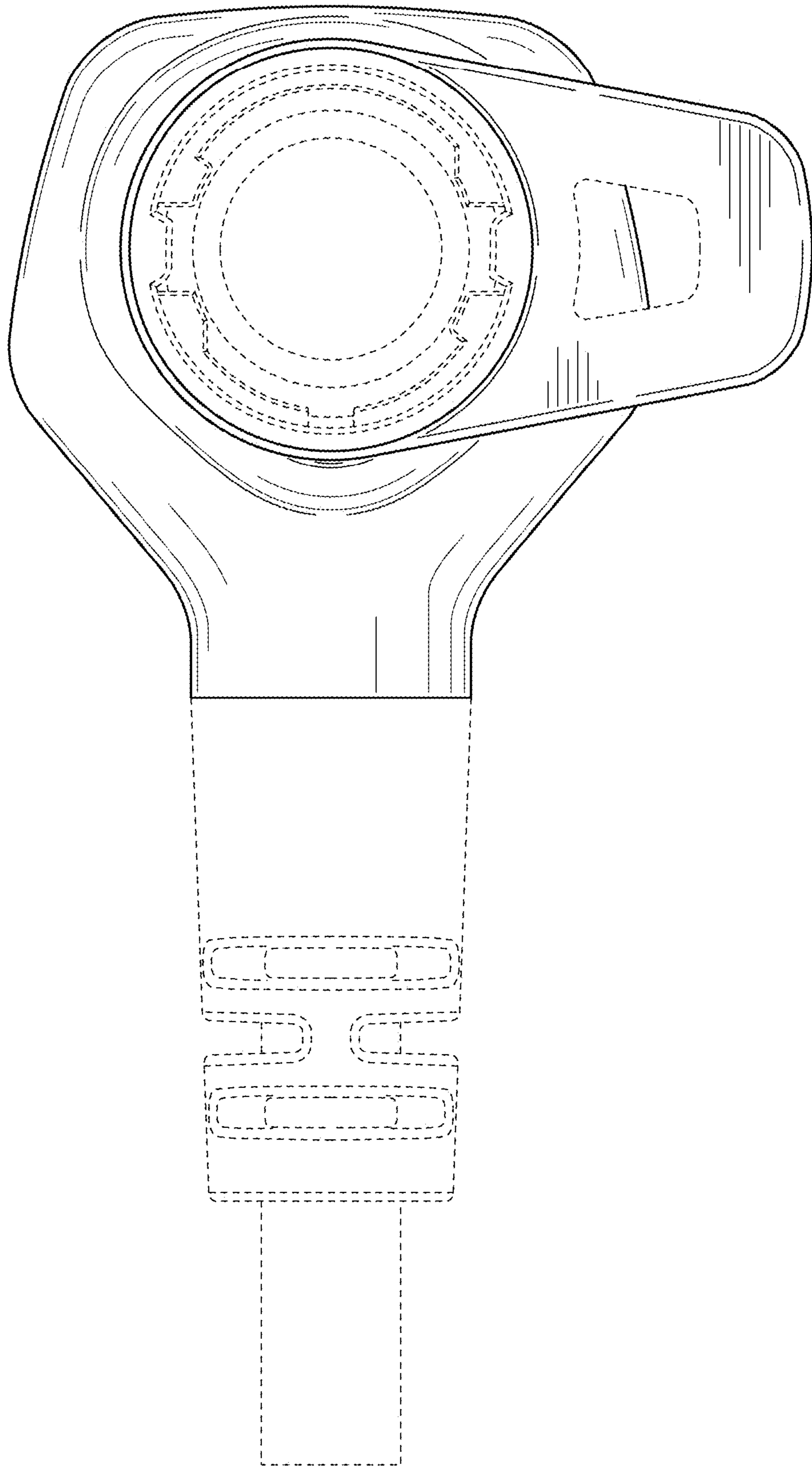


FIG. 3

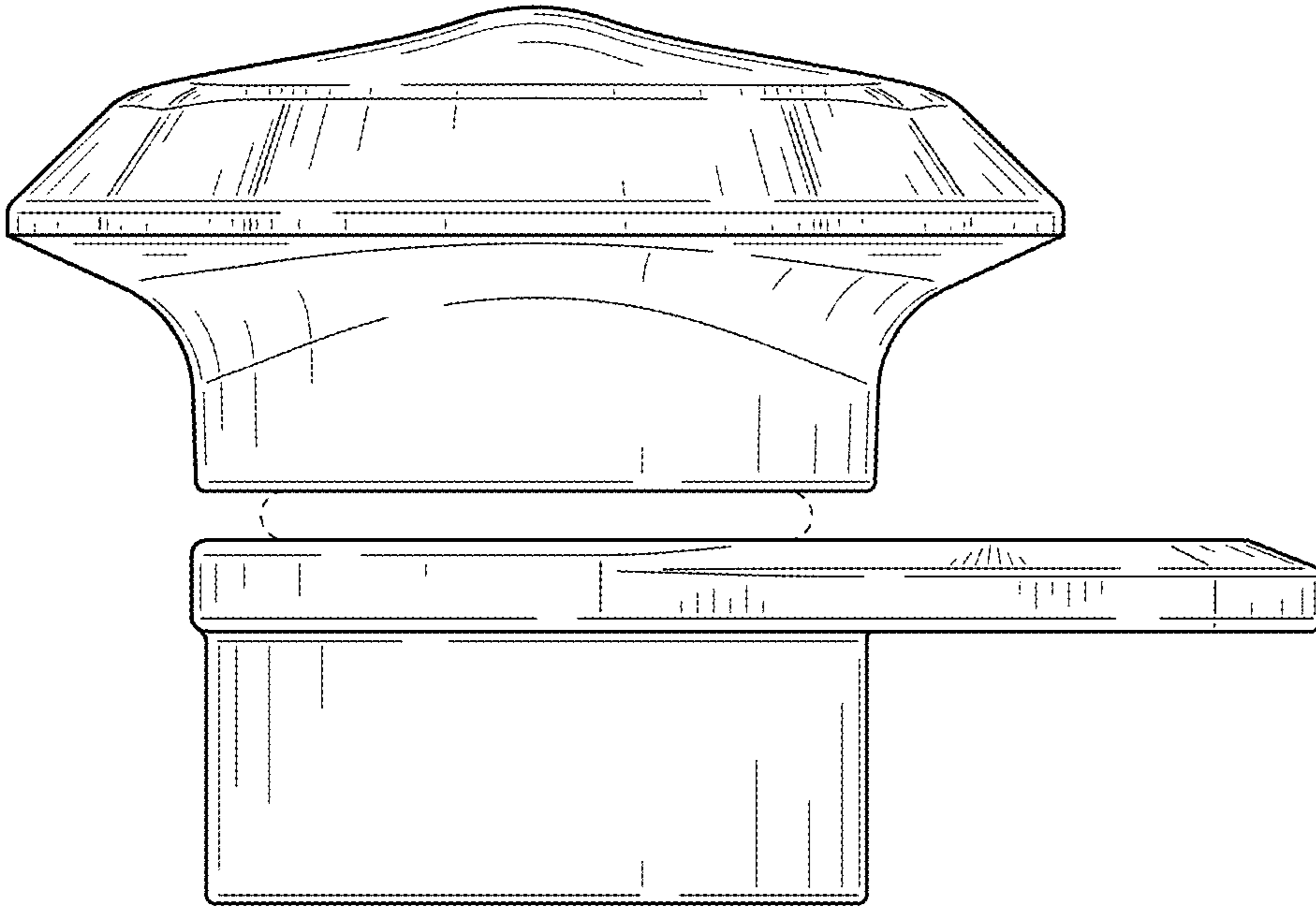


FIG. 5

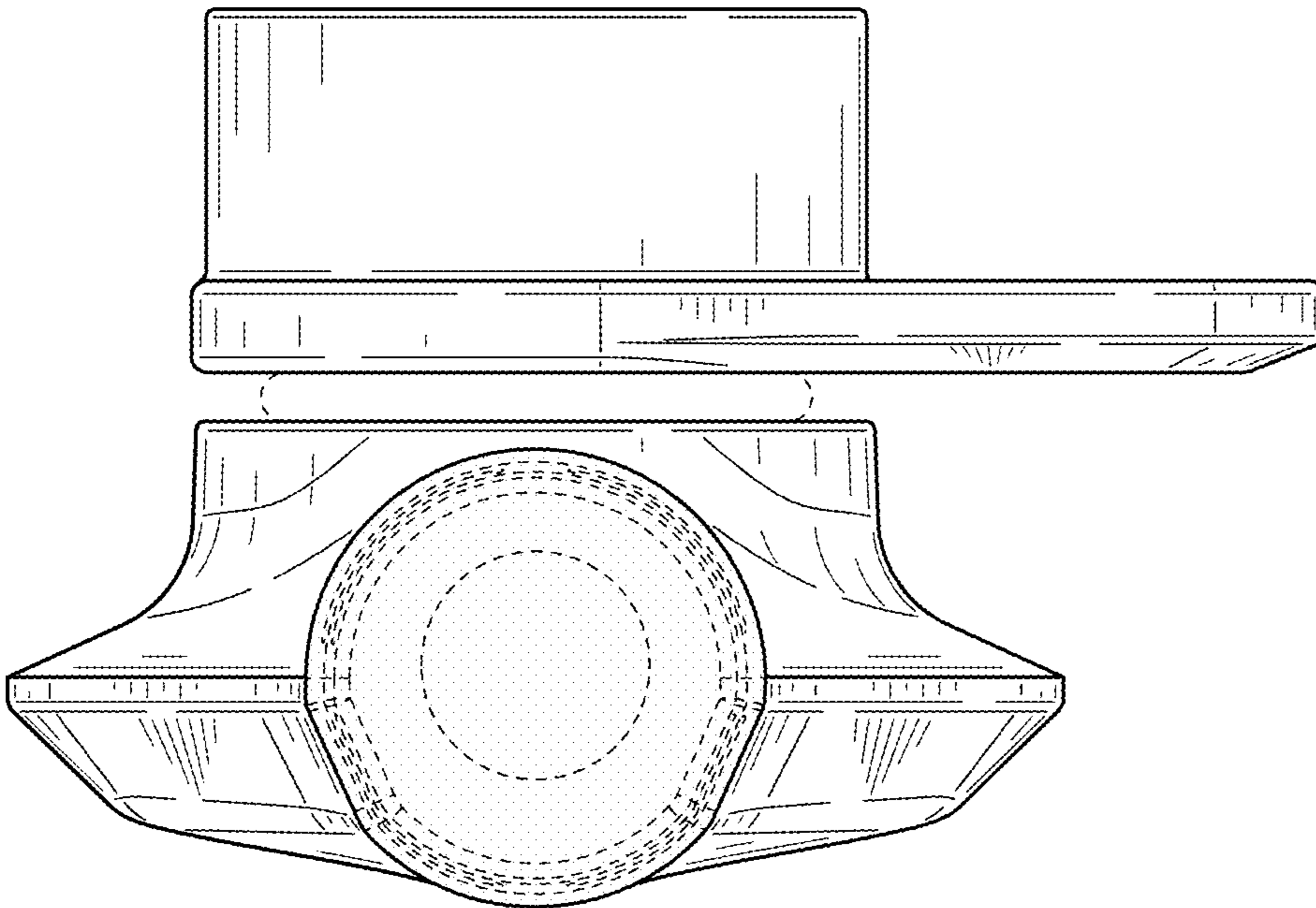


FIG. 4

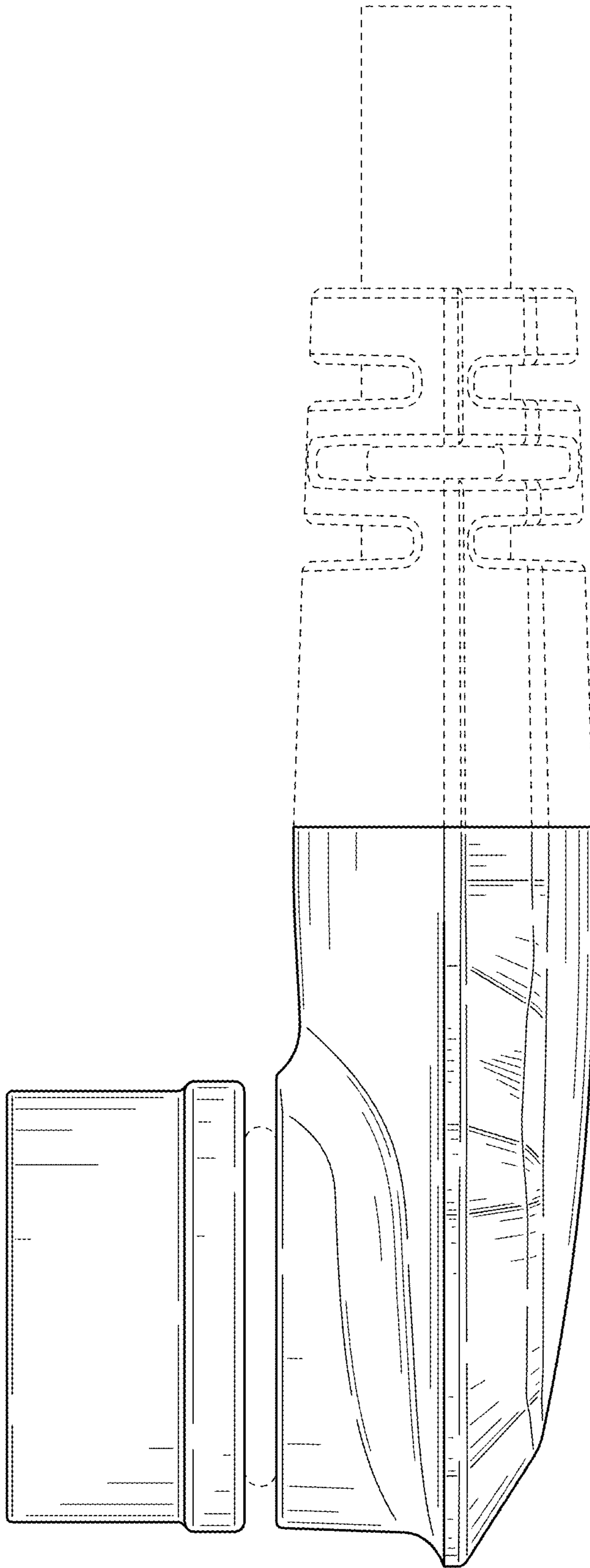


FIG. 6

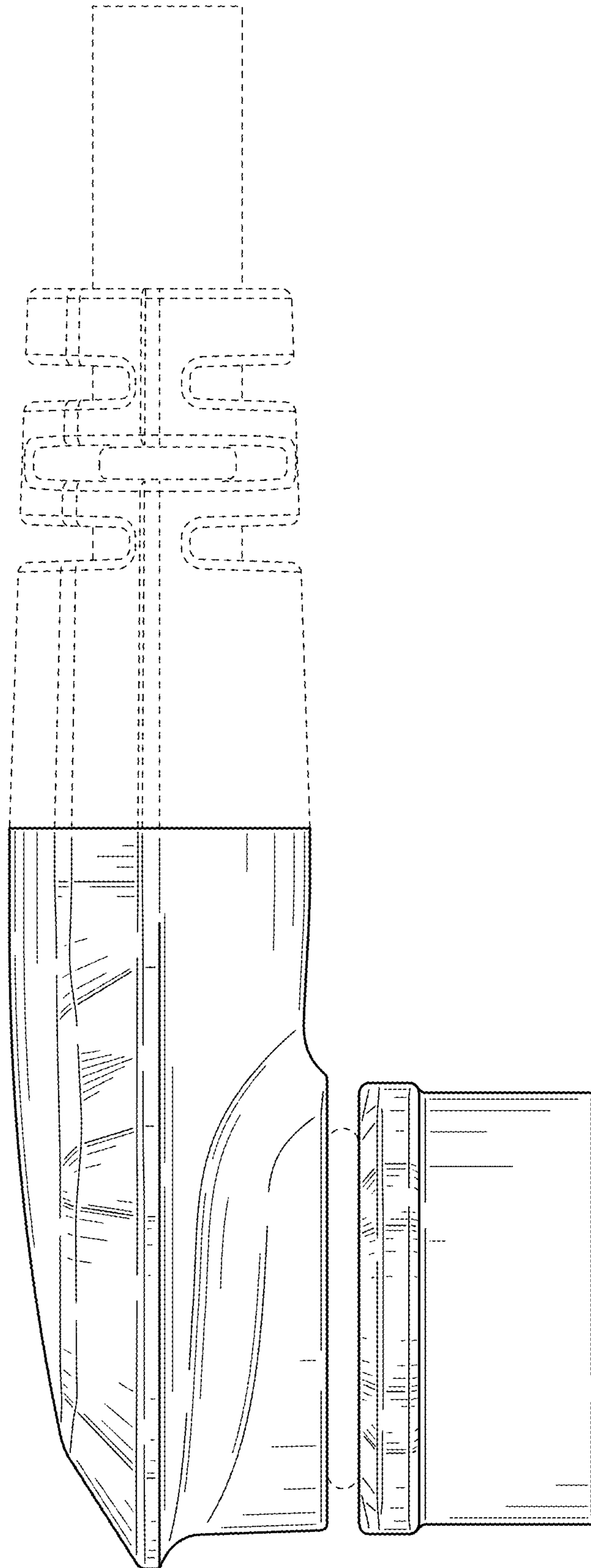


FIG. 7





FIG. 8

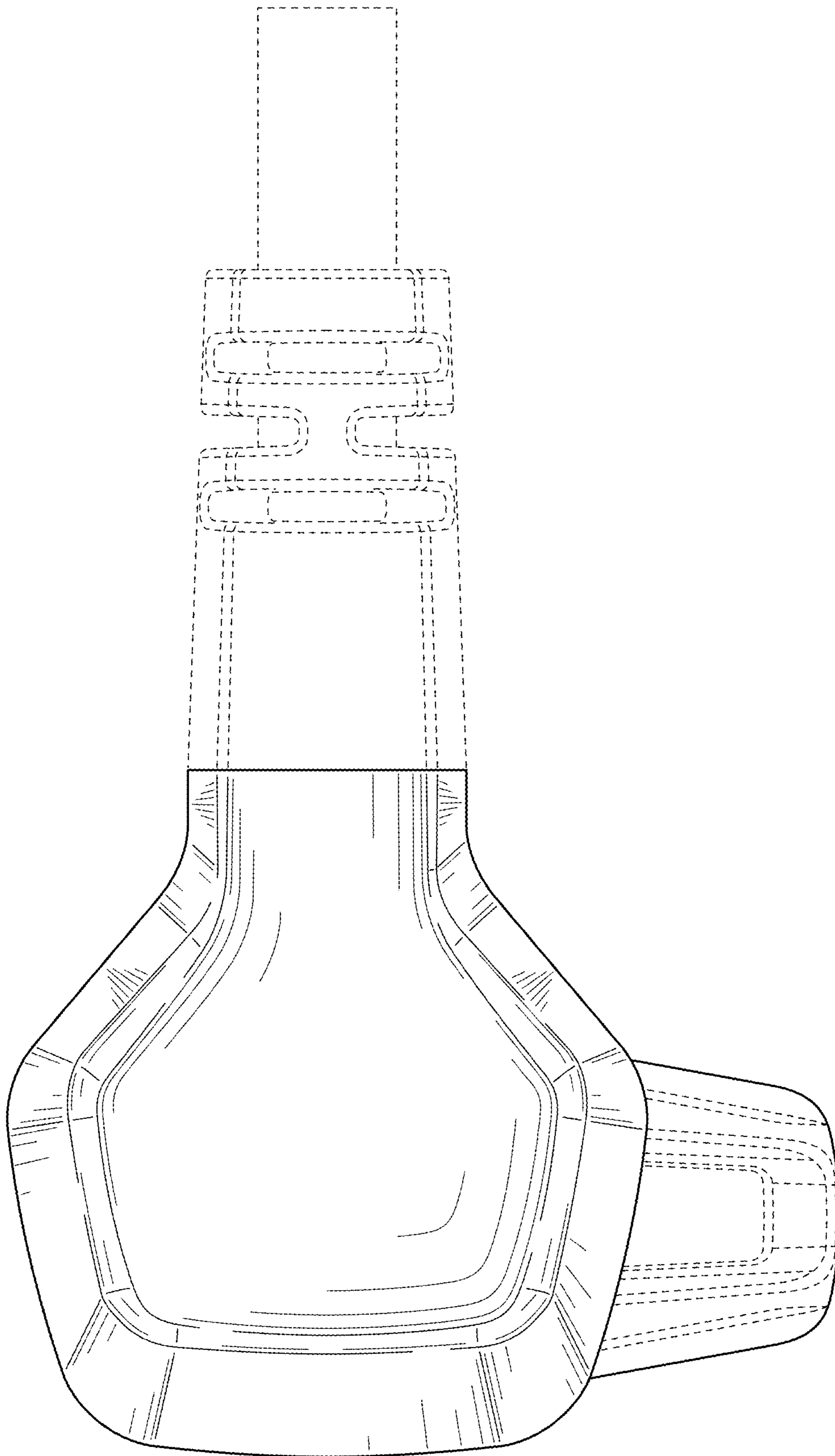


FIG. 9

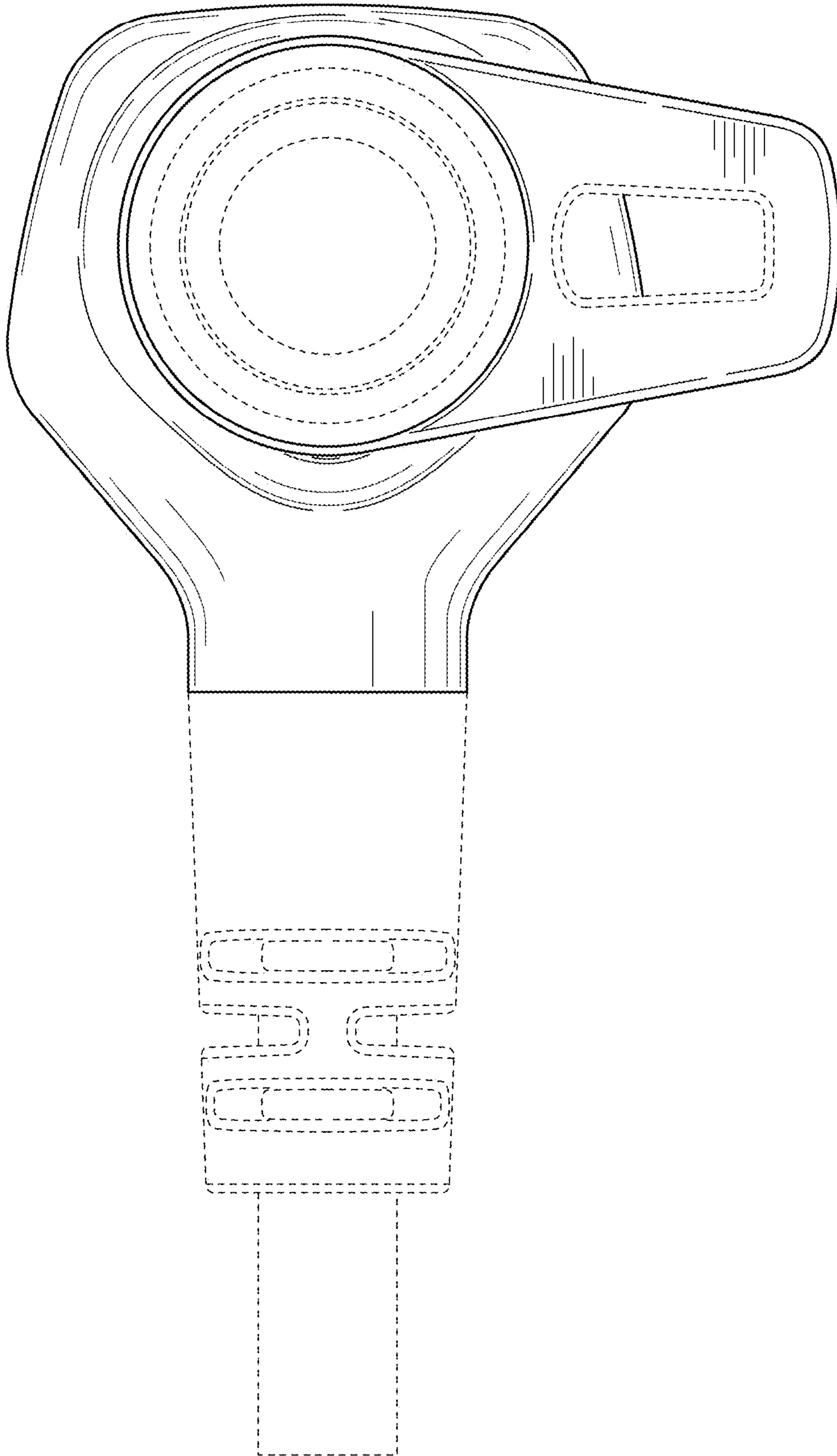


FIG. 10

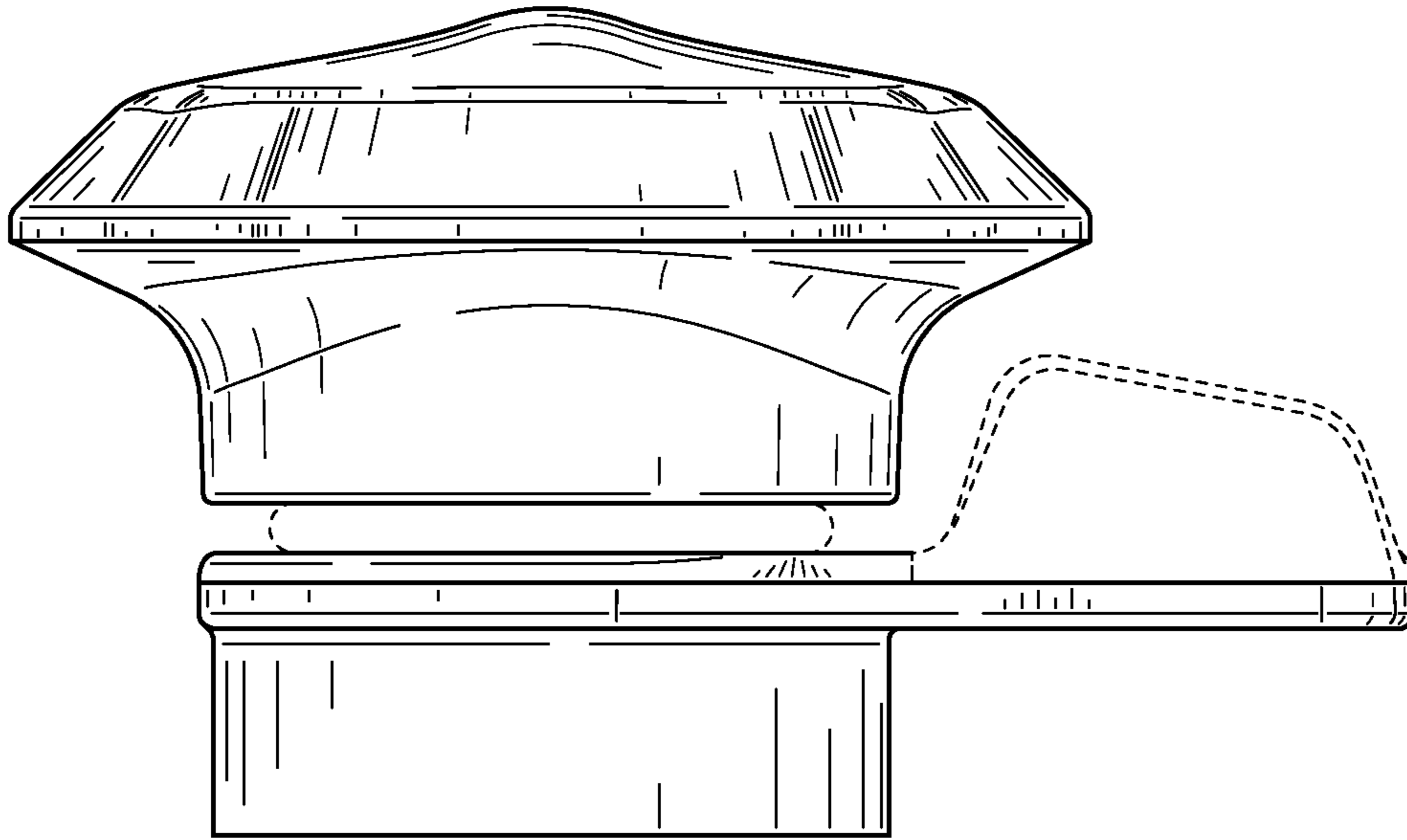


FIG. 12

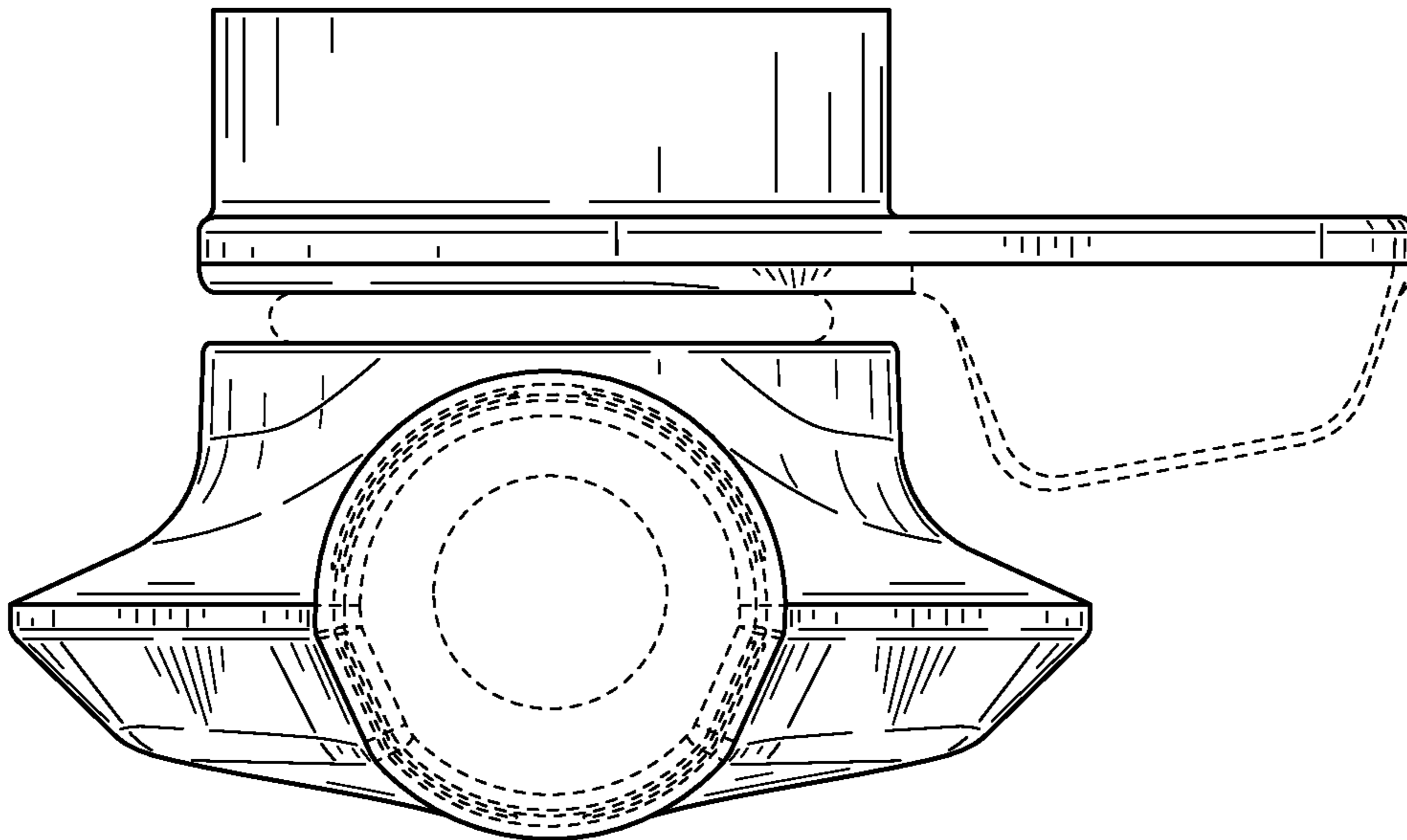


FIG. 11

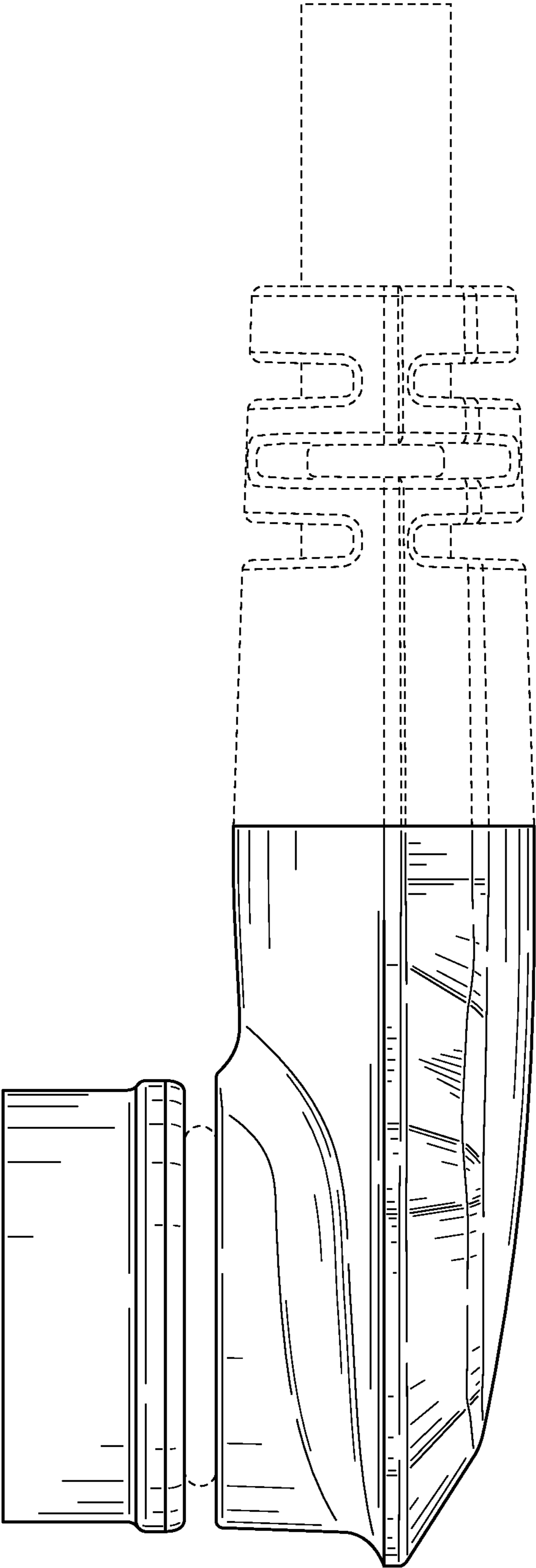


FIG. 13

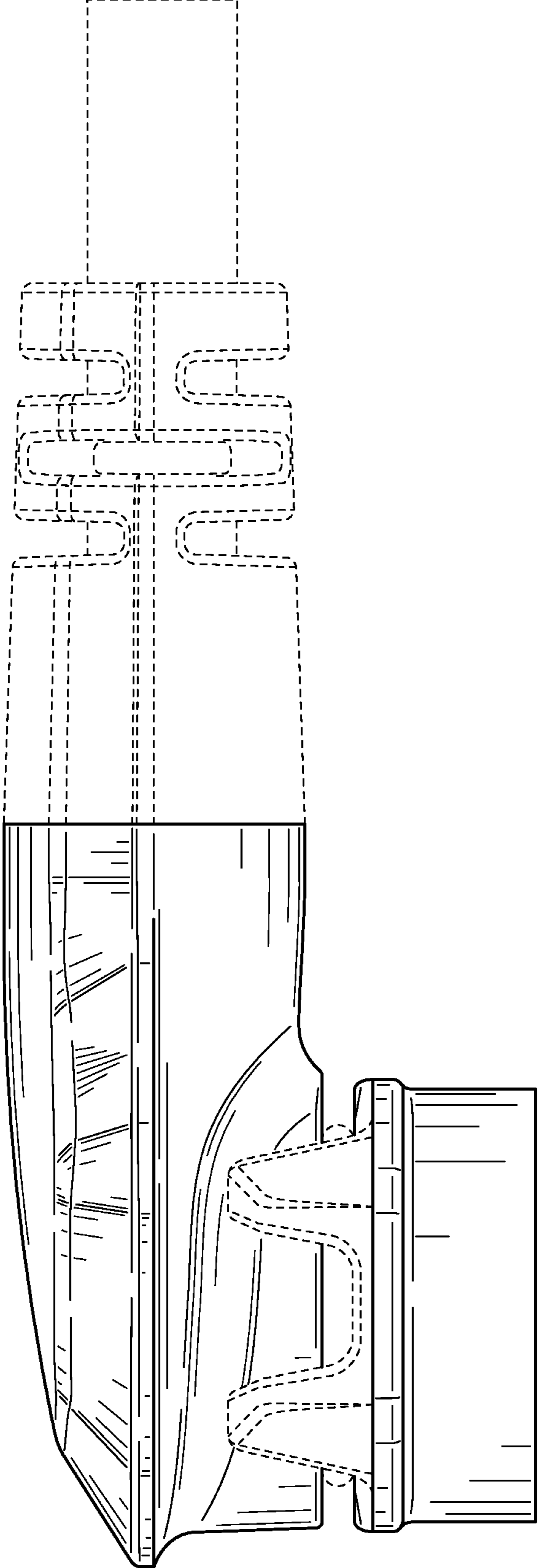


FIG. 14