



US00D916659S

(12) **United States Design Patent** (10) **Patent No.:** **US D916,659 S**
Kohler et al. (45) **Date of Patent:** **** Apr. 20, 2021**

- (54) **BATTERY MODULE**
- (71) Applicant: **Lithion Battery, Inc.**, Henderson, NV (US)
- (72) Inventors: **Marc Kohler**, Austin, TX (US); **Erik Lee**, Cedar Park, TX (US); **Robert Craig Walker**, Cedar Park, TX (US)
- (73) Assignee: **Lithion Battery, Inc.**, Henderson, NV (US)

- D623,125 S 9/2010 Kawabata et al.
- 7,986,124 B2 7/2011 Stone et al.
- D645,813 S * 9/2011 Yamauchi D13/103
- D678,186 S 3/2013 Horiuchi et al.
- D680,950 S 4/2013 Nam et al.
- D695,681 S * 12/2013 Nam D13/103
- 8,779,718 B2 7/2014 Stone et al.
- D721,707 S * 1/2015 Rooyakkers D14/435
- D752,513 S 3/2016 Willard et al.
- D772,159 S 11/2016 Takano et al.
- D785,565 S 5/2017 Xu
- D815,605 S * 4/2018 Yoneda D13/159

(Continued)

(**) Term: **15 Years**

(21) Appl. No.: **29/670,926**

(22) Filed: **Nov. 20, 2018**

Related U.S. Application Data

(63) Continuation of application No. 29/577,346, filed on Sep. 12, 2016, now abandoned.

(51) **LOC (13) Cl.** **13-02**

(52) **U.S. Cl.**
USPC **D13/119**

(58) **Field of Classification Search**
USPC D13/103, 104, 107, 108, 110, 119, 120,
D13/149, 159, 184, 199

See application file for complete search history.

(56) **References Cited**

U.S. PATENT DOCUMENTS

- 3,956,022 A 5/1976 Fox
- 5,366,827 A 11/1994 Belanger et al.
- 5,993,241 A 11/1999 Olson et al.
- 6,219,249 B1 4/2001 Tuccio et al.
- D478,866 S 8/2003 Nakai
- 6,798,170 B2 9/2004 Cummings
- D536,301 S 2/2007 Kawakita et al.
- D548,685 S 8/2007 Eto et al.
- D571,719 S 6/2008 Lee

OTHER PUBLICATIONS

Kohler et al., Design U.S. Appl. No. 29/577,346, filed Sep. 12, 2016; titled "Battery Module", 10 pages.

(Continued)

Primary Examiner — Jennifer O King

(74) *Attorney, Agent, or Firm* — Nixon Peabody LLP; David F. Crosby; Francesco de Rege Thesauro

(57) **CLAIM**

We claim the ornamental design for a battery module, as shown and described.

DESCRIPTION

FIG. 1 is an isometric view of a first embodiment of a battery module.

FIG. 2 is a top plan view thereof;

FIG. 3 is a bottom plan view thereof;

FIG. 4 is a front side view thereof;

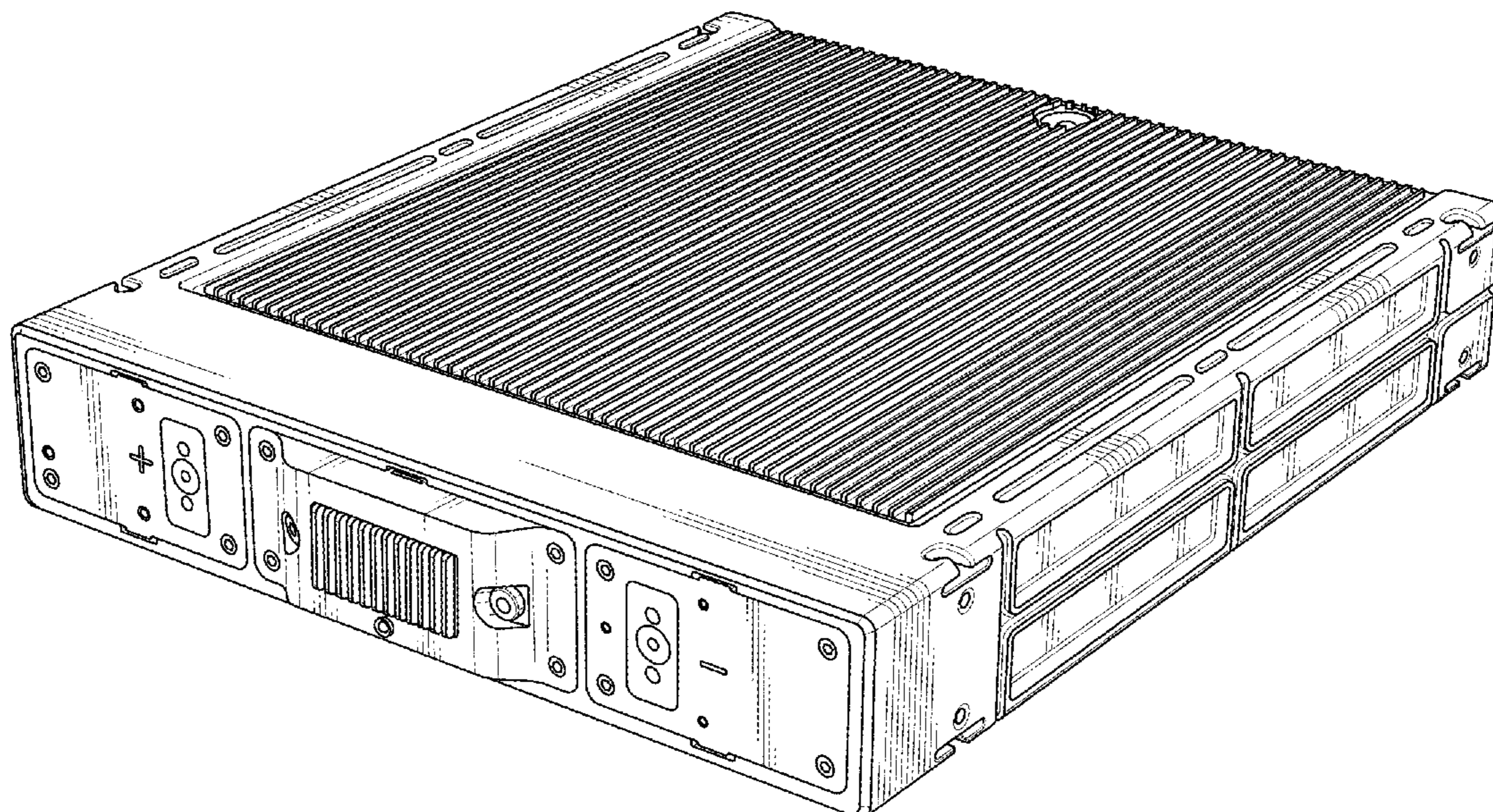
FIG. 5 is a right side view thereof;

FIG. 6 is a left side view thereof;

FIG. 7 is a rear side view thereof; and,

FIG. 8 is an isometric view of a second embodiment of a battery module.

1 Claim, 8 Drawing Sheets



(56)

References Cited

U.S. PATENT DOCUMENTS

10,608,213	B2 *	3/2020	Kohler	H01M 2/1011
2003/0039881	A1	2/2003	Mount	
2008/0118819	A1	5/2008	Gamboa et al.	
2009/0297933	A1	12/2009	Bielawski et al.	
2012/0271723	A1	10/2012	Penilla et al.	
2013/0288096	A1	10/2013	Frutsky et al.	
2014/0322567	A1	10/2014	Stone et al.	
2017/0008417	A1	1/2017	Yoshida et al.	
2018/0076426	A1	3/2018	Kohler et al.	

OTHER PUBLICATIONS

LG Chem, "UPB4850", available online at <http://www.lgesspartner.com/au/front/product/productInfo.dev?productType=ALL&main=Y>, Jul. 31, 2016, 1 page.

Saft, "Synerion® 48P High Power Lithium-Ion Module 48 V—18 kW", Product Brochure, May 2012, France, 2 pages.

SimpliPhi, "OES2.6 Smart-Tech Battery", available online at <http://simpliphipower.com/products/oes2-6-smart-tech-battery/>, Feb. 11, 2016, 5 pages.

Super B, "SB12V160E-ZC", available online at <http://www.superb.com/en/product/30/5/5/sb12v160e-zc>, Nov. 1, 2015, 4 pages.

WO PCT/US2017/050998 Inv Pay Fees, Nov. 8, 2017, Valence Technology, Inc.

WO PCT/US2017/050998 IPRP, dated Mar. 12, 2019, Lithium Werks Technology BV.

WO PCT/US2017/050998 Search Rept., dated Jan. 9, 2018, Valence Technology, Inc.

WO PCT/US2017/050998 Writ. Opin., dated Jan. 9, 2018, Valence Technology, Inc.

Power-Sonic Corporation, "PowerSonic PDC-12350 Rechargeable Sealed Lead Acid Battery", Product Specification Sheet 2012, United States, 2 pages.

Samsung SDI, "ESS Batteries by Samsung SDI", ESS Battery Solutions Reference Guide. May 2017, United States, 7 pages.

St. Angelo, U.S. Appl. No. 60/505,125, filed Sep. 22, 2003, titled "Large Format Secondary Battery", 43 pages.

Stone, U.S. Appl. No. 60/559,171, filed March 31, 2004, titled "Electrical Systems, Power Supply Apparatuses, and Power Supply Operations Methods", 199 pages.

Valence Technology, Inc., "UCharge Battery Modules", Aug. 13, 2017, United States; 1 page.

Werker, "Lead Acid Battery", Aug. 10, 2017, United States, 1 page.

Kohler et al., U.S. Appl. No. 62/393,446, filed Sep. 12, 2016, titled "Battery Modules and Methods of Use", 53 pages.

Lithium Ion Battery Text Centre, "Sony Fortelion", available online at <https://batterytestcenter.com/au/results/sony-fortelion/>, Aug. 22, 2016, 2 pages.

Models Plus Inc. A Complete Model Making Company, available online at <http://www.modelsplusinc.com/gallery.php>, Jul. 29, 2016, 1 page.

Saft, "Seanergy® Modules", available online at <http://www.saftbatteries.com/battery-search/seanergy?-modules>, Sep. 27, 2015, 3 pages.

Sony, "Sony to Ships 1.2kWh Energy Storage Modules using Rechargeable Lithium-Ion Batteries made from Olivine-Type Phosphate", Press Release, available online at <https://www.sony.net/SonyInfo/News/Press/201104/11-053E/>, Apr. 18, 2011 (revised May 10, 2011), 3 pages.

* cited by examiner

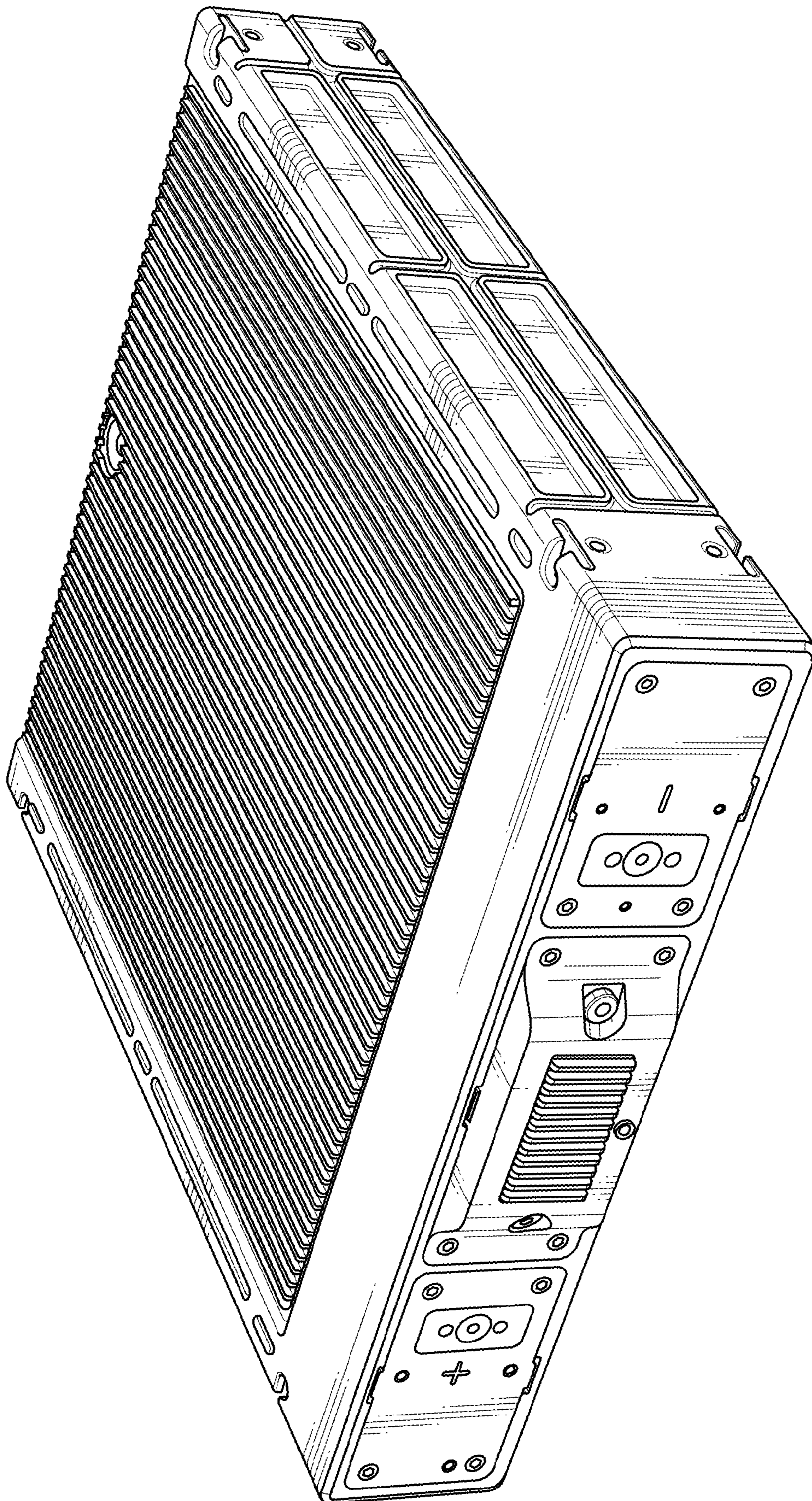


FIG. 1

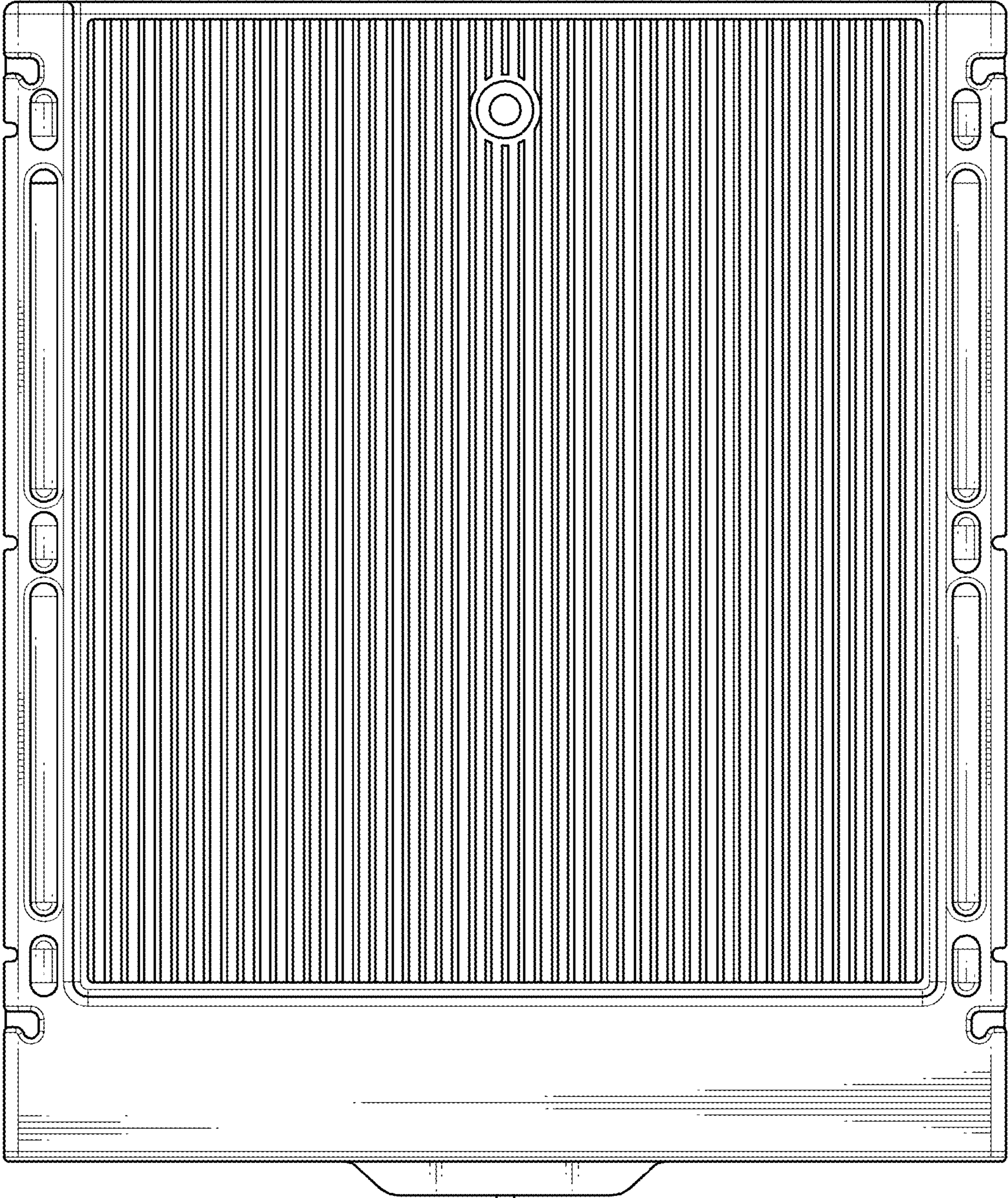


FIG. 2

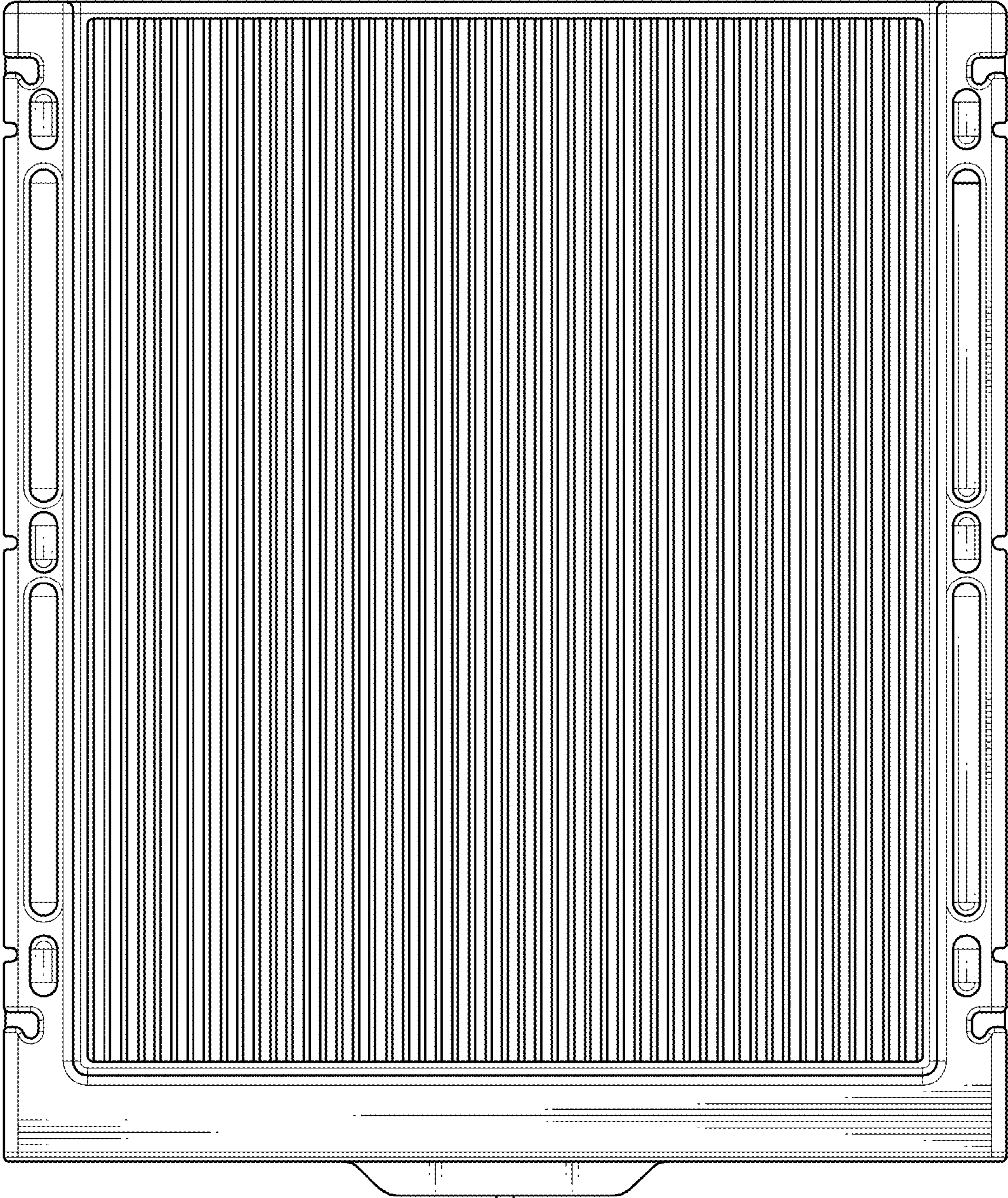


FIG. 3

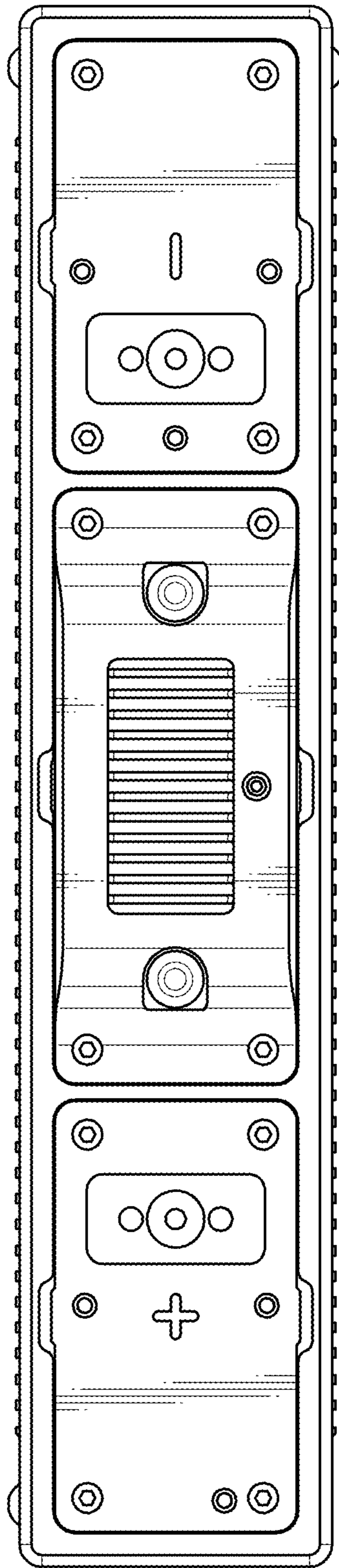


FIG. 4

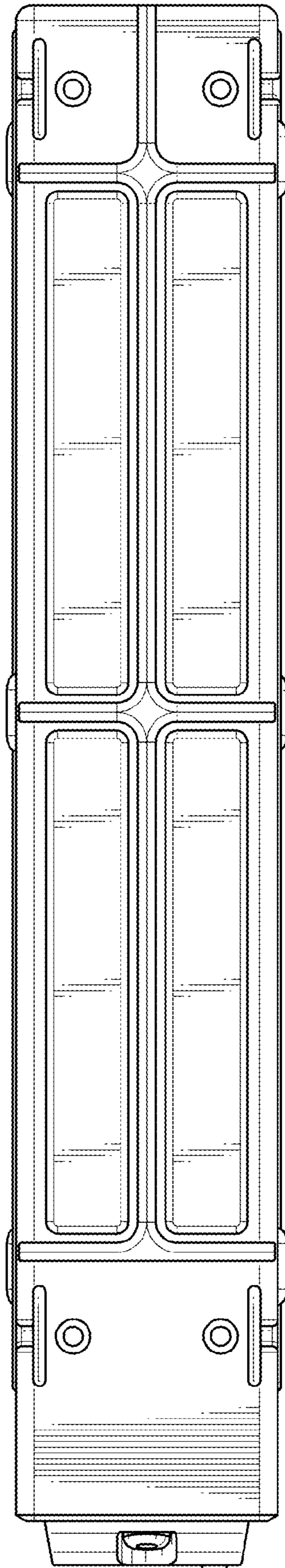


FIG. 5

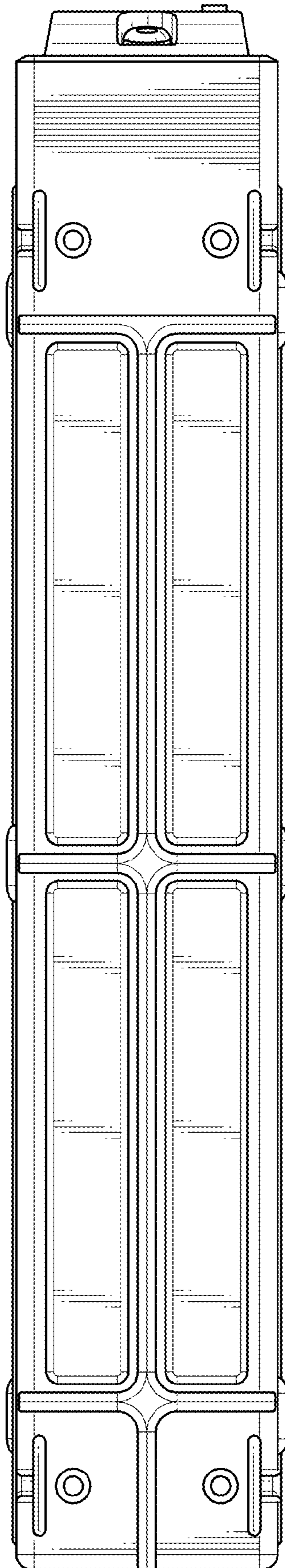


FIG. 6

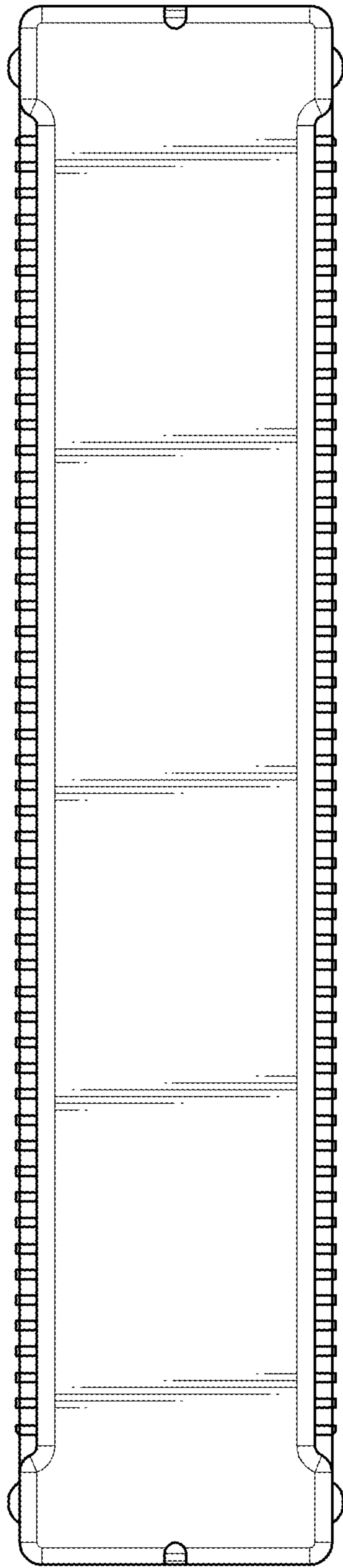


FIG. 7

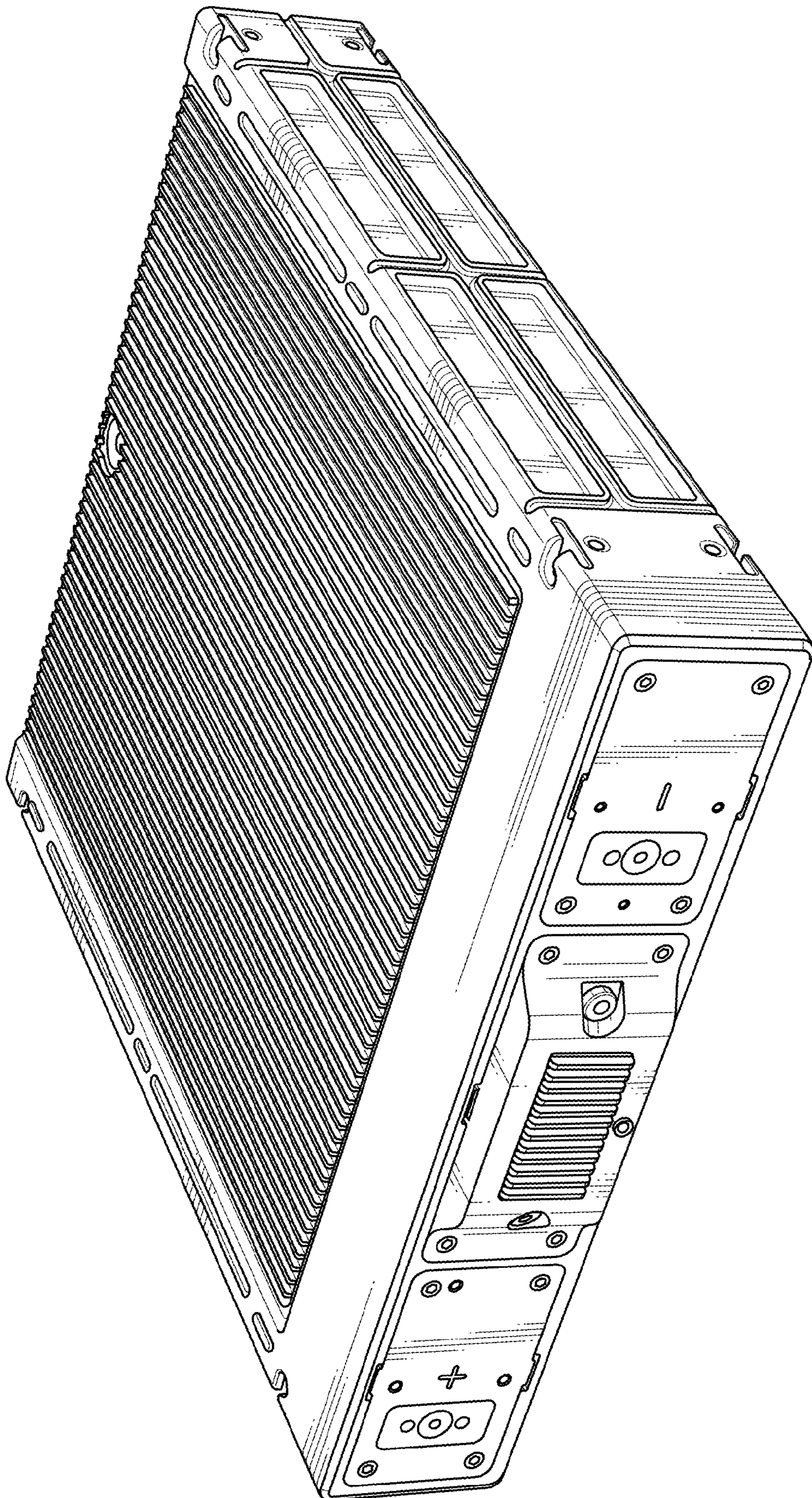


FIG. 8