



US00D916657S

(12) **United States Design Patent** (10) **Patent No.:** **US D916,657 S**
Chen (45) **Date of Patent:** **** Apr. 20, 2021**

(54) **WIRELESS CHARGER**
(71) Applicant: **shenzhen wei shu ke ji you xian gong si**, Shenzhen (CN)
(72) Inventor: **Liang Chen**, Shenzhen (CN)
(73) Assignee: **Shenzhen wei shu ke ji you xian gong si**, Shenzhen (CN)
(**) Term: **15 Years**

D711,875 S * 8/2014 Daniel D14/385
D712,827 S * 9/2014 Maeda D13/108
D721,648 S * 1/2015 Breines D13/107
D727,329 S * 4/2015 Johnson D14/434
D789,294 S * 6/2017 Yue D13/108
D814,404 S * 4/2018 Barajas D13/107
D828,806 S * 9/2018 Smith D13/108
D829,650 S * 10/2018 Buller D13/108
D863,218 S * 10/2019 Chen D13/108
D865,665 S * 11/2019 Shor D13/108
D870,656 S * 12/2019 Waldron D13/107
D873,770 S * 1/2020 Wang D13/108

* cited by examiner

(21) Appl. No.: **29/745,578**
(22) Filed: **Aug. 6, 2020**
(51) **LOC (13) Cl.** **13-02**
(52) **U.S. Cl.**
USPC **D13/108**
(58) **Field of Classification Search**
USPC D13/103, 107–110, 118–119, 184, 199;
D14/432, 434
CPC H01M 2/02; H01M 2/0202; H01M 10/44;
H02J 7/0026; H02J 7/0042; H02J 7/0044;
H02J 7/0045; H02J 7/0013; H02J 7/0003;
H02J 50/00; H02J 50/10; H02J 50/12;
H02J 50/80; H02J 7/025; H02J 7/005;
H02J 7/0027; G06F 1/1632; G06F 13/00
See application file for complete search history.

Primary Examiner — Rosemary K Tarcza
(74) *Attorney, Agent, or Firm* — ScienBiziP, P.C.

(57) **CLAIM**

The ornamental design for a wireless charger, as shown and described.

DESCRIPTION

FIG. 1 is a front perspective view of the wireless charger showing my design.
FIG. 2 is a bottom rear perspective view of the wireless charger.
FIG. 3 is a front elevation view thereof.
FIG. 4 is a rear elevation view thereof.
FIG. 5 is a left side elevation view thereof.
FIG. 6 is a right side elevation view thereof.
FIG. 7 is a top plan view thereof.
FIG. 8 is a bottom plan view thereof; and,
FIG. 9 is an enlarged view of a encircled portion 9 shown in FIG. 1.

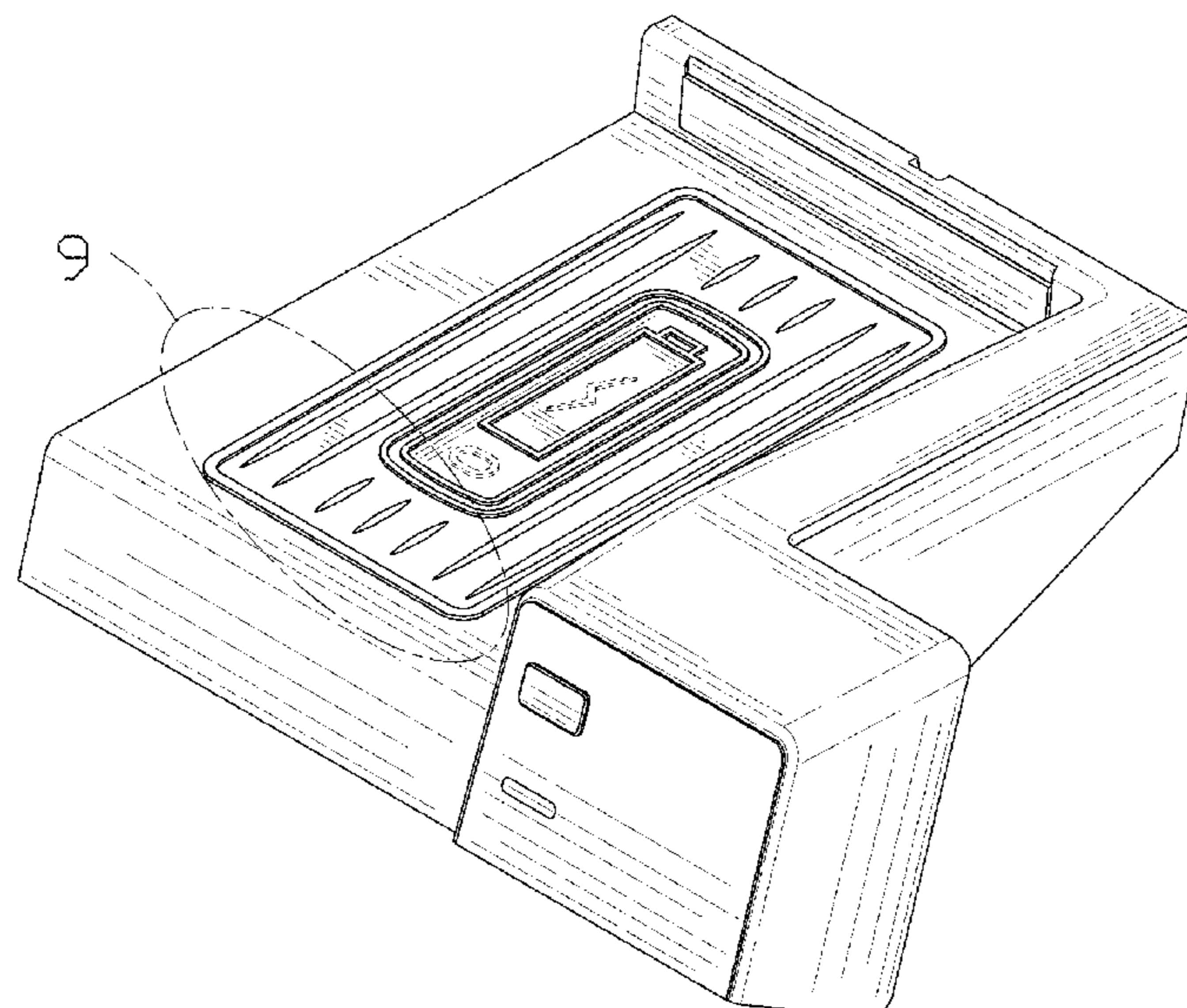
The evenly dashed broken lines shown in the drawings are for the purpose of illustrating portions of the wireless charger that form no part of the claimed design. The unevenly dashed lines shown in FIGS. 1 and 9 are for the purpose of illustrating the boundaries of the encircled portion, and form no part of the claimed design.

1 Claim, 9 Drawing Sheets

(56) **References Cited**

U.S. PATENT DOCUMENTS

D302,677 S * 8/1989 Precht D13/108
D327,247 S * 6/1992 Higuchi D13/108
D409,976 S * 5/1999 Buck D13/107
D420,323 S * 2/2000 Nakamura D13/107
D461,447 S * 8/2002 Nawrozki D13/107
D533,505 S * 12/2006 Chen D13/147
D561,763 S * 2/2008 Dinesh D14/434
D652,793 S * 1/2012 Tschopp D13/107
D655,245 S * 3/2012 Itoh D13/110
D659,636 S * 5/2012 Okuda D13/108
D666,145 S * 8/2012 Kim D13/108



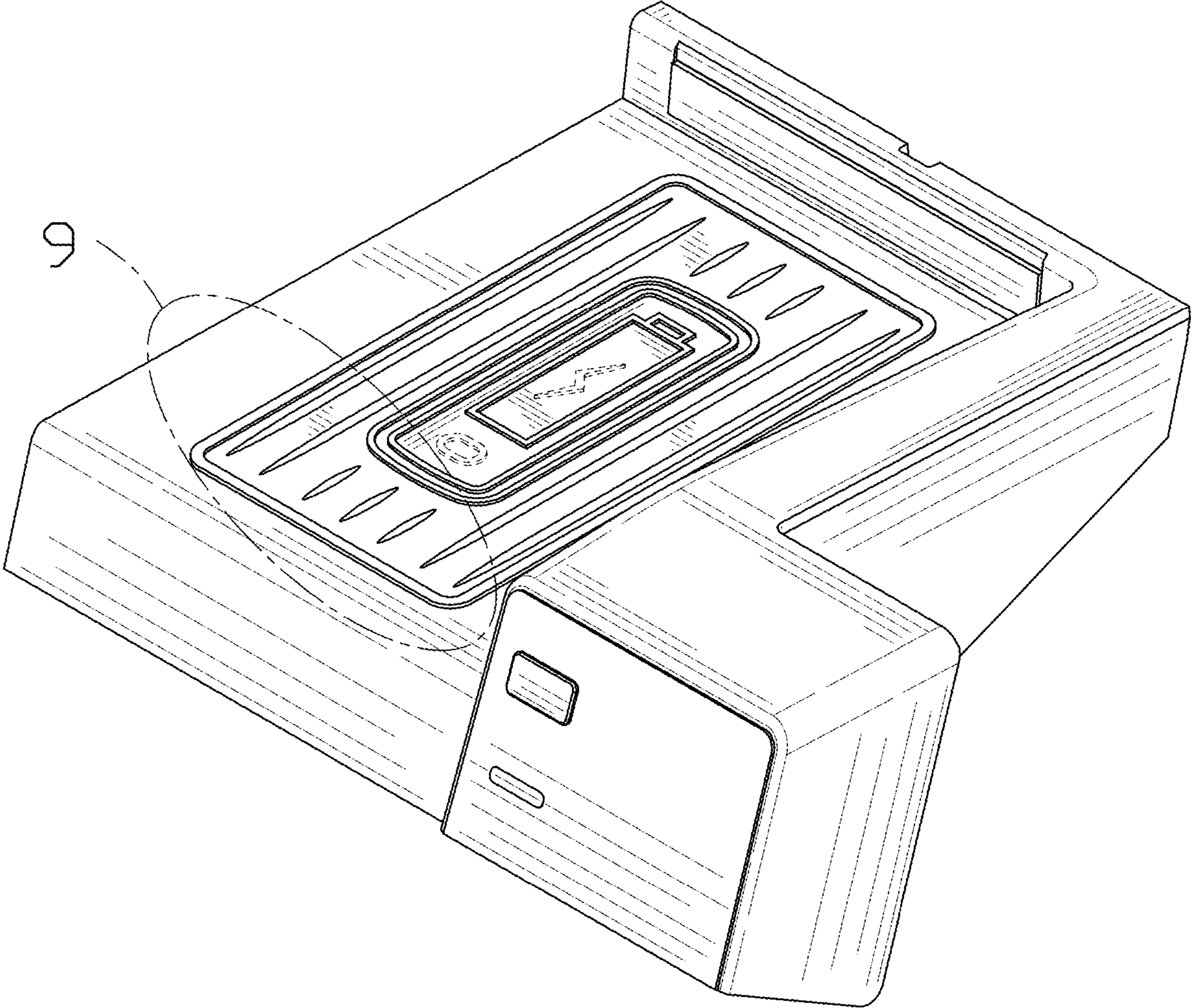


FIG. 1

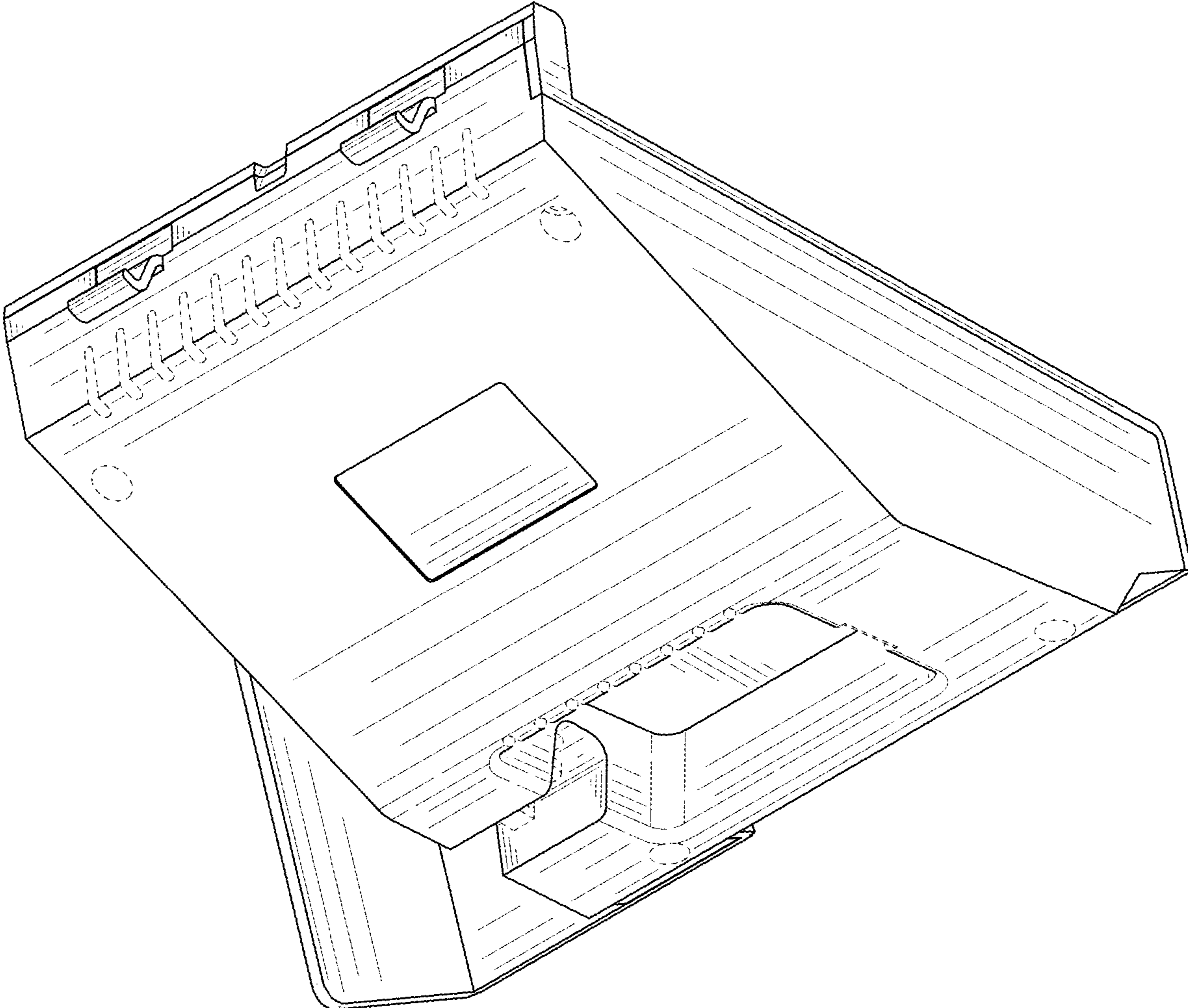


FIG. 2

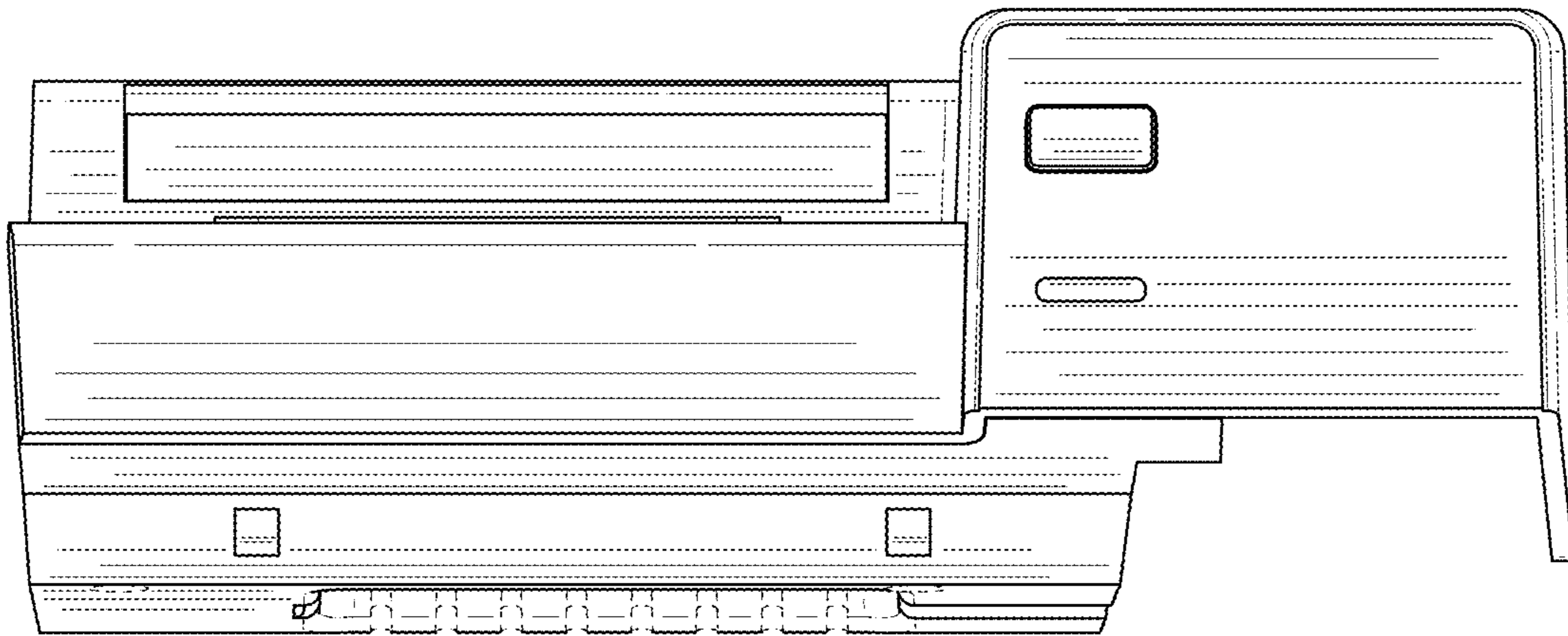


FIG. 3

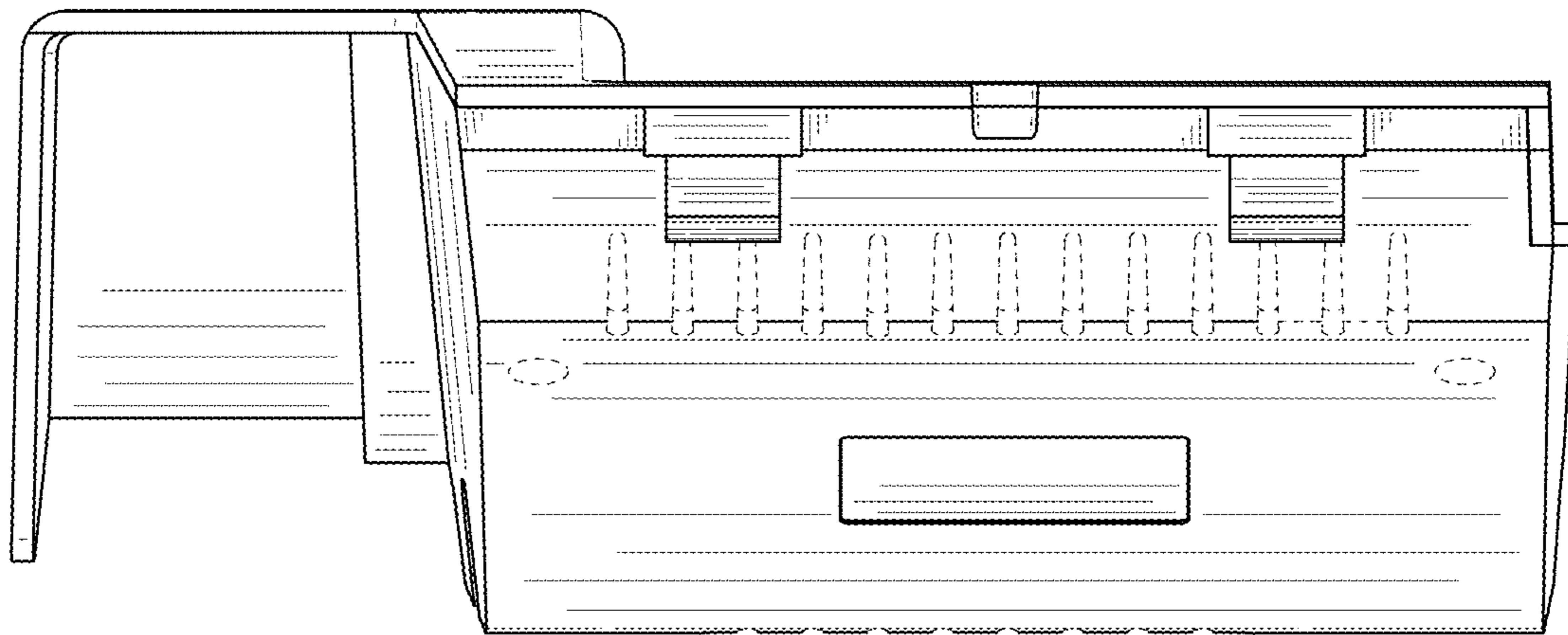


FIG. 4

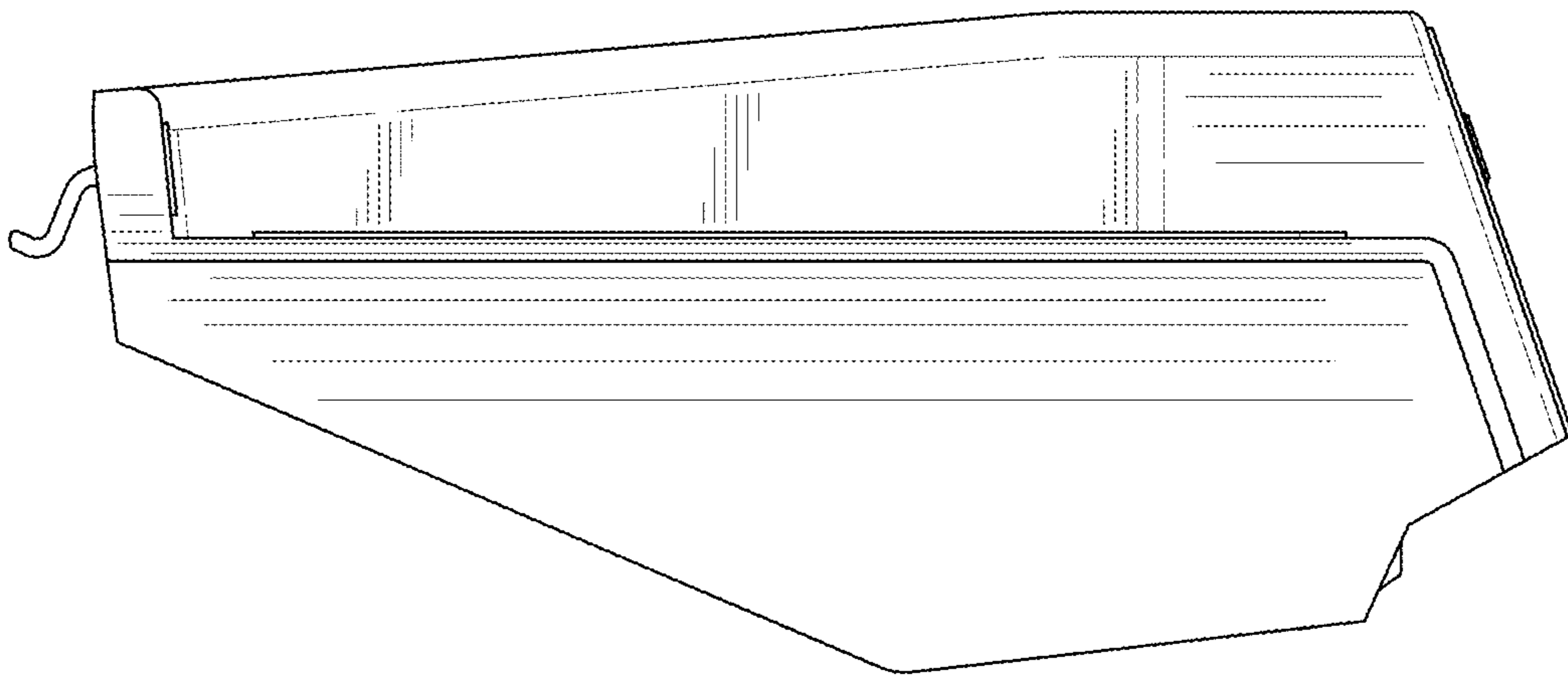


FIG. 5

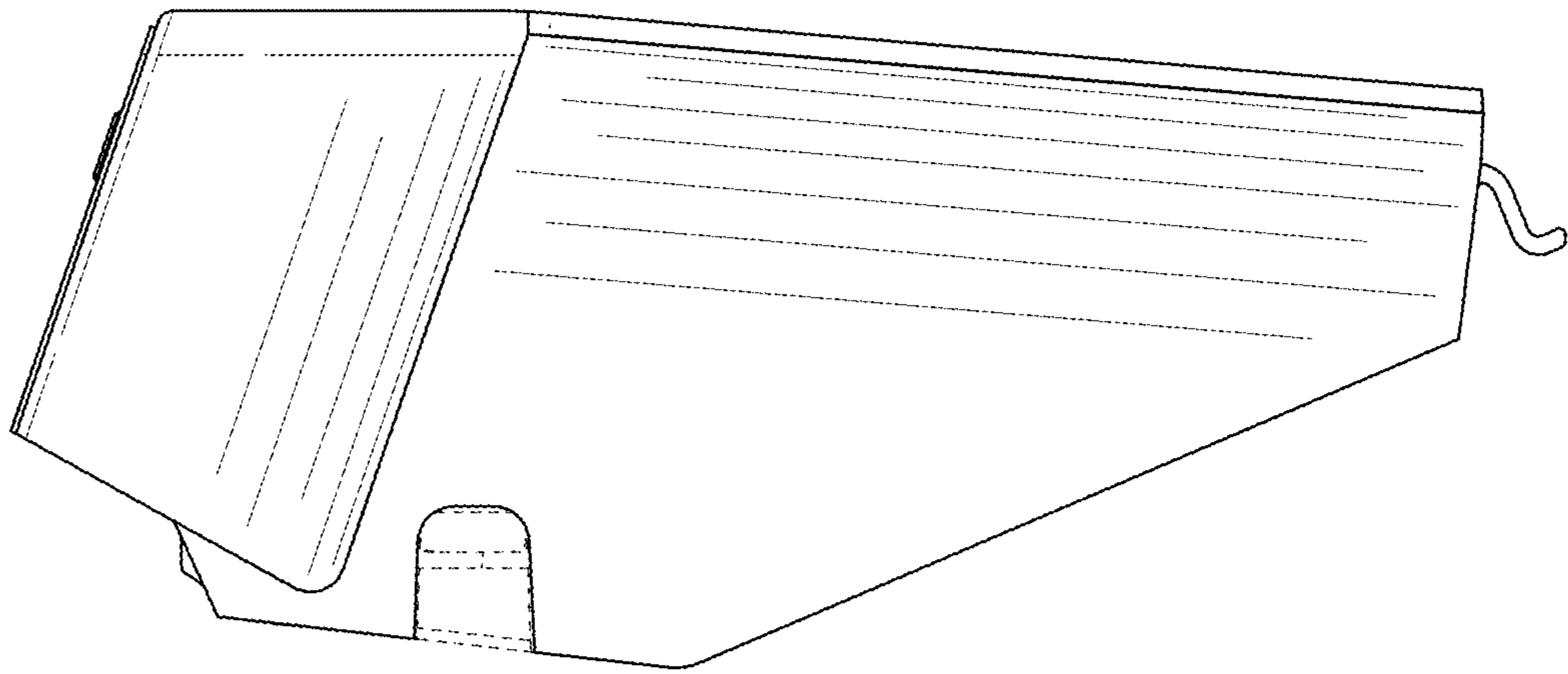


FIG. 6

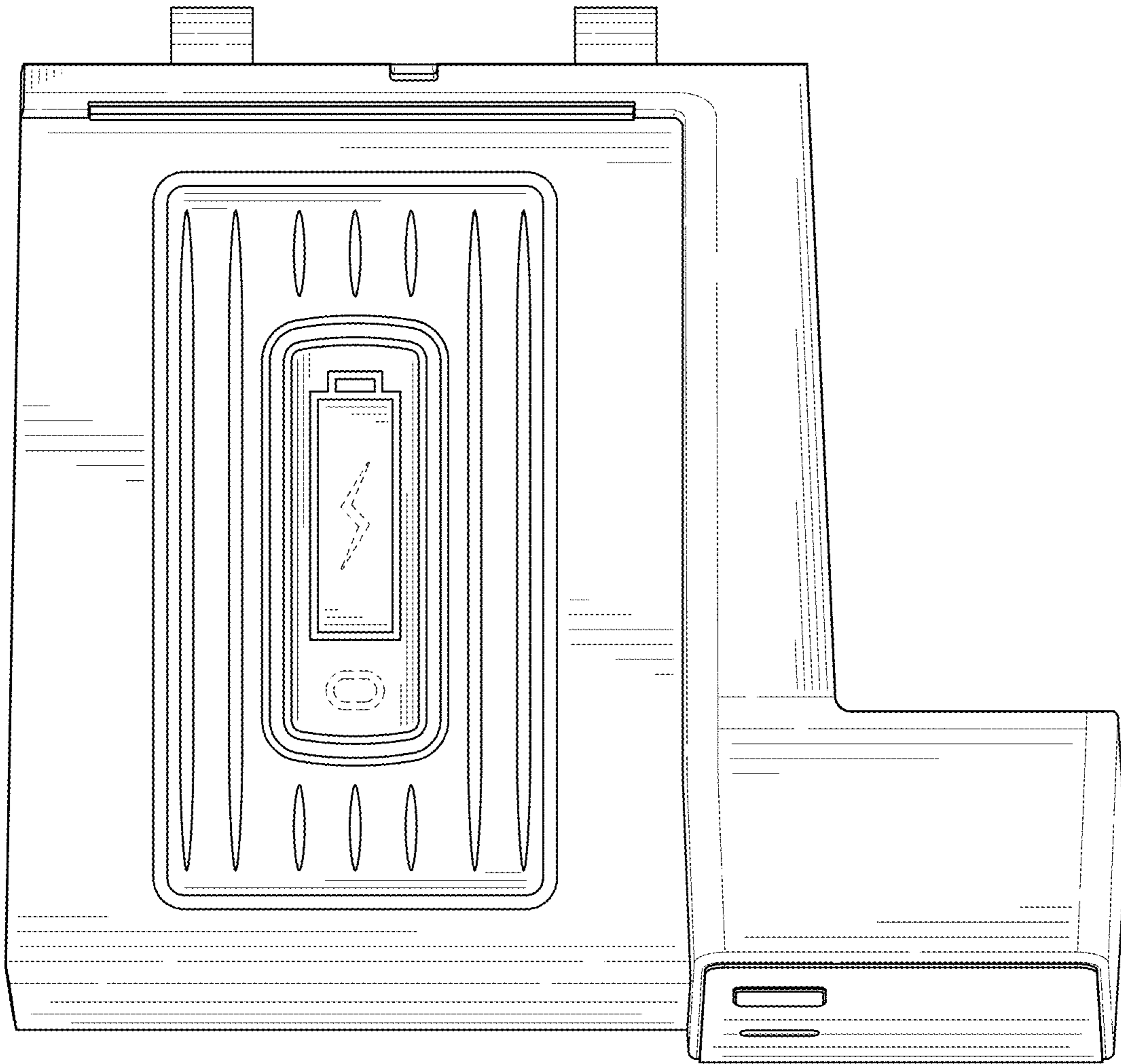


FIG. 7

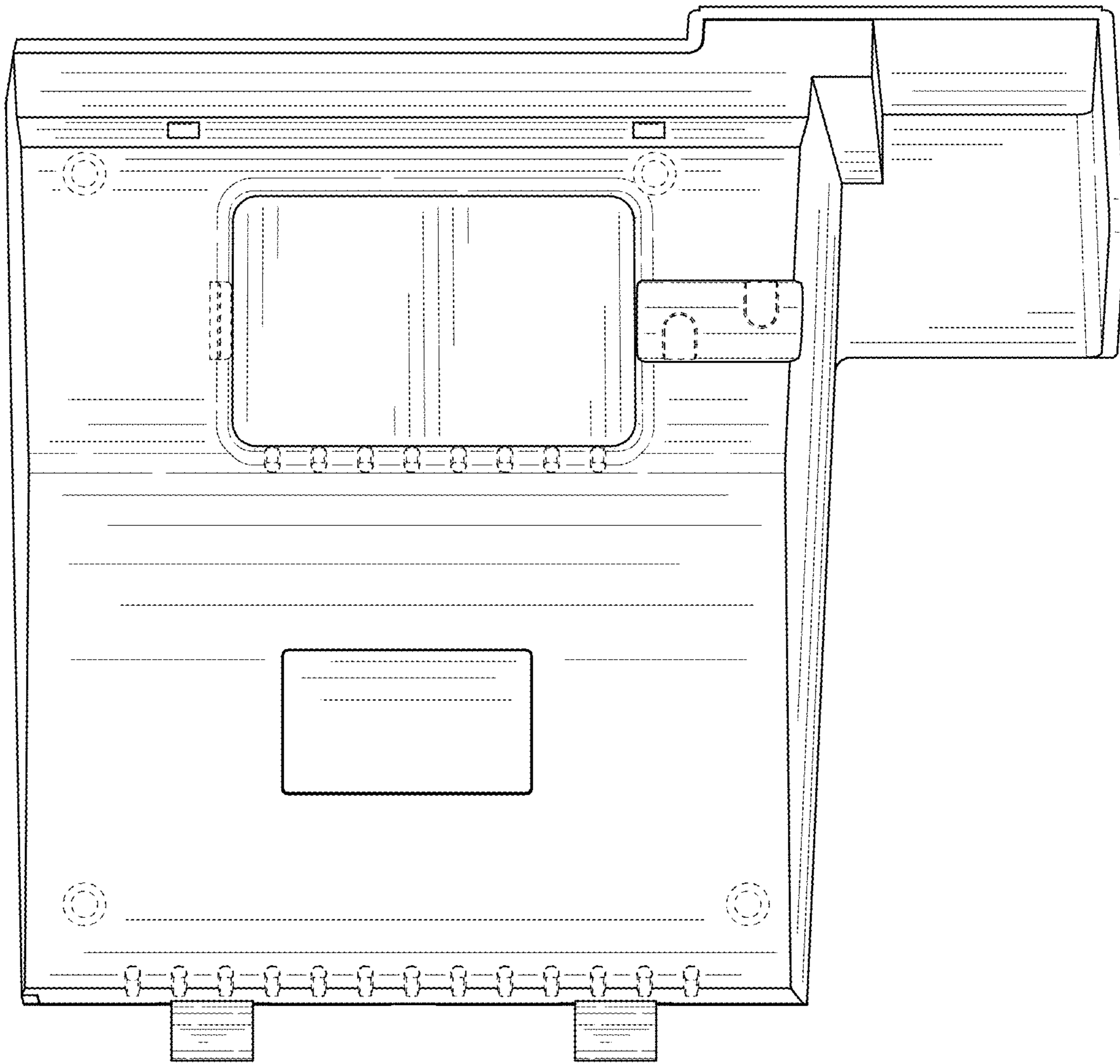


FIG. 8

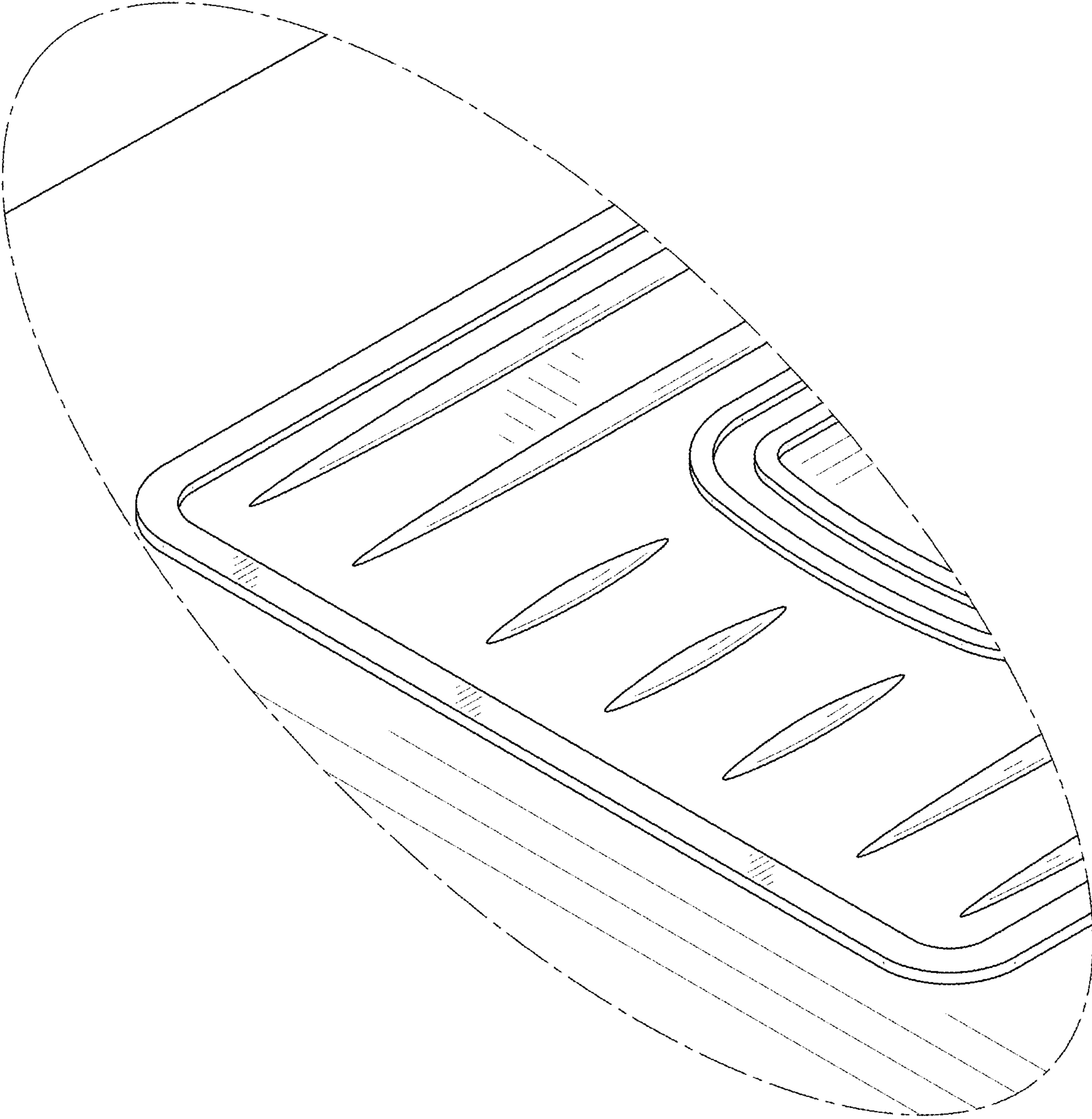


FIG. 9