



US00D916656S

(12) **United States Design Patent** (10) **Patent No.:** **US D916,656 S**
Choe (45) **Date of Patent:** **** Apr. 20, 2021**

(54) **VAPE PEN CHARGING STAND**

(71) Applicant: **Vessel Brand, Inc.**, Carlsbad, CA (US)
(72) Inventor: **James Choe**, Carlsbad, CA (US)
(73) Assignee: **VESSEL BRAND, INC.**, Carlsbad, CA (US)

(**) Term: **15 Years**

(21) Appl. No.: **29/714,255**

(22) Filed: **Nov. 21, 2019**

(51) **LOC (13) Cl.** **13-02**

(52) **U.S. Cl.**
USPC **D13/108; D27/183**

(58) **Field of Classification Search**
USPC D13/103, 107, 108, 109, 110, 116, 118,
D13/119, 199; D3/205; D4/100, 101,
D4/199; D6/524, 526, 534; D14/209.1,
D14/224, 251, 252, 434, 447; D27/172,
D27/183, 186, 193
CPC H04R 1/1025; H02J 7/342; H01M 10/44
See application file for complete search history.

(56) **References Cited**

U.S. PATENT DOCUMENTS

5,994,855	A *	11/1999	Lundell	A61C 17/221
					318/114
D516,025	S *	2/2006	Quinn	D13/108
D524,282	S *	7/2006	Beasley	D13/108
D576,547	S *	9/2008	Kling	D13/108
D744,159	S *	11/2015	Lukas	D27/183
D761,343	S *	7/2016	Schmidt	D16/242
D786,789	S *	5/2017	Jordan	D13/108
D789,373	S *	6/2017	King	D14/434
D870,040	S *	12/2019	Wu	D13/108
D873,831	S *	1/2020	DePaolo	D14/434
D875,736	S *	2/2020	Ramones	D14/447
2008/0313829	A1 *	12/2008	Dabrowski	A61C 17/221
					15/22.1

(Continued)

OTHER PUBLICATIONS

“Acupress Pen Stand Holder”. Found online Dec. 29, 2020 at amazon.com. Reference dated Apr. 26, 2016. Retrieved from https://www.amazon.com/Acupress-Holder-Compatible-Intuos-CTL680/dp/B01ESYEWU. (Year: 2016).*

(Continued)

Primary Examiner — Kendra Leslie Hamilton

Assistant Examiner — Amanda Christensen

(74) *Attorney, Agent, or Firm* — Lapple Ubell IP Law, LLP; Matthew C. Lapple

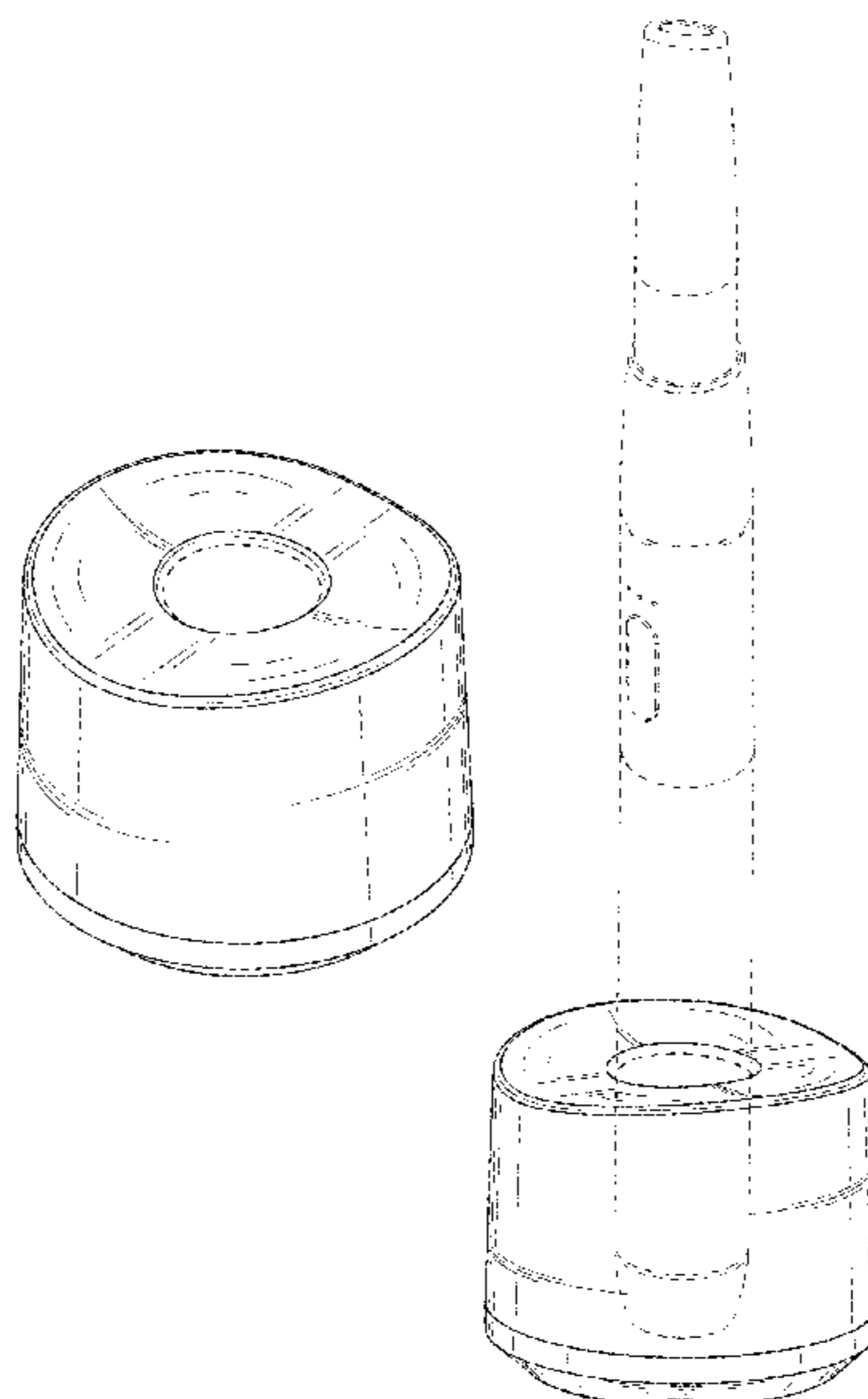
(57) **CLAIM**

The ornamental design for a vape pen charging stand, as shown and described.

DESCRIPTION

FIG. 1 is a top, front, left side perspective view of a vape pen charging stand, showing my new design; FIG. 2 is a front elevation view thereof; FIG. 3 is a back elevation view thereof; FIG. 4 is a left side elevation view thereof; FIG. 5 is a top plan view thereof; FIG. 6 is a right side elevation view thereof; FIG. 7 is a bottom plan view thereof; FIG. 8 is a top, front, left side perspective view of the vape pen charging stand of FIG. 1, shown in a first condition of use; and, FIG. 9 is a top, front, left side perspective view of the vape pen charging stand of FIG. 1, shown in a second condition of use. In the drawings, the broken lines depict portions of the vape pen charging stand that form no part of the claimed design. In FIGS. 8 and 9, the broken lines showing a vape pen depict environmental subject matter only, and form no part of the claimed design.

1 Claim, 4 Drawing Sheets



(56)

References Cited

U.S. PATENT DOCUMENTS

2012/0162059 A1* 6/2012 Chuang G06F 3/03542
345/156

OTHER PUBLICATIONS

“Vessel Vape Pen Charging Stand”. Found online Dec. 30, 2020 at facebook.com. Reference dated Jan. 29, 2020. Retrieved from <https://www.vesselbrand.com/products/base-charging-stand>. (Year: 2020).*

“Vanki Stand Base”. Found online Jan. 4, 2021 at bahrain.desertcart.com. Reference dated Apr. 29, 2018. Retrieved from <https://bahrain.desertcart.com/products/47030913-vanki-1-pcs-metal-tank-stand-base-holder-for-510-thread-tank-blue>. (Year: 2018).*

* cited by examiner

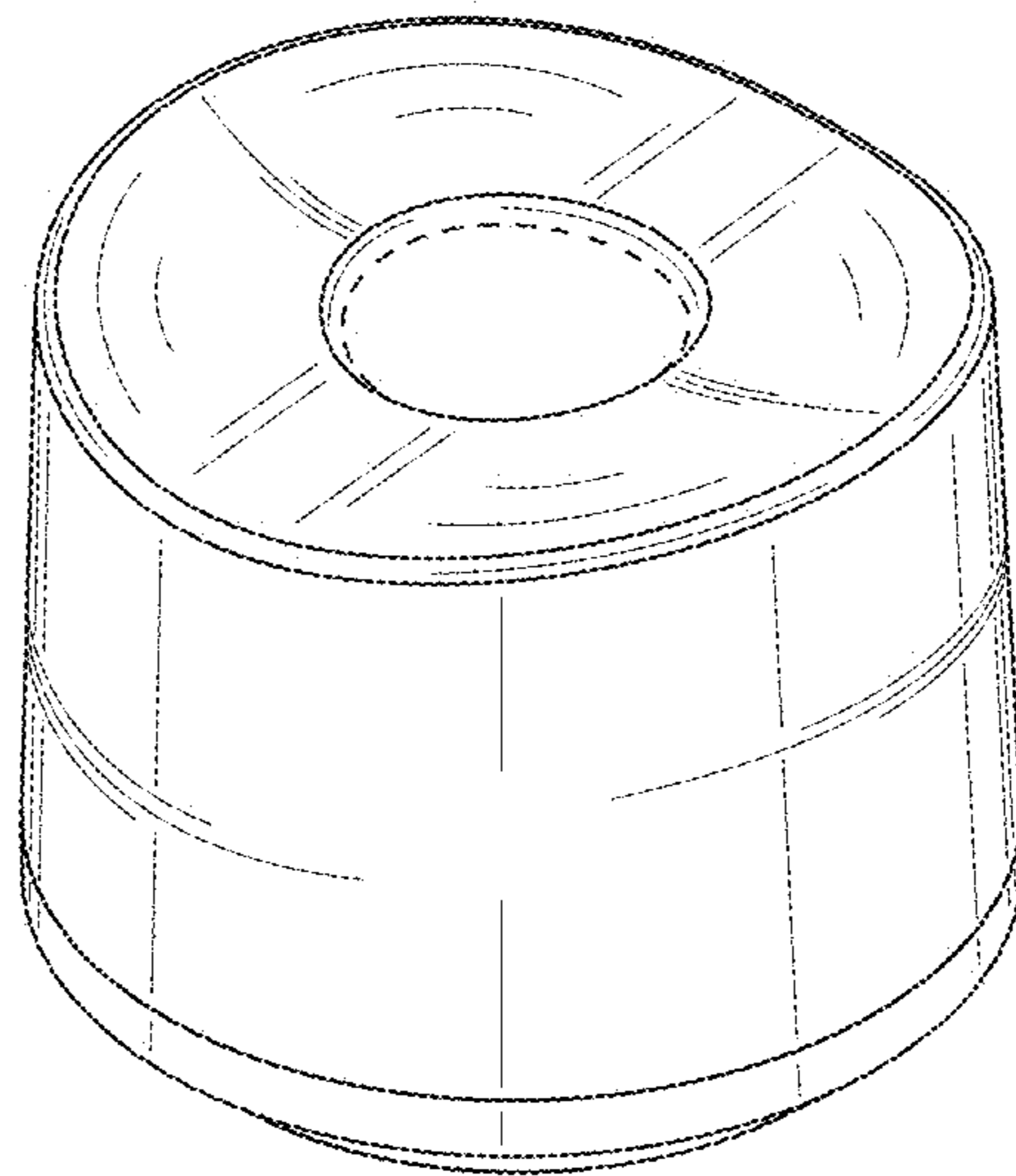


FIG. 1

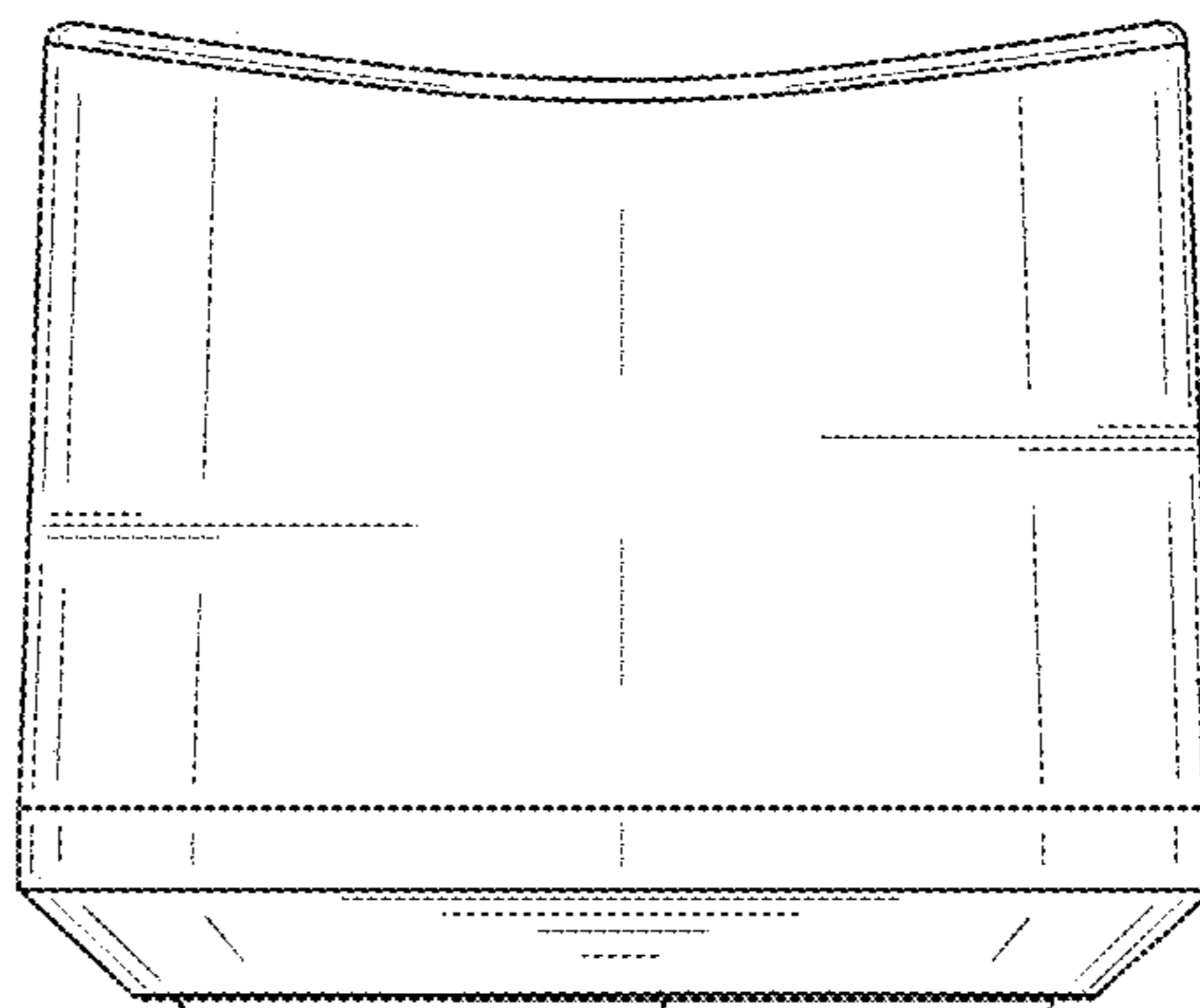


FIG. 2

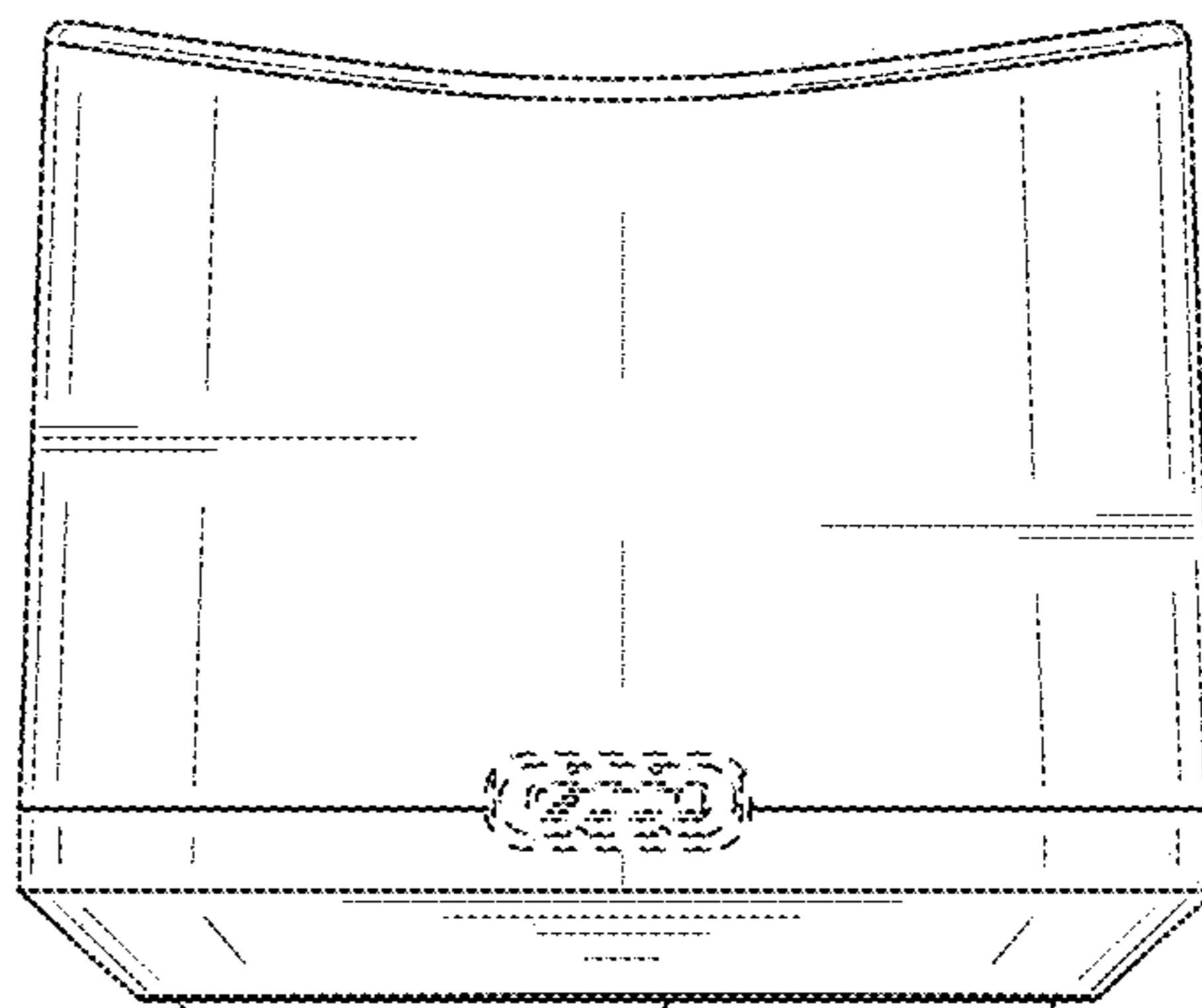


FIG. 3

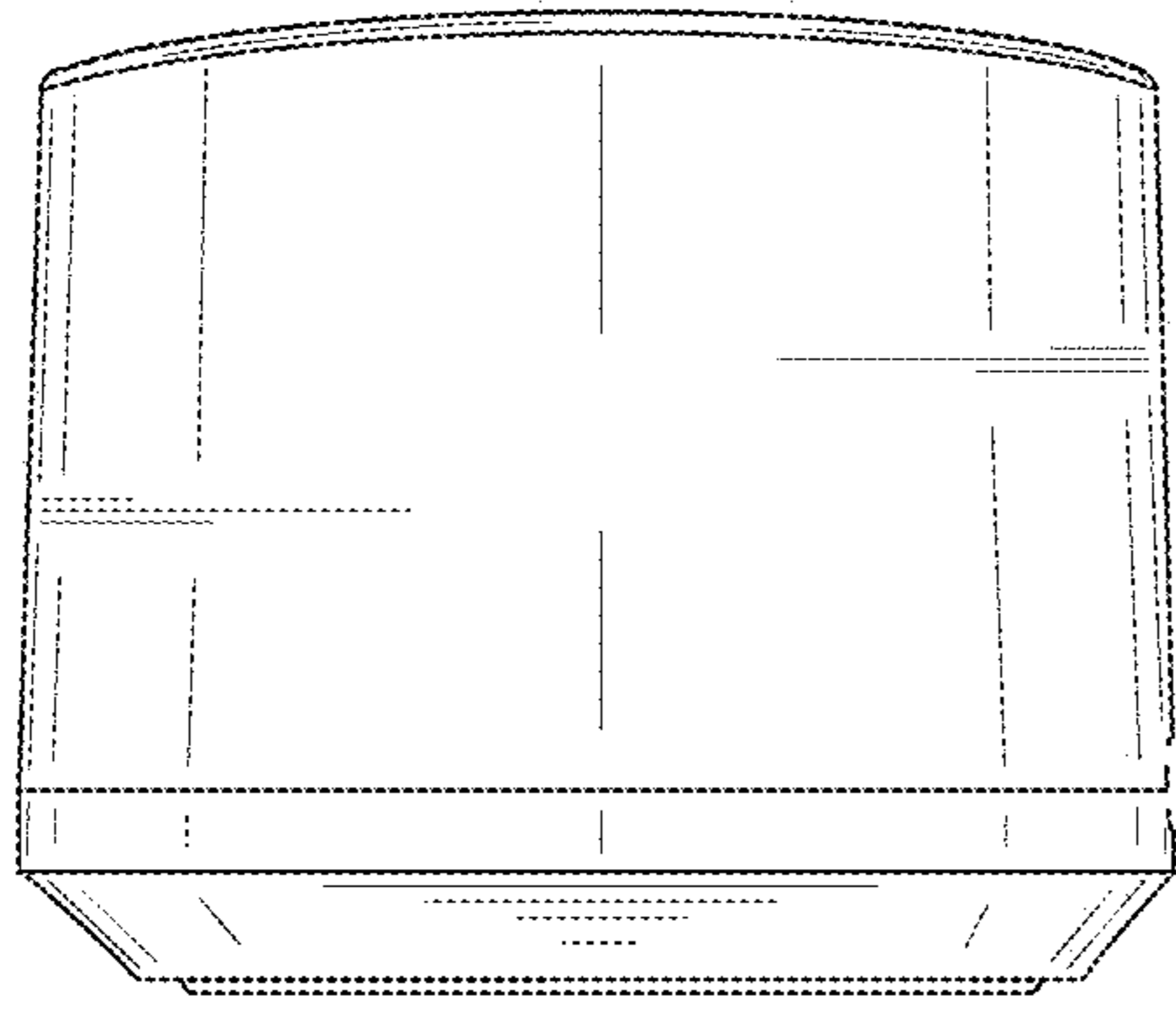


FIG. 4

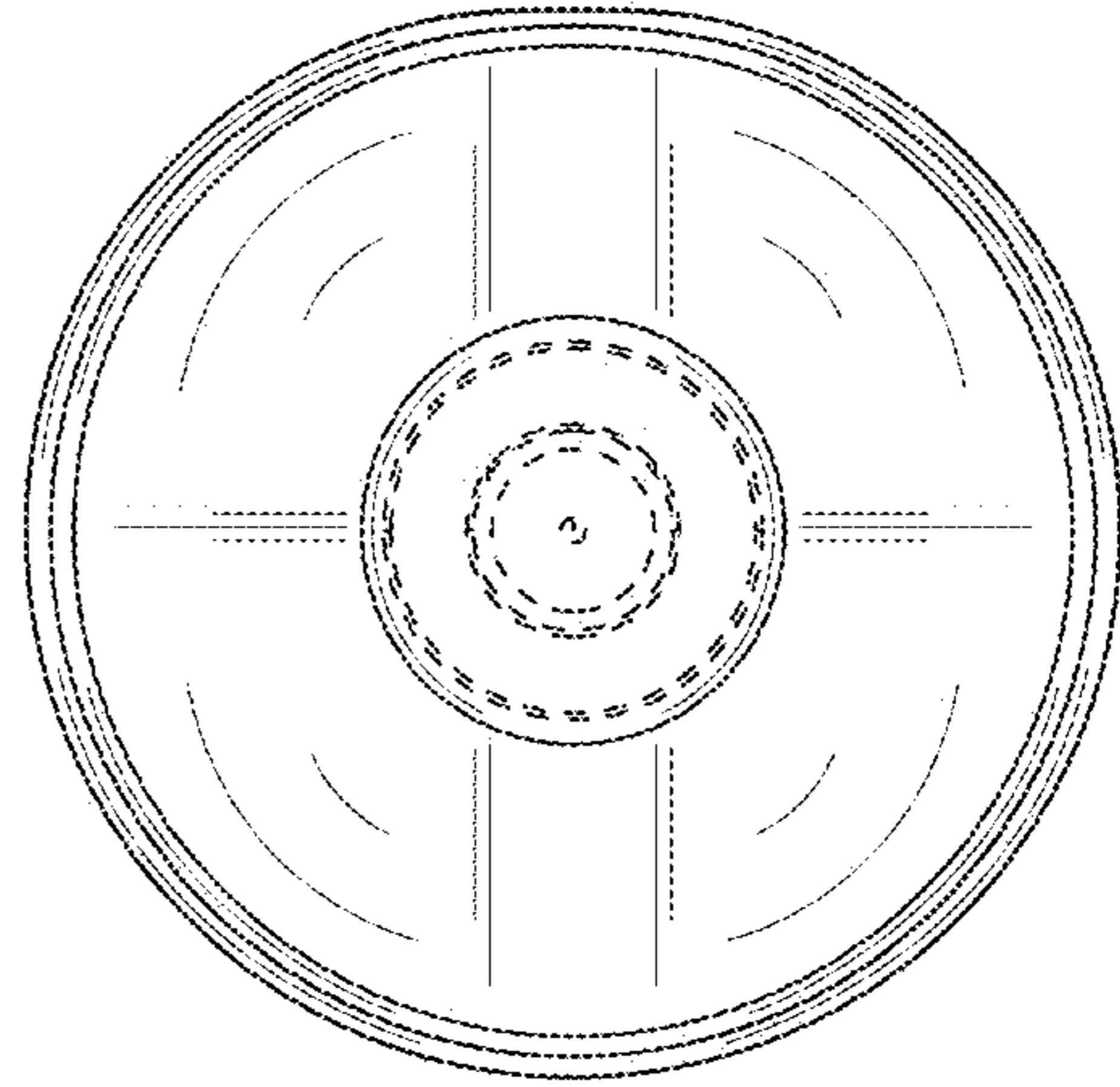


FIG. 5

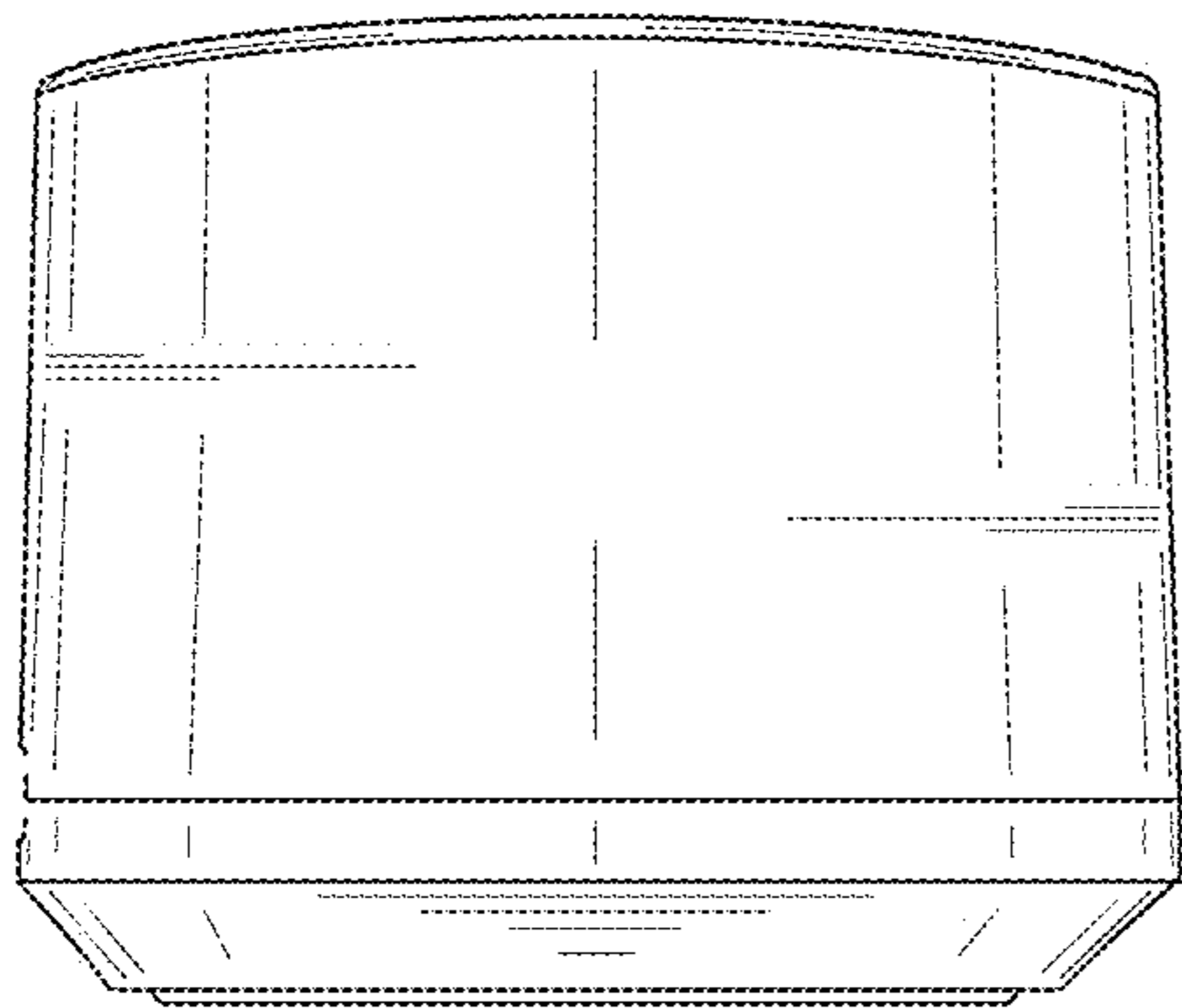


FIG. 6

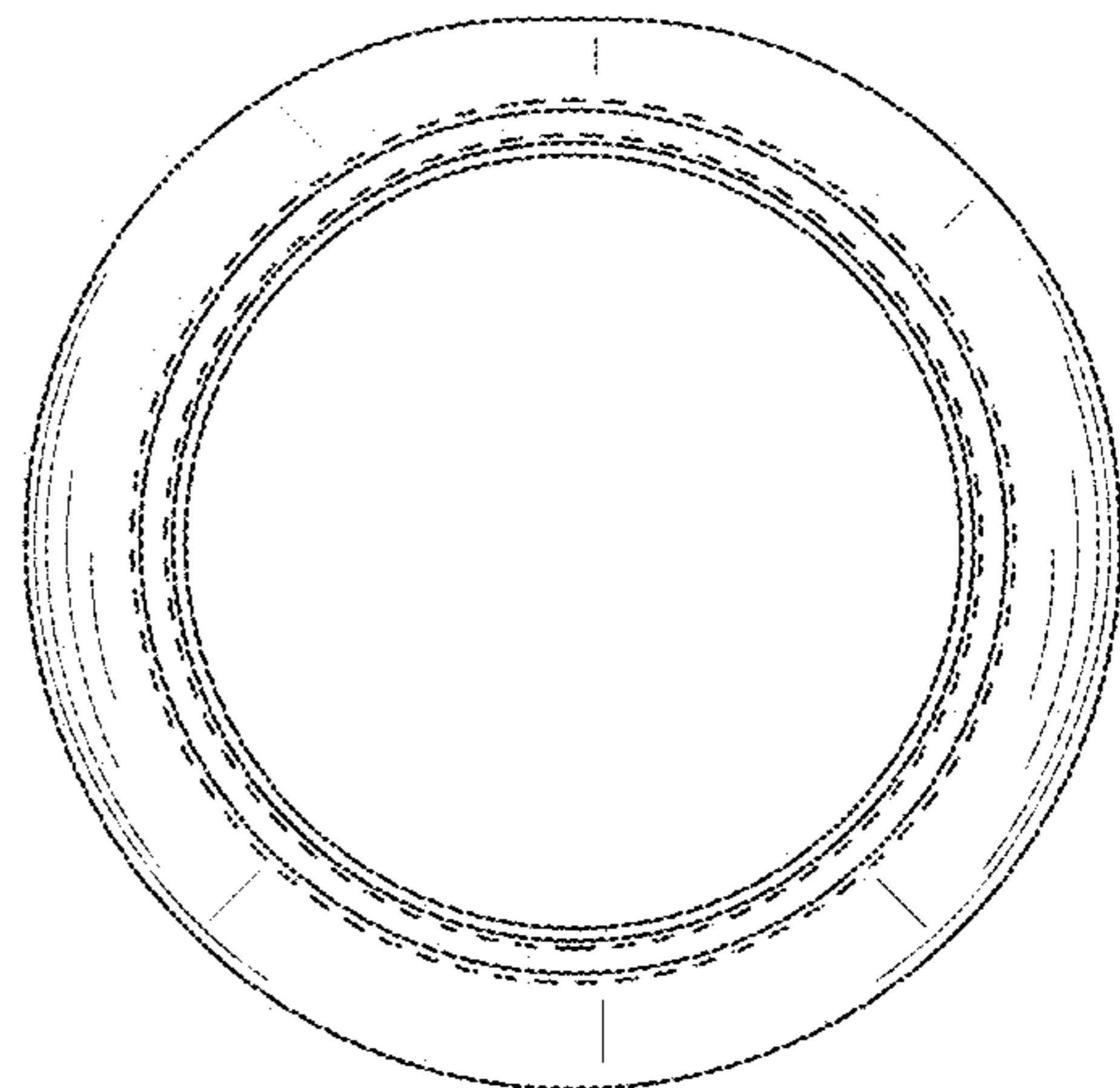


FIG. 7

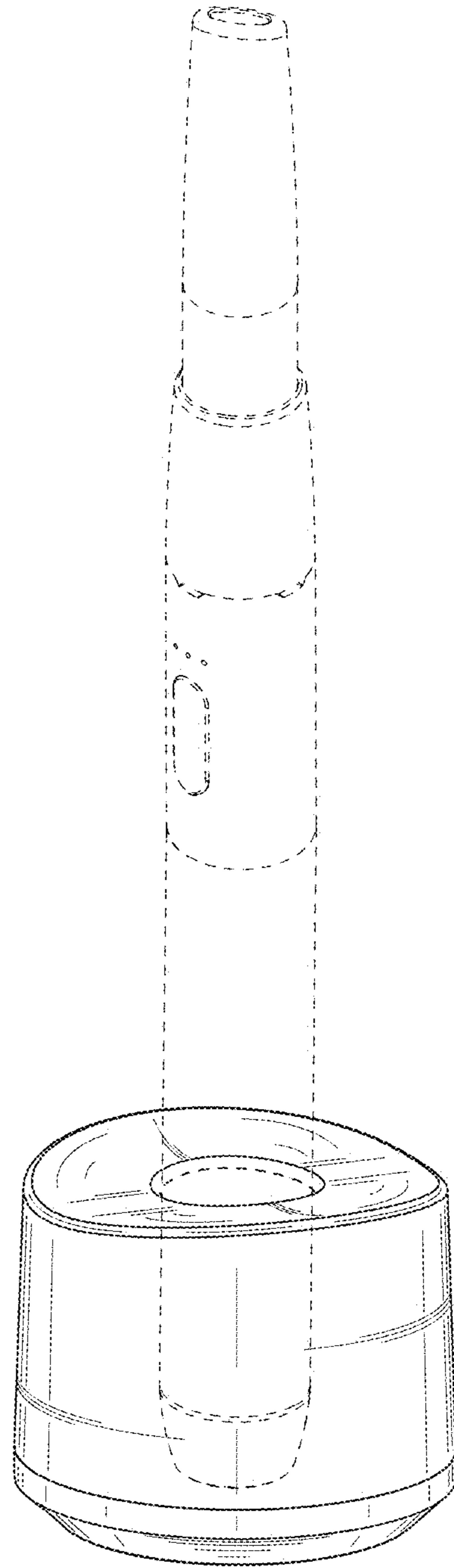


FIG. 8

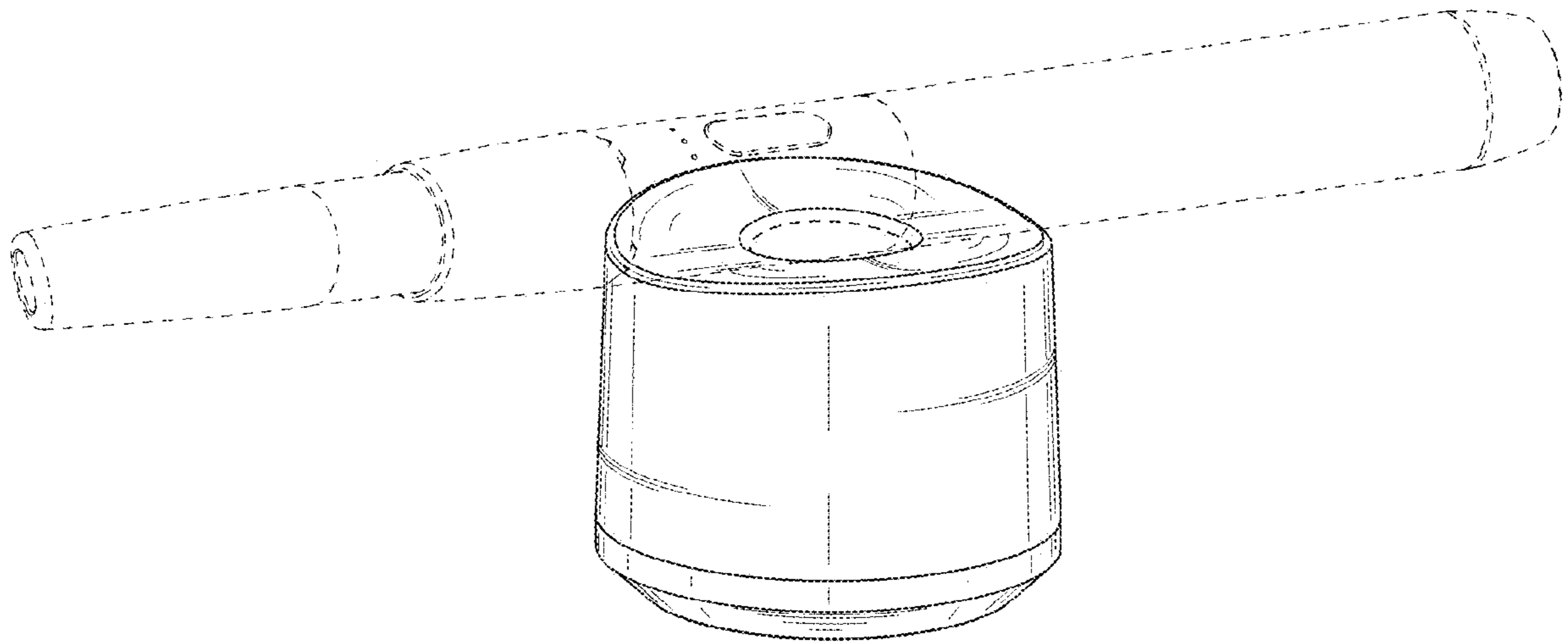


FIG. 9