



US00D916654S

(12) **United States Design Patent**
Ebisawa et al.

(10) **Patent No.:** **US D916,654 S**
(45) **Date of Patent:** **** Apr. 20, 2021**

(54) **BATTERY MODULE**

(71) Applicant: **Kabushiki Kaisha Toshiba**, Tokyo (JP)

(72) Inventors: **Masafumi Ebisawa**, Tokyo (JP); **Kenji Yazawa**, Tokyo (JP); **Kenji Shigehisa**, Tokyo (JP); **Makoto Nagasato**, Tokyo (JP); **Ryousuke Kasaya**, Sagamihara (JP)

(73) Assignee: **Kabushiki Kaisha Toshiba**, Tokyo (JP)

(**) Term: **15 Years**

(21) Appl. No.: **29/725,250**

(22) Filed: **Feb. 24, 2020**

Related U.S. Application Data

(62) Division of application No. 29/616,755, filed on Sep. 8, 2017, now Pat. No. Des. 884,598.

(30) **Foreign Application Priority Data**

Mar. 10, 2017 (JP) 2017-004909
Mar. 10, 2017 (JP) 2017-004910

(51) **LOC (13) Cl.** **13-02**

(52) **U.S. Cl.**
USPC **D13/103**

(58) **Field of Classification Search**
USPC D13/102–106, 110, 118–119, 184
CPC Y02E 60/12; Y02E 60/122; Y02E 60/124;
Y02E 60/50; H01M 2/02; H01M 2/022;
H01M 2/0202; H01M 2/0207; H01M
2/0212; H01M 2/1061; H01M 2/1022;
H01M 2/1055; H01M 2/1066; H01M
2/105;

(Continued)

(56) **References Cited**

U.S. PATENT DOCUMENTS

D303,652 S 9/1989 Lopez-Doriga Lopez-Doriga
D355,887 S 2/1995 Rodeffer et al.

(Continued)

FOREIGN PATENT DOCUMENTS

CN 303197617 5/2015
CN 303870340 9/2016

(Continued)

OTHER PUBLICATIONS

Jun. 6, 2019—U.S. Non-Final Office Action—U.S. Appl. No. 29/616,755.

(Continued)

Primary Examiner — Nathaniel D. Buckner

(74) *Attorney, Agent, or Firm* — Banner & Witcoff, Ltd.

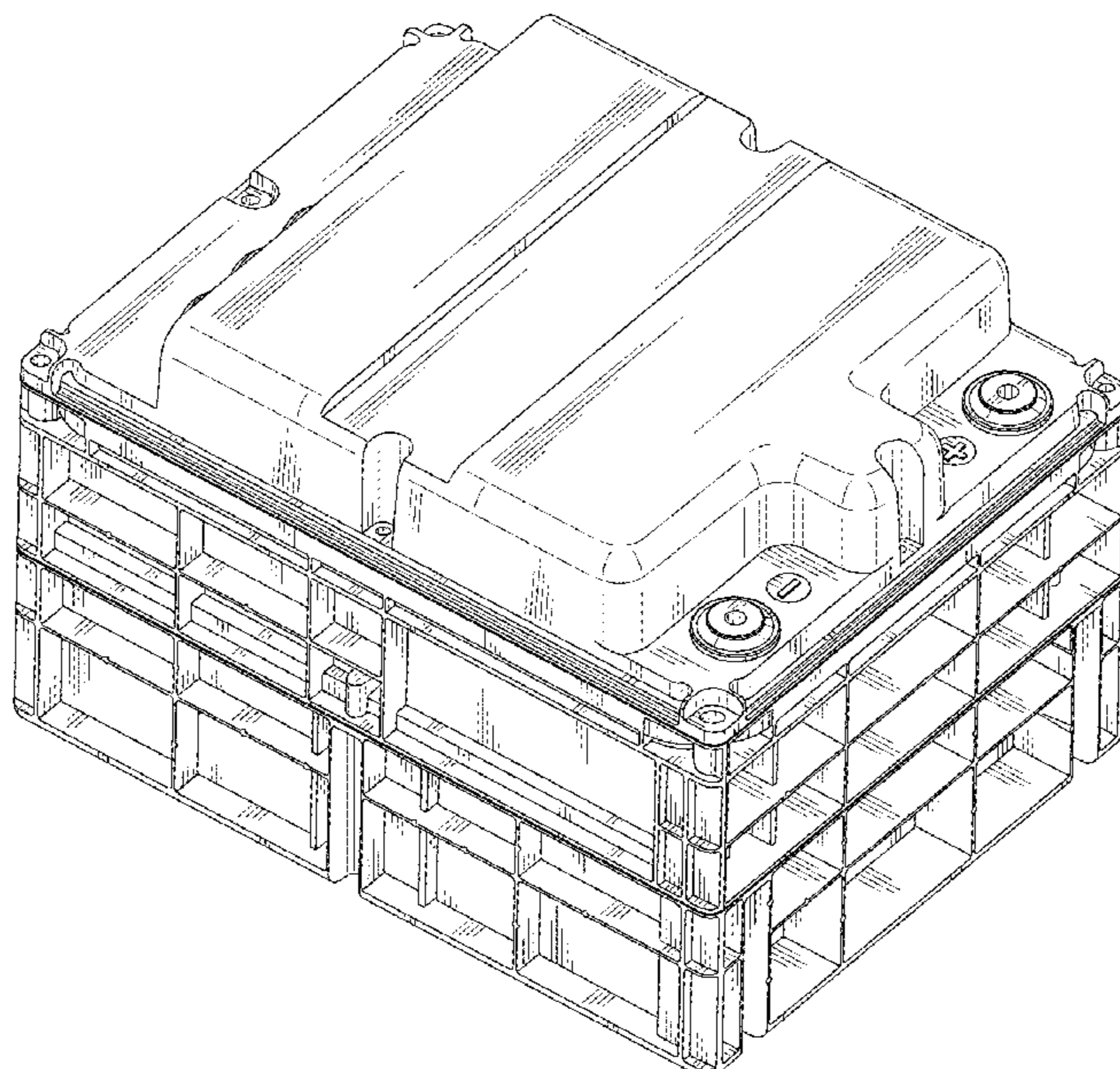
(57) **CLAIM**

The ornamental design for a battery module, as shown and described.

DESCRIPTION

FIG. 1 is a front, top and left side perspective view of a battery module, showing our new design;
FIG. 2 is a rear, top and left side perspective view thereof;
FIG. 3 is a rear, top and right side perspective view thereof;
FIG. 4 is a front view thereof;
FIG. 5 is a rear view thereof;
FIG. 6 is a top view thereof;
FIG. 7 is a bottom view thereof;
FIG. 8 is a right side view thereof; and,
FIG. 9 is a left side view thereof.
The broken lines in the figures depict portions of the battery module which form no part of the claimed design.

1 Claim, 8 Drawing Sheets



(58) **Field of Classification Search**
 CPC H01M 2/204; H01M 2/1016; H01M
 2200/00; H01M 10/4257; H01M 10/0436;
 H01M 10/48; H01M 10/42
 See application file for complete search history.

(56) **References Cited**

U.S. PATENT DOCUMENTS

D413,859	S	*	9/1999	Ido	D13/103
D458,900	S		6/2002	Carter et al.		
D562,765	S		2/2008	Tsuzuki et al.		
D570,281	S		6/2008	Blogg et al.		
D584,684	S		1/2009	Aglassinger		
D589,443	S		3/2009	Aglassinger		
D604,696	S		11/2009	Tasai		
D623,127	S	*	9/2010	Seyama	D13/104
D633,862	S	*	3/2011	Qualls	D13/104
D633,863	S	*	3/2011	Qualls	D13/106
D633,865	S	*	3/2011	Qualls	D13/106
D660,226	S	*	5/2012	Elison	D13/104
D695,682	S	*	12/2013	Nam	D13/104
8,922,157	B2		12/2014	Simonazzi		
9,153,806	B2		10/2015	Yoshioka et al.		
D760,160	S		6/2016	DeKeuster et al.		
D772,816	S		11/2016	DeKeuster		
9,647,256	B2		5/2017	Abe et al.		
D795,181	S		8/2017	Hahn		

D810,682	S		2/2018	Dai		
9,941,086	B2		4/2018	Onoda et al.		
D817,870	S		5/2018	Yamamoto		
D822,595	S	*	7/2018	Hoshino	D13/104
D830,965	S		10/2018	Varatharajah et al.		
10,181,620	B2		1/2019	Yoshioka et al.		
10,218,027	B2		2/2019	Gohl et al.		
D870,033	S	*	12/2019	Varatharajah	D13/103
D879,032	S	*	3/2020	Yang	D13/103
D879,033	S	*	3/2020	Yoon	D13/103
D884,598	S	*	5/2020	Ebisawa	D13/103
D887,968	S	*	6/2020	Ebisawa	D13/103
2011/0076521	A1		3/2011	Shimizu et al.		
2011/0293973	A1		12/2011	Kim		
2015/0111083	A1		4/2015	Kim et al.		

FOREIGN PATENT DOCUMENTS

JP	D1004510	3/1998
JP	D1341998	10/2008
JP	D1477219	8/2013
KR	30-0757519	8/2014

OTHER PUBLICATIONS

Nov. 15, 2019—U.S. Notice of Allowance—U.S. Appl. No. 29/616,755.

* cited by examiner

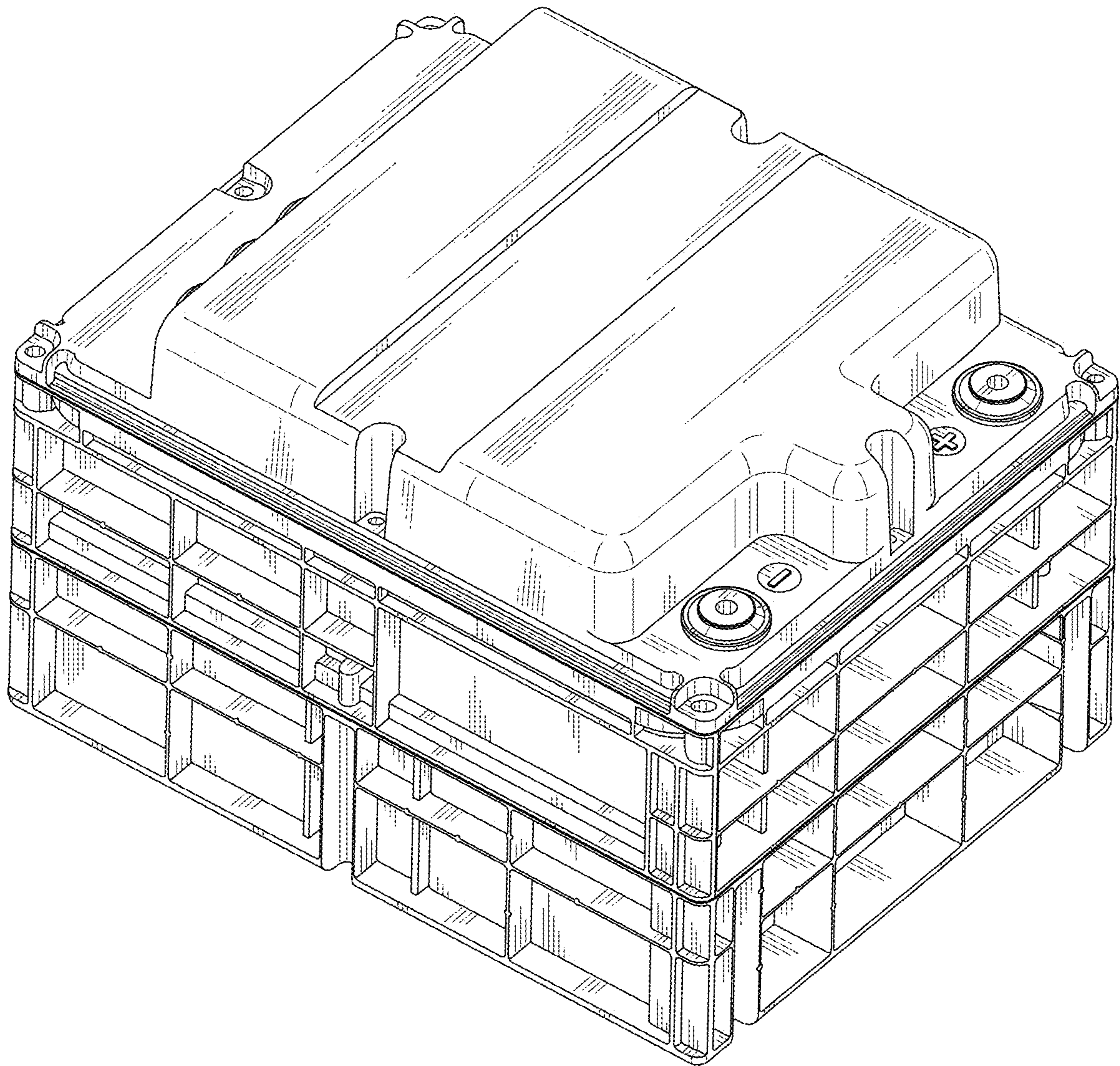


Fig. 1

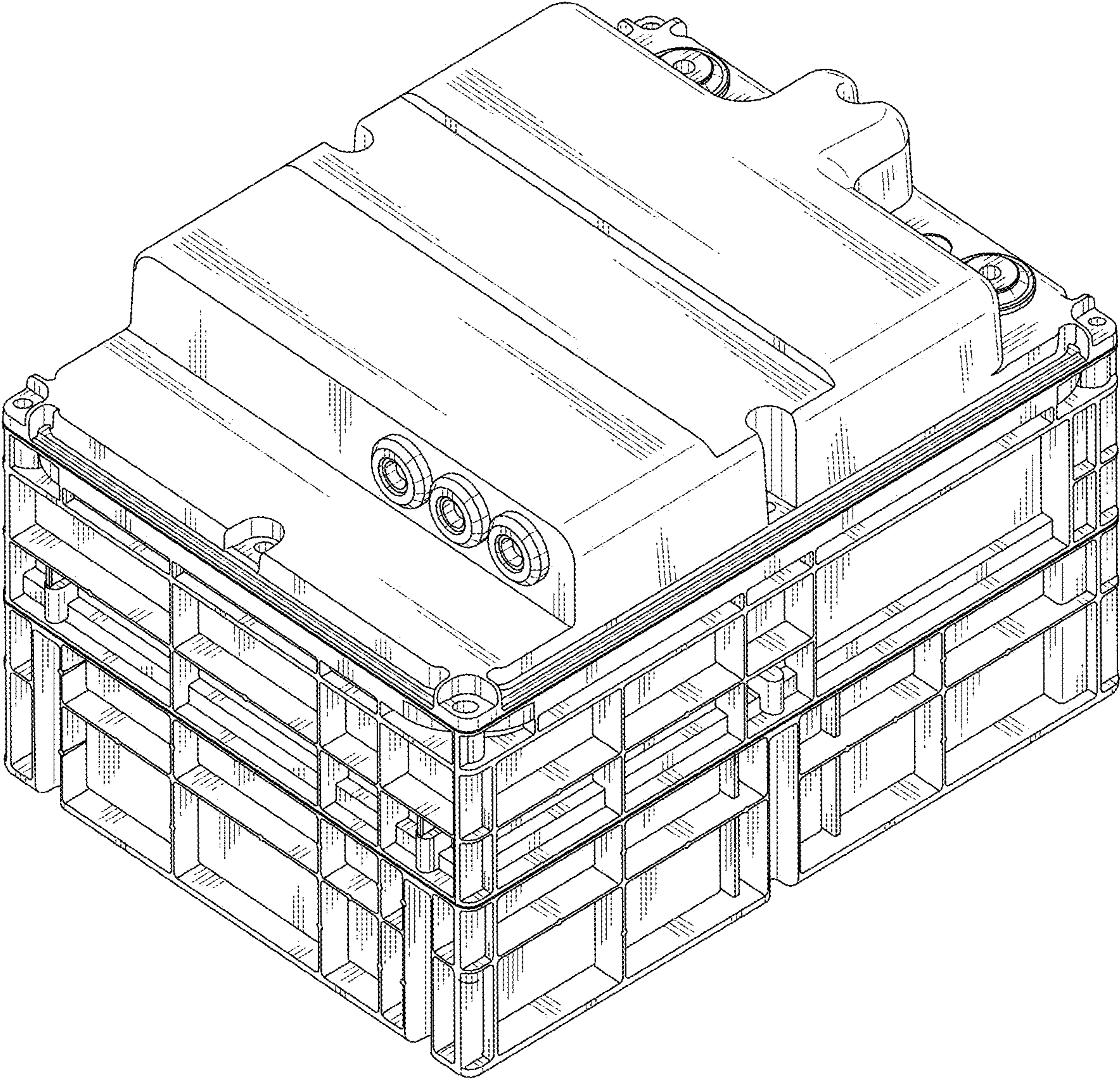


Fig. 2

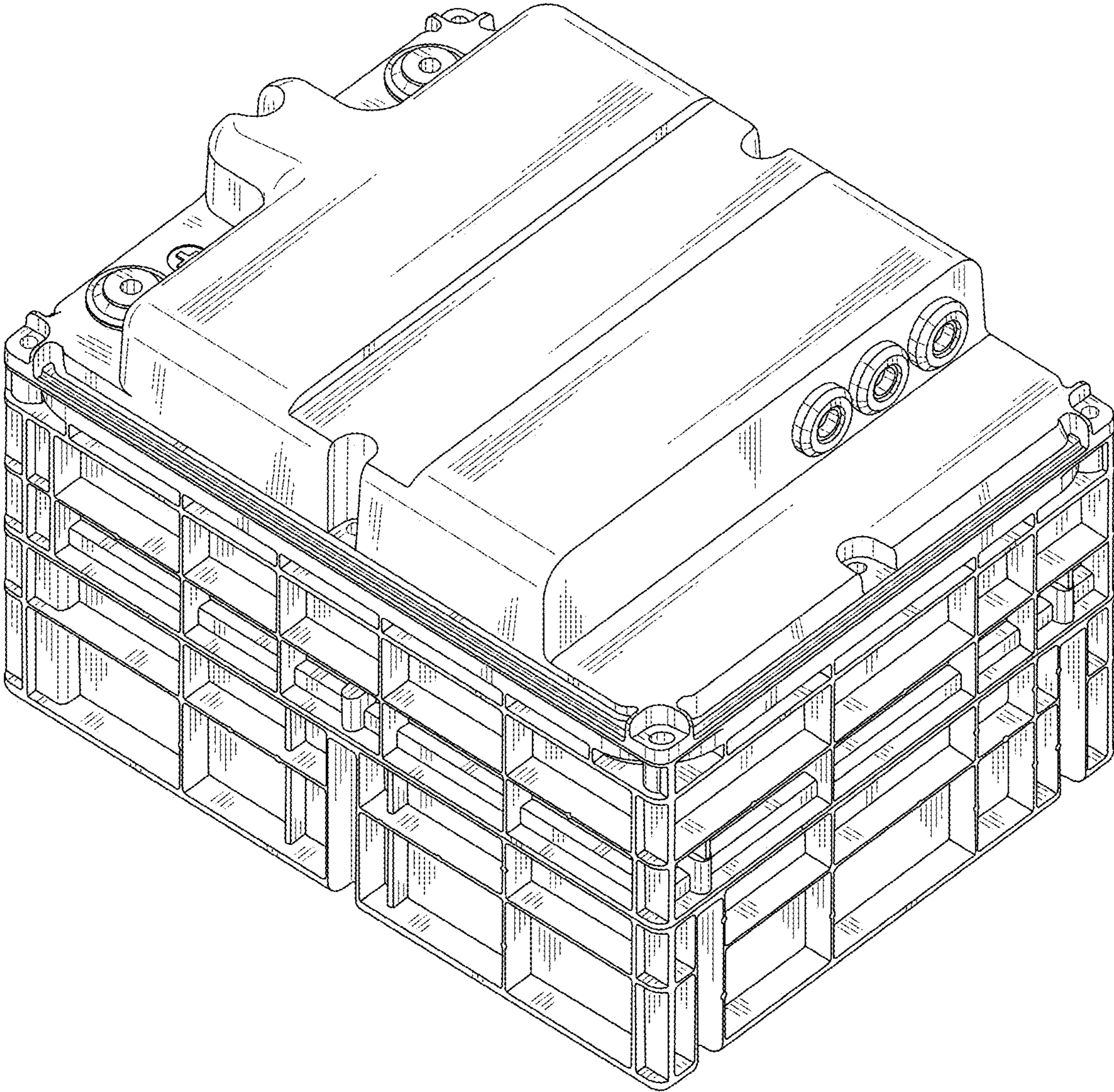


Fig. 3

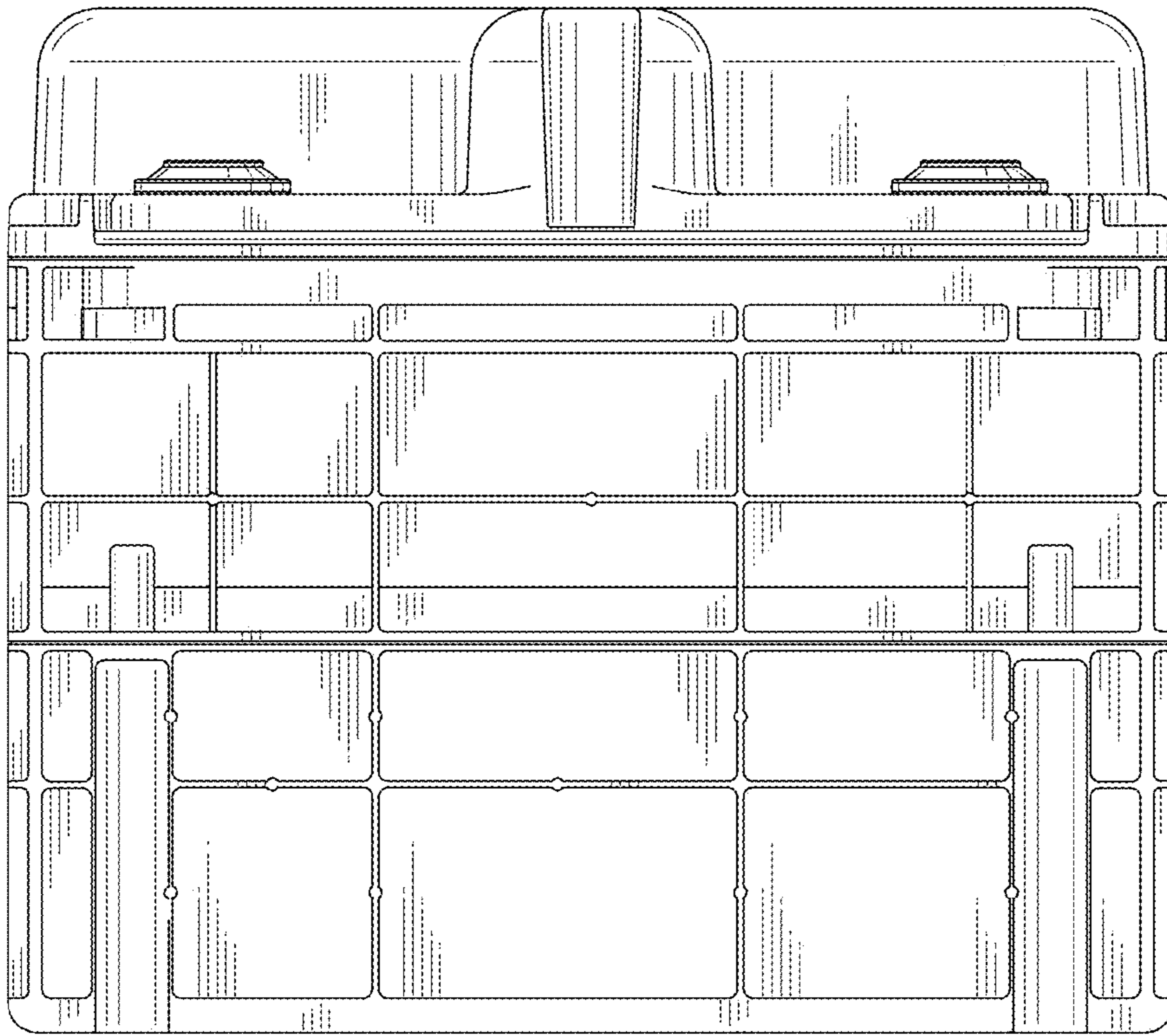


Fig. 4

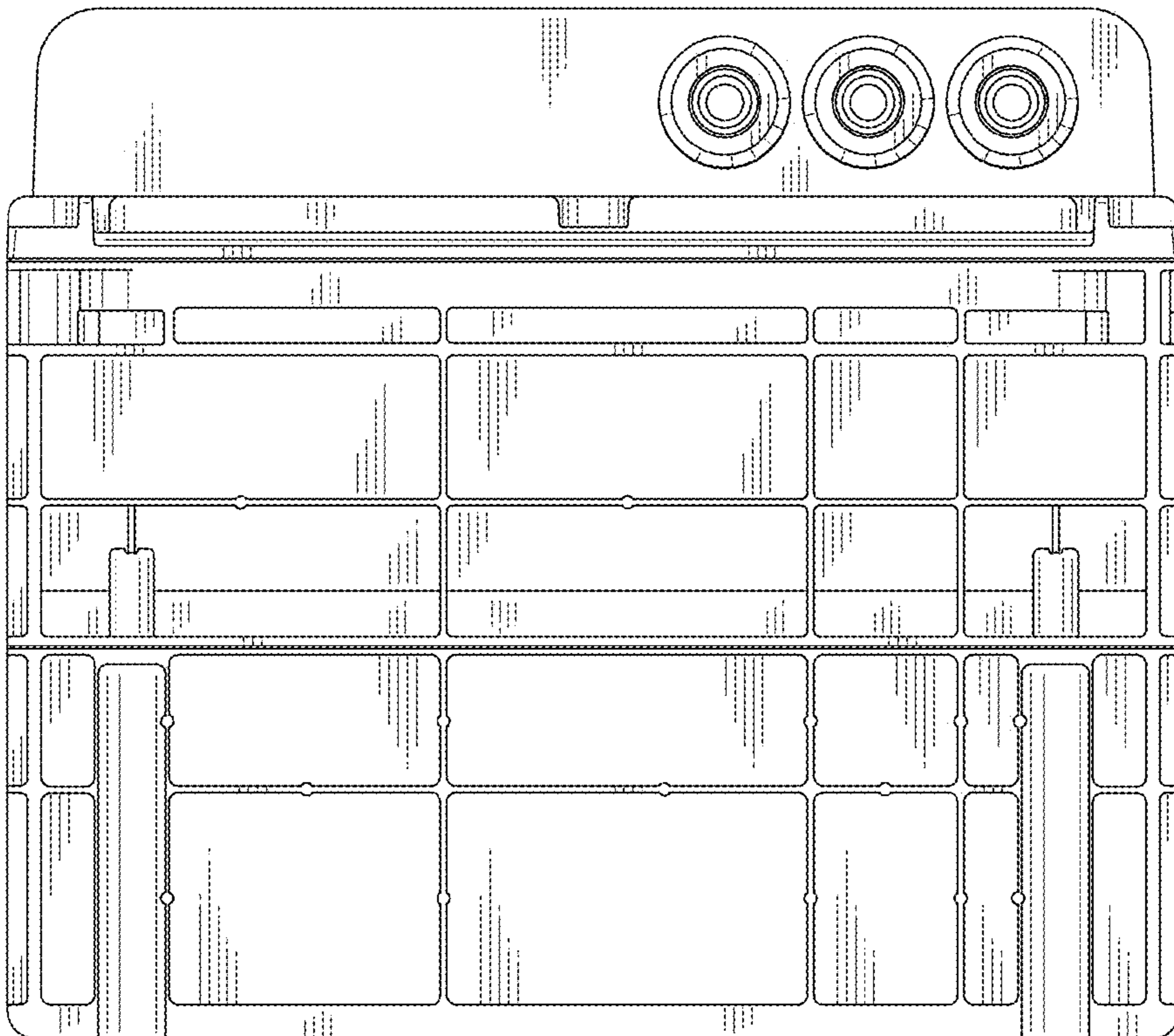


Fig. 5

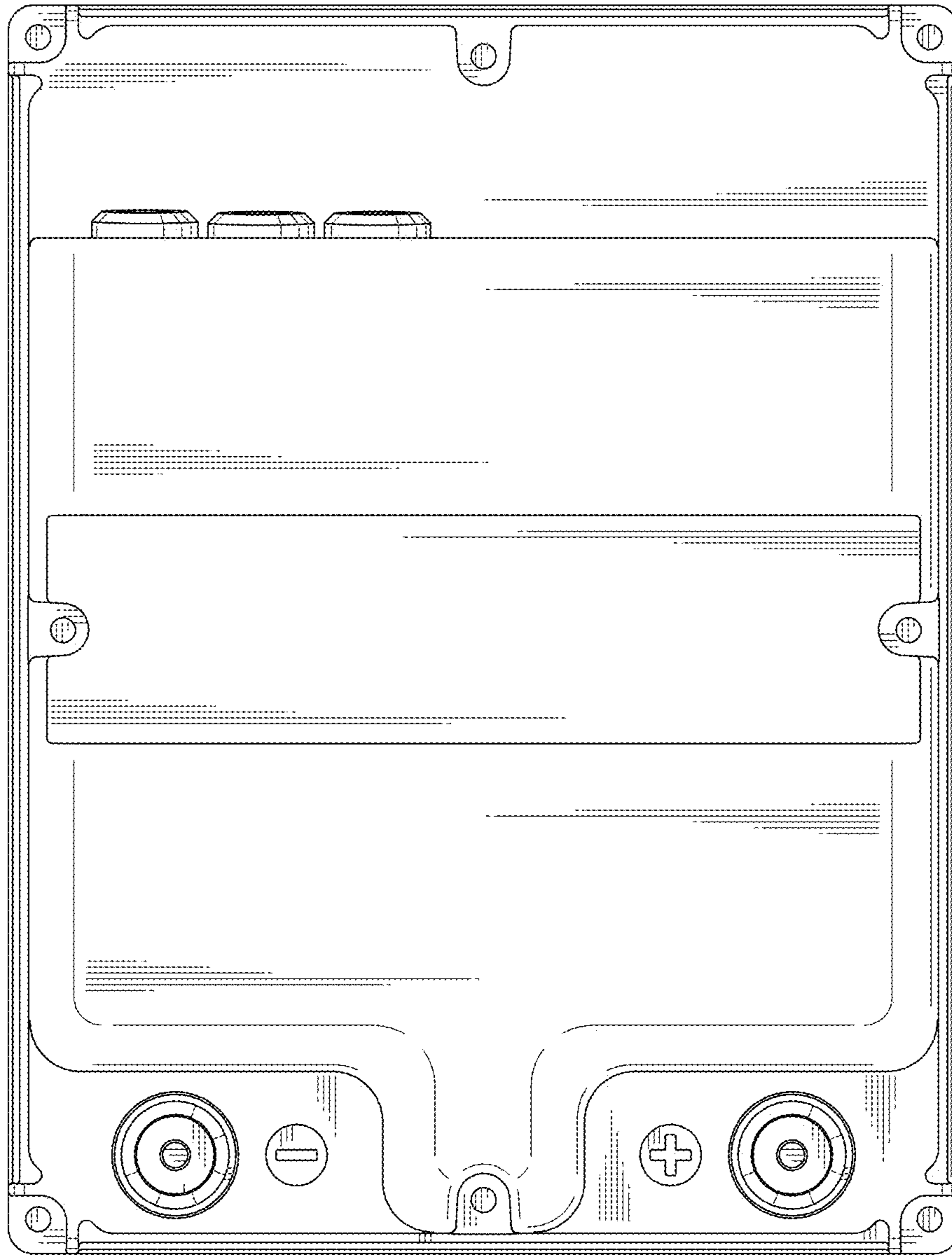


Fig. 6

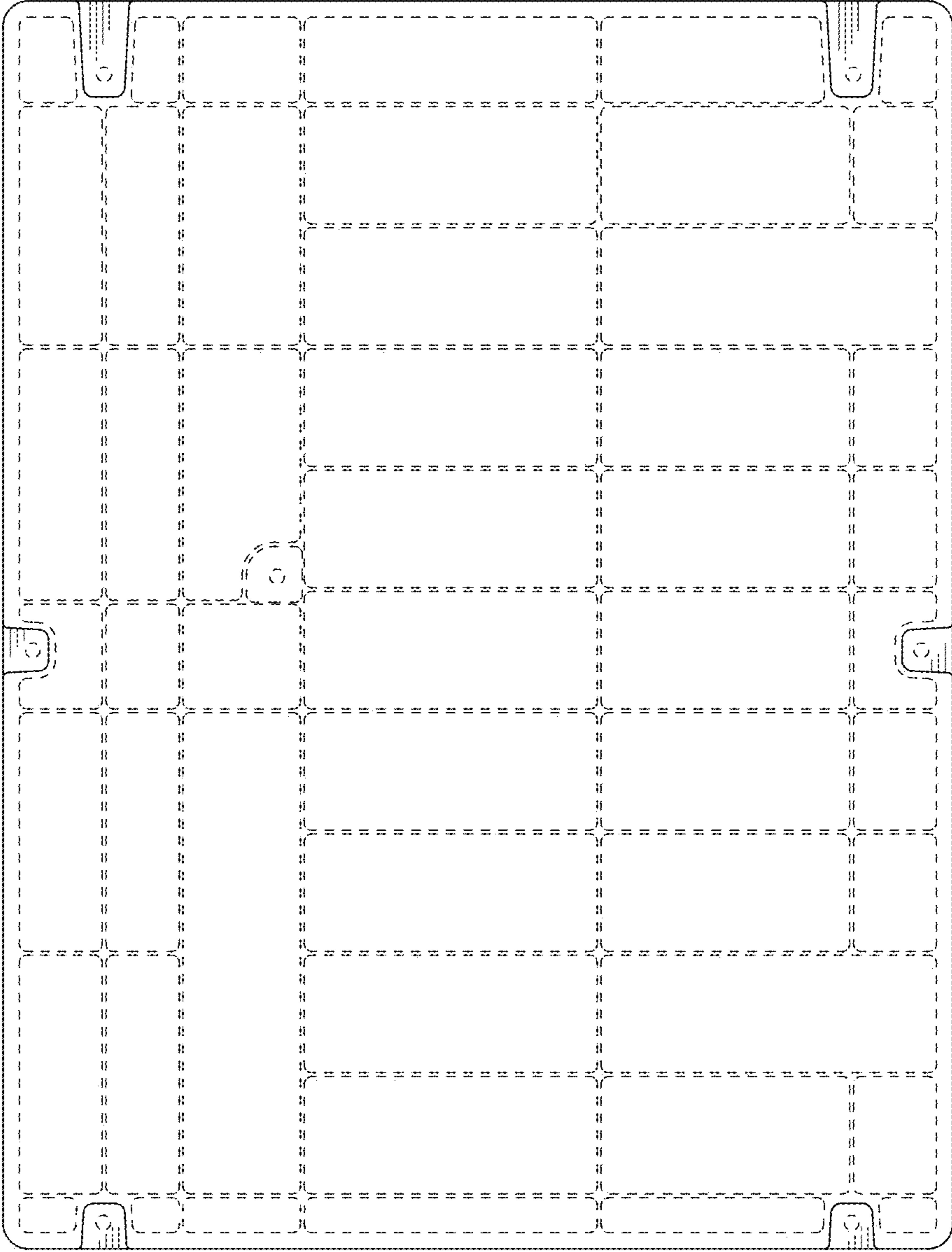


Fig. 7

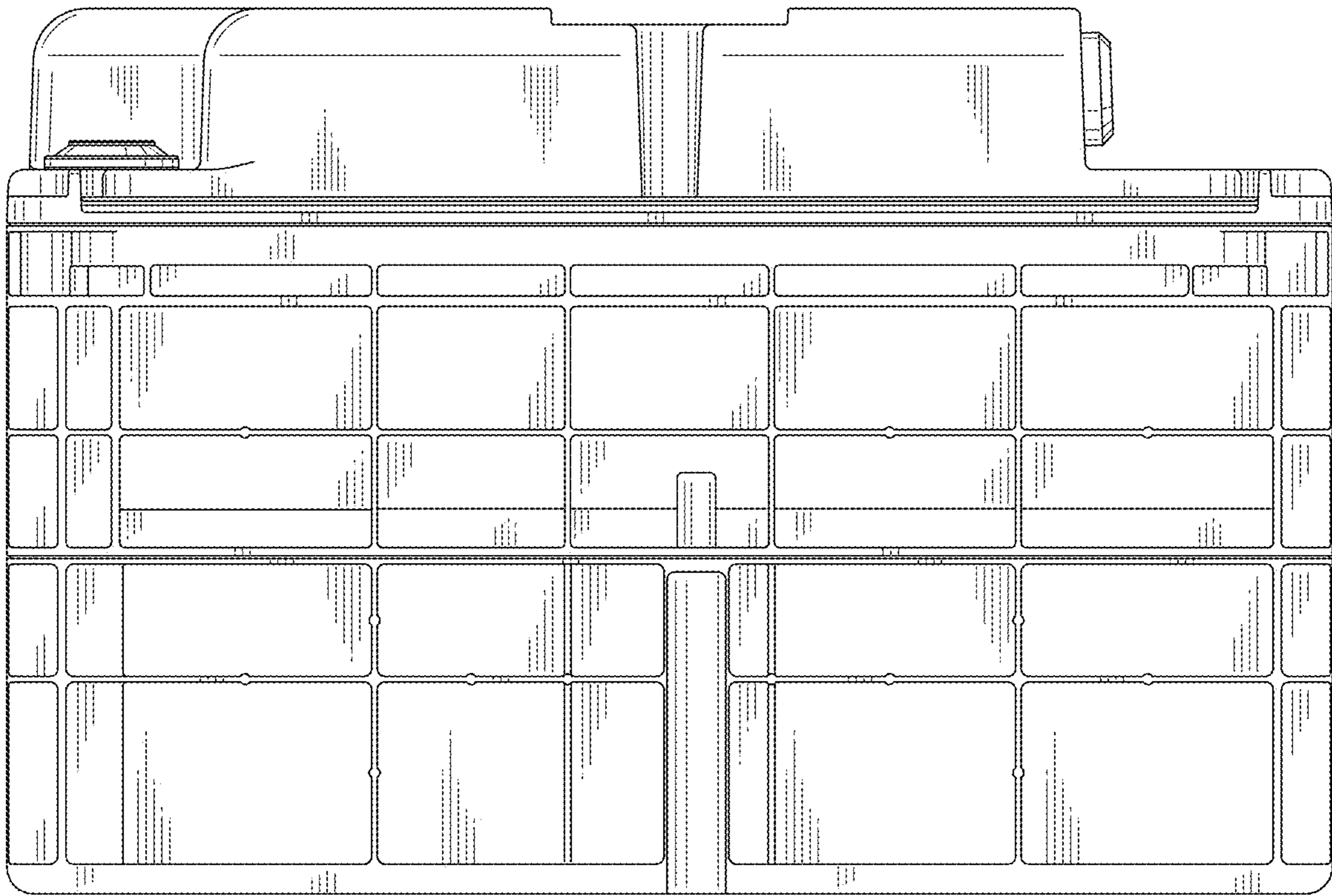


Fig. 8

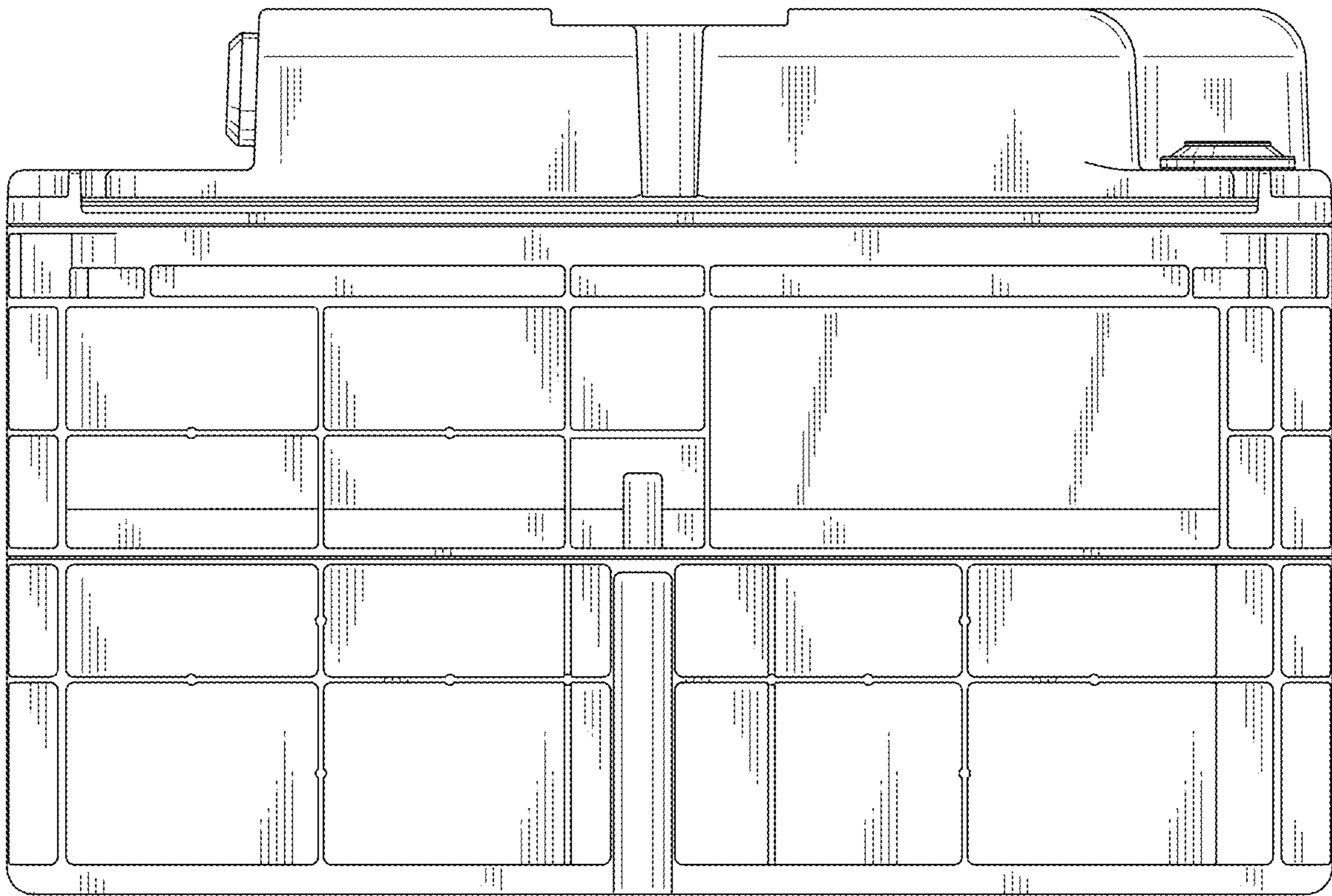


Fig. 9