



US00D916653S

(12) **United States Design Patent**
Genoa

(10) **Patent No.:** **US D916,653 S**

(45) **Date of Patent:** **** Apr. 20, 2021**

(54) **POWER BOX FOR A BACKPACK VACUUM**

(71) Applicant: **Scott Genoa**, Merrick, NY (US)

(72) Inventor: **Scott Genoa**, Merrick, NY (US)

(**) Term: **15 Years**

(21) Appl. No.: **29/659,724**

(22) Filed: **Aug. 10, 2018**

(51) **LOC (13) Cl.** **13-02**

(52) **U.S. Cl.**
USPC **D13/103**

(58) **Field of Classification Search**

USPC D13/102–110, 118–119, 184, 199, 154,
D13/147, 133, 153, 146; D14/251, 253,
D14/356, 432
CPC Y02E 60/12; Y02T 90/14; Y02T 90/122;
Y02T 90/128; Y02T 90/163; H02J 7/025;
H02J 7/0042; H02J 7/0044; H02J 7/0045;
H02J 7/0003; H01F 38/14; H01R
13/6675; H01R 13/639; H01M 2/1022;
H01M 2/1055; H01M 10/44; H01M
10/46; H01M 10/425; B60L 11/182
See application file for complete search history.

(56) **References Cited**

U.S. PATENT DOCUMENTS

D284,758 S * 7/1986 Maloney D13/137.3
D397,086 S * 8/1998 Lin D13/137.2

D432,989 S * 10/2000 Rossman D13/137.2
D444,451 S * 7/2001 Bailey D13/139.8
D467,873 S * 12/2002 Yu D13/137.2
D697,024 S * 1/2014 Lathrop D13/103
D807,827 S * 1/2018 Lu D13/137.2
D811,996 S * 3/2018 Genoa D13/103
D852,139 S * 6/2019 Wen D13/137.1
D855,018 S * 7/2019 Gan D13/103
D875,684 S * 2/2020 Eshelman D13/137.2
D879,034 S * 3/2020 Wu D13/108
2017/0062985 A1 * 3/2017 Genoa H01R 27/02

* cited by examiner

Primary Examiner — Catherine S Posthauer

Assistant Examiner — Alison M Ofstun

(74) *Attorney, Agent, or Firm* — Law Office of Gerard F. Dunne, PC

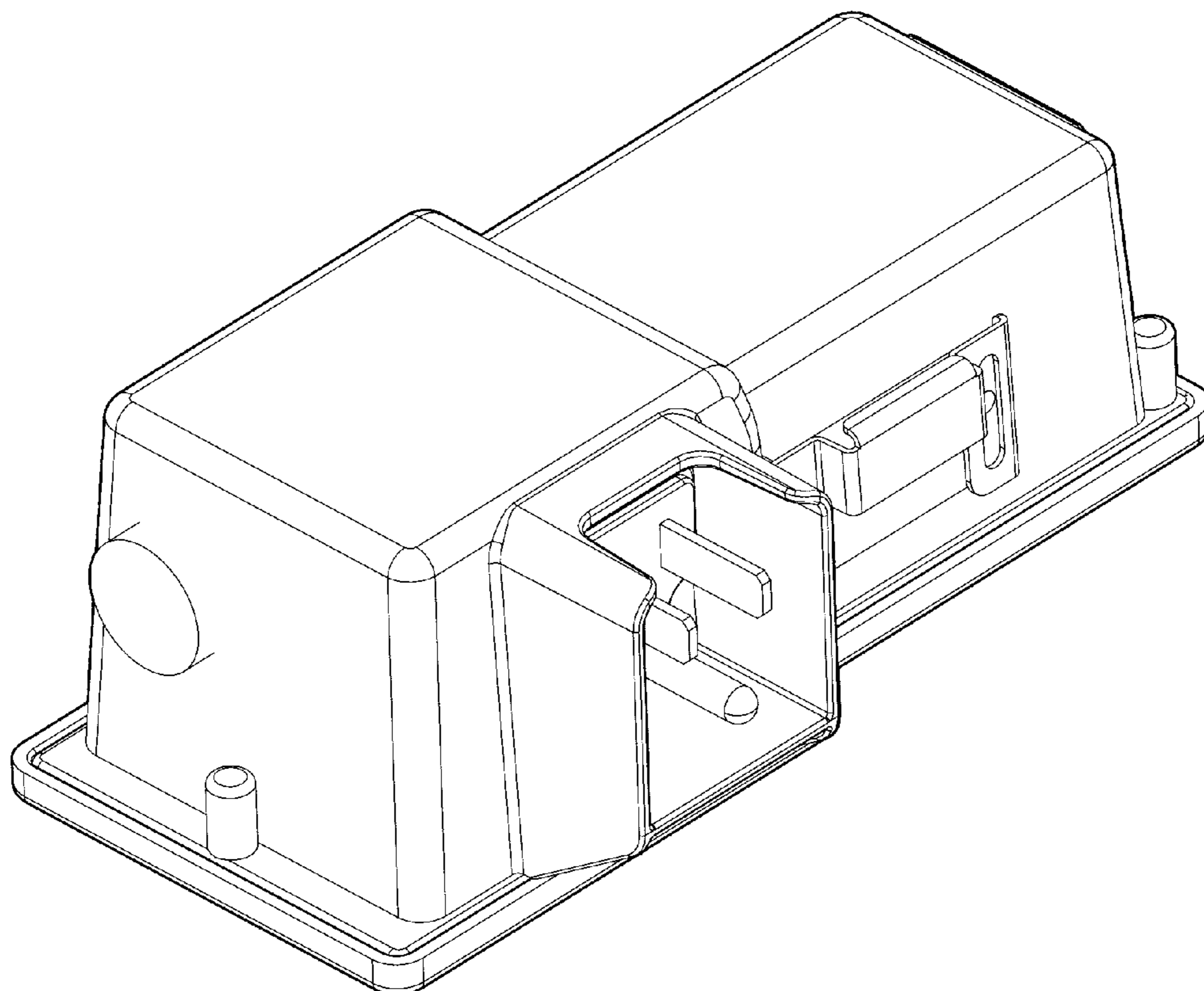
(57) **CLAIM**

The ornamental design for a power box for a backpack vacuum, as shown and described.

DESCRIPTION

FIG. 1 is a perspective view of a power box for a backpack vacuum showing my new design;
FIG. 2 is a top plan view thereof;
FIG. 3 is a bottom plan view thereof;
FIG. 4 is a front elevational view thereof;
FIG. 5 is a rear elevational view thereof;
FIG. 6 is a right side elevational view thereof; and,
FIG. 7 is a left side elevational view thereof.

1 Claim, 7 Drawing Sheets



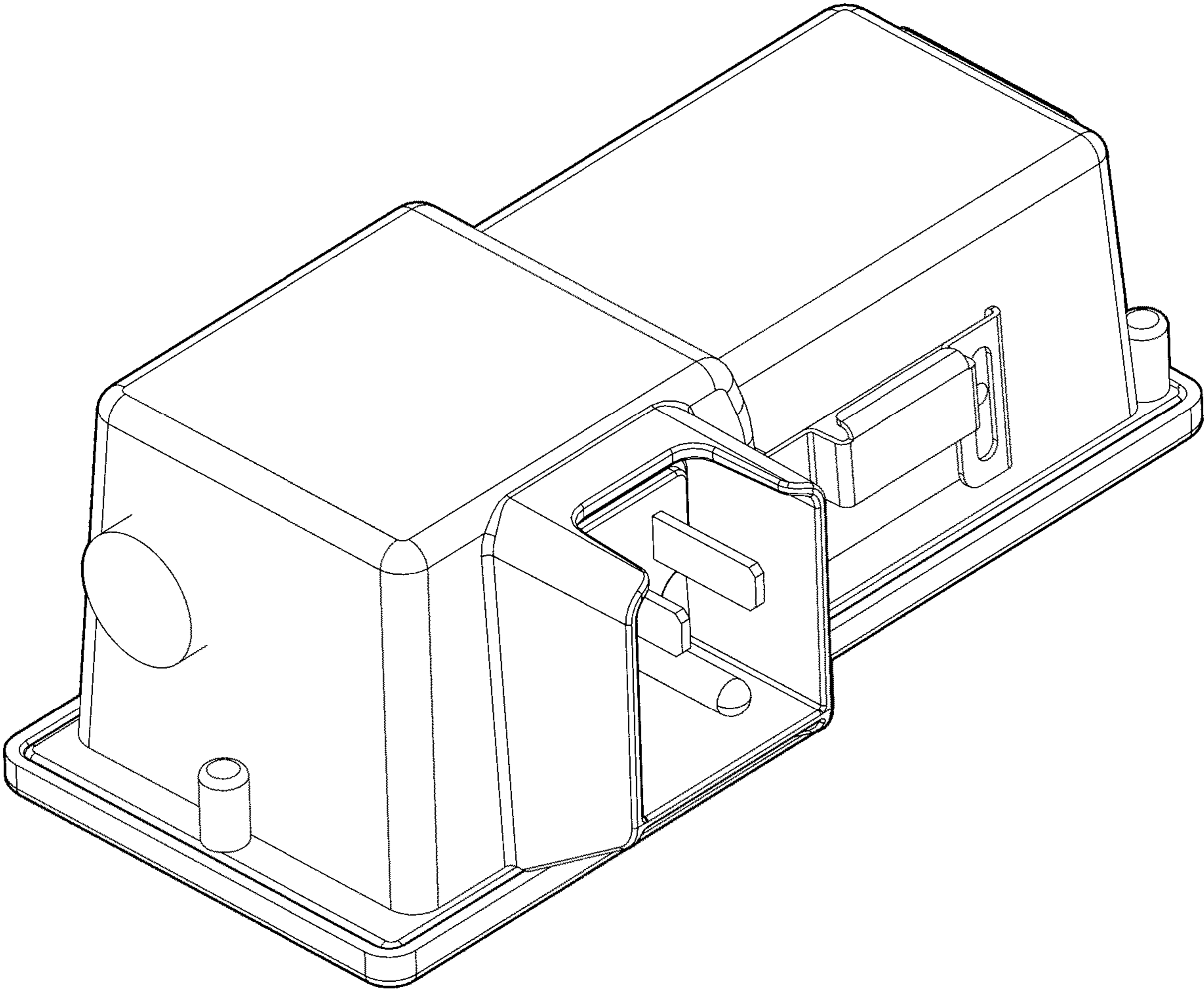


FIG. 1

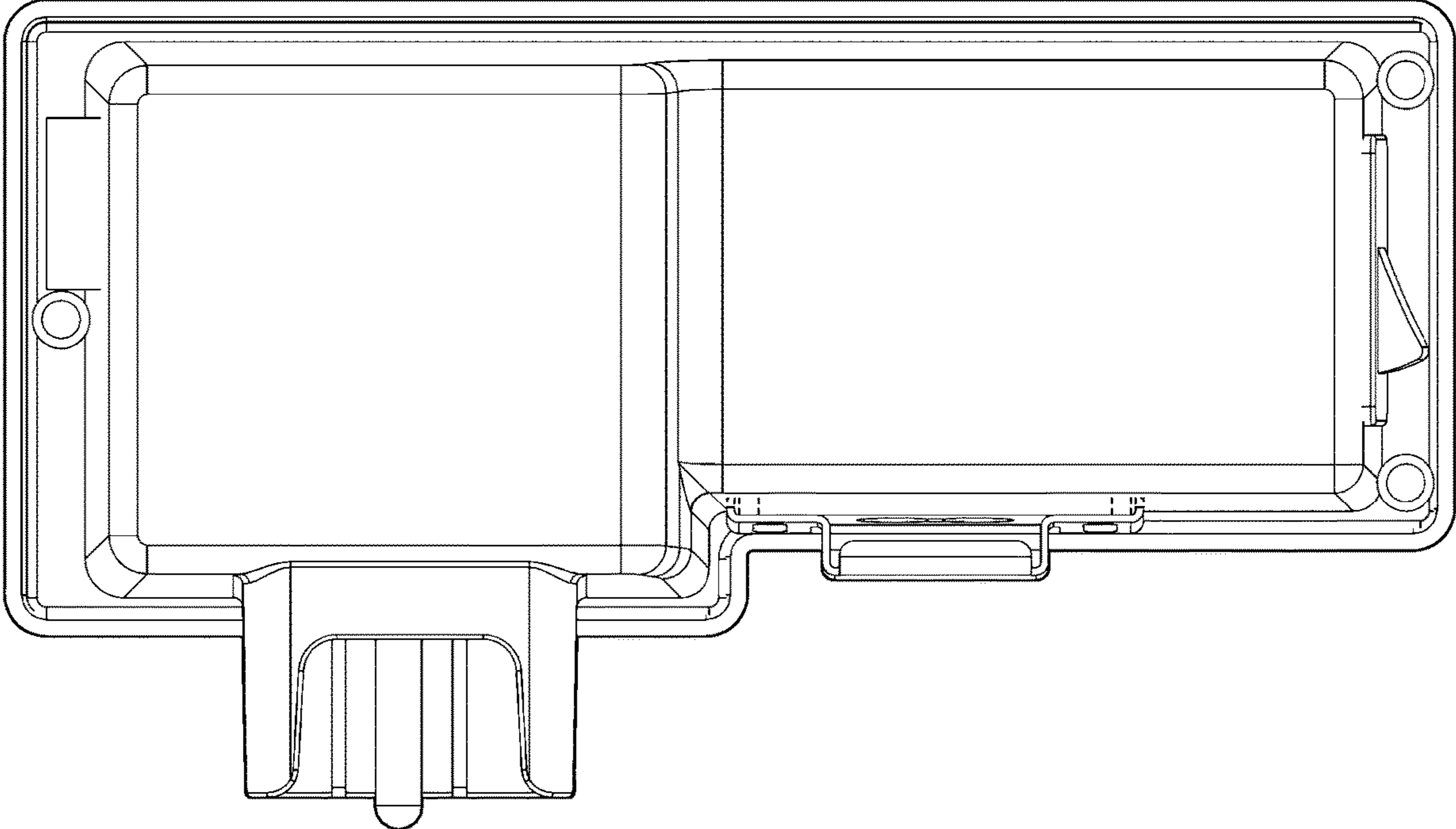


FIG. 2

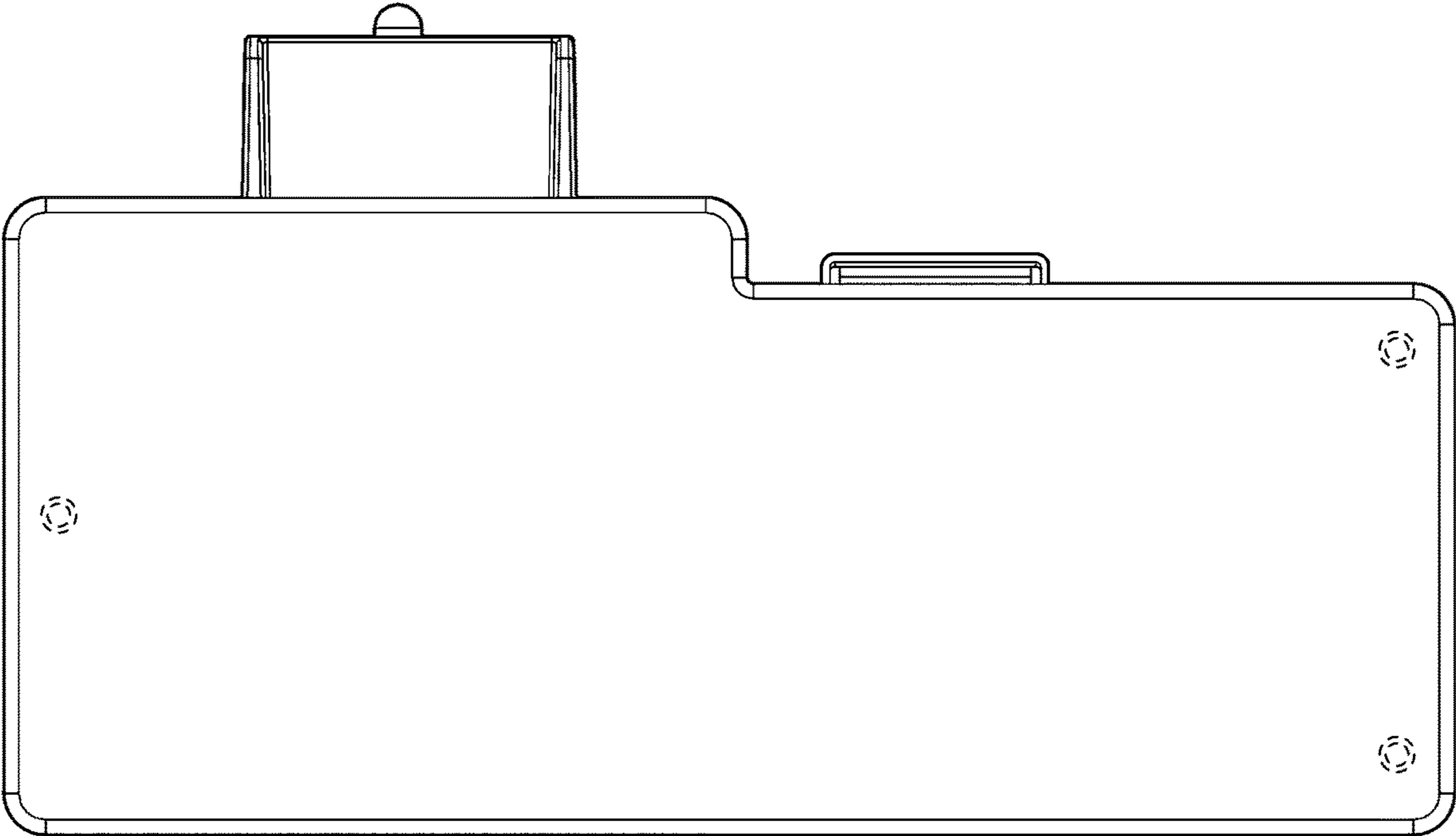


FIG.3

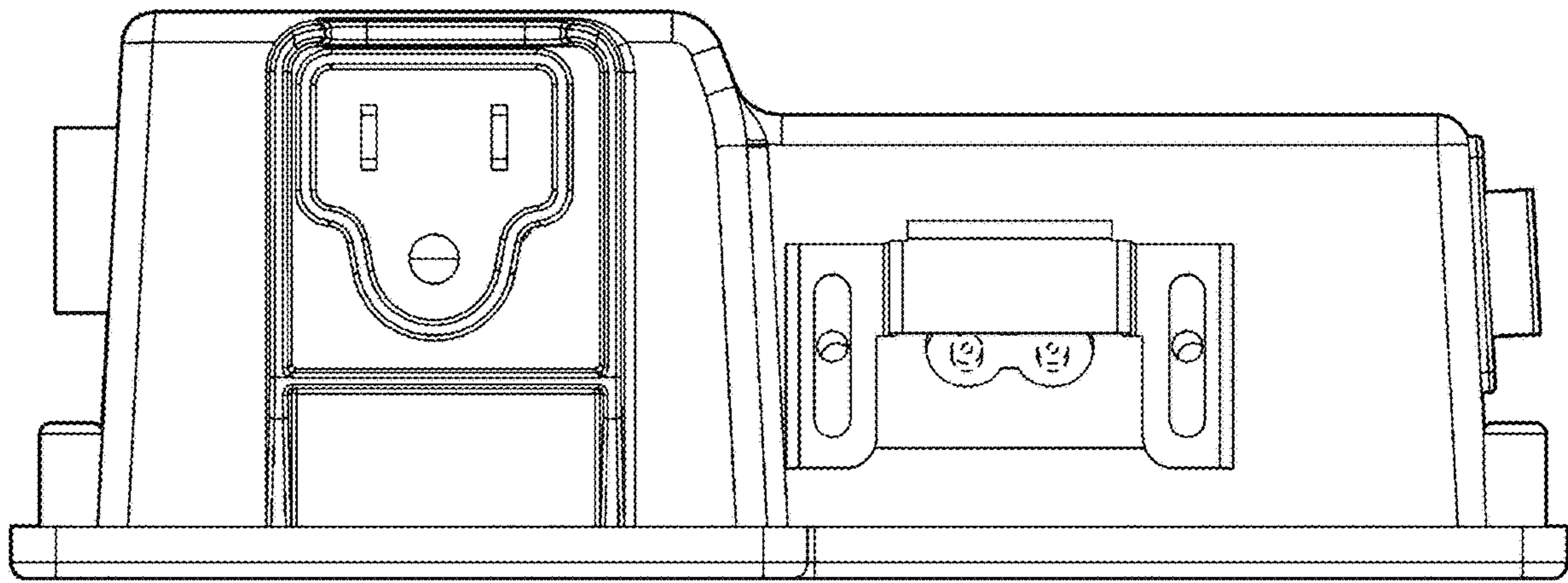


FIG.4

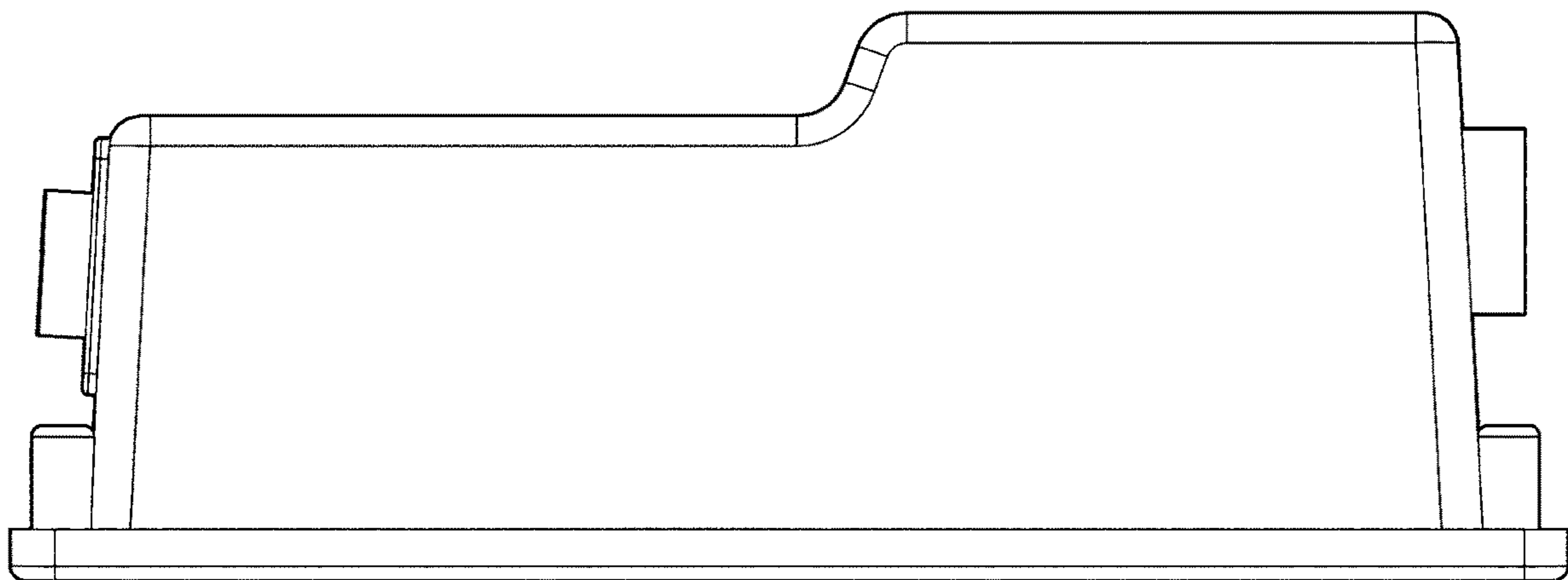


FIG. 5

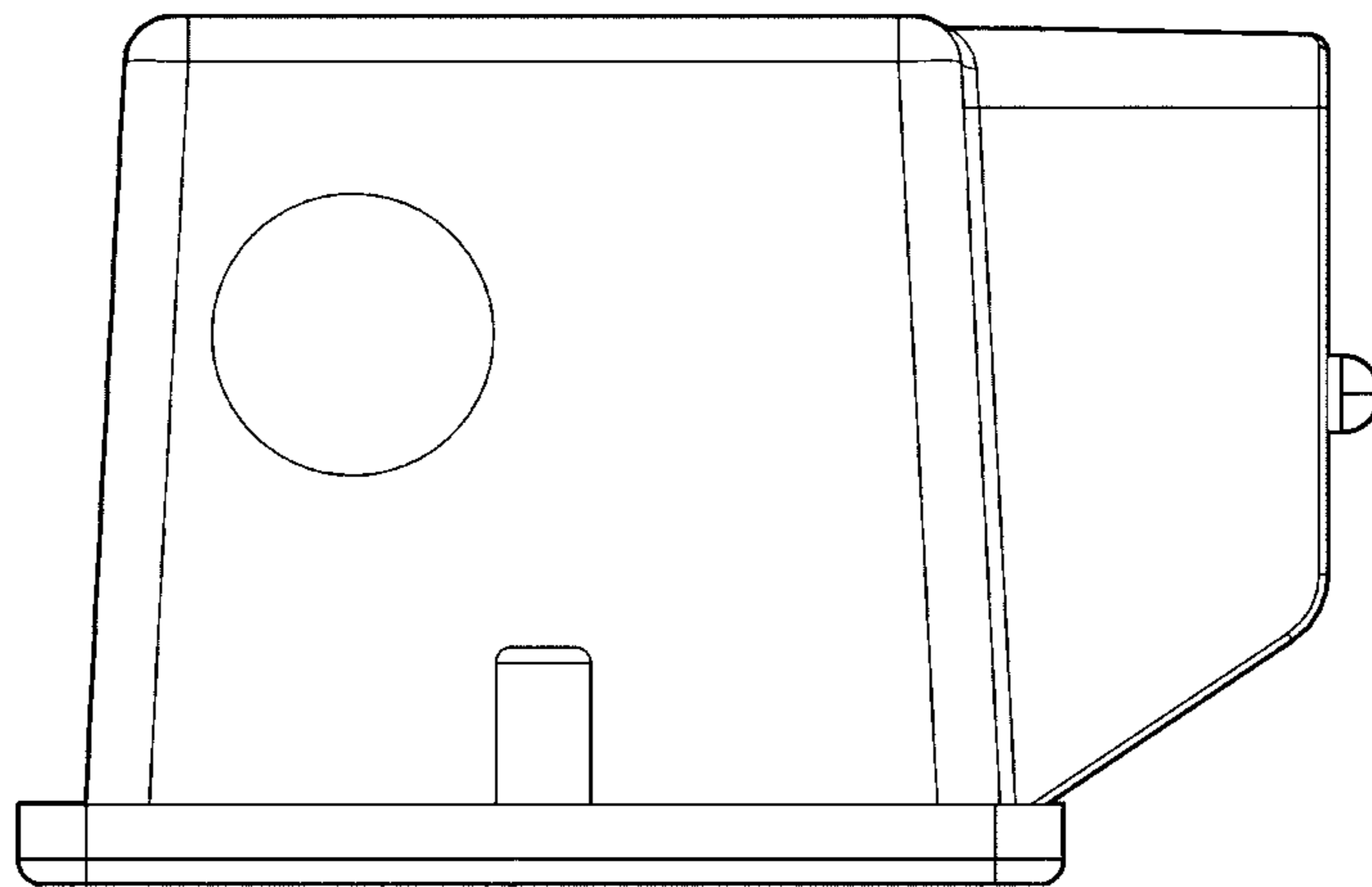


FIG.6

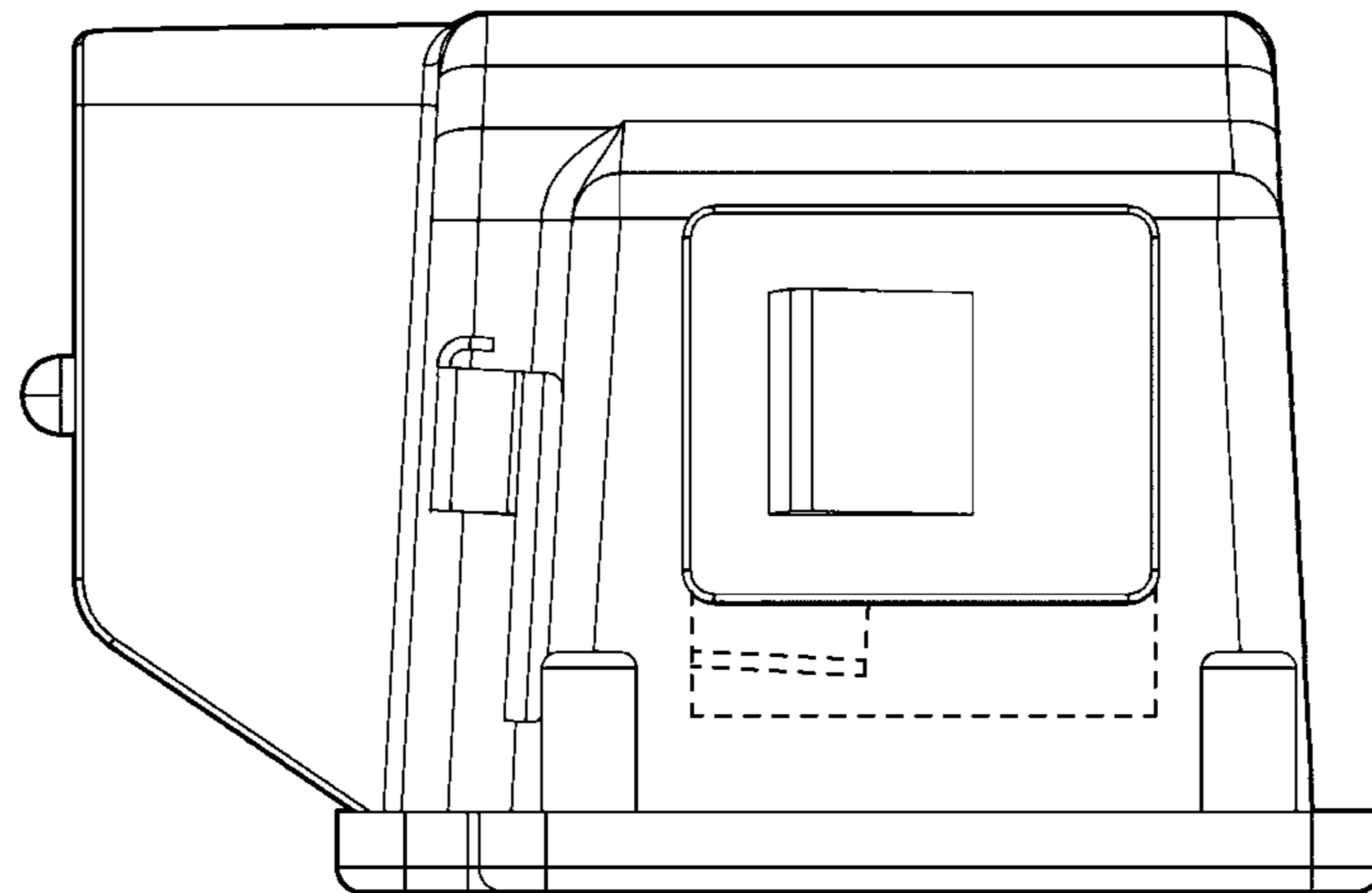


FIG. 7