



US00D916652S

(12) **United States Design Patent**  
**Gao**

(10) **Patent No.:** **US D916,652 S**

(45) **Date of Patent:** **\*\* Apr. 20, 2021**

(54) **PORTABLE SOLAR CHARGING BOARD WITH BRACKET**

(71) Applicant: **Maodi Solar Technology(Dongguan)Co., Ltd,**  
Dongguan (CN)

(72) Inventor: **Zhiyi Gao,** Dongguan (CN)

(73) Assignee: **MAODI SOLAR TECHNOLOGY(DONGGUAN)CO., LTD,** Dongguan (CN)

(\*\*) Term: **15 Years**

(21) Appl. No.: **29/721,560**

(22) Filed: **Jan. 21, 2020**

(51) **LOC (13) Cl.** ..... **13-02**

(52) **U.S. Cl.**  
USPC ..... **D13/102**

(58) **Field of Classification Search**  
USPC ..... D13/102, 101, 103, 110, 107, 108, 199  
CPC ..... H01L 31/00; H01L 31/042; H01L 31/045;  
H01L 31/048; H01L 31/052; H01L 31/0475; H01L 31/0485; H01M 10/052;  
H01M 10/465; H02S 30/10; H02S 30/20;  
Y02E 10/50; Y02E 10/52; Y10S 136/291;  
Y10S 136/293; H02J 7/35

See application file for complete search history.

(56) **References Cited**

**U.S. PATENT DOCUMENTS**

5,522,943 A \* 6/1996 Spencer ..... H02S 10/40  
136/245  
D510,316 S \* 10/2005 Hayakawa ..... D13/102

D586,736 S \* 2/2009 Fowler ..... D13/102  
D628,534 S \* 12/2010 Daniel ..... D13/102  
D724,012 S \* 3/2015 Zhan ..... D13/102  
D786,190 S \* 5/2017 Li ..... D13/102  
D806,011 S \* 12/2017 Chang ..... D13/102  
D824,848 S \* 8/2018 Anderson ..... D13/102

\* cited by examiner

*Primary Examiner* — Derrick E Holland

(74) *Attorney, Agent, or Firm* — Bayramoglu Law Offices LLC

(57) **CLAIM**

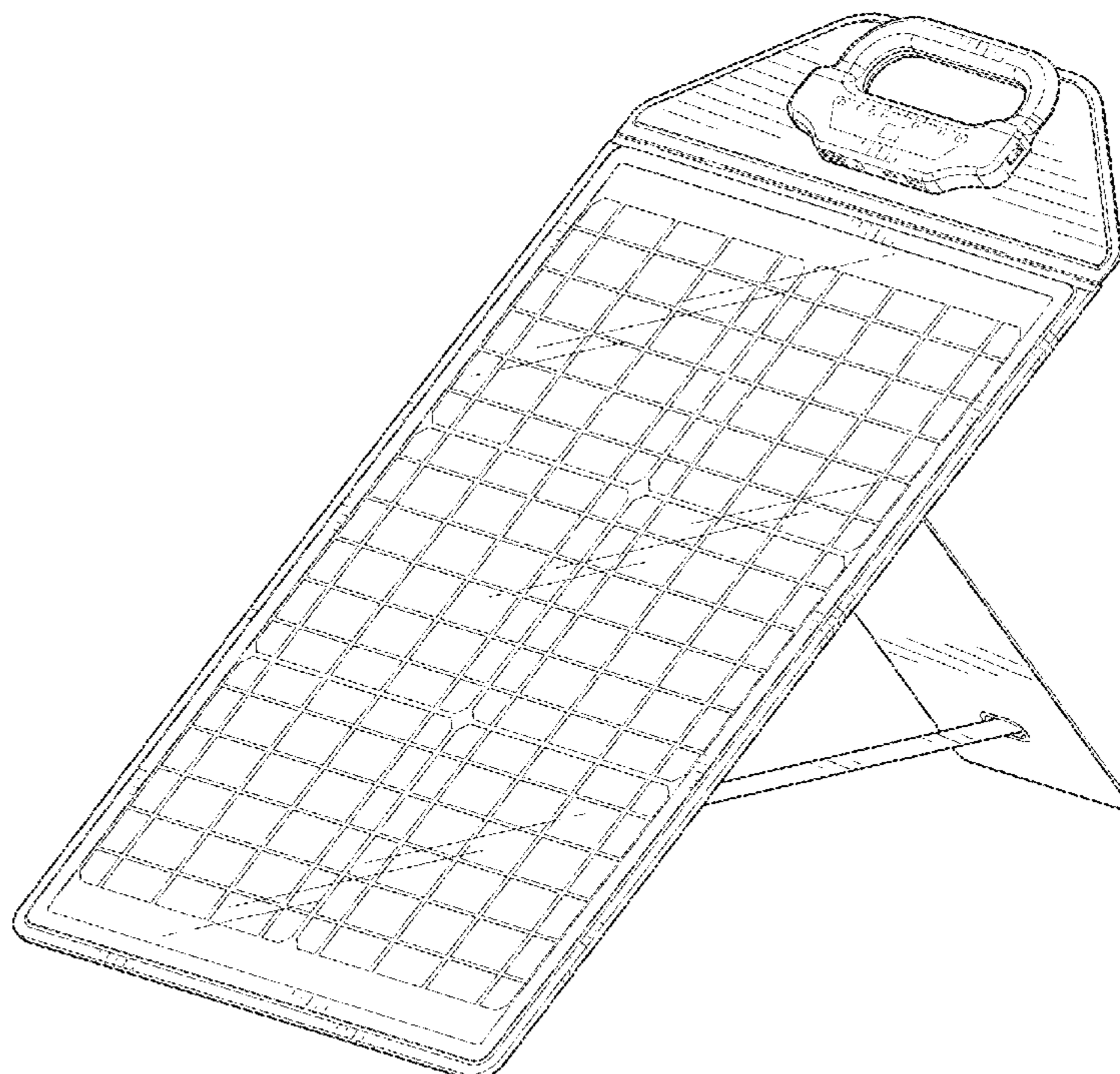
The ornamental design for a portable solar charging board with bracket, as shown and described.

**DESCRIPTION**

FIG. 1 is a front elevational view of a portable solar charging board with bracket showing my new design;  
FIG. 2 is a rear elevational view thereof;  
FIG. 3 is a left side elevational view thereof;  
FIG. 4 is a right side elevational view thereof;  
FIG. 5 is a top plan view thereof;  
FIG. 6 is a bottom plan view thereof; and,  
FIG. 7 is a perspective view thereof.

The broken lines shown depict the portions of the portable solar charging board with bracket that form no part of the claimed design.

**1 Claim, 5 Drawing Sheets**



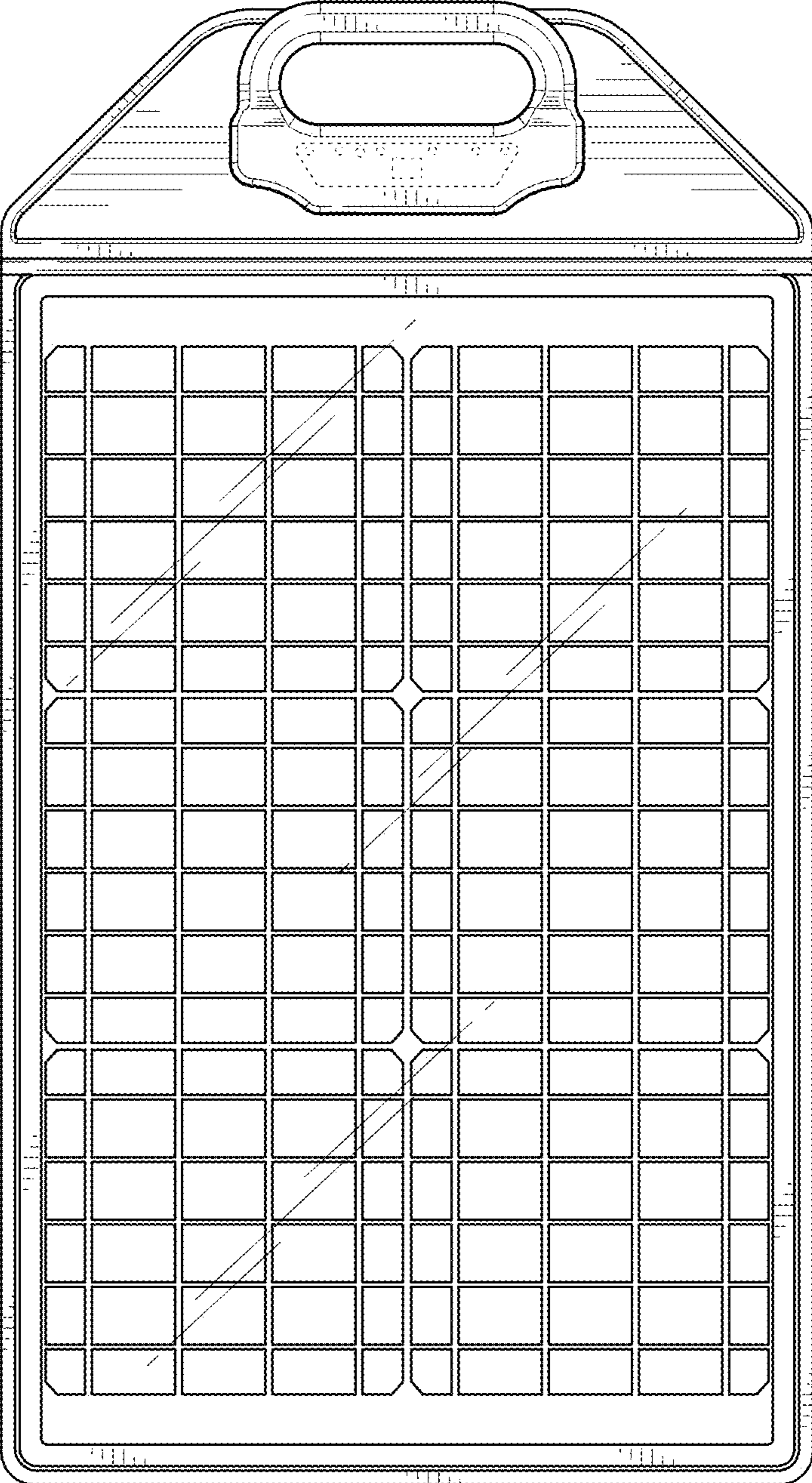


FIG. 1

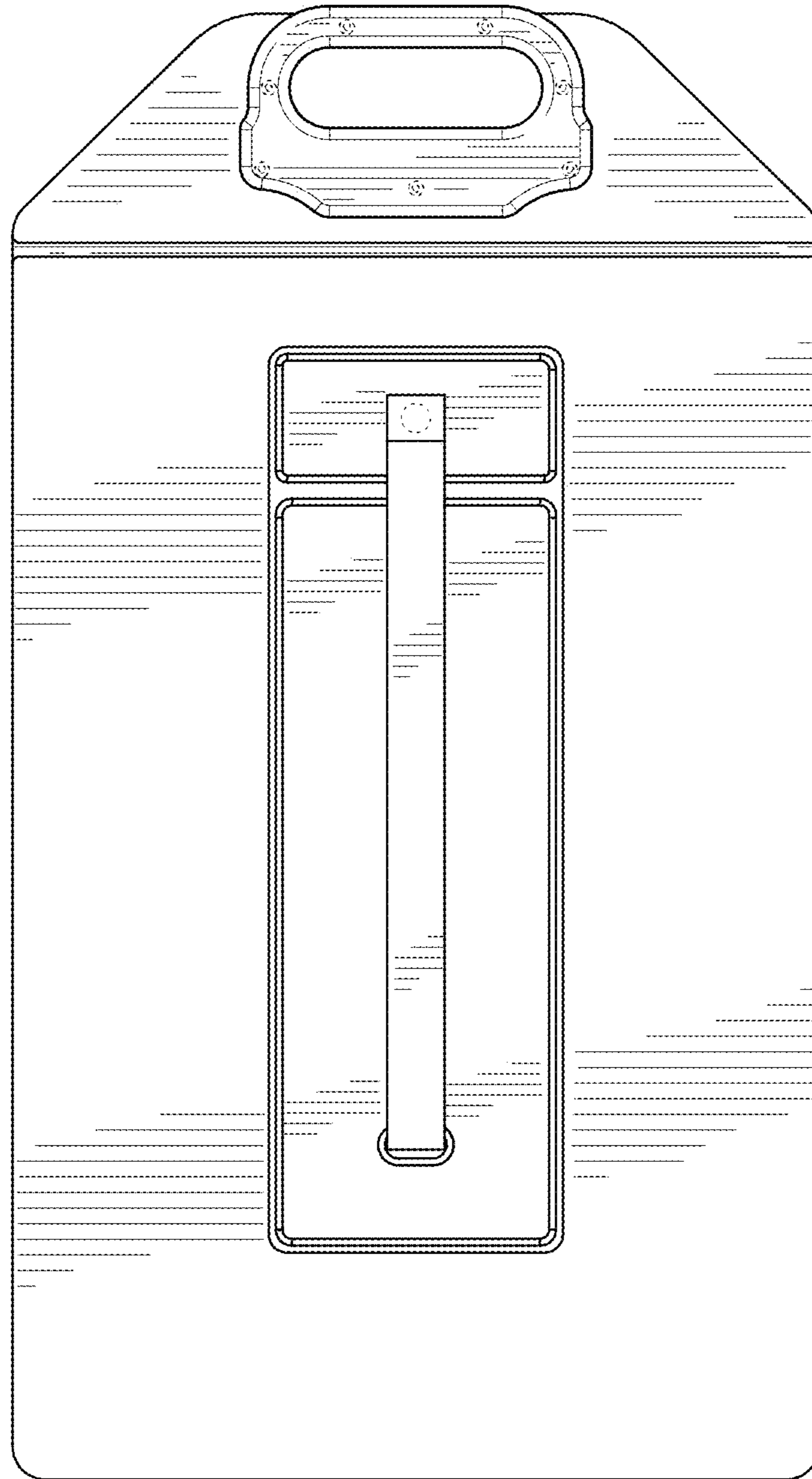


FIG. 2

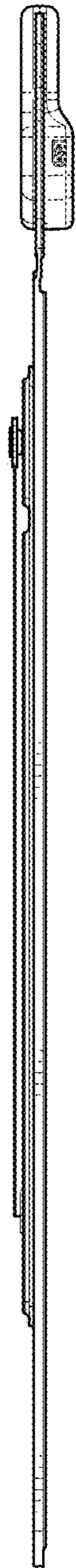


FIG. 3

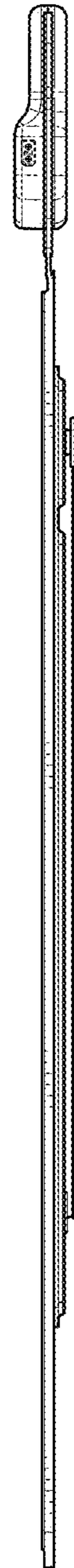


FIG. 4



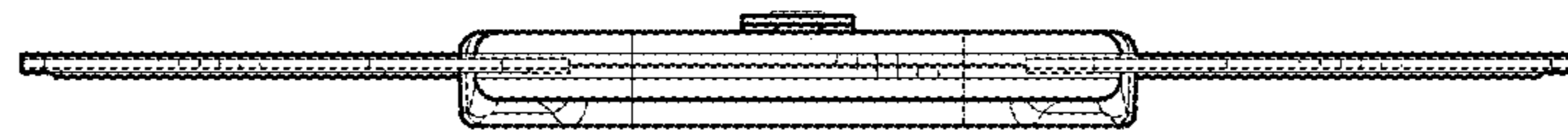


FIG. 5



FIG. 6

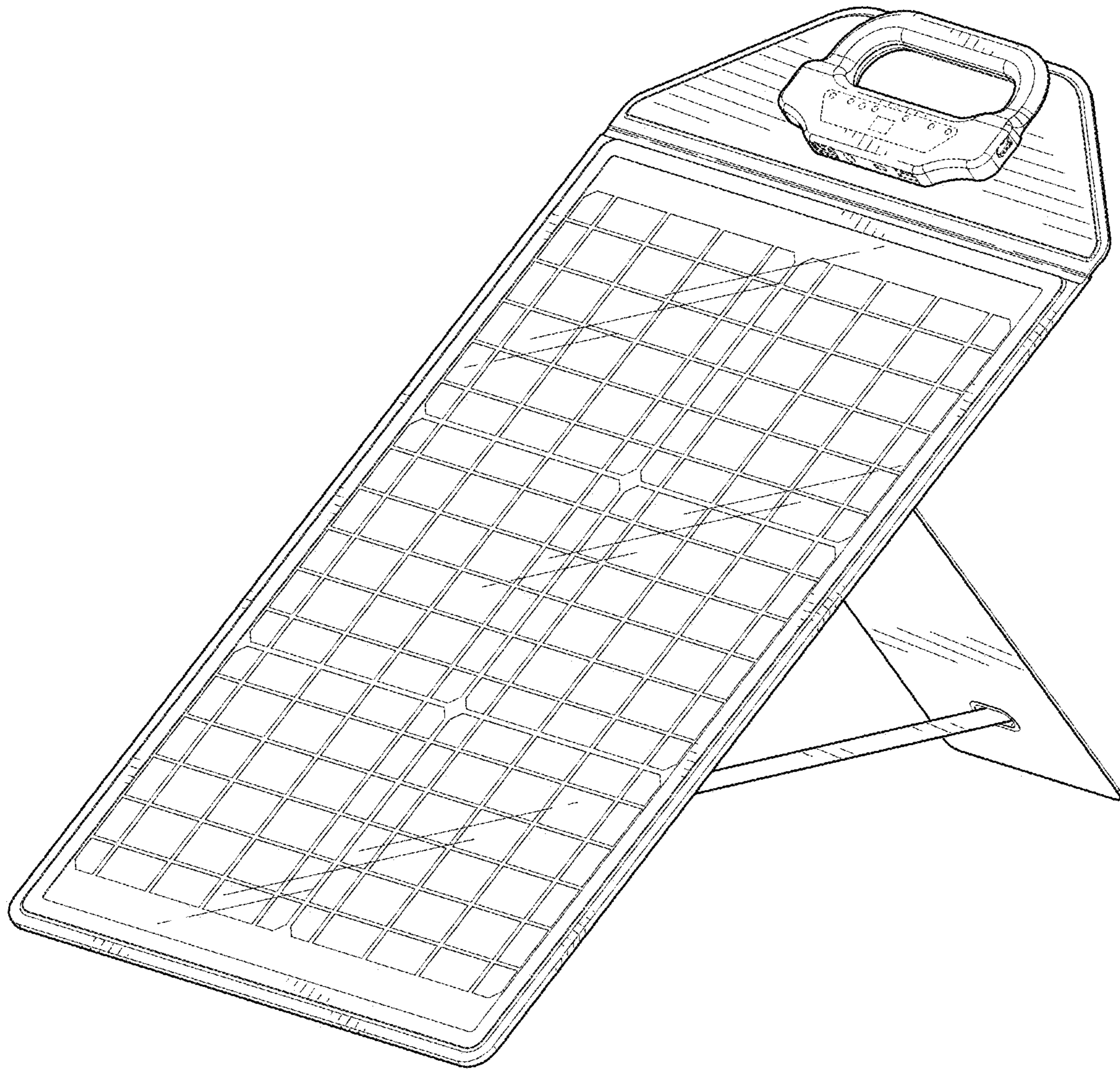


FIG. 7