



US00D916646S

(12) **United States Design Patent**
Hodge et al.

(10) **Patent No.:** **US D916,646 S**
(45) **Date of Patent:** **** Apr. 20, 2021**

(54) **DASHBOARD ATTACHMENT DEVICE**

- (71) Applicant: **Owl Cameras, Inc.**, Palo Alto, CA (US)
- (72) Inventors: **Andrew Hodge**, Palo Alto, CA (US); **Lynette Ross**, Mountain View, CA (US); **Adam Rodriguez**, Hacienda Heights, CA (US); **Stephen Senatore**, South San Francisco, CA (US)
- (73) Assignee: **XIRGO TECHNOLOGIES, LLC**, Camarillo, CA (US)
- (**) Term: **15 Years**
- (21) Appl. No.: **29/698,316**
- (22) Filed: **Jul. 16, 2019**

Related U.S. Application Data

- (60) Division of application No. 29/635,559, filed on Jan. 31, 2018, now Pat. No. Des. 860,116, which is a (Continued)
- (51) **LOC (13) Cl.** **12-16**
- (52) **U.S. Cl.**
USPC **D12/415**
- (58) **Field of Classification Search**
USPC D12/415-420, 400, 191, 106, 195, 345, D12/96, 99; 296/36; 22/539; 224/404; (Continued)

(56) **References Cited**

U.S. PATENT DOCUMENTS

- D253,816 S * 1/1980 Turek D12/418
 - D275,431 S * 9/1984 Usab 248/921
- (Continued)

OTHER PUBLICATIONS

Owl Car Cam review: An expensive LTE-powered dashcam with quite a few flaws, AndroidPolice.com, Richard Gao, Oct. 13, 2018, [online], [site visited Sep. 14, 2020]. <URL: <https://www.androidpolice.com/2018/10/13/owl-car-cam-review-expensive-lte-powered-dashcam-quite-flaws/>> (Year: 2018).*

Primary Examiner — T Chase Nelson
Assistant Examiner — Jonathan J. Han

(74) *Attorney, Agent, or Firm* — Marton Ribera
Schumann & Chang LLP; Chien-Ju Alice Chuang; Hector J. Ribera

(57) **CLAIM**

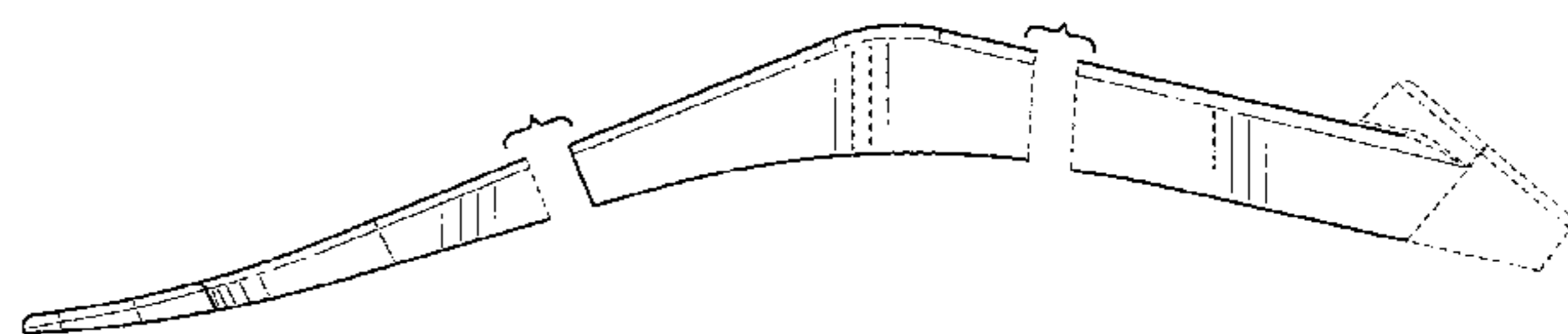
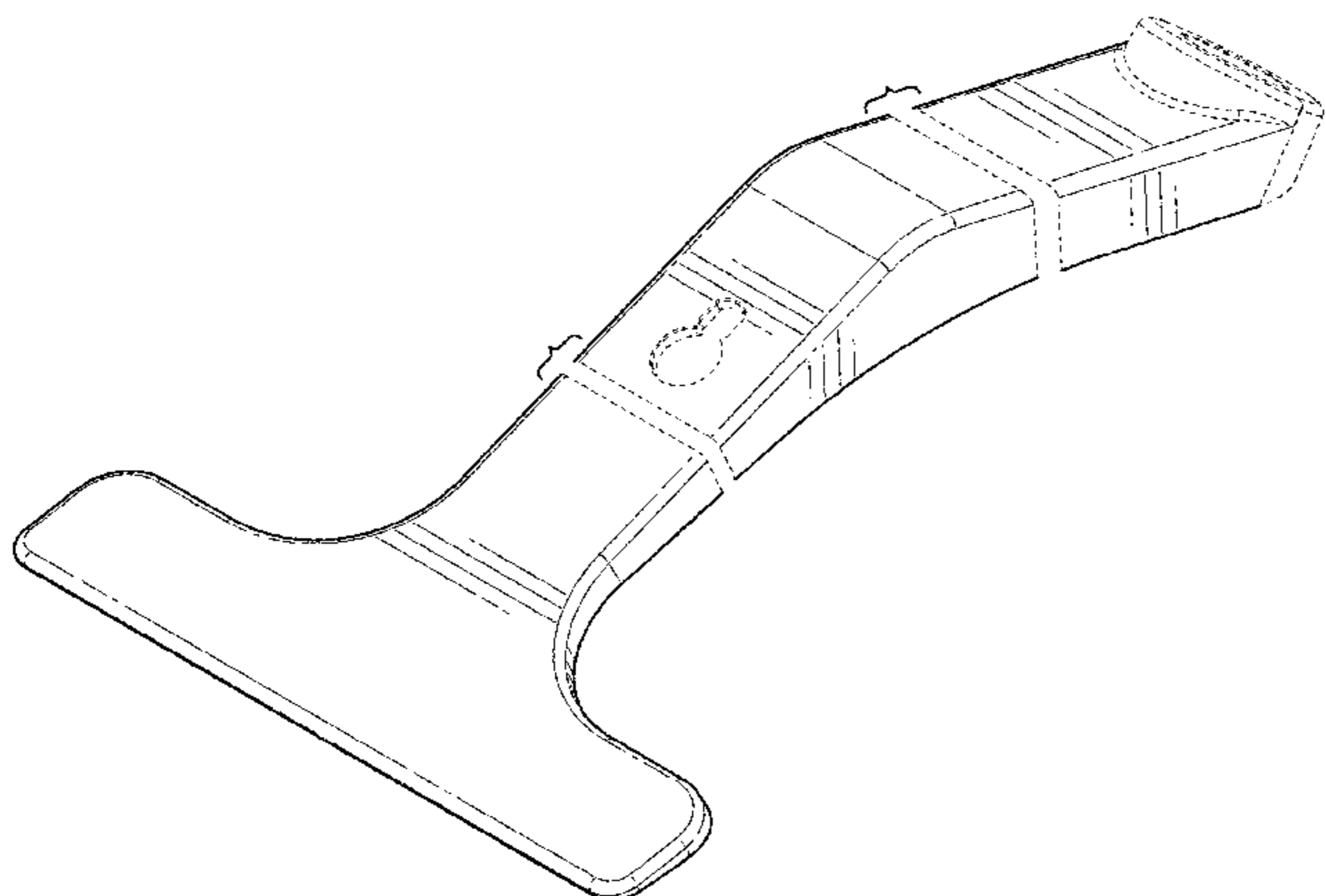
The ornamental design for a dashboard attachment device, as shown and described.

DESCRIPTION

FIG. 1 is a top front perspective view of a dashboard attachment device in accordance with the present invention. FIG. 2 is a top view of the dashboard attachment device of FIG. 1. FIG. 3 is a bottom view of the dashboard attachment device of FIG. 1. FIG. 4 is a right view of the dashboard attachment device of FIG. 1. FIG. 5 is a top back perspective view of the dashboard attachment device of FIG. 1; and, FIG. 6 is a front view of the dashboard attachment device of FIG. 1.

The broken or dashed lines show portions of the dashboard attachment device that form no part of the claimed design. The claimed design for the dashboard attachment design is directed to the portions shown in the figure views and any portions not shown between the brackets form no part of the claimed design. Surface shading shown in the drawings is used to show contour of the design and is not to be construed as surface ornamentation.

1 Claim, 6 Drawing Sheets



Related U.S. Application Data

continuation-in-part of application No. 29/631,683,
filed on Jan. 2, 2018, now Pat. No. Des. 860,115.

(58) **Field of Classification Search**

USPC 248/274.1, 284.1; D8/354; D9/423;
D14/451-452, 447

CPC B60R 7/04; B60R 7/08; B60R 7/06; B60R
11/02; B60R 2011/005; B60R 2011/0012;
A61L 9/12; A61L 9/04

See application file for complete search history.

(56) **References Cited**

U.S. PATENT DOCUMENTS

D292,532 S * 10/1987 Strongwater D32/49
D360,505 S * 7/1995 Goodman D32/41
D381,149 S * 7/1997 Mayo D32/49
D516,010 S * 2/2006 Sullivan D12/415
D575,774 S * 8/2008 Harris D14/125
D586,879 S * 2/2009 Libman D32/41
D627,532 S * 11/2010 Yang D32/41
D649,153 S * 11/2011 Symons D14/447
D655,282 S * 3/2012 Richter D14/253
D685,316 S * 7/2013 Inagaki D12/415
D696,827 S * 12/2013 Crawley D32/41
D709,757 S * 7/2014 Yang D8/395
D715,790 S * 10/2014 Conomos D14/253
D717,361 S * 11/2014 Nikaido D16/244
D723,756 S * 3/2015 Goodman D32/41

D749,081 S * 2/2016 Serfoss D14/447
D760,723 S * 7/2016 Won D14/447
D772,884 S * 11/2016 Oberpriller G06K 7/10722
D14/453
D773,141 S * 11/2016 Chitayat D32/41
D785,000 S * 4/2017 Messler D14/451
D786,174 S * 5/2017 Godard D12/415
D787,144 S * 5/2017 Thompson D32/41
D792,415 S * 7/2017 Tsai D14/447
D797,750 S * 9/2017 Wengreen D14/447
D819,015 S * 5/2018 Lee D14/253
D824,378 S * 7/2018 Sukphisit D14/253
D824,917 S * 8/2018 Nelson D14/447
D829,217 S * 9/2018 Scholler D14/447
D830,369 S * 10/2018 Grundstrom D14/447
D831,666 S * 10/2018 Yao D14/447
D832,209 S * 10/2018 Kang D13/108
D835,114 S * 12/2018 Lazzi D14/447
D835,626 S * 12/2018 Mir Martos D14/447
D837,222 S * 1/2019 Janzen D14/447
D837,223 S * 1/2019 Wu D14/451
D841,913 S * 2/2019 Renner D32/41
D860,115 S * 9/2019 Hodge D12/415
D860,116 S * 9/2019 Hodge D12/415
D863,706 S * 10/2019 Hadad D32/41
D870,093 S * 12/2019 McSweyn D14/253
D873,898 S * 1/2020 Roth D16/242
D893,581 S * 8/2020 Roth D16/242
2007/0064380 A1 * 3/2007 Shin F16M 11/2064
361/679.07

* cited by examiner

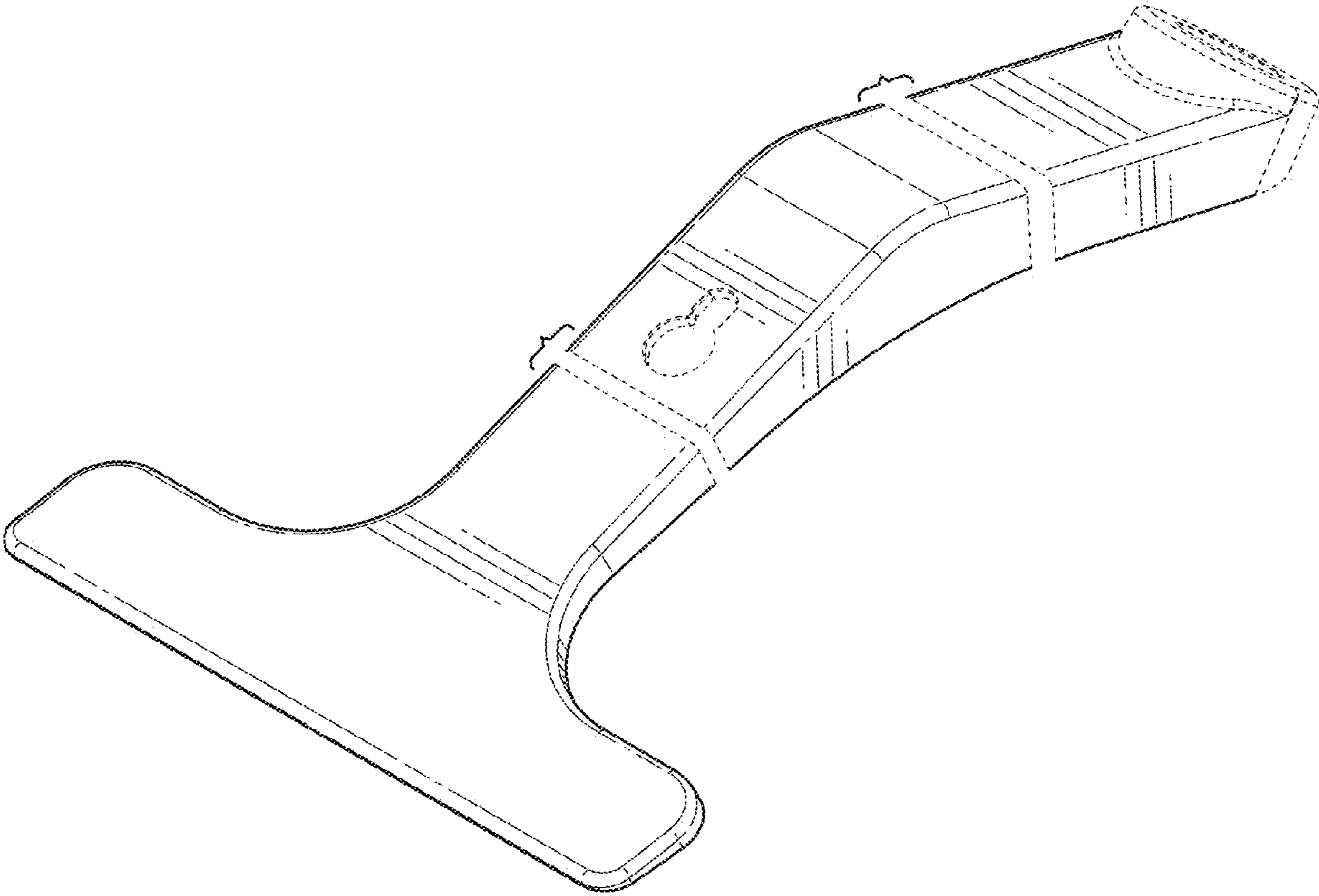


FIG. 1

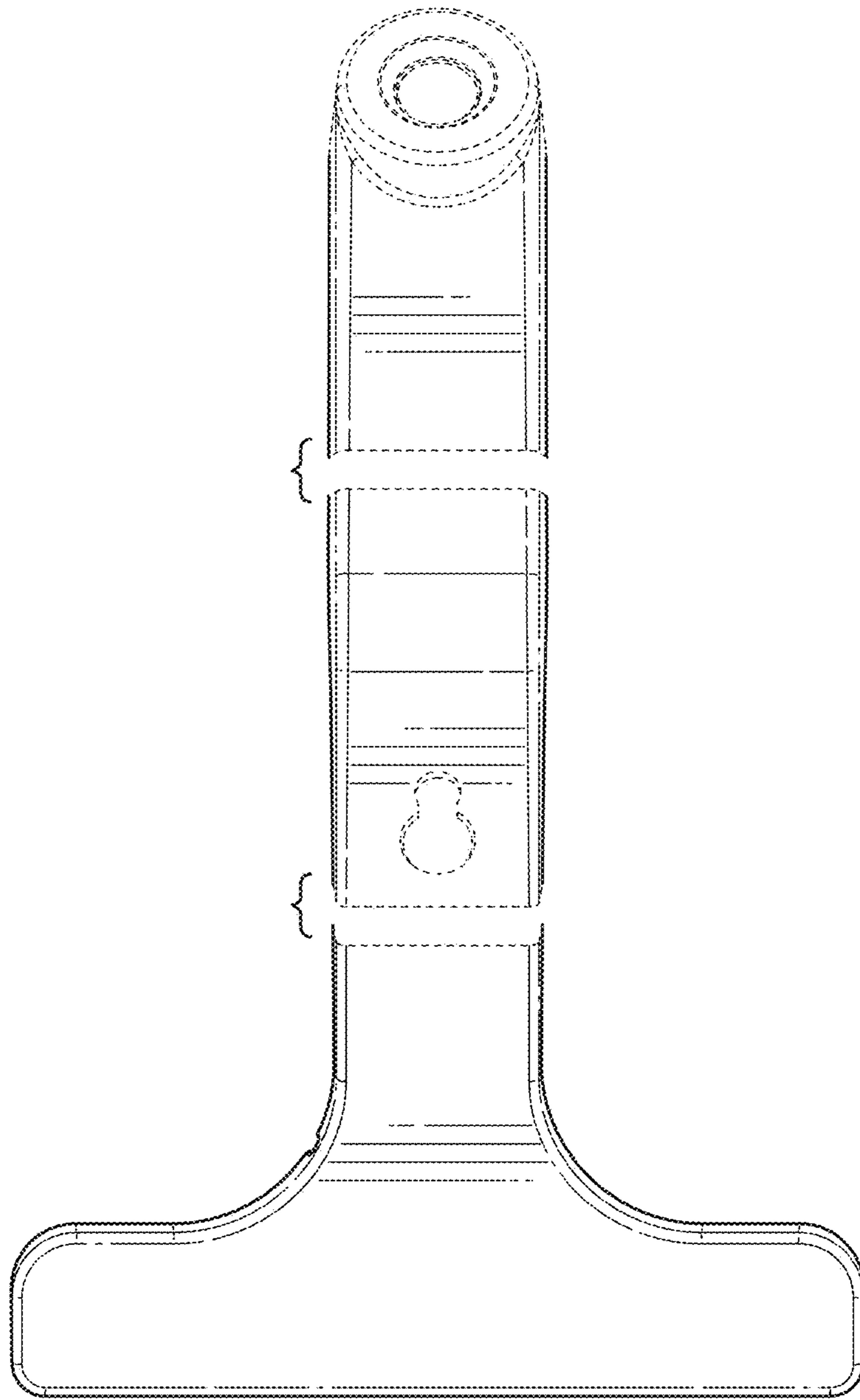


FIG. 2

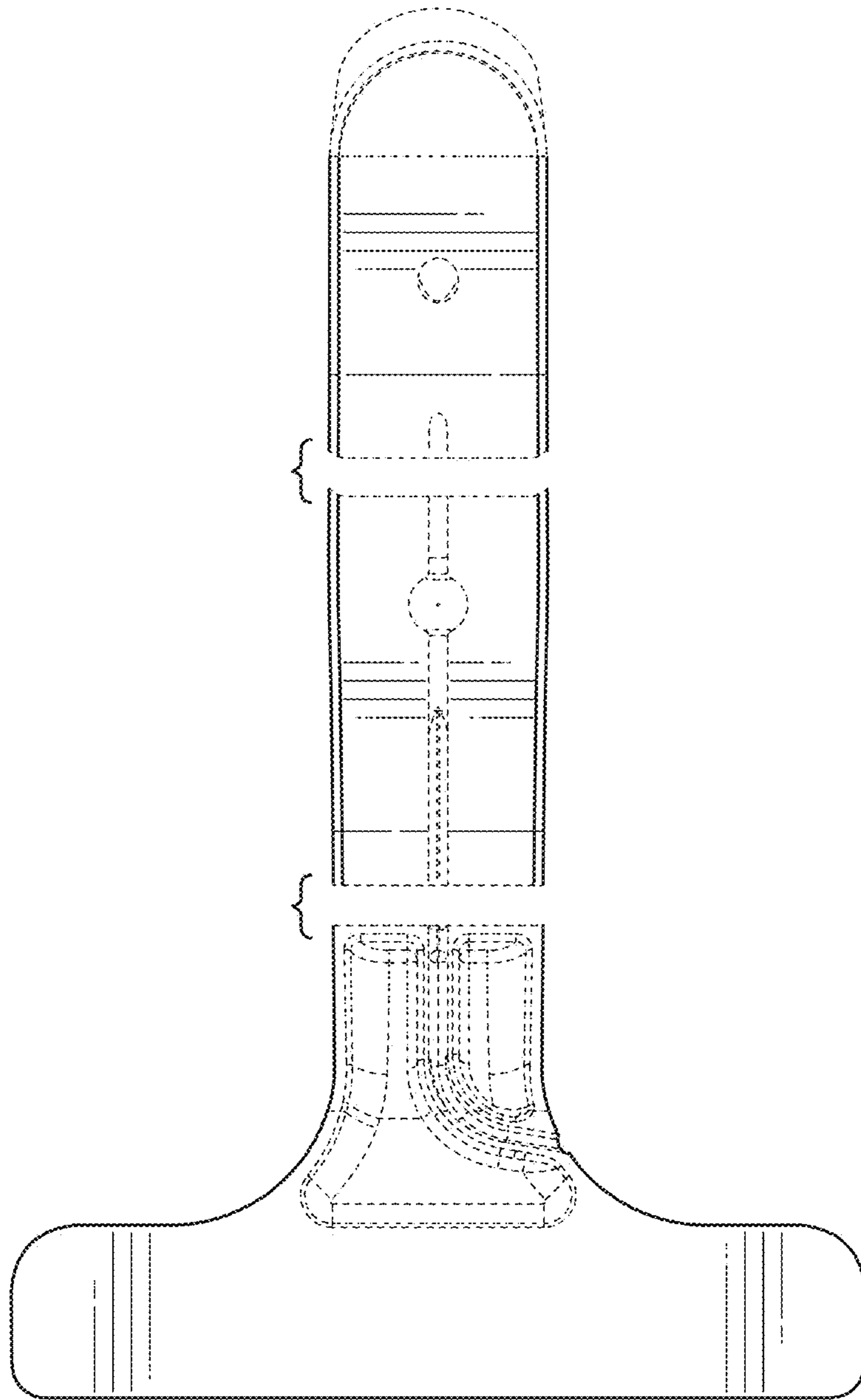


FIG. 3

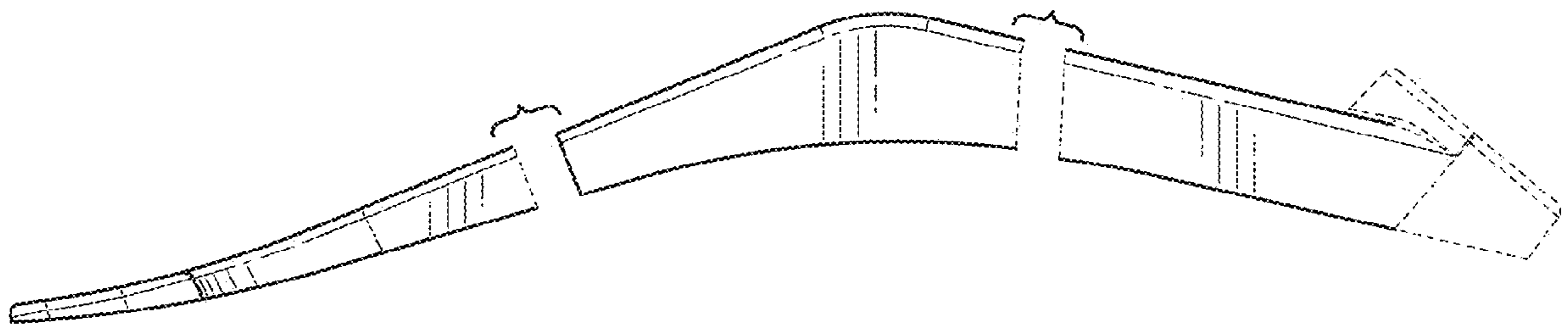


FIG. 4

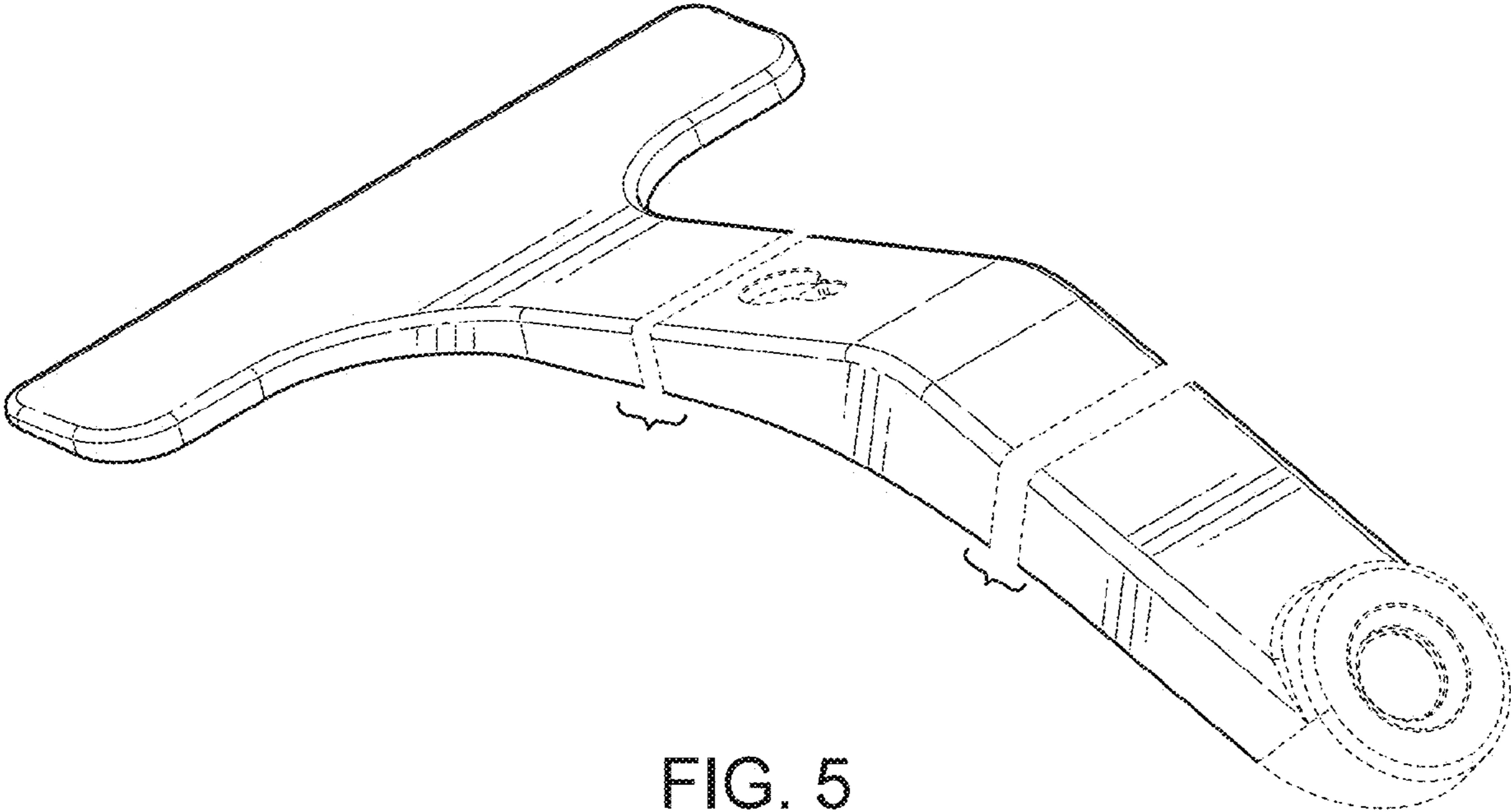


FIG. 5

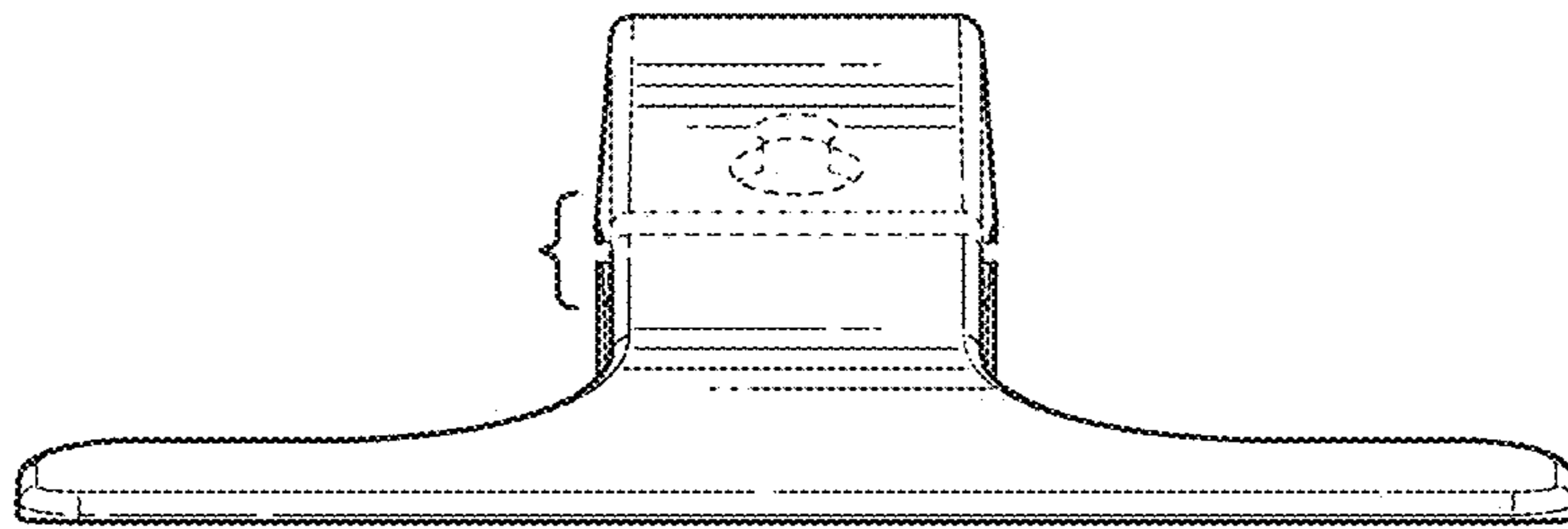


FIG. 6