



US00D916645S

(12) **United States Design Patent**
McGraw

(10) **Patent No.:** **US D916,645 S**

(45) **Date of Patent:** **** Apr. 20, 2021**

- (54) **VEHICLE RACK**
- (71) Applicant: **Marengo Bend Custom Fabrication, L.L.C., Vidalia, LA (US)**
- (72) Inventor: **Ryan McGraw, Vidalia, LA (US)**
- (73) Assignee: **Marengo Bend Custom Fabrication, L.L.C., Vidalia, LA (US)**
- (**) Term: **15 Years**
- (21) Appl. No.: **29/686,961**
- (22) Filed: **Apr. 9, 2019**
- (51) **LOC (13) Cl.** **12-16**
- (52) **U.S. Cl.**
USPC **D12/412**
- (58) **Field of Classification Search**
USPC D12/412-414, 414.1, 406; D6/552;
D3/304-306; 224/405, 403, 331
CPC B60R 9/04; B60R 9/045; B60R 9/048
See application file for complete search history.

- D540,736 S * 4/2007 Harris D12/412
- D593,927 S * 6/2009 Walton D12/406
- D655,505 S * 3/2012 James D3/306
- 8,622,266 B2 * 1/2014 McMillan B60R 3/007
224/323
- 9,421,921 B2 * 8/2016 Manlick B60R 13/01
- D772,783 S * 11/2016 Schleef D12/412
- D793,947 S * 8/2017 Badillo D12/412
- D811,311 S * 2/2018 Badillo D12/412
- D811,986 S * 3/2018 Torres D12/412
- D814,389 S 4/2018 Walker
- D864,087 S * 10/2019 Walker D12/412
- D864,088 S * 10/2019 Walker D12/412
- D864,840 S * 10/2019 Wood D12/412
- D866,448 S * 11/2019 Ash D12/412
- D866,449 S * 11/2019 Walker D12/412

(Continued)

OTHER PUBLICATIONS

Marengo Bend Custom Fabrication, Aluminum, MarengoBend.com,[online], [site visited Jun. 6, 2020]. <URL: https://marengobend.com/aluminum> (Year: 2020).*

(Continued)

Primary Examiner — T Chase Nelson
Assistant Examiner — Jonathan J. Han
(74) *Attorney, Agent, or Firm* — Jones Walker LLP

(56) **References Cited**

U.S. PATENT DOCUMENTS

- 3,847,376 A * 11/1974 Binding B66F 7/243
254/88
- D244,268 S * 5/1977 Hinch D12/412
- 4,874,098 A * 10/1989 Moulds B65D 19/44
211/85.8
- 5,651,484 A * 7/1997 Fugman B60R 9/0423
182/127
- 5,806,905 A * 9/1998 Moore B60R 9/00
296/3
- D413,562 S * 9/1999 Van Dusen D12/412
- D434,364 S * 11/2000 Bauer D12/412
- D435,510 S * 12/2000 Quidort D12/412
- 6,425,508 B1 * 7/2002 Cole B60R 9/045
224/320
- 6,832,798 B1 * 12/2004 Krause B60R 9/042
224/403
- D503,144 S * 3/2005 Rex D12/413

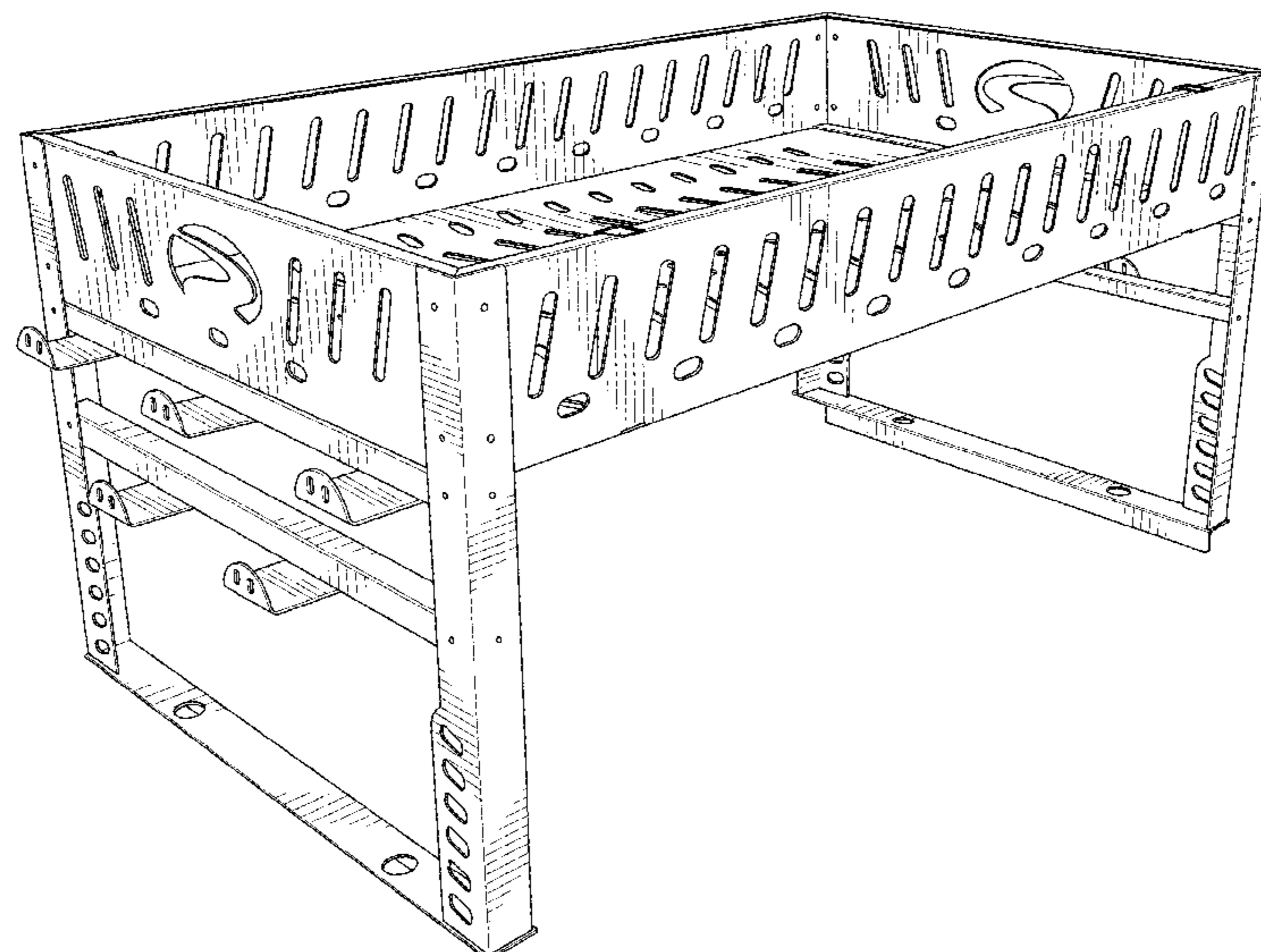
(57) **CLAIM**

I claim the ornamental design for a vehicle rack, as shown and described.

DESCRIPTION

FIG. 1 is a front perspective view of a vehicle rack;
FIG. 2 is a front view thereof;
FIG. 3 is a side view thereof;
FIG. 4 is a top view thereof; and,
FIG. 5 is a bottom view thereof.

1 Claim, 5 Drawing Sheets



(56)

References Cited

U.S. PATENT DOCUMENTS

D881,786 S * 4/2020 Ajam D12/222
2005/0092796 A1 * 5/2005 Essig B60R 9/00
224/321
2006/0163296 A1 * 7/2006 McMillan B60R 9/05
224/319
2008/0169322 A1 * 7/2008 McMillan B60R 9/055
224/328

OTHER PUBLICATIONS

Guide Series QR Roof, QuackRack.com, [online], [site visited Jun. 6, 2020], <URL: <https://quackrack.com/product/roof-rack/>> (Year: 2020).*

Dee Zee DZ4472JL Aluminum Roof Rack System, Quadratec.com, [online], [site visited Jun. 6, 2020]. <URL: <https://www.quadratec.com/p/dee-zee/roof-rack>> (Year: 2020).*

Bestop Universal Rack Tray, eTrailer.com, [online], [site visited Jun. 6, 2020]. <URL: https://www.etrailer.com/Vehicle-Organizer/Bestop/B41444.html?feed=npn&gclid=EAlalQobChMlpsrH5uft6QIVFInlCh3grQd8EAKYBiABEgJM_vD_BwE> (Year: 2020).*

* cited by examiner

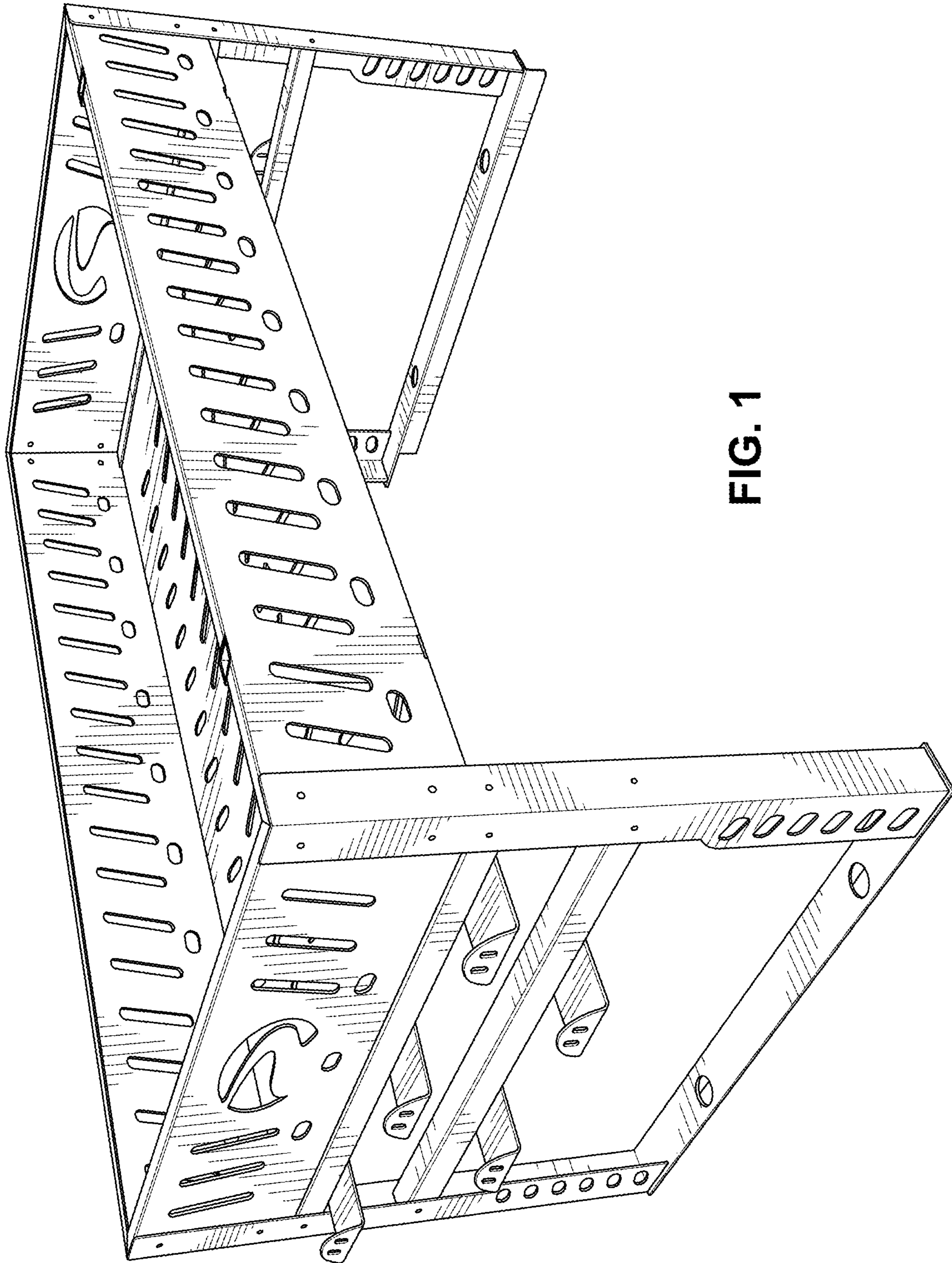


FIG. 1

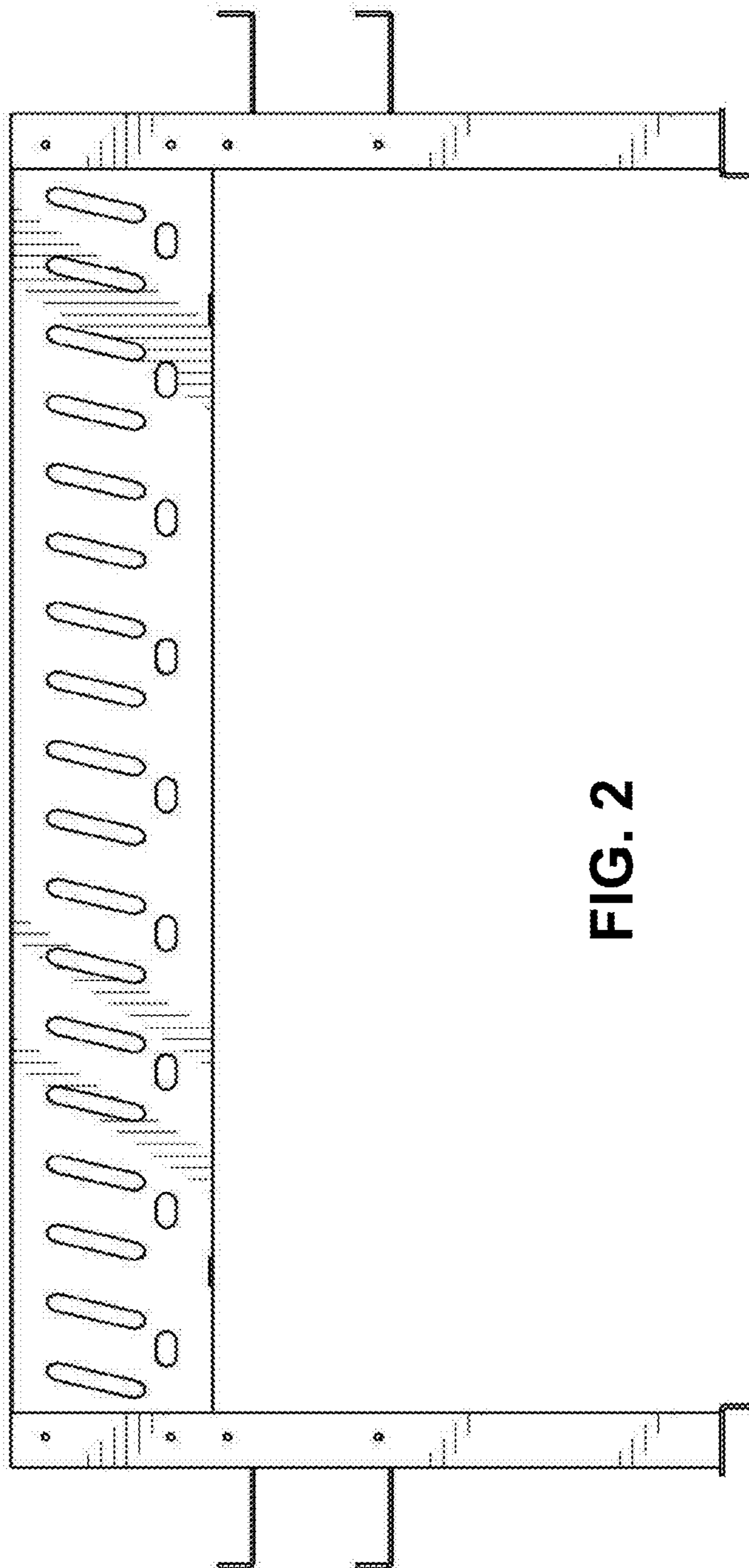


FIG. 2

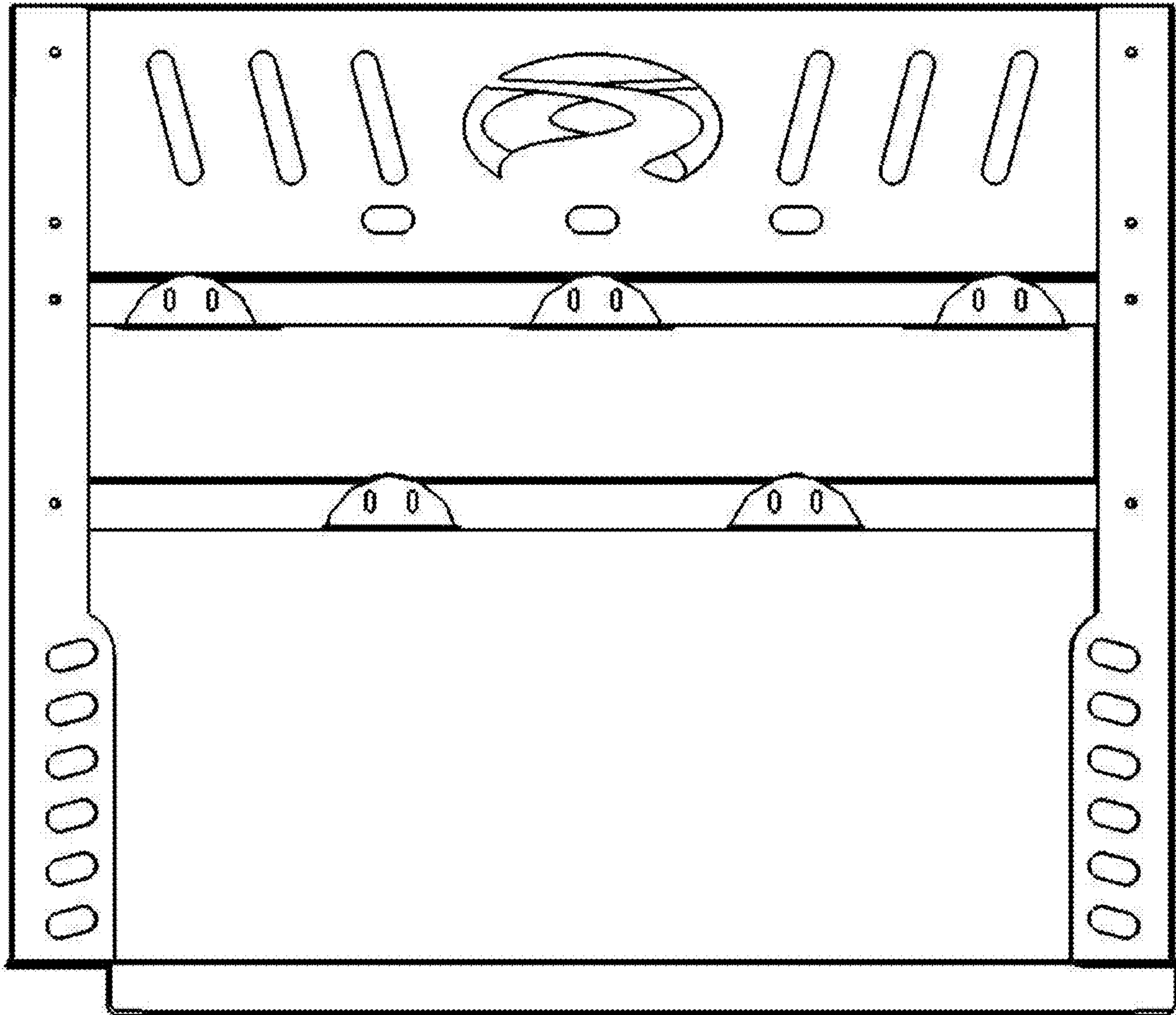


FIG. 3

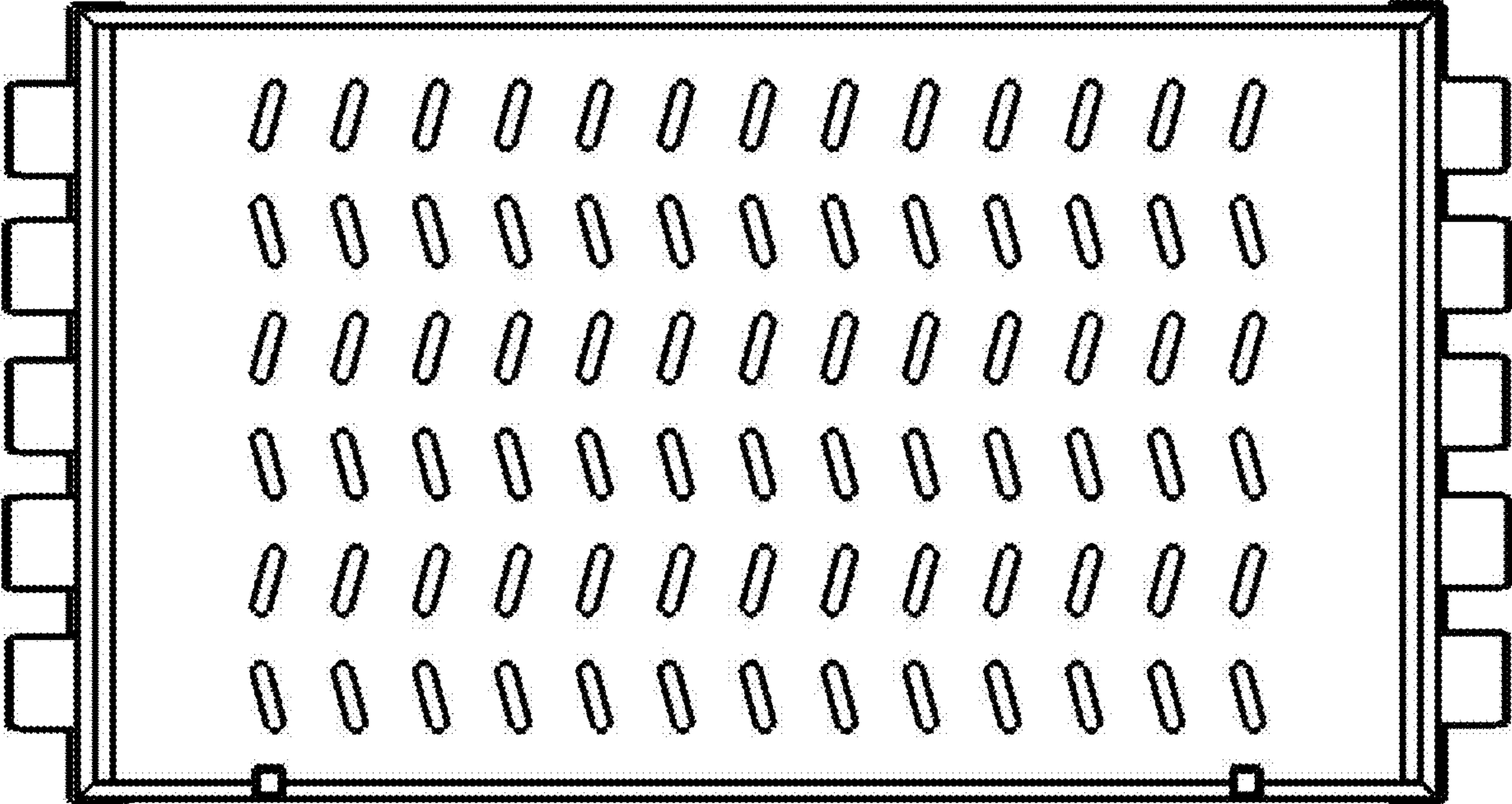


FIG. 4

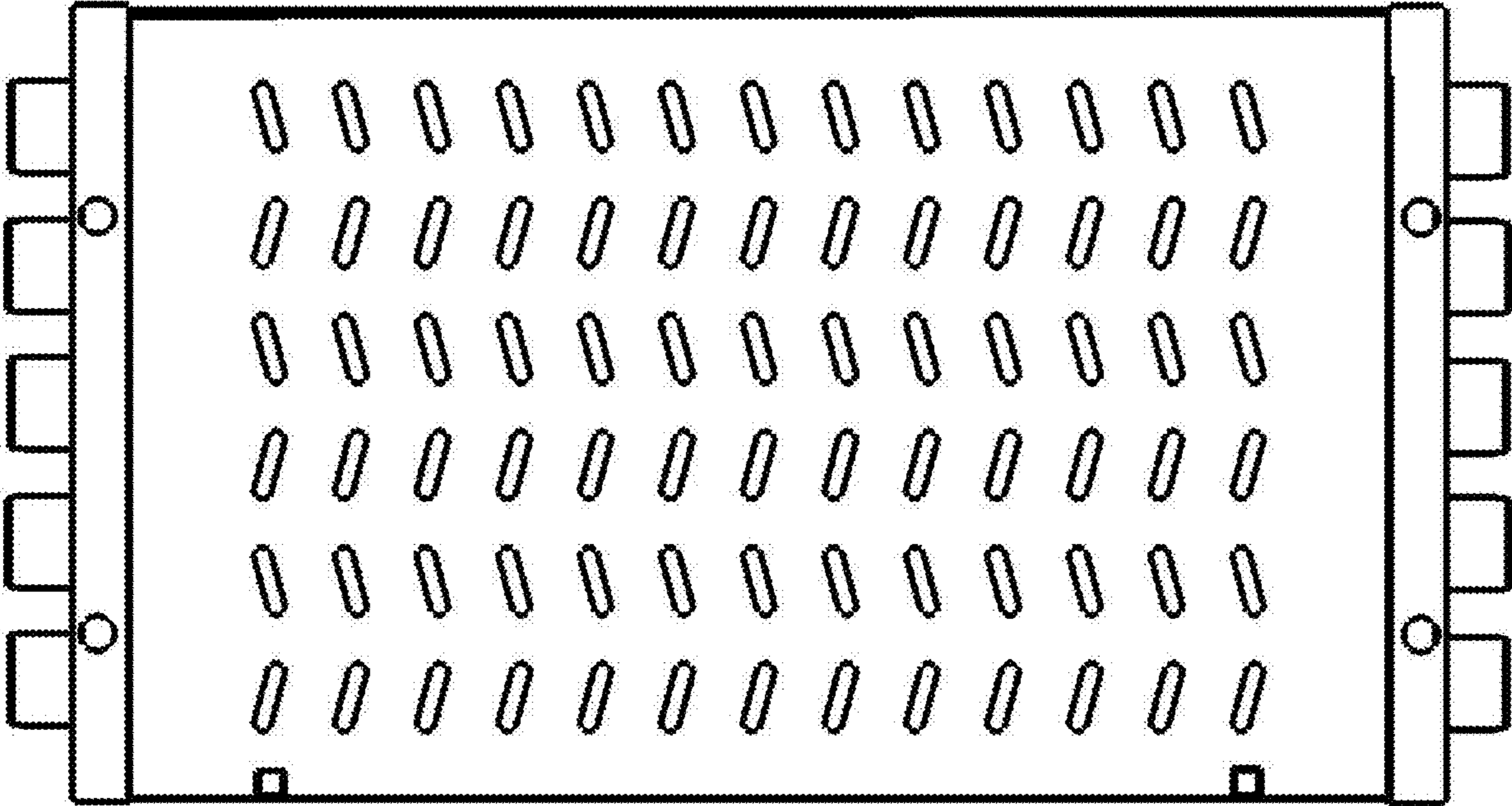


FIG. 5