



US00D916644S

(12) **United States Design Patent**
Goodrich

(10) **Patent No.:** **US D916,644 S**

(45) **Date of Patent:** **** Apr. 20, 2021**

(54) **VEHICLE WHEEL**

(71) Applicant: **Rivian IP Holdings, LLC**, Plymouth, MI (US)

(72) Inventor: **Stephen Goodrich**, Southfield, MI (US)

(73) Assignee: **Rivian IP Holdings, LLC**, Plymouth, MI (US)

(**) Term: **15 Years**

(21) Appl. No.: **29/733,539**

(22) Filed: **May 4, 2020**

Related U.S. Application Data

(63) Continuation of application No. 29/669,995, filed on Nov. 13, 2018, now Pat. No. Des. 883,172.

(51) **LOC (13) Cl.** **12-16**

(52) **U.S. Cl.**
USPC **D12/209**

(58) **Field of Classification Search**
USPC D12/204–213; D21/563
CPC B60B 7/00; B60B 7/02; B60B 7/04; B60B 7/01; B60B 7/06; B60B 3/02; B60B 3/04; B60B 3/06; B60B 3/10; B60B 1/00; B60B 1/08; B60B 1/10; B60B 1/12
See application file for complete search history.

(56) **References Cited**

U.S. PATENT DOCUMENTS

D419,942 S * 2/2000 Lampkin D12/209
D466,467 S * 12/2002 Hodges D12/211

D560,585 S * 1/2008 Blasi D12/209
D617,710 S * 6/2010 Ectors D12/209
D687,756 S * 8/2013 Campbell D12/209
D734,704 S * 7/2015 Juergens D12/211
D737,748 S * 9/2015 Henstridge D12/209
D750,543 S * 3/2016 Behmer D12/209
D756,876 S * 5/2016 Rueckheim D12/209
D763,764 S * 8/2016 Dunford D12/209
D781,201 S * 3/2017 Ninov D12/209
D791,036 S * 7/2017 Owens D12/209
D791,047 S * 7/2017 Bucher D12/211
D800,044 S * 10/2017 Ghobrial D12/209
D803,135 S * 11/2017 Bucher D12/209
D817,246 S * 5/2018 Andoh D12/209
D854,998 S * 7/2019 Ma D12/209
D861,565 S * 10/2019 Khachatryan D12/209
D872,672 S * 1/2020 Grewer D12/209
D883,172 S * 5/2020 Goodrich D12/209
D896,152 S * 9/2020 Owens D12/209
D899,998 S * 10/2020 Carbis D12/209

* cited by examiner

Primary Examiner — Stacia A Cadmus

(74) *Attorney, Agent, or Firm* — Haley Guiliano LLP

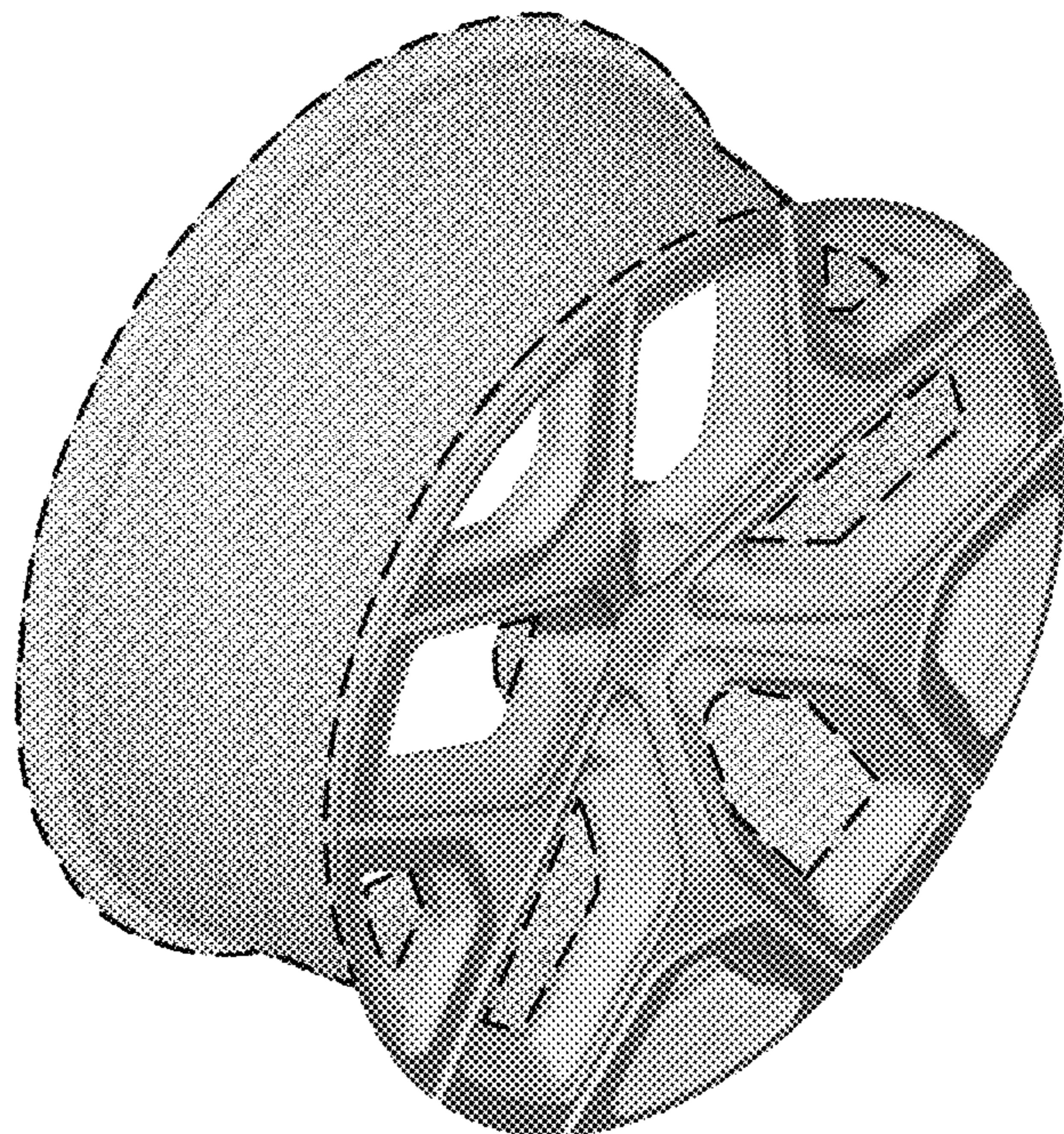
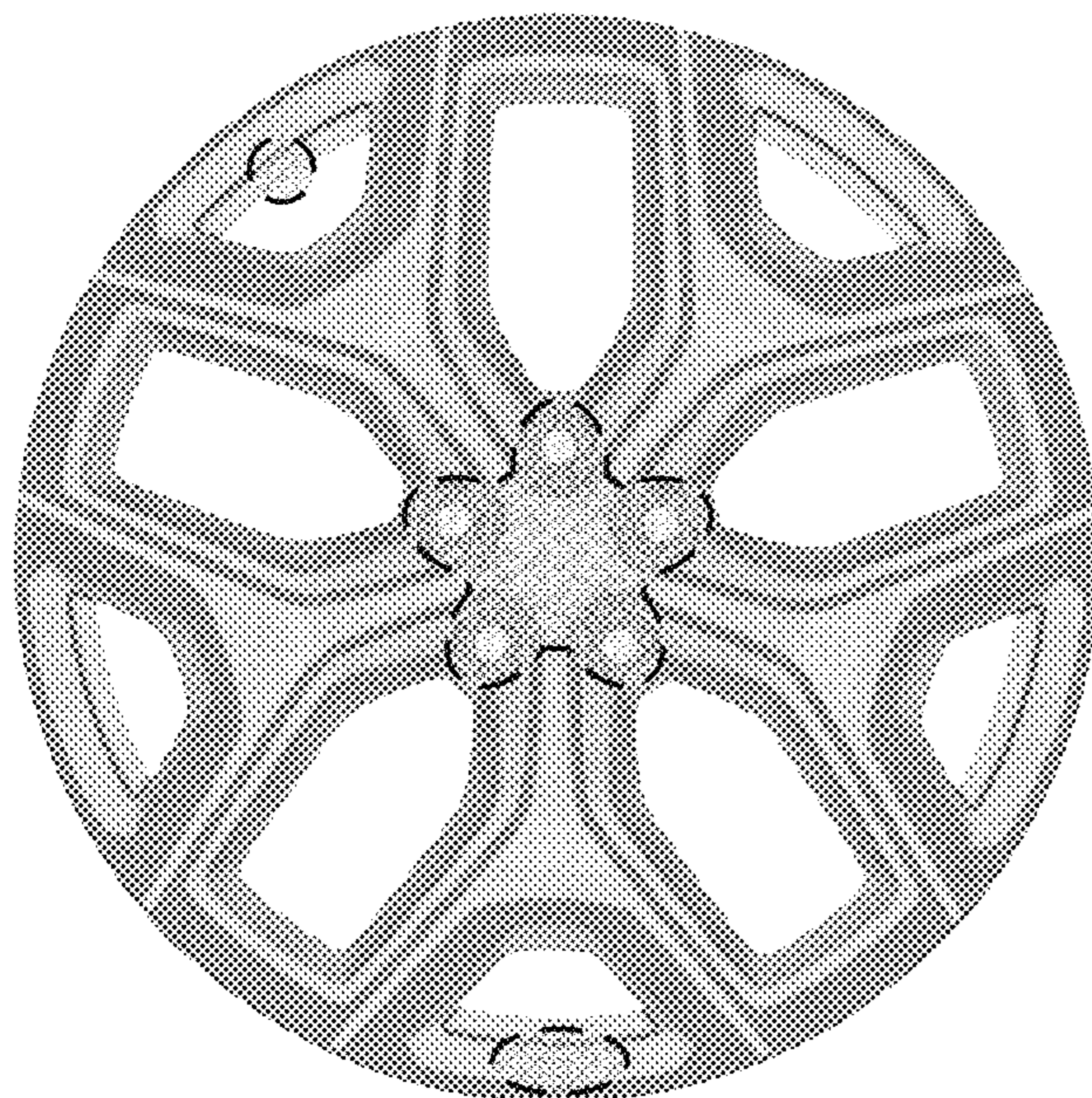
(57) **CLAIM**

The ornamental design for a vehicle wheel, as shown and described.

DESCRIPTION

FIG. 1 is a front elevational view of a vehicle wheel showing the claimed design; and, FIG. 2 is a front perspective view of the vehicle wheel. The dashed broken lines represent boundaries of the design; the dashed broken lines themselves and the areas within form no part of the claimed design.

1 Claim, 2 Drawing Sheets



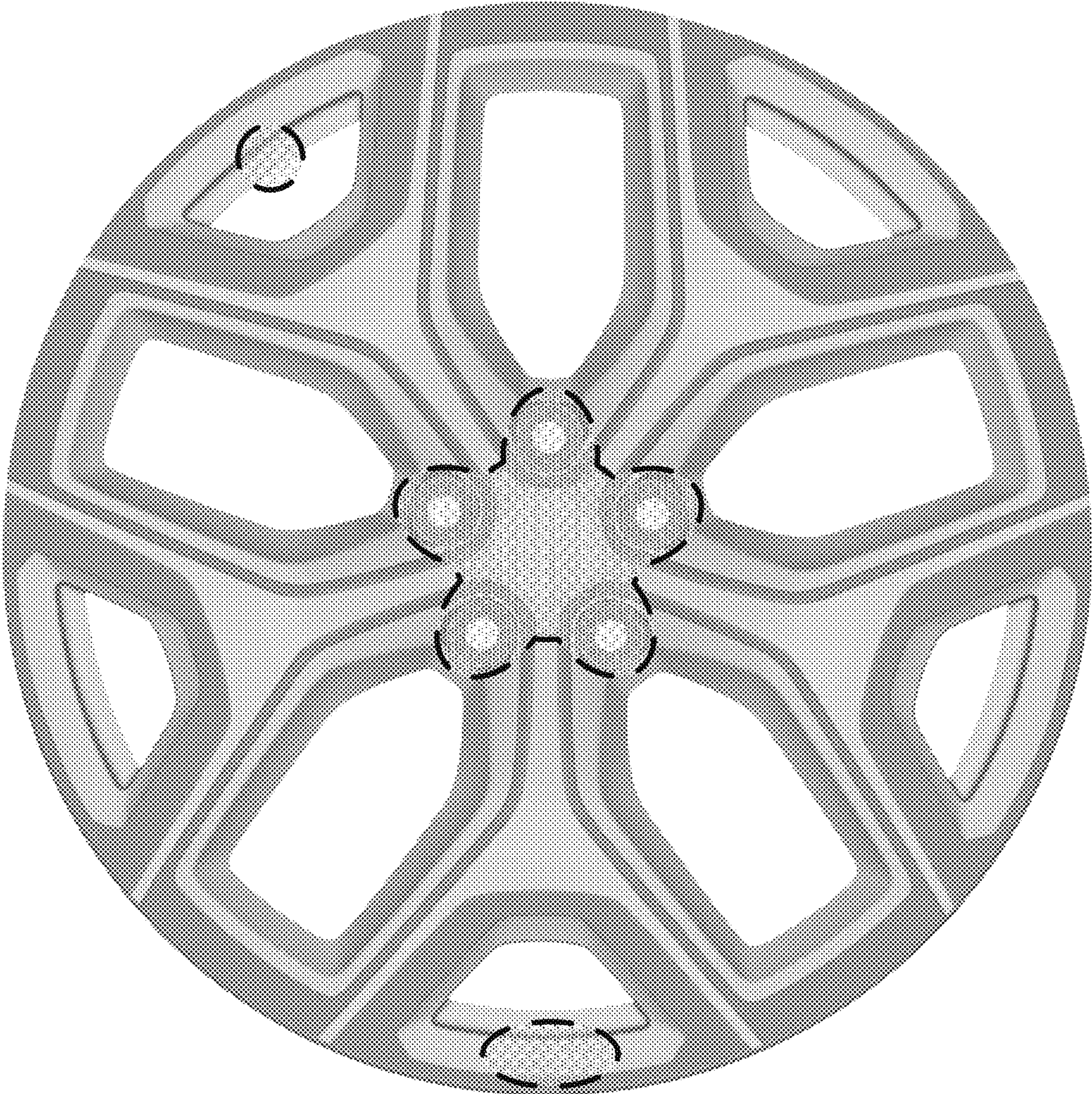


FIG. 1

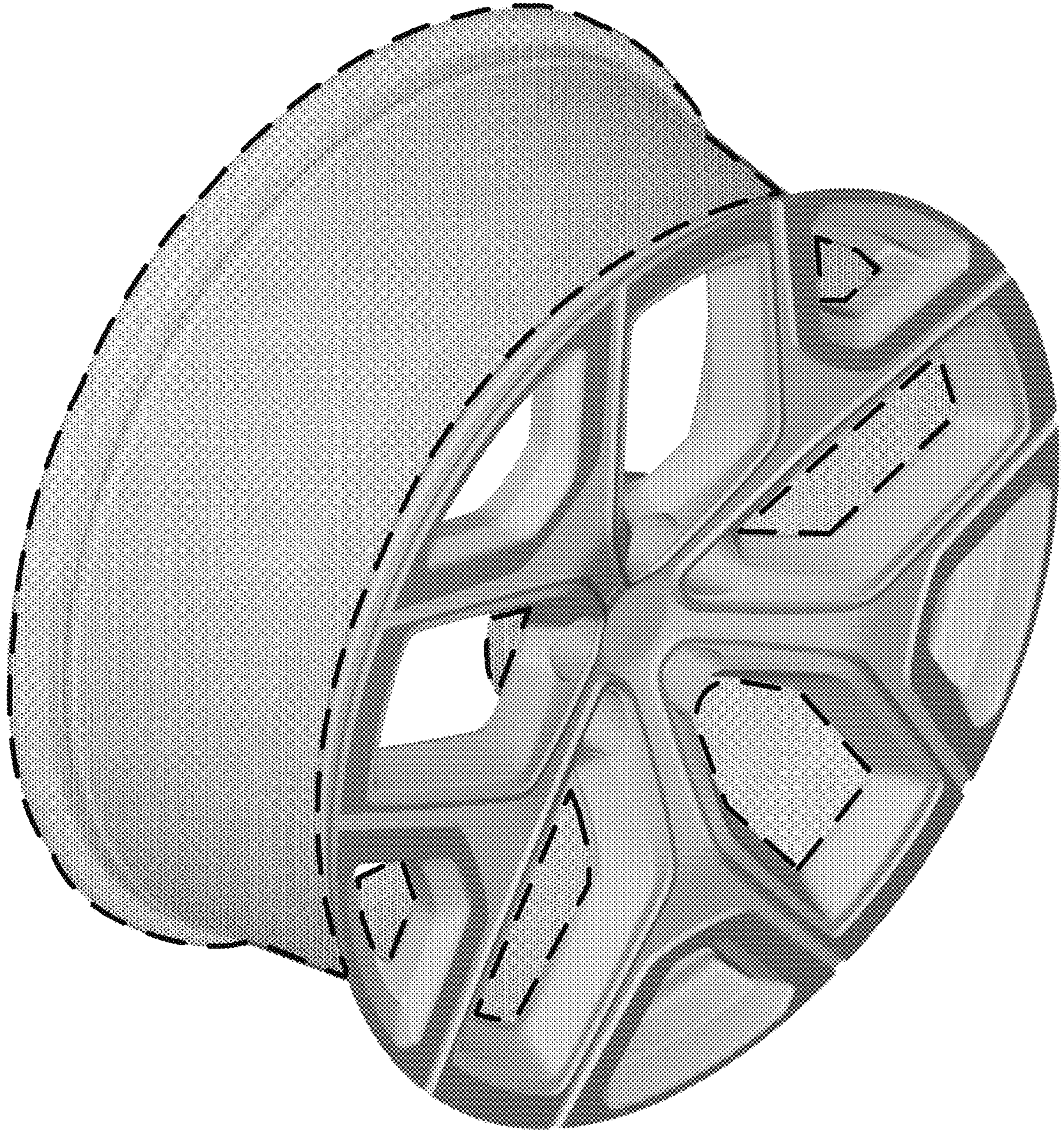


FIG. 2