



US00D916643S

(12) **United States Design Patent** (10) **Patent No.:** **US D916,643 S**
Goodrich (45) **Date of Patent:** **** Apr. 20, 2021**

(54) **VEHICLE WHEEL**

(71) Applicant: **Rivian IP Holdings, LLC**, Plymouth, MI (US)

(72) Inventor: **Stephen Goodrich**, Southfield, MI (US)

(73) Assignee: **Rivian IP Holdings, LLC**, Plymouth, MI (US)

(**) Term: **15 Years**

(21) Appl. No.: **29/733,526**

(22) Filed: **May 4, 2020**

Related U.S. Application Data

(63) Continuation of application No. 29/669,992, filed on Nov. 13, 2018, now Pat. No. Des. 883,171.

(51) **LOC (13) Cl.** **12-16**

(52) **U.S. Cl.**
USPC **D12/209**

(58) **Field of Classification Search**
USPC D12/204–213; D21/563
CPC B60B 7/00; B60B 7/02; B60B 7/04; B60B 7/01; B60B 7/06; B60B 3/02; B60B 3/04; B60B 3/06; B60B 3/10; B60B 1/00; B60B 1/08; B60B 1/10; B60B 1/12

See application file for complete search history.

(56) **References Cited**

U.S. PATENT DOCUMENTS

D494,124 S *	8/2004	Aiello	D12/211
D527,325 S *	8/2006	Nagashima	D12/209
D822,571 S *	7/2018	Park	D12/209
D848,339 S *	5/2019	Buck	D12/209
D859,272 S *	9/2019	Fischer	D12/211
D860,909 S *	9/2019	Valencia Pollex	D12/209
D874,378 S *	2/2020	Valencia Pollex	D12/211
D878,272 S *	3/2020	Buck	D12/209
D883,171 S *	5/2020	Goodrich	D12/209
D899,341 S *	10/2020	Myrberg	D12/211

* cited by examiner

Primary Examiner — Stacia A Cadmus

(74) *Attorney, Agent, or Firm* — Haley Guiliano LLP

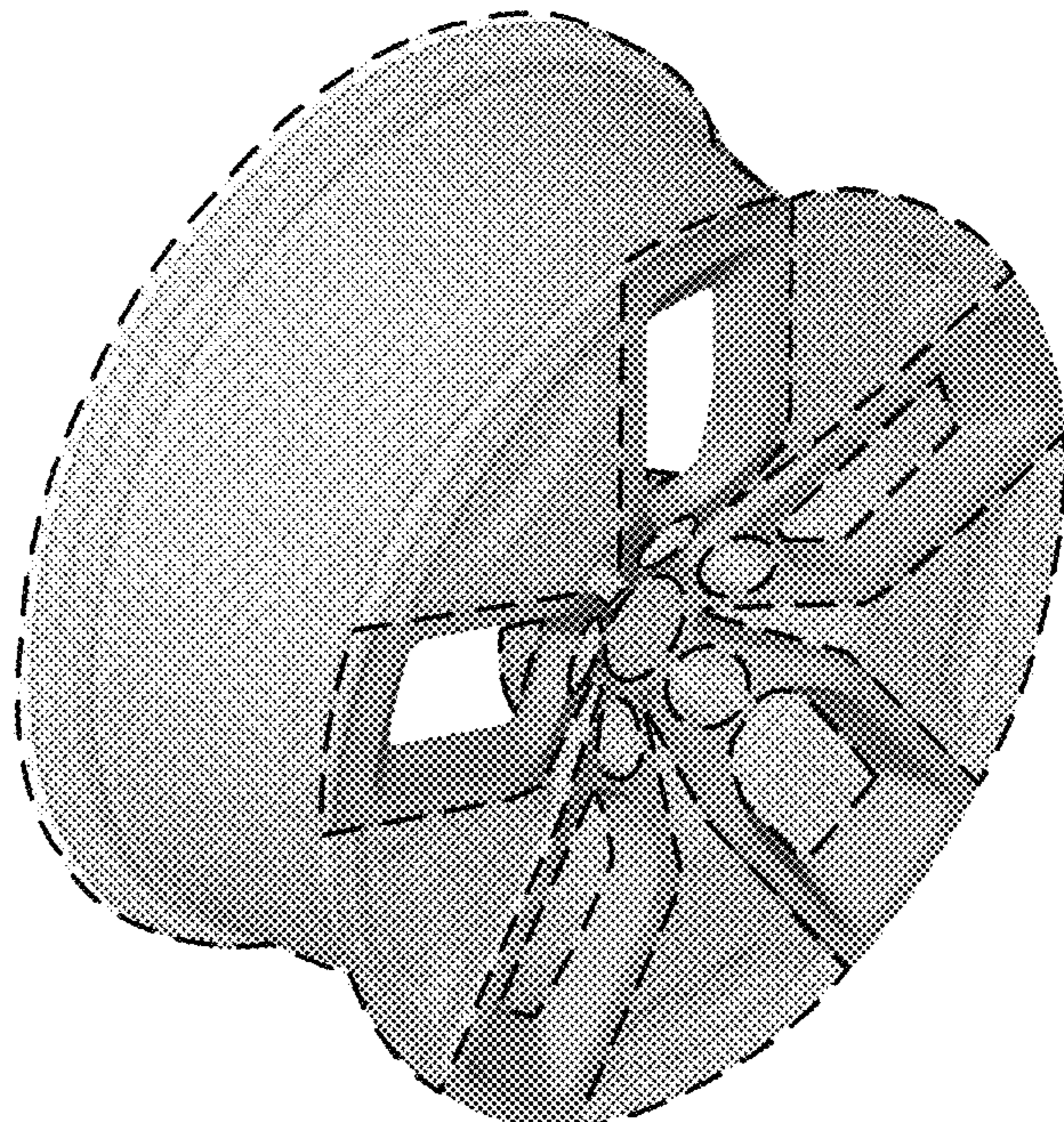
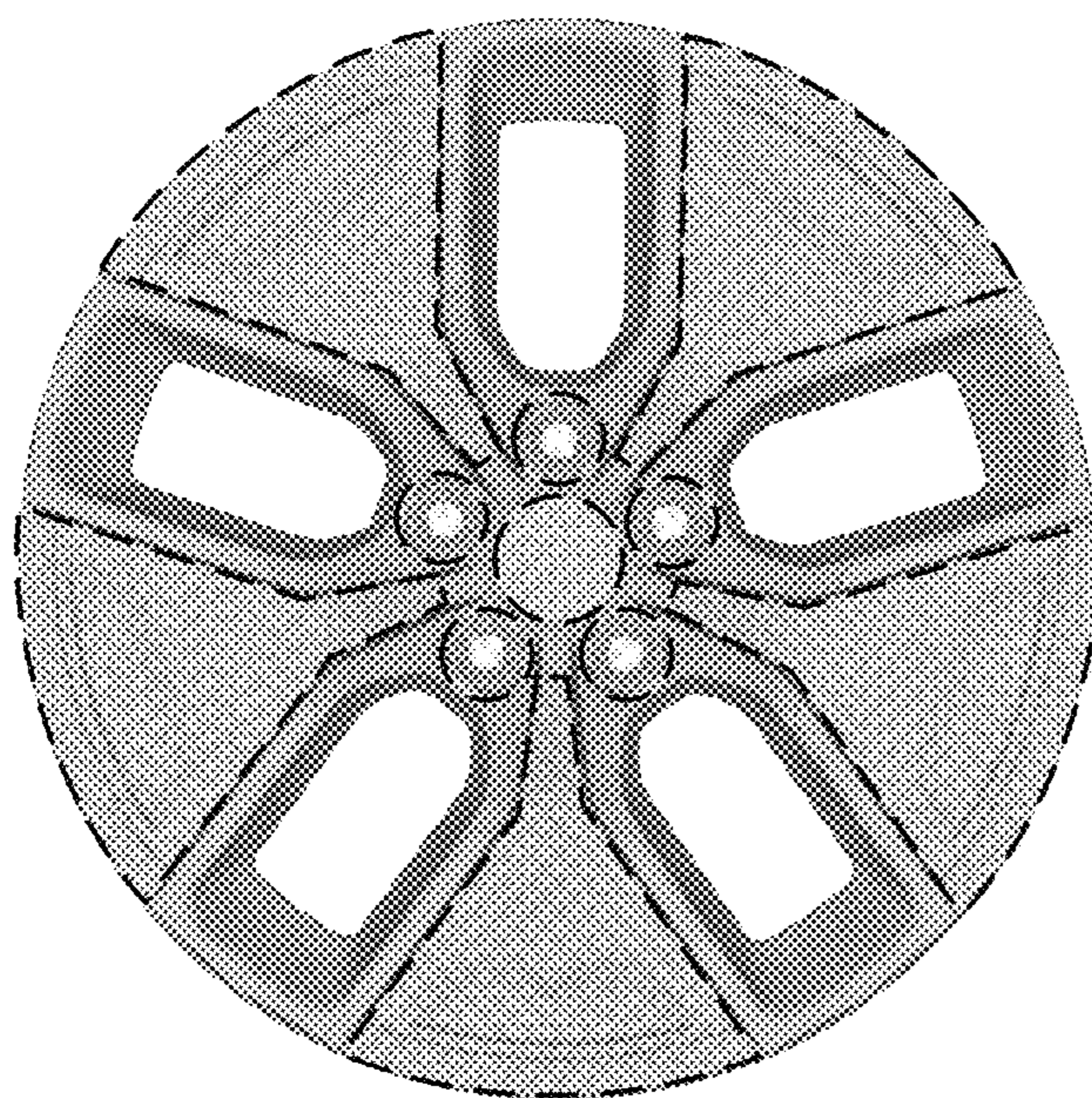
(57) **CLAIM**

The ornamental design for a vehicle wheel, as shown and described.

DESCRIPTION

FIG. 1 is a front elevational view of a vehicle wheel showing the claimed design; and, FIG. 2 is a front perspective view of the vehicle wheel. The dashed broken lines represent boundaries of the design; the dashed broken lines themselves and the areas within form no part of the claimed design.

1 Claim, 2 Drawing Sheets



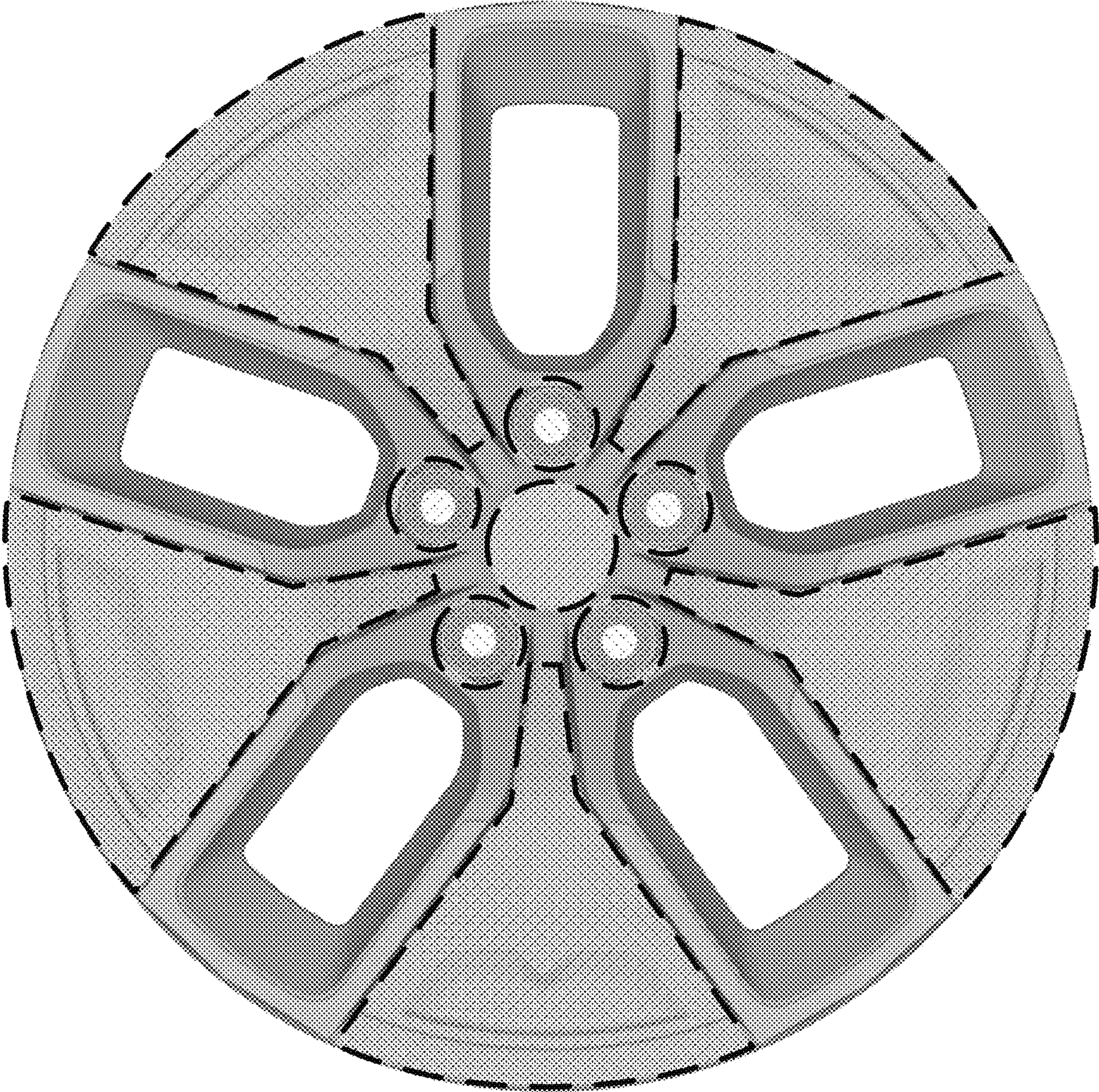


FIG. 1

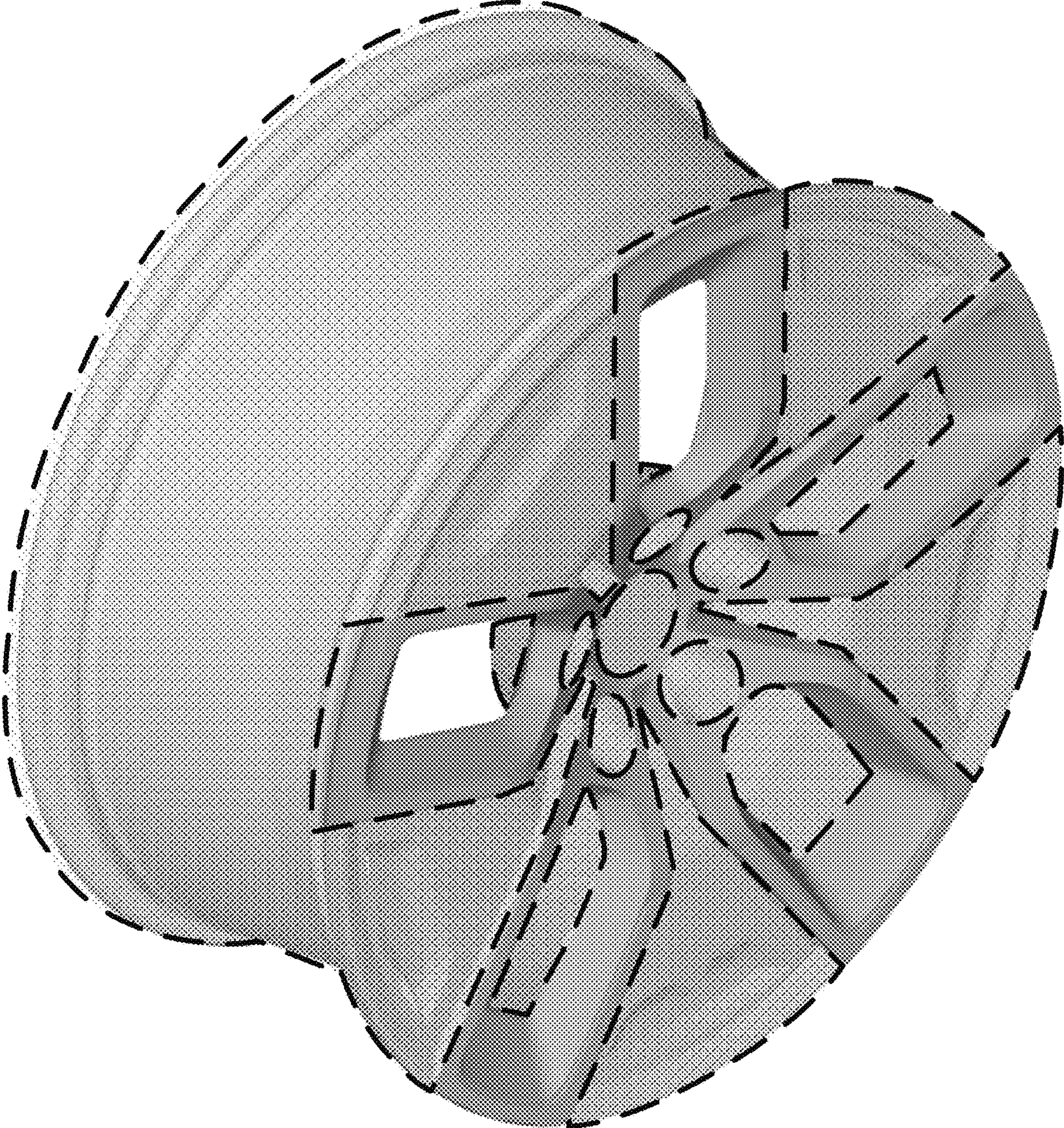


FIG. 2