



US00D916634S

(12) **United States Design Patent** (10) **Patent No.:** **US D916,634 S**
Chen (45) **Date of Patent:** **** Apr. 20, 2021**

(54) **CAR FENDER**
(71) Applicant: **Siya Chen**, Shenzhen (CN)
(72) Inventor: **Siya Chen**, Shenzhen (CN)
(**) Term: **15 Years**
(21) Appl. No.: **29/745,604**
(22) Filed: **Aug. 7, 2020**
(51) **LOC (13) Cl.** **12-16**
(52) **U.S. Cl.**
USPC **D12/184**
(58) **Field of Classification Search**
USPC D12/181, 184, 186, 196
CPC B60R 13/00; B60R 13/08; B32B 27/08;
B62D 25/02; B62D 25/16; B62D 25/18
See application file for complete search history.

D790,418 S * 6/2017 McMath D12/181
D797,623 S * 9/2017 Kim
D817,829 S * 5/2018 Behmer D12/184
D870,621 S * 12/2019 McMath D12/184
D883,157 S * 5/2020 McMath D12/184
D883,158 S * 5/2020 McMath D12/184
D897,916 S * 10/2020 Yao D12/184
2003/0072094 A1 * 4/2003 Englander B60R 1/0605
359/871

(Continued)

OTHER PUBLICATIONS

“OPALL Fit Jeep Wrangler Front Inner Fender Liners for 2007-2018 2 door & 4 door Jeep Wrangler JK JKU 4WD US Flag Logo Lightweight Aluminum Design Black.” Sep. 21, 2018. Amazon. <https://www.amazon.com/Wrangler-Fender-2007-2018-Lightweight-Aluminum/dp/B07HK4YCG2> (Year: 2018).*

(Continued)

Primary Examiner — Brett Miller
Assistant Examiner — Suzanne E Tisdell

(56) **References Cited**

U.S. PATENT DOCUMENTS

D562,747 S * 2/2008 Golden D12/184
D680,045 S * 4/2013 Hamilton D12/184
D681,523 S * 5/2013 Messale D12/184
D691,530 S * 10/2013 Song D12/184
D693,748 S * 11/2013 Mackay D12/184
D694,686 S * 12/2013 Deluy D12/186
D695,172 S * 12/2013 Kavaja D12/184
D703,596 S * 4/2014 Campbell D12/184
D711,798 S * 8/2014 O'Donnell D12/184
D721,314 S * 1/2015 Platto D12/184
D722,930 S * 2/2015 George D12/184
D740,188 S * 10/2015 Blanski D12/184
D746,742 S * 1/2016 Curie D12/184
D749,478 S * 2/2016 Battams D12/184
D762,538 S * 8/2016 Platto D12/184
9,403,557 B1 * 8/2016 Sharma B62D 25/16
D773,361 S 12/2016 Kim
D775,031 S * 12/2016 Frascella D12/184
D785,522 S * 5/2017 McMath D12/181
D787,395 S * 5/2017 Curie D12/181
D789,856 S * 6/2017 Wolff D12/196

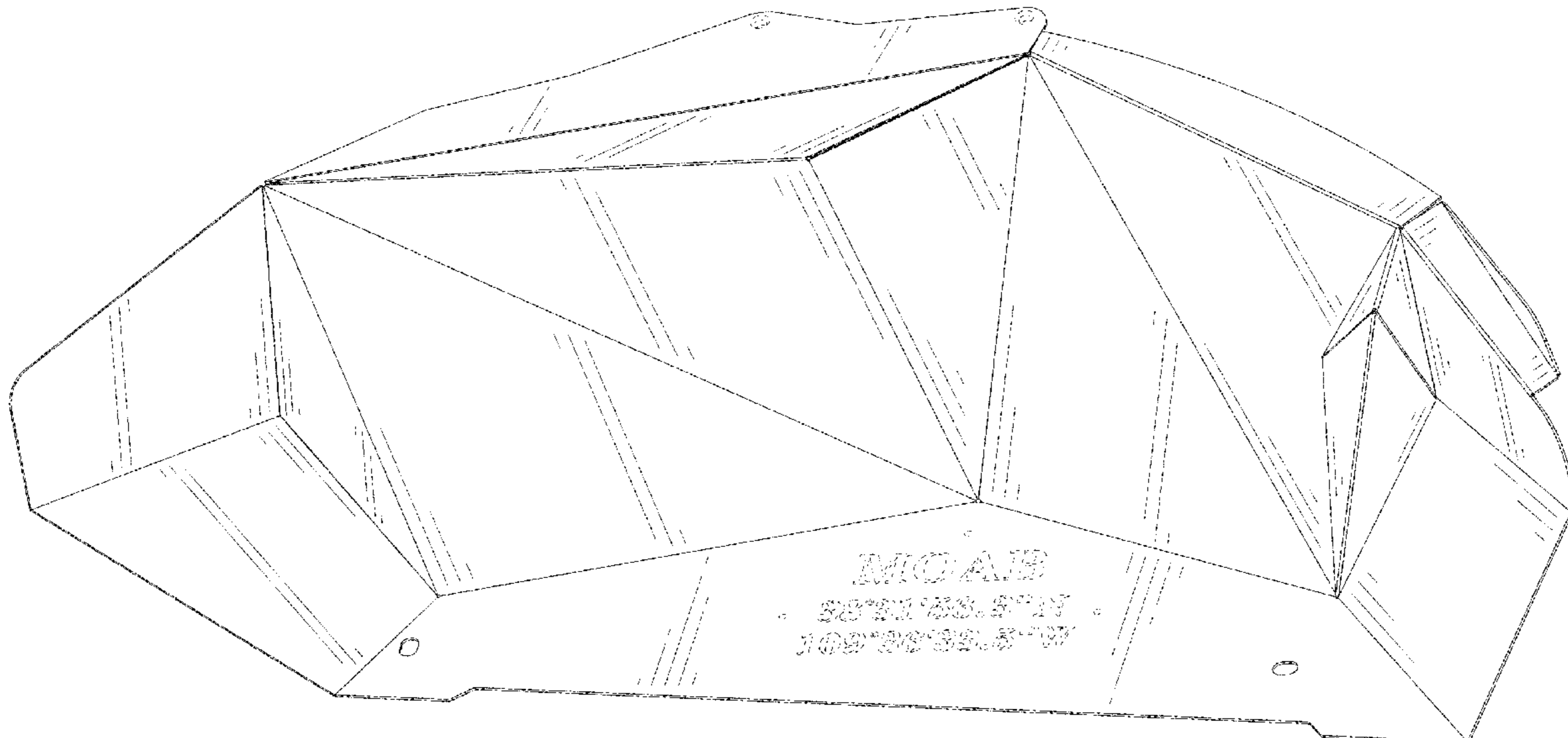
(57) **CLAIM**

The ornamental design for a car fender, as shown and described.

DESCRIPTION

FIG. 1 is a perspective view of a car fender showing my new design;
FIG. 2 is another perspective view thereof;
FIG. 3 is a front elevational view thereof;
FIG. 4 is a rear elevational view thereof;
FIG. 5 is a left side elevational view thereof;
FIG. 6 is a right side elevational view thereof;
FIG. 7 is a top plan view thereof; and,
FIG. 8 is a bottom plan view thereof.
The broken lines in the drawings depict portions of the car fender that form no part of the claimed design.

1 Claim, 8 Drawing Sheets



(56)

References Cited

U.S. PATENT DOCUMENTS

2005/0257362 A1* 11/2005 Andre B62D 29/005
29/469.5
2007/0036948 A1* 2/2007 Jaeger B60R 13/04
428/192
2007/0096454 A1* 5/2007 Iverson B62D 25/18
280/851
2007/0182212 A1* 8/2007 Roux B62D 25/161
296/198
2007/0259556 A1* 11/2007 Parkinson B62D 25/163
439/374
2007/0267885 A1* 11/2007 Thelen B60R 9/00
296/37.6
2008/0001390 A1* 1/2008 Iverson B62D 25/18
280/848
2011/0248526 A1* 10/2011 Hamasaki B62D 25/163
296/198

2016/0144902 A1* 5/2016 Avalos Sartorio B62D 25/18
280/848
2016/0207444 A1* 7/2016 Tatara B60Q 1/0023
2018/0009398 A1* 1/2018 Onishi B32B 27/065

OTHER PUBLICATIONS

Jeep Inner Fenders (07-18 Wrangler JK). Before Oct. 30, 2020. Rough Country, <https://www.roughcountry.com/jeep-inner-fenders-set-10511g.html> (Year: 2020).*

Hooke Road Rear Inner MOAB Fender Liners (18-21 Jeep Wrangler JL). Accessed Jan. 29, 2021. Hooke Road, <https://www.ubox-offroad.com/products/jeep-jl-rear-inner-fender-liners-steel-for-jeep-wrangler-jl-bxg519> (Year: 2021).*

OFFROAD Front Inner Fender Liners Accessed Jan. 29, 2021. Hill Country Jeep & 4x4. <http://www.hillcountryjeep4x4.com/omuoffroad-front-inner-fender-liners-for-2007-2017-jeep-wrangler-jk-4wd-five-star-logo-lightweight-aluminum-design-black/> (Year: 2021).*

* cited by examiner

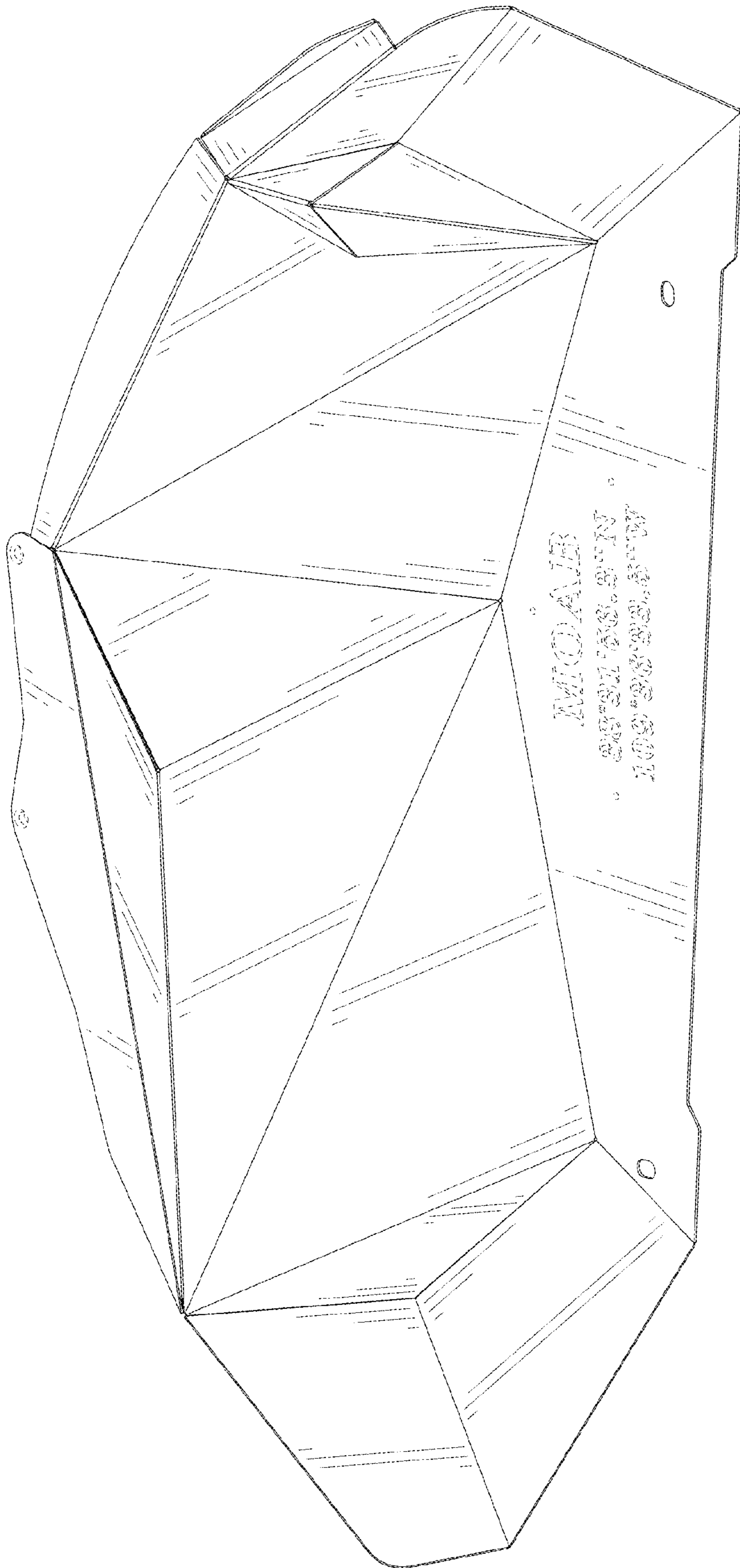


FIG. 1

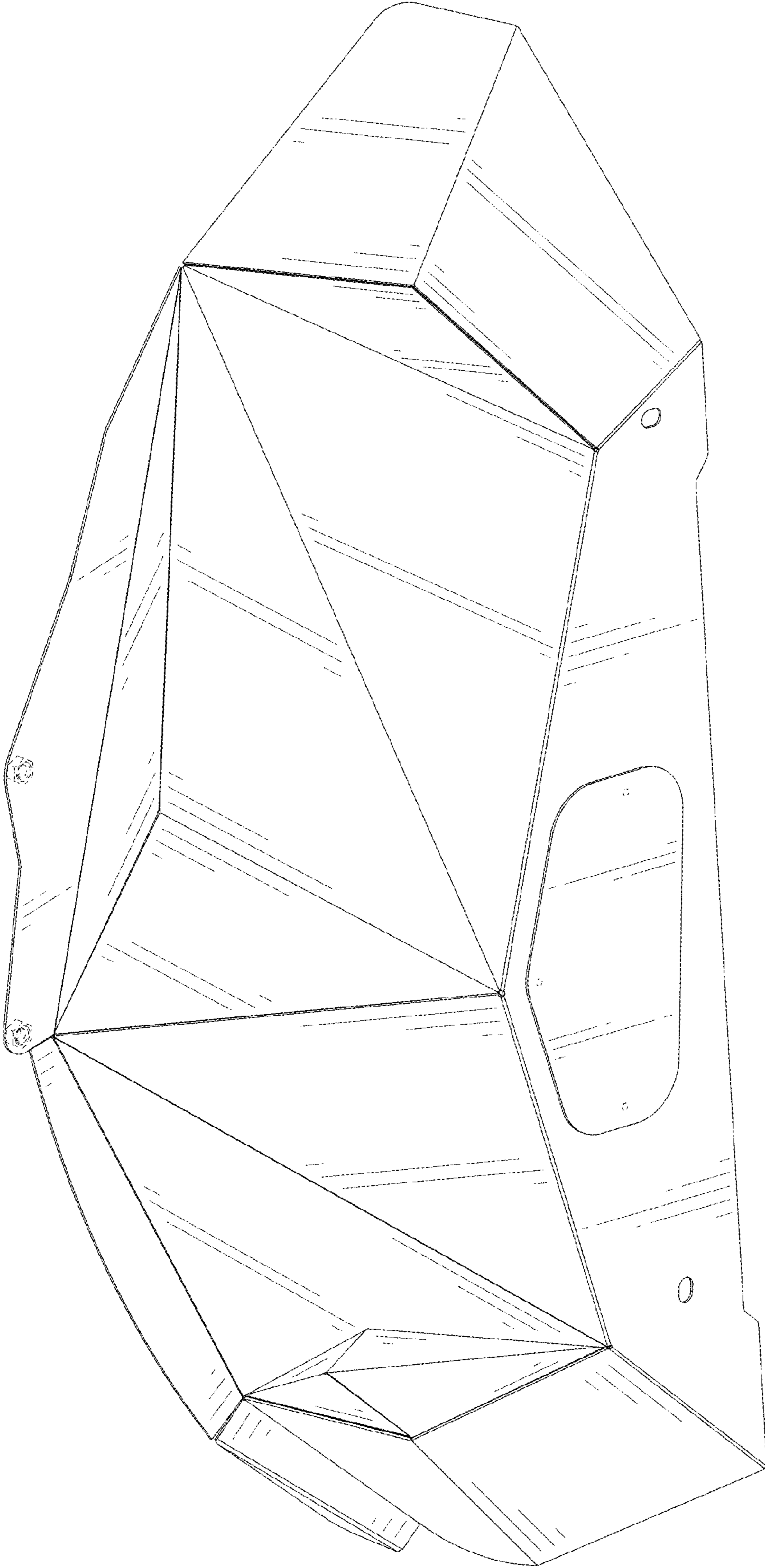


FIG. 2

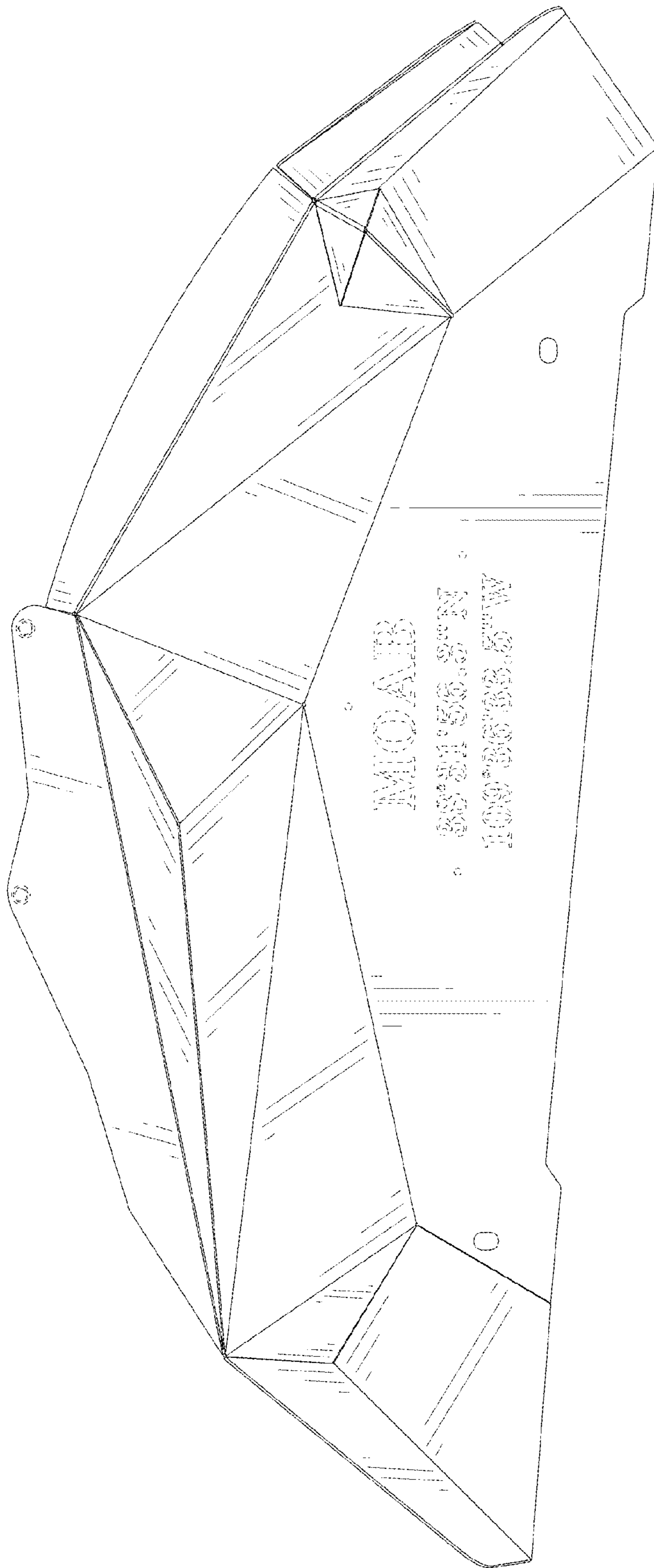


FIG. 3

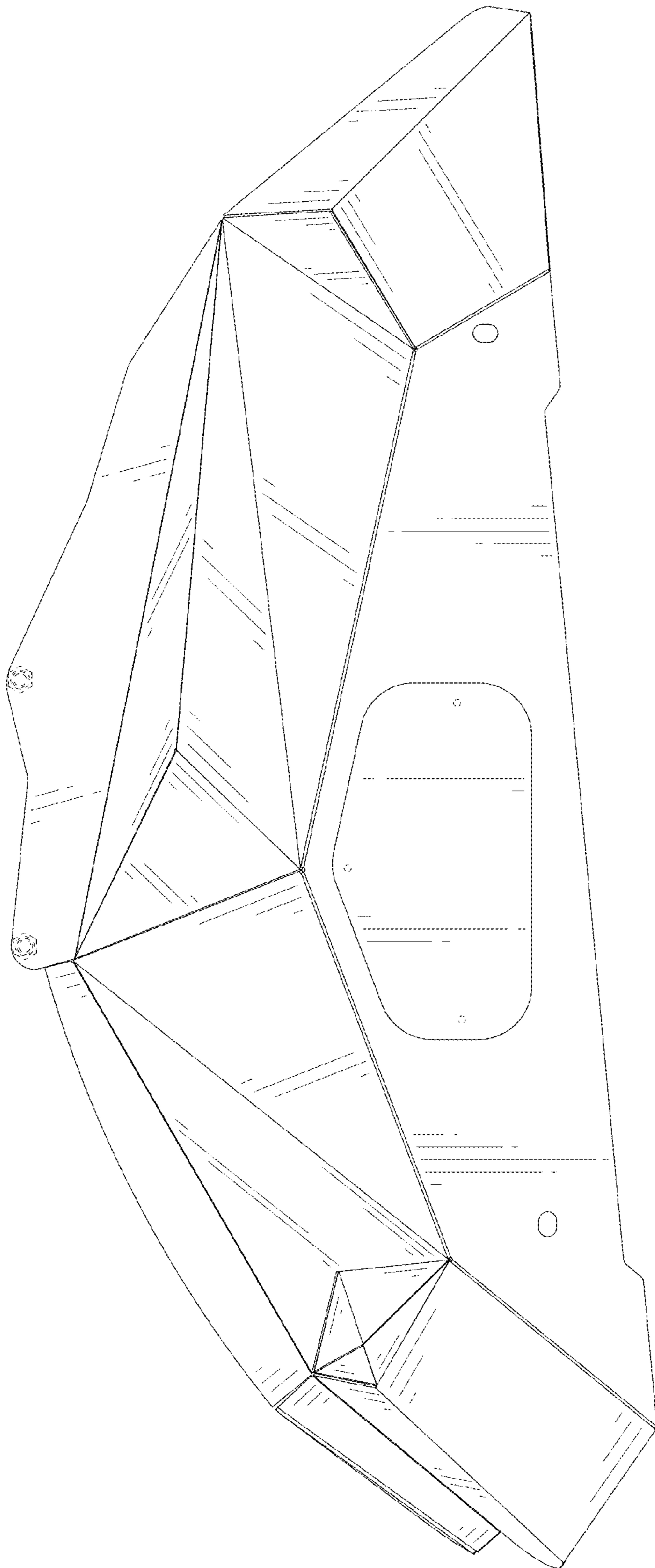


FIG. 4

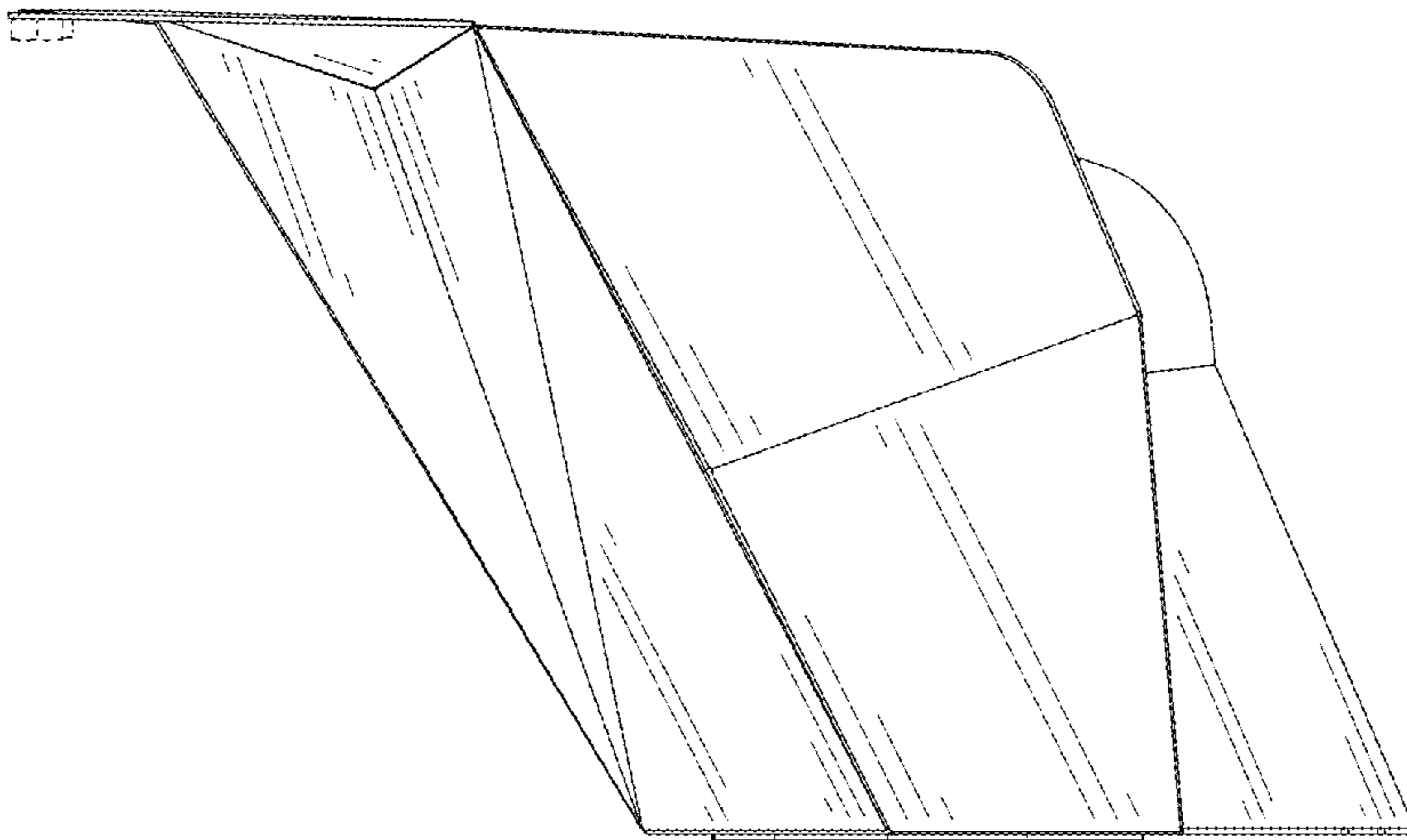


FIG. 5

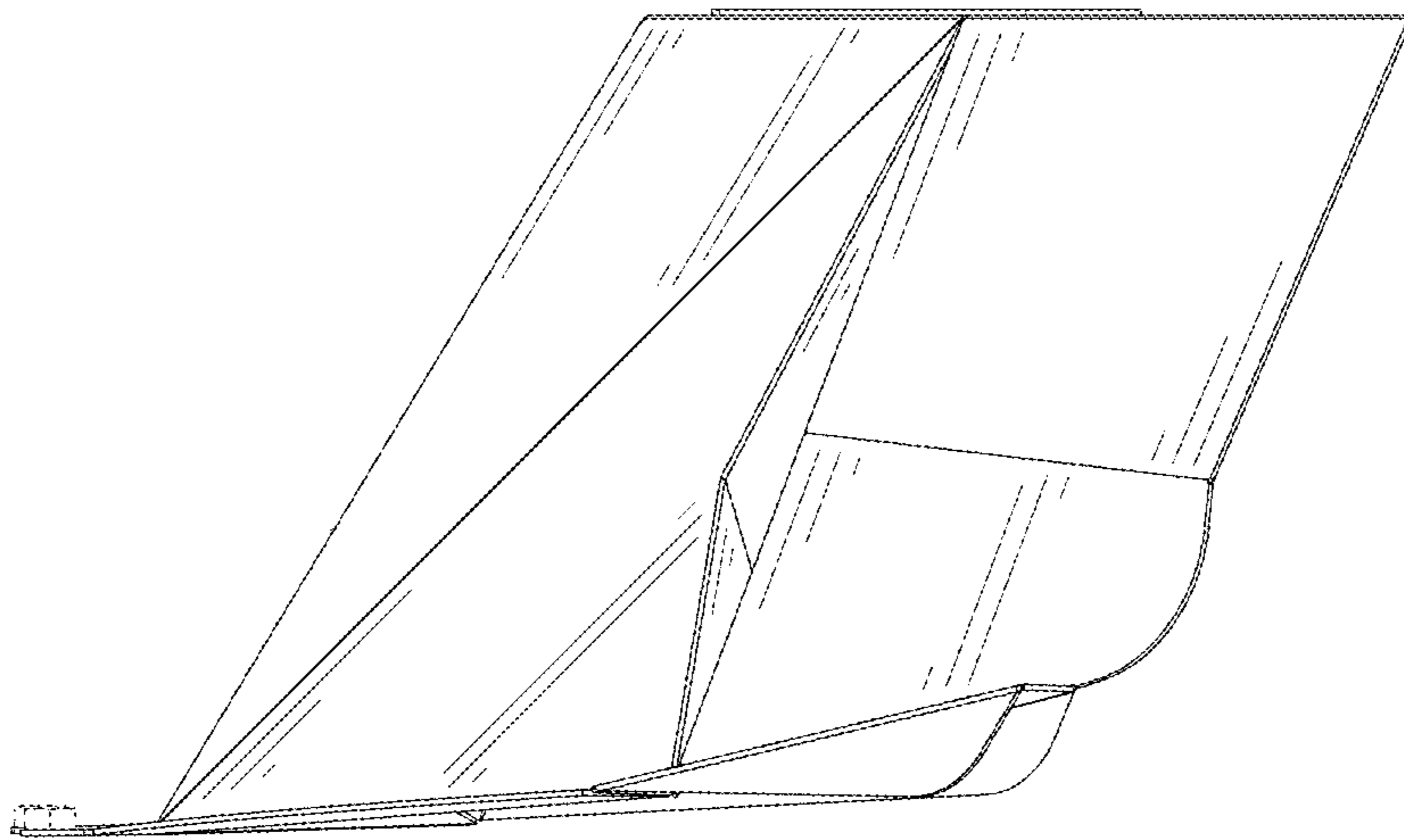


FIG. 6

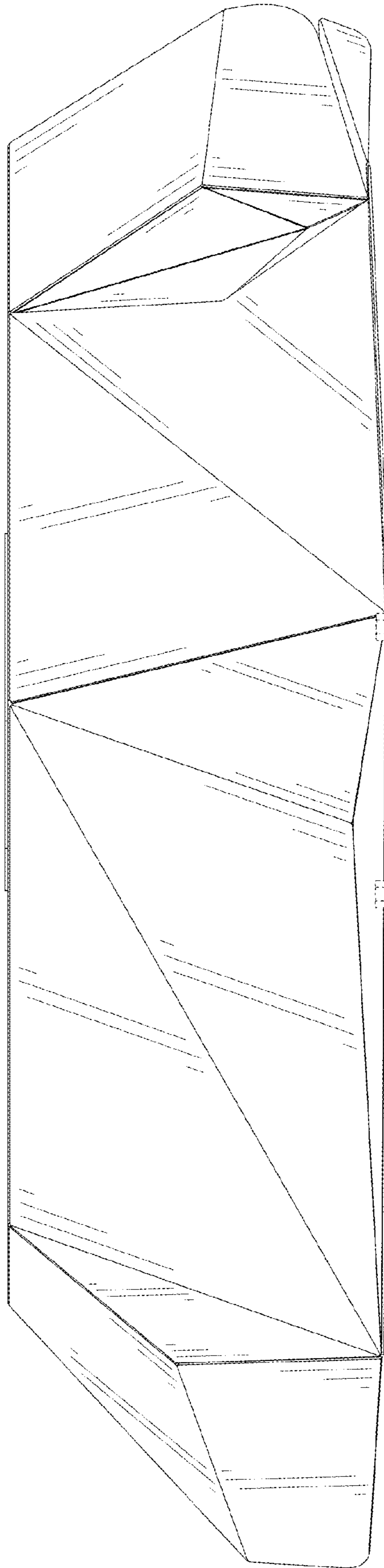


FIG. 7

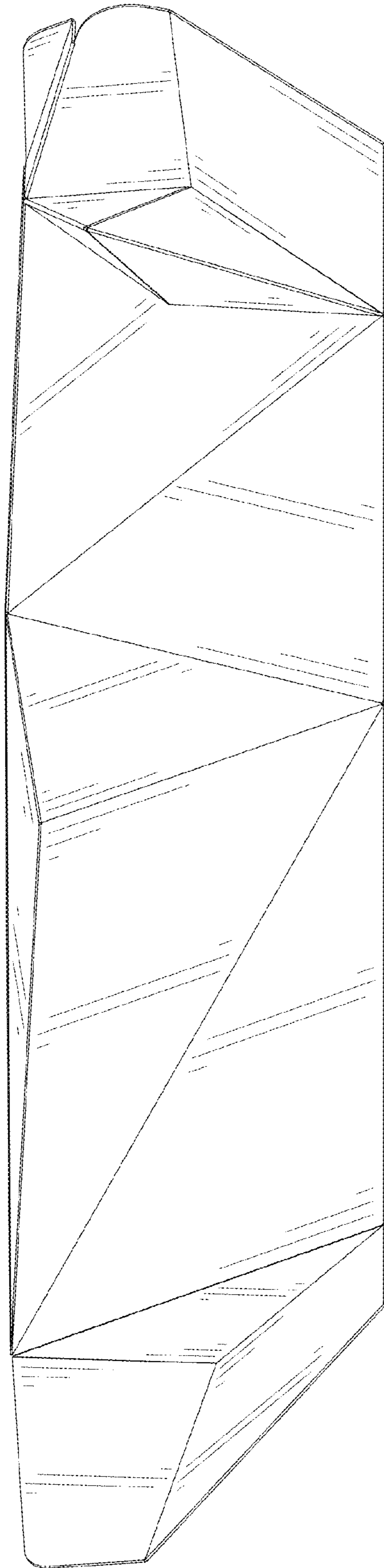


FIG. 8