



US00D916633S

(12) **United States Design Patent** (10) **Patent No.:** **US D916,633 S**
Kaneko et al. (45) **Date of Patent:** **** Apr. 20, 2021**

(54) **MOTOR WITH CONTROLLER FOR POWER STEERING**

FOREIGN PATENT DOCUMENTS

(71) Applicant: **NSK LTD.**, Tokyo (JP)

JP D1391073 S 6/2010
JP 2015-054630 A 3/2015
JP 3213707 U 11/2017

(72) Inventors: **Noboru Kaneko**, Tokyo (JP); **Yuri Shimizu**, Tokyo (JP)

OTHER PUBLICATIONS

(73) Assignee: **NSK LTD.**, Tokyo (JP)

Nexteer Automotive. "Column EPS with Modular Power Pack." YouTube, published Nov. 29, 2016 (Retrieved from the Internet Apr. 15, 2020). Internet URL: <https://www.youtube.com/watch?v=_WQk4J2uvhc&feature=emb_logo> (Year: 2016).*

(**) Term: **15 Years**

(Continued)

(21) Appl. No.: **29/667,835**

(22) Filed: **Oct. 25, 2018**

Primary Examiner — Rachel A. Voorhies

(30) **Foreign Application Priority Data**

(74) *Attorney, Agent, or Firm* — Sughrue Mion, PLLC

Apr. 26, 2018 (JP) 2018-009329

(51) **LOC (13) Cl.** **12-16**

(52) **U.S. Cl.**
USPC **D12/177**

(58) **Field of Classification Search**
USPC D12/86, 163–164, 169, 173, 175, 177, D12/184, 196
CPC B62D 5/0406; B62D 5/0409; B62D 1/16; B62D 5/0412; B62D 1/189; H05K 1/141
See application file for complete search history.

(57) **CLAIM**

The ornamental design for a motor with controller for power steering, as shown and described.

(56) **References Cited**

DESCRIPTION

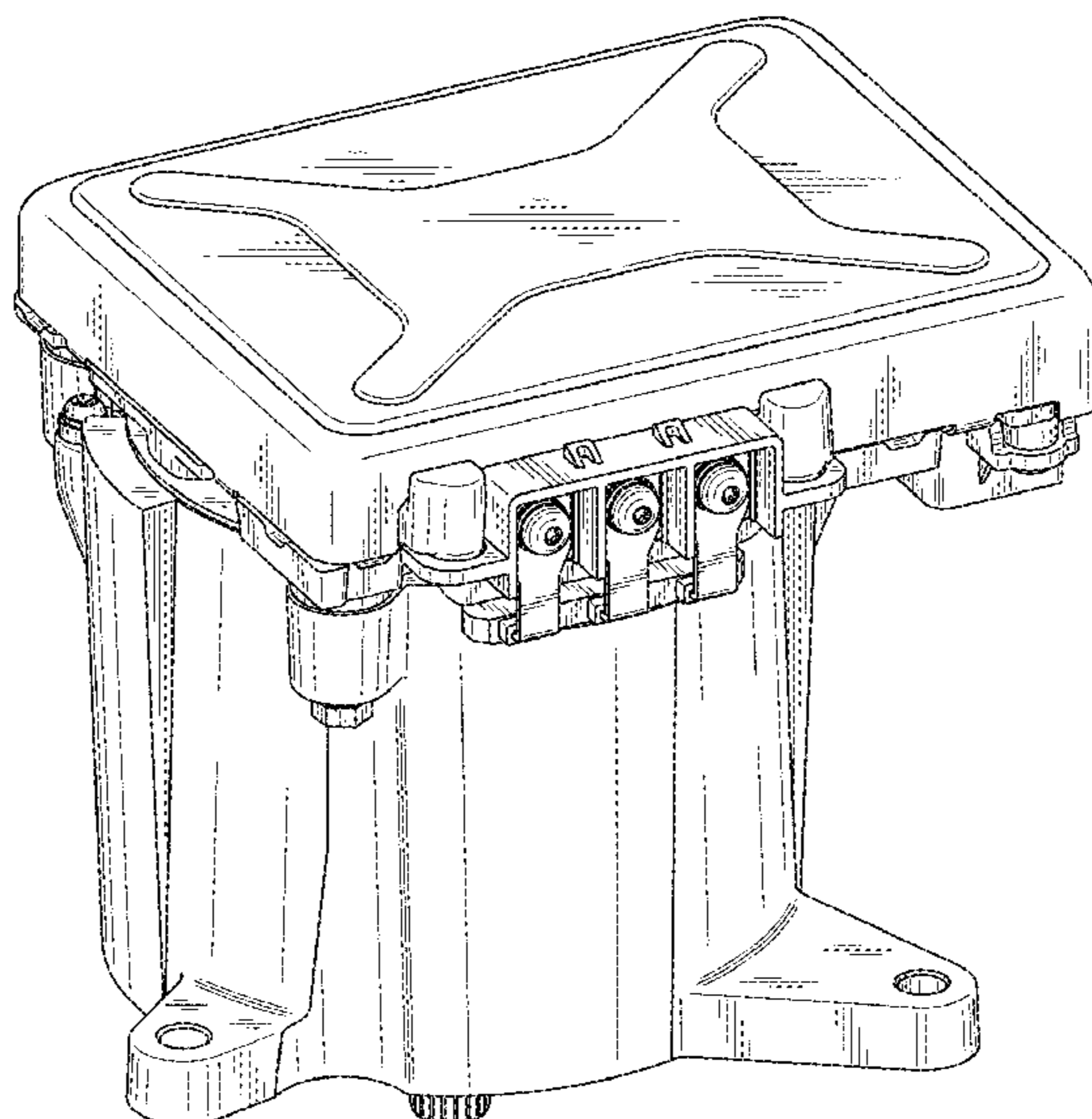
U.S. PATENT DOCUMENTS

D47,898 S * 9/1915 Scaife D12/177
D49,038 S * 5/1916 Scaife D12/177
D589,858 S * 4/2009 Nagase D12/177
D599,263 S * 9/2009 Nagase D12/177
D602,411 S * 10/2009 Nagase D12/177
D772,125 S * 11/2016 Huang B62D 5/0406
D12/177
10,315,686 B2 * 6/2019 Wada H02K 5/02
D853,913 S * 7/2019 Sunaga H02K 11/33
D12/177

FIG. 1 is a front, top and left-side perspective view of a motor with controller for power steering showing our new design;
FIG. 2 is rear, top and left-side perspective view thereof;
FIG. 3 is a front, bottom and right-side perspective view thereof;
FIG. 4 is a rear, bottom and left-side perspective view thereof;
FIG. 5 is a front elevational view thereof;
FIG. 6 is a rear elevational view thereof
FIG. 7 is a left-side elevational view thereof;
FIG. 8 is a right-side elevational view thereof;
FIG. 9 is a top plan view thereof; and,
FIG. 10 is a bottom plan view thereof.
The broken lines in the drawings illustrate portions of the motor with controller for power steering that form no part of the claimed design.

(Continued)

1 Claim, 7 Drawing Sheets



(56)

References Cited

U.S. PATENT DOCUMENTS

10,566,706 B2 * 2/2020 Asada H01R 12/55
 10,597,069 B2 * 3/2020 Koike B62D 5/0406
 10,654,517 B2 * 5/2020 Fujimoto B62D 5/0421
 10,668,943 B2 * 6/2020 Fujimoto B62D 6/10
 2012/0098391 A1 * 4/2012 Yamasaki B62D 5/0406
 310/68 D
 2012/0286605 A1 * 11/2012 Miyachi B62D 5/0406
 310/71
 2013/0300235 A1 * 11/2013 Akutsu B62D 5/0406
 310/71
 2016/0036296 A1 * 2/2016 Kabune H02K 11/33
 180/446
 2017/0373451 A1 * 12/2017 Asada H02K 11/33
 2018/0141583 A1 * 5/2018 Wada B62D 5/0406
 2018/0244301 A1 * 8/2018 Fujimoto H02K 9/22
 2019/0199176 A1 * 6/2019 Kanazawa H02K 5/225

2019/0248406 A1 * 8/2019 Kaneko H02K 5/15
 2019/0264751 A1 * 8/2019 Oosawa F16H 57/12
 2019/0273416 A1 * 9/2019 Kizu H02K 3/04
 2019/0276072 A1 * 9/2019 Morimoto H01G 9/26
 2019/0300047 A1 * 10/2019 Hamada B62D 5/0475
 2020/0156696 A1 * 5/2020 Hara H02K 11/33
 2020/0212767 A1 * 7/2020 Yatsugi H05K 7/209

OTHER PUBLICATIONS

Morrison, Brandon. "2009 Chevy Malibu electric power steering motor and torque sensor replacement." YouTube, published Apr. 22, 2018 (Retrieved from the Internet Apr. 15, 2020). Internet URL: <<https://www.youtube.com/watch?v=P6oqoLEdPYo>> (Year: 2018).
 Decision to Grant Design Registration dated Jan. 8, 2019 issued by the Japanese Patent Office in counterpart application No. 2018-009329.

* cited by examiner

FIG. 1

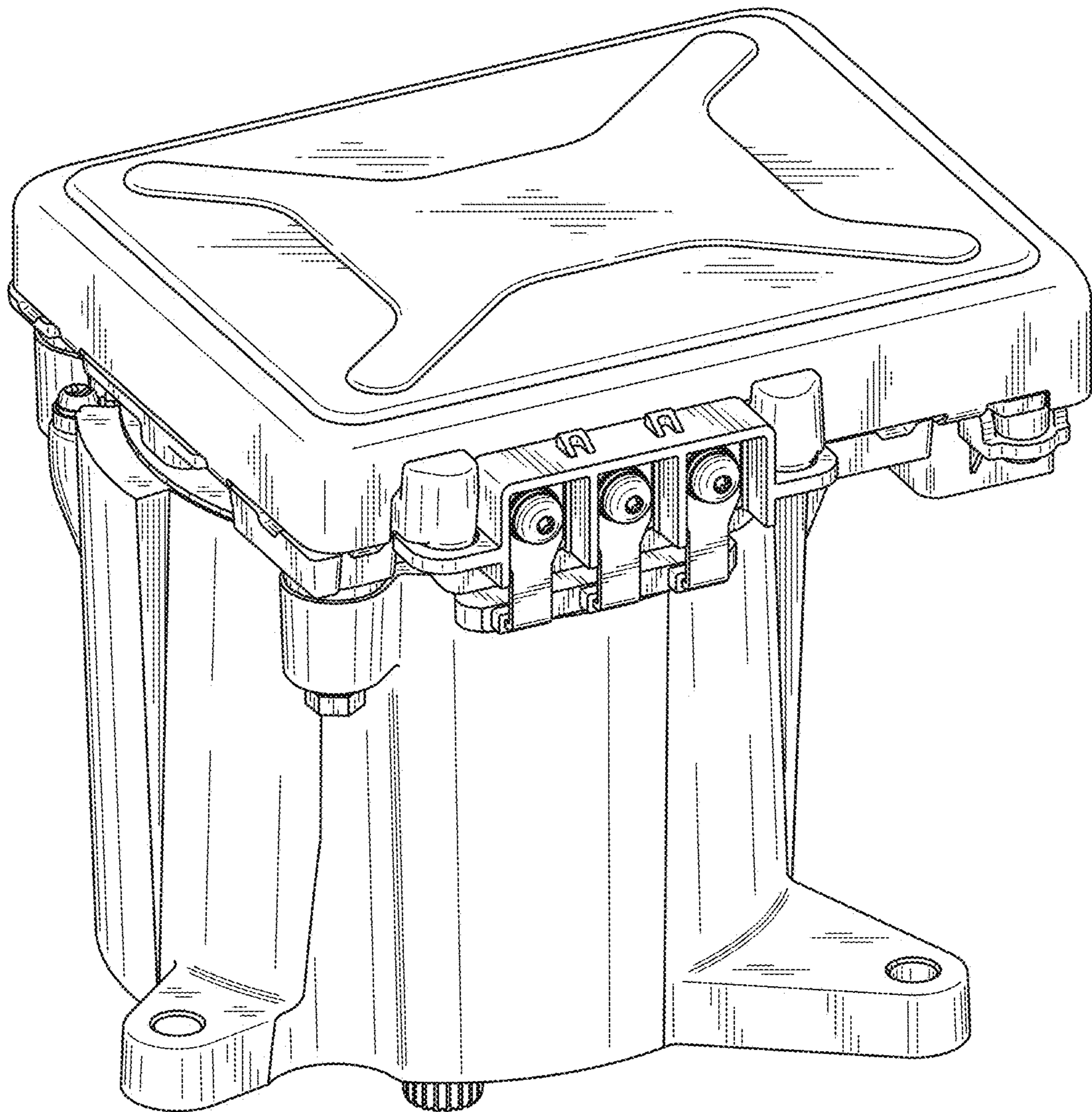


FIG. 2

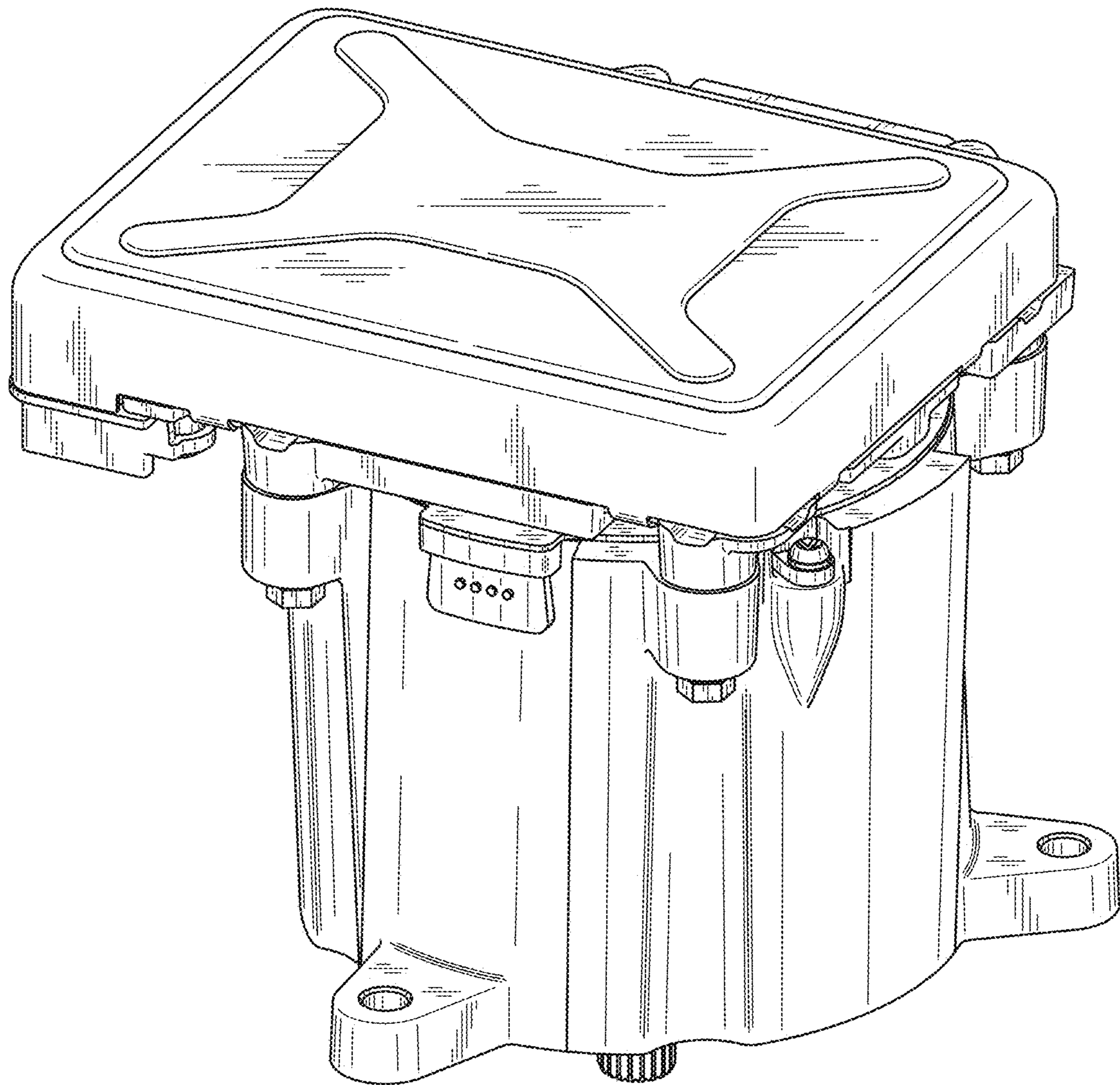


FIG. 3

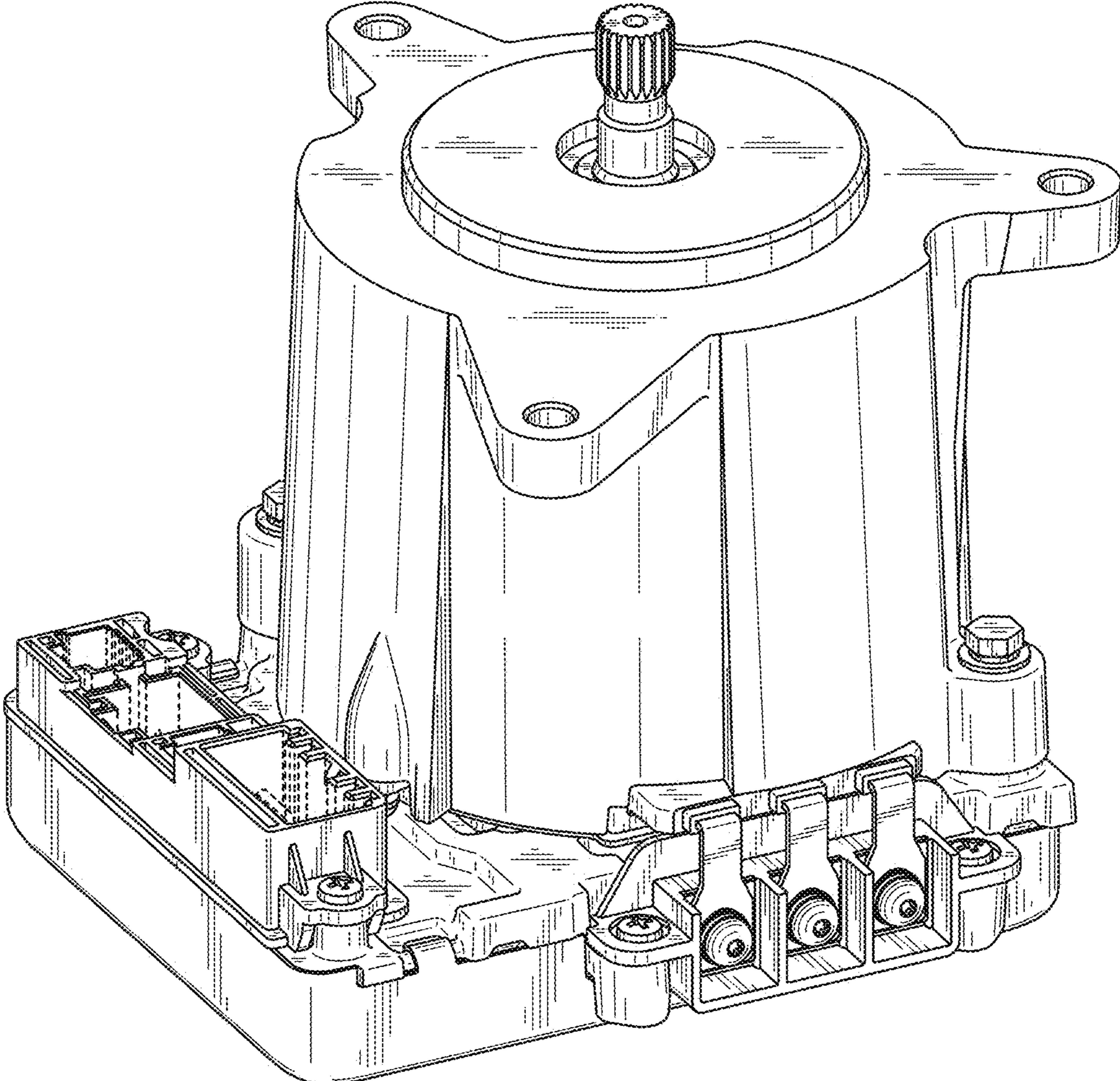


FIG. 4

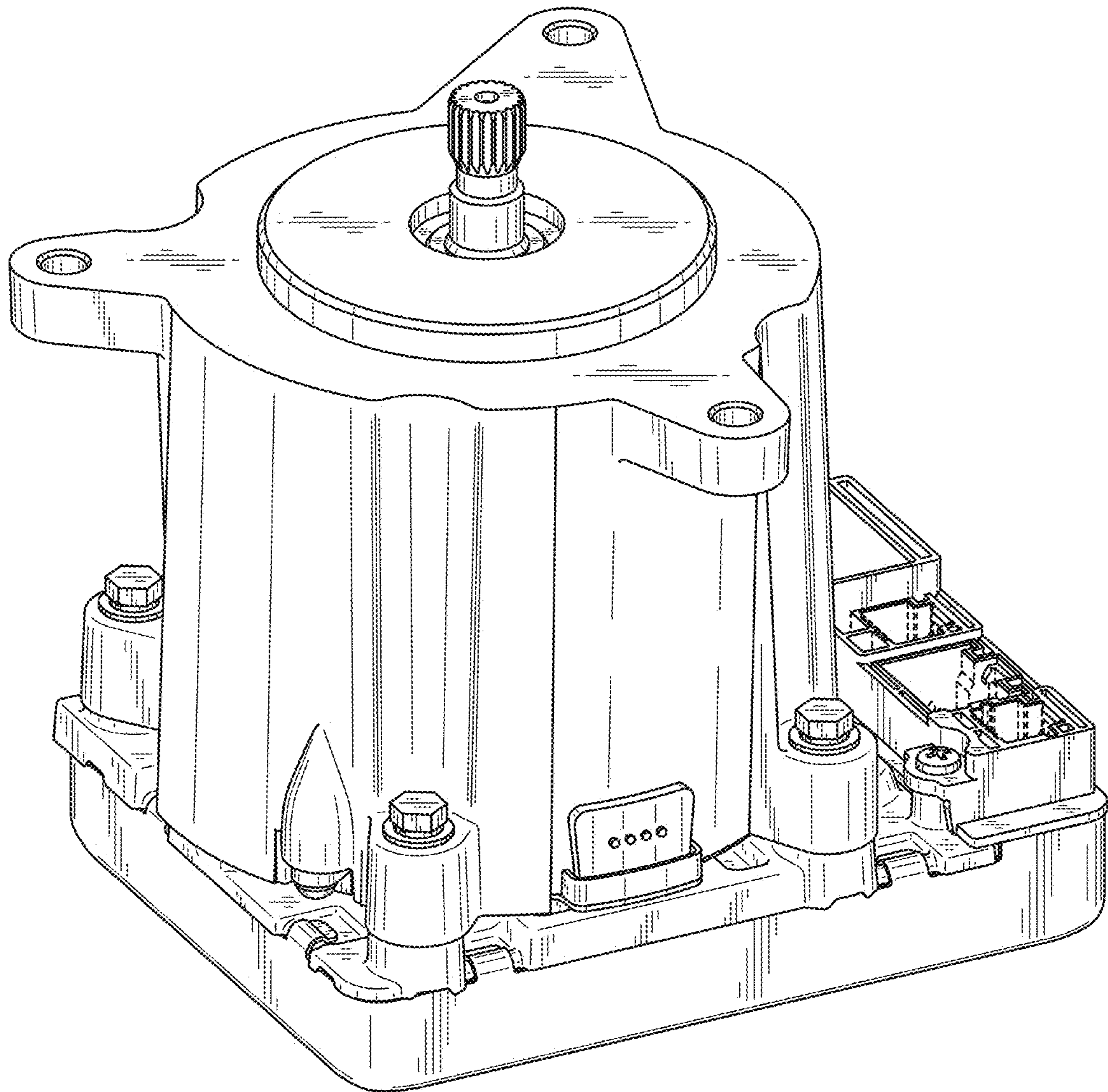


FIG. 5

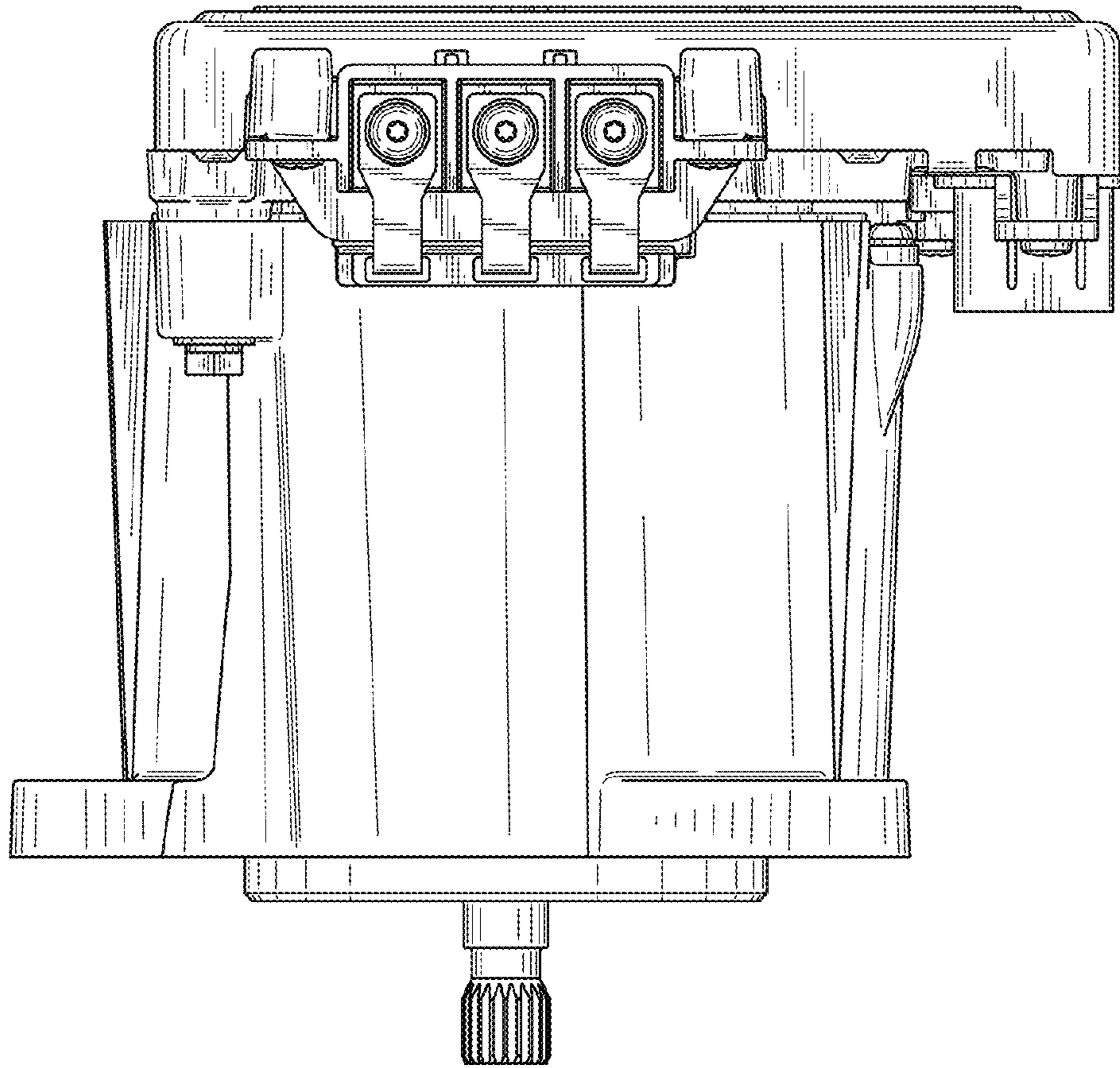


FIG. 6

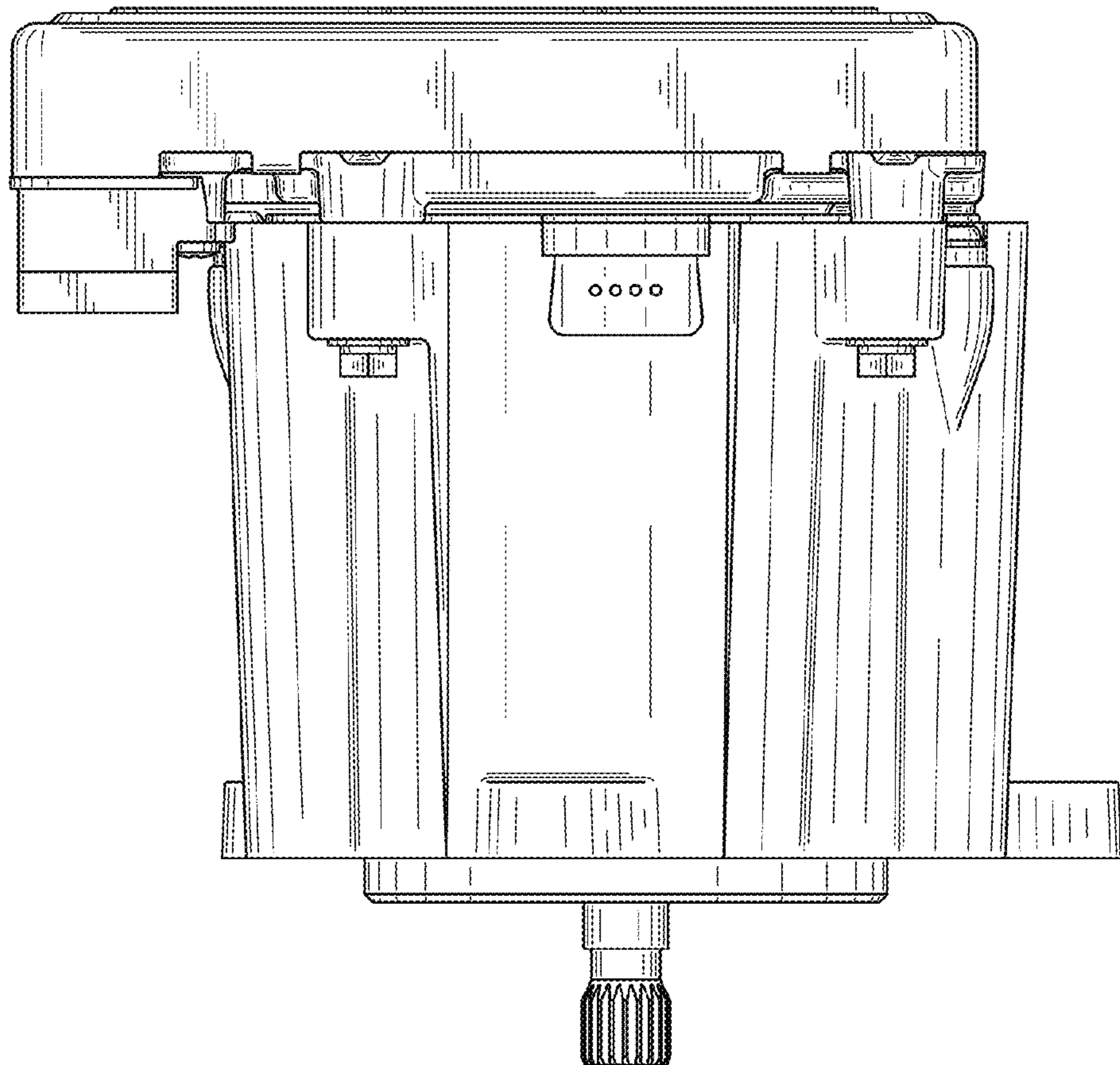


FIG. 7

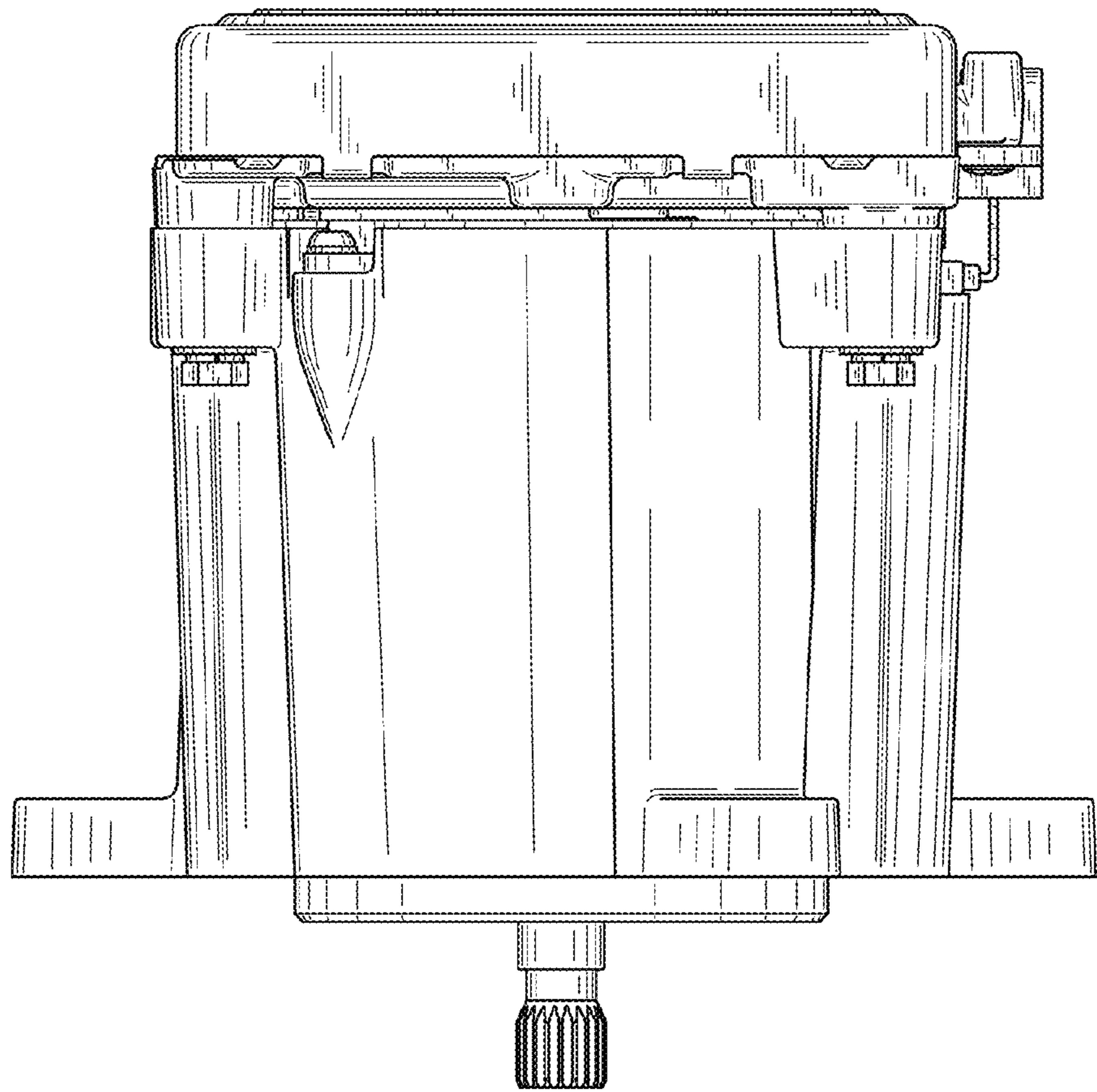


FIG. 8

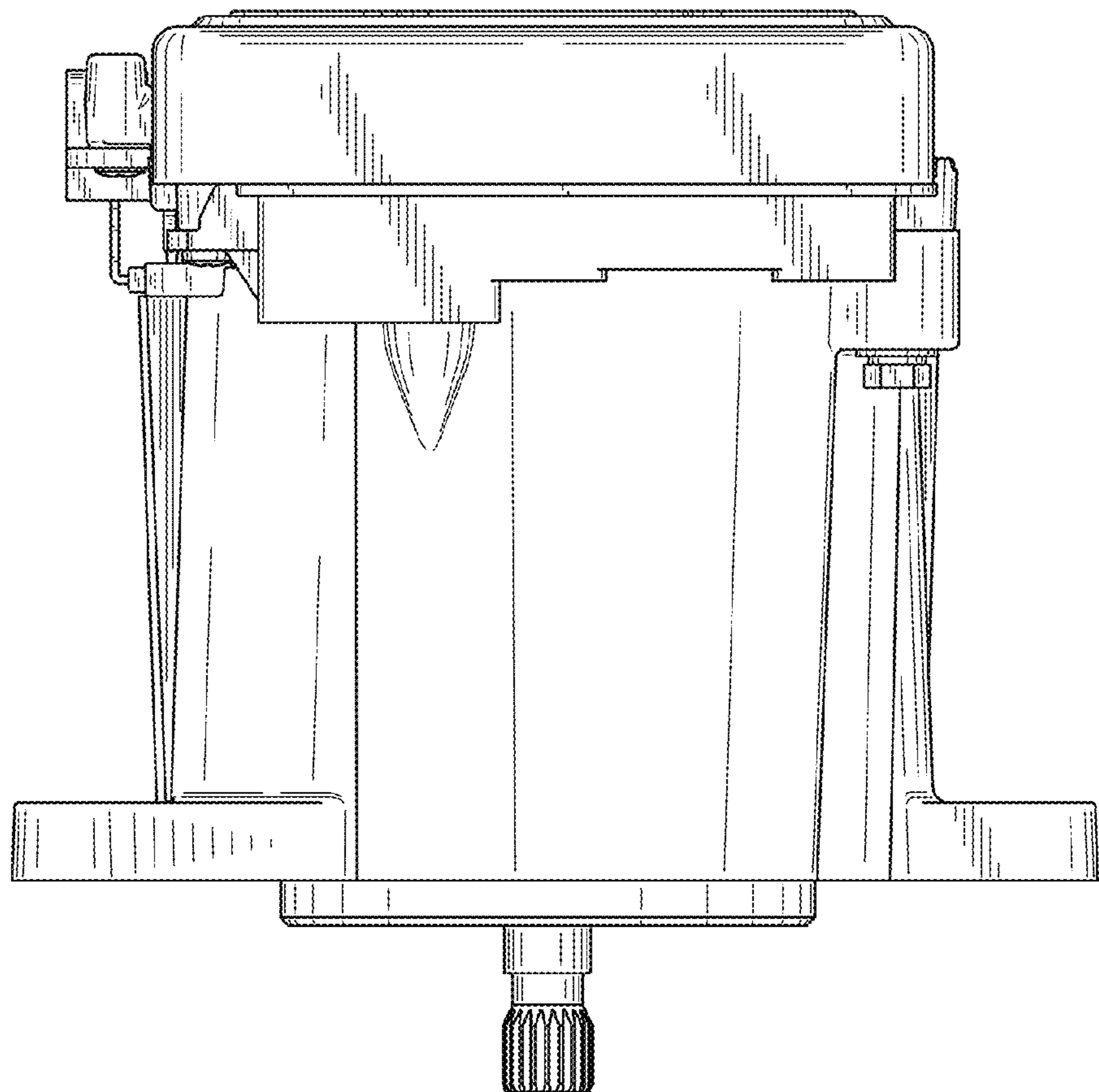


FIG. 9

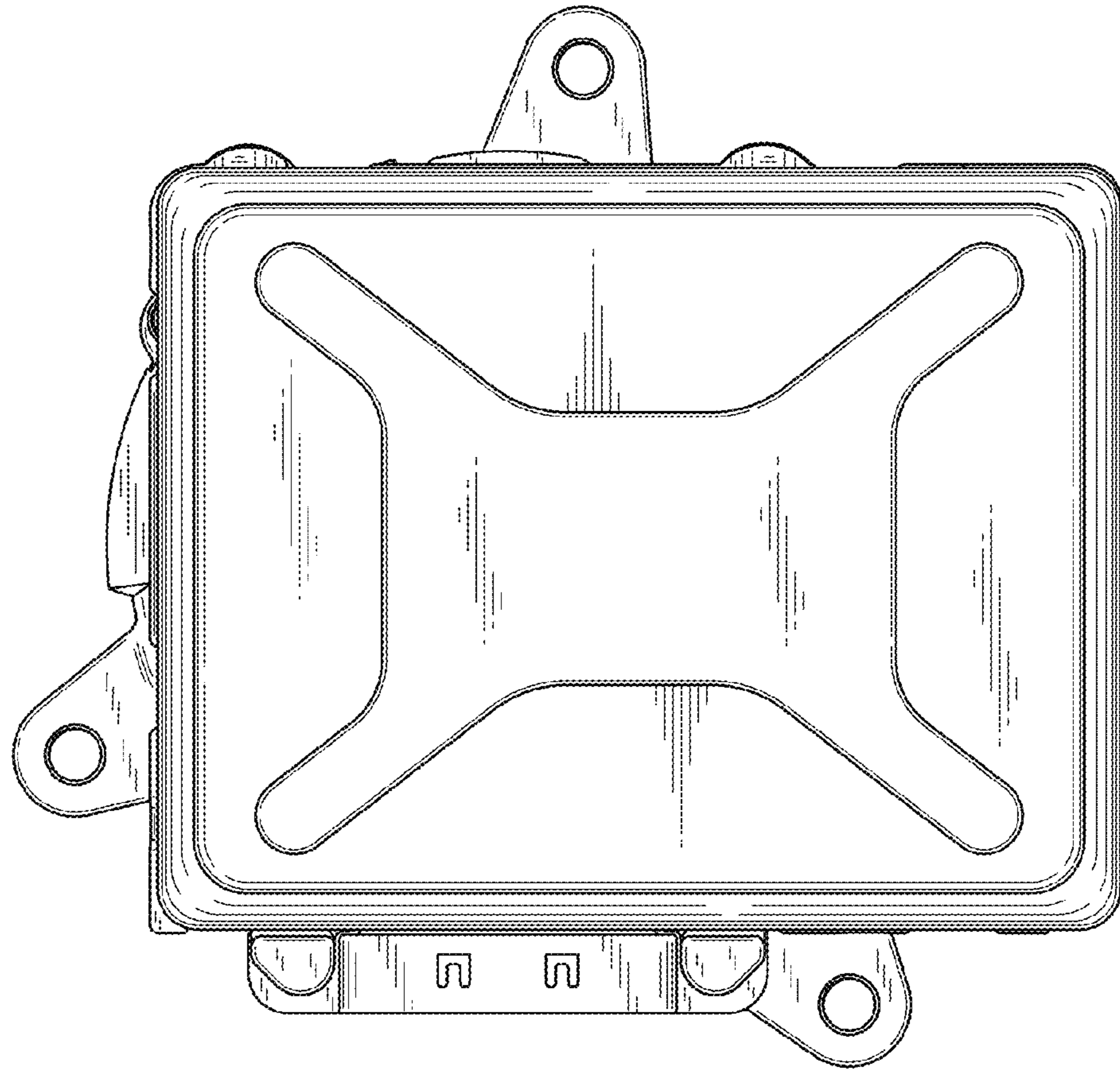


FIG. 10

