



US00D916632S

(12) **United States Design Patent**
Henrikson

(10) **Patent No.:** **US D916,632 S**
(45) **Date of Patent:** **** Apr. 20, 2021**

(54) **PEDAL APPARATUS**

(71) Applicant: **KA Group AG**, Zurich (CH)

(72) Inventor: **Jesse L. Henrikson**, Conroe, TX (US)

(73) Assignee: **KA Group AG**, Zürich (CH)

(**) Term: **15 Years**

(21) Appl. No.: **29/659,703**

(22) Filed: **Aug. 10, 2018**

(51) **LOC (13) Cl.** **12-16**

(52) **U.S. Cl.**

USPC **D12/174**

(58) **Field of Classification Search**

USPC D12/121, 125, 174, 203

CPC G05G 1/506; Y10T 74/20888

See application file for complete search history.

(56) **References Cited**

U.S. PATENT DOCUMENTS

D67,951 S * 8/1925 Erskine D12/203
D339,612 S * 9/1993 Carter D14/419
6,138,802 A 10/2000 McFarlane et al.
6,151,984 A 11/2000 Johansson et al.

(Continued)

FOREIGN PATENT DOCUMENTS

AU 2004207396 B2 6/2009
AU 2009213100 B2 4/2012

(Continued)

OTHER PUBLICATIONS

International Search Report for International Patent Application No. PCT/US2013/054997 dated Oct. 24, 2013; 2 pages.

(Continued)

Primary Examiner — Karen S Acker

Assistant Examiner — Steven B Reinholdt, Jr.

(74) *Attorney, Agent, or Firm* — Howard & Howard Attorneys PLLC

(57) **CLAIM**

The ornamental design for a pedal apparatus, as shown and described.

DESCRIPTION

FIG. 1 is a front-right perspective view of a pedal apparatus comprising a brake pedal pad and a park brake pad.

FIG. 2 is a front-left perspective view of the pedal apparatus of FIG. 1.

FIG. 3 is a left elevational view of the pedal apparatus of FIG. 1.

FIG. 4 is a right elevational view of the pedal apparatus of FIG. 1.

FIG. 5 is a front elevational view of the pedal apparatus of FIG. 1.

FIG. 6 is a rear elevational view of the pedal apparatus of FIG. 1.

FIG. 7 is a bottom elevational view of the pedal apparatus of FIG. 1.

FIG. 8 is a top elevational view of the pedal apparatus of FIG. 1.

FIG. 9 is a front-right perspective view of the brake pedal pad and the park brake pad of the pedal apparatus of FIG. 1 detached from the article in order to show a larger detailed view of the parts.

FIG. 10 is a front-left perspective view thereof.

FIG. 11 is a left elevational view thereof.

FIG. 12 is a right elevational view thereof.

FIG. 13 is a front elevational view thereof.

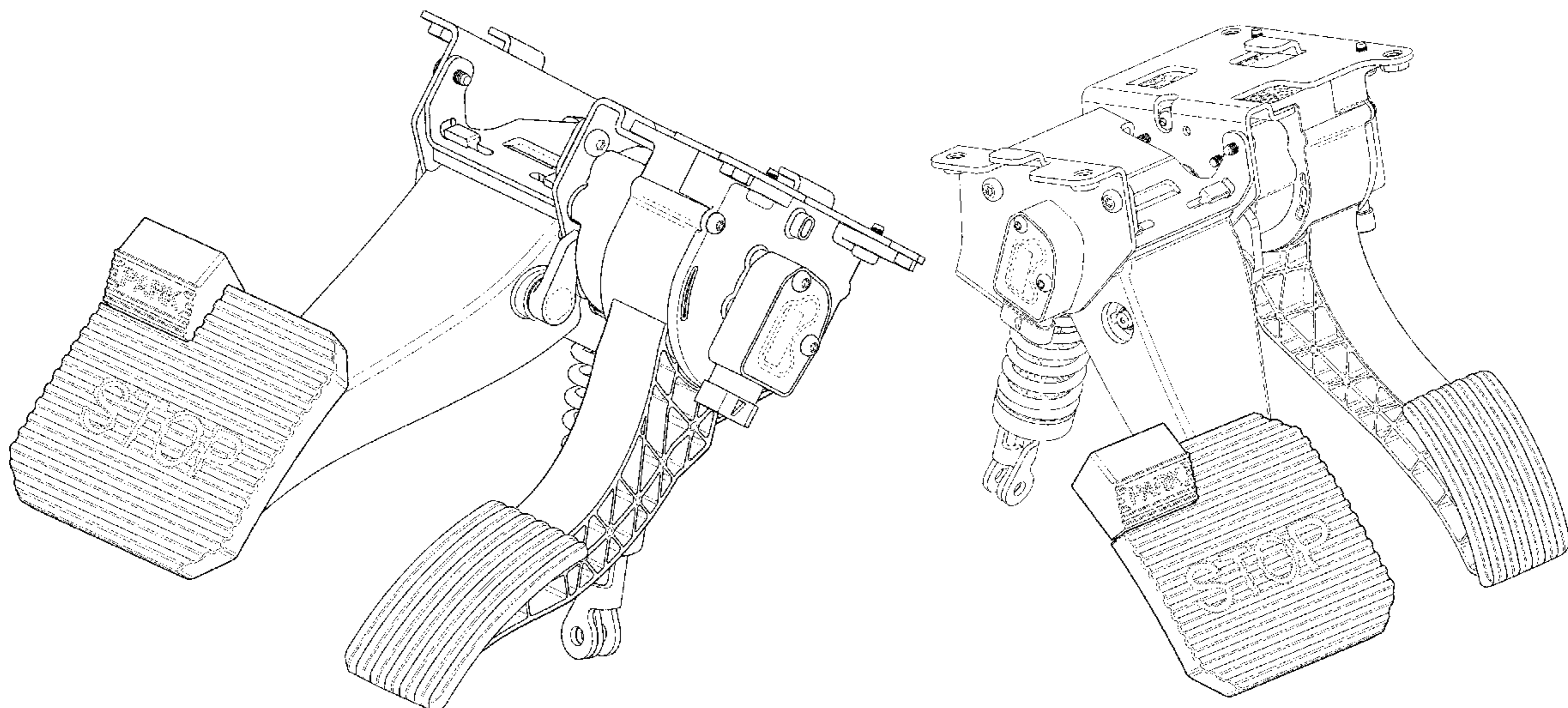
FIG. 14 is a rear elevational view thereof.

FIG. 15 is a bottom elevational view thereof; and,

FIG. 16 is a top elevational view thereof.

The broken lines are included for the purpose of illustrating portions of the pedal apparatus that form no part of the claimed design.

1 Claim, 16 Drawing Sheets



(56)

References Cited

U.S. PATENT DOCUMENTS

6,173,625	B1	1/2001	McFarlane et al.	
6,223,865	B1	5/2001	Lang et al.	
6,295,890	B2	10/2001	Rixon et al.	
6,298,745	B1	10/2001	Rixon et al.	
6,298,748	B1	10/2001	Rixon et al.	
6,415,681	B1	7/2002	Porter	
6,629,472	B2	10/2003	Scheidling et al.	
6,662,677	B2	12/2003	Rixon et al.	
6,698,309	B2	3/2004	Rixon et al.	
6,918,316	B2	7/2005	Johansson et al.	
7,191,680	B2 *	3/2007	Rixon	G05G 1/405 74/512
D540,227	S *	4/2007	Doucet	D12/174
D626,901	S *	11/2010	Fallot	D12/174
D629,342	S *	12/2010	Fallot	D12/174
8,205,523	B2	6/2012	Stewart et al.	
D819,726	S *	6/2018	Belitz	D17/20
2002/0189909	A1	12/2002	Buckley et al.	
2005/0016320	A1	1/2005	Porter	
2006/0230869	A1	10/2006	Cosby et al.	
2008/0276752	A1 *	11/2008	Mo	G05G 1/506 74/560
2009/0145260	A1 *	6/2009	Stewart	B60T 7/06 74/539
2009/0223319	A1 *	9/2009	Choi	G05G 1/36 74/512
2011/0023652	A1	2/2011	Cosby et al.	
2012/0006149	A1 *	1/2012	Galea	G05G 1/327 74/560
2013/0133471	A1 *	5/2013	Tchernyi	G05G 1/40 74/560
2015/0241904	A1 *	8/2015	Hayashihara	G05G 1/36 74/560

FOREIGN PATENT DOCUMENTS

DE	19726188	A1	1/1998
EM	1588226	B1	3/2007
ES	2281782	T3	10/2007

JP	S59134035	A	8/1984
JP	S63121556	A	5/1988
JP	2006520286	A	9/2006
KR	20050109470	A	11/2005
PT	1588226	E	5/2007
SE	526594	C2	10/2005
WO	2004068254	A9	9/2004

OTHER PUBLICATIONS

Machine-assisted English language translation, and abstract of German Patent Publication No. DE 197 26 188 A1 extracted from www.espacenet.com on Aug. 12, 2015; 9 pages.

English language abstract only of Japanese Patent Publication No. JP S63121556 A extracted from www.espacenet.com on Oct. 26, 2018; 10 pages.

English language abstract only of Japanese Patent Publication No. JP S59134035 A extracted from www.espacenet.com on Oct. 26, 2018; 5 pages.

Machine-assisted English language translation, and abstract from corresponding German Patent Publication No. DE 10 2004 059320 A1 for Swedish Patent Publication No. SE 526594 C2 extracted from www.espacenet.com on Nov. 23, 2015; 15 pages.

English language abstract not found for Spanish Patent Publication No. ES 2 281 782 T3 however, see English language equivalent U.S. Patent Publication No. 2006/0230869 A1. Original document extracted from www.espacenet.com on Nov. 2, 2018.

English language abstract not found for Japanese Patent Publication No. JP 2006520286 A; however, see English language equivalent U.S. Patent Publication No. 2006/0230869 A1. Original document extracted from www.espacenet.com on Oct. 26, 2018.

English language abstract only of Korean Patent Publication No. 2005 0109470 A extracted from www.espacenet.com on Nov. 13, 2018; 2 pages.

English language abstract not found for Portugese Patent Publication No. PT 1588226 E; however, see English language equivalent U.S. Patent Publication No. 2006/0230869 A1. Original document extracted from www.espacenet.com on Oct. 26, 2018.

* cited by examiner

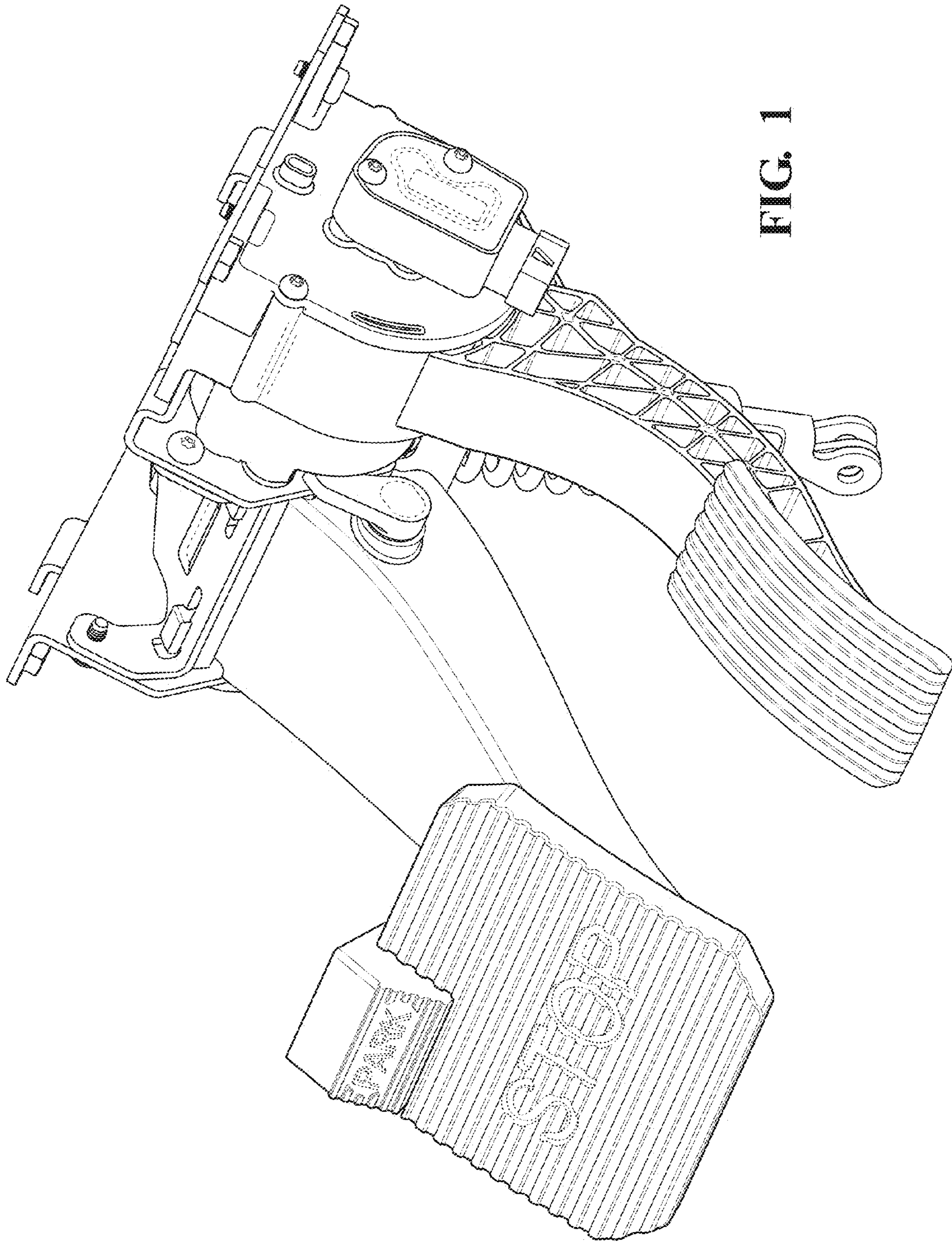


FIG. 1

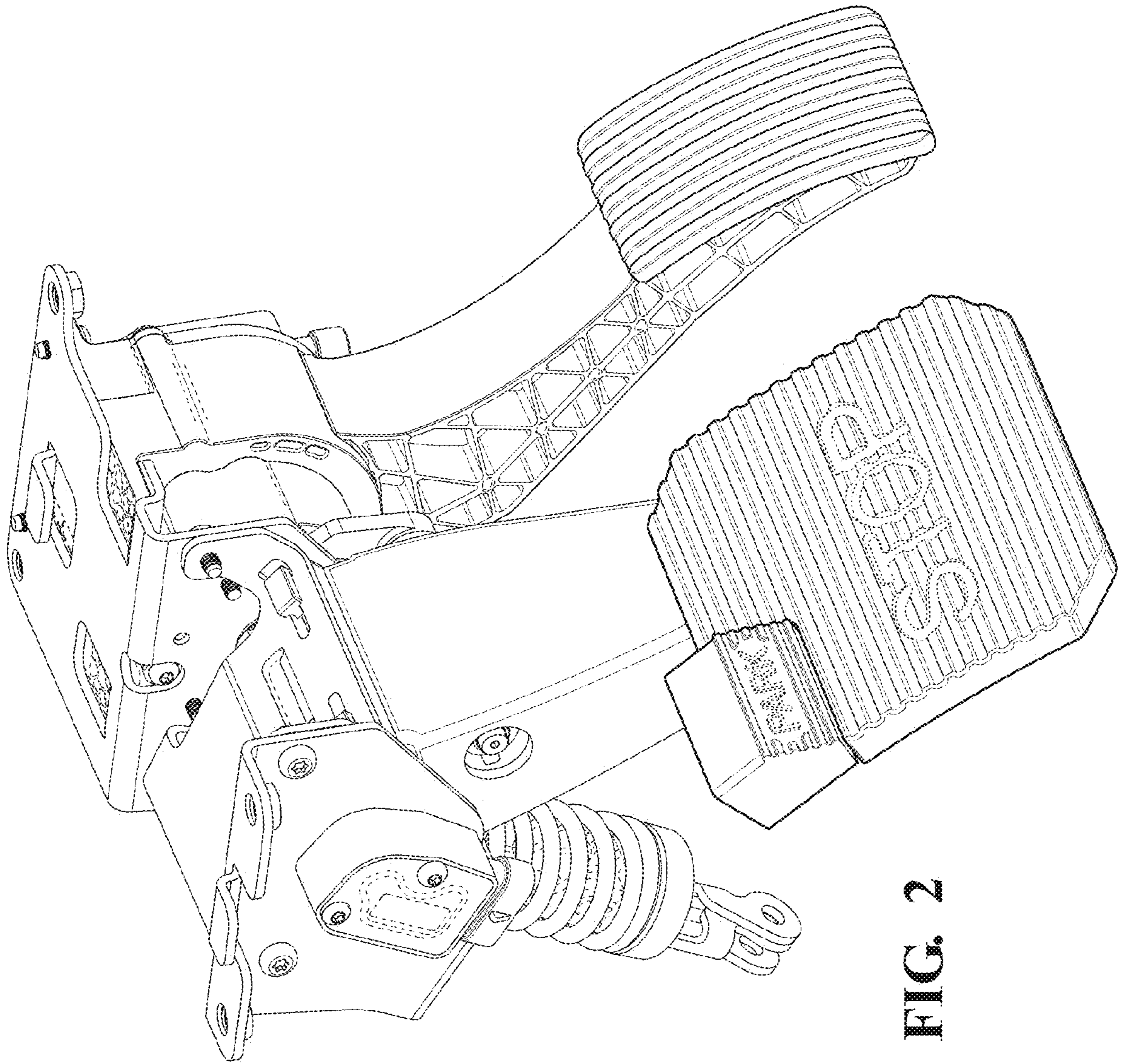


FIG. 2

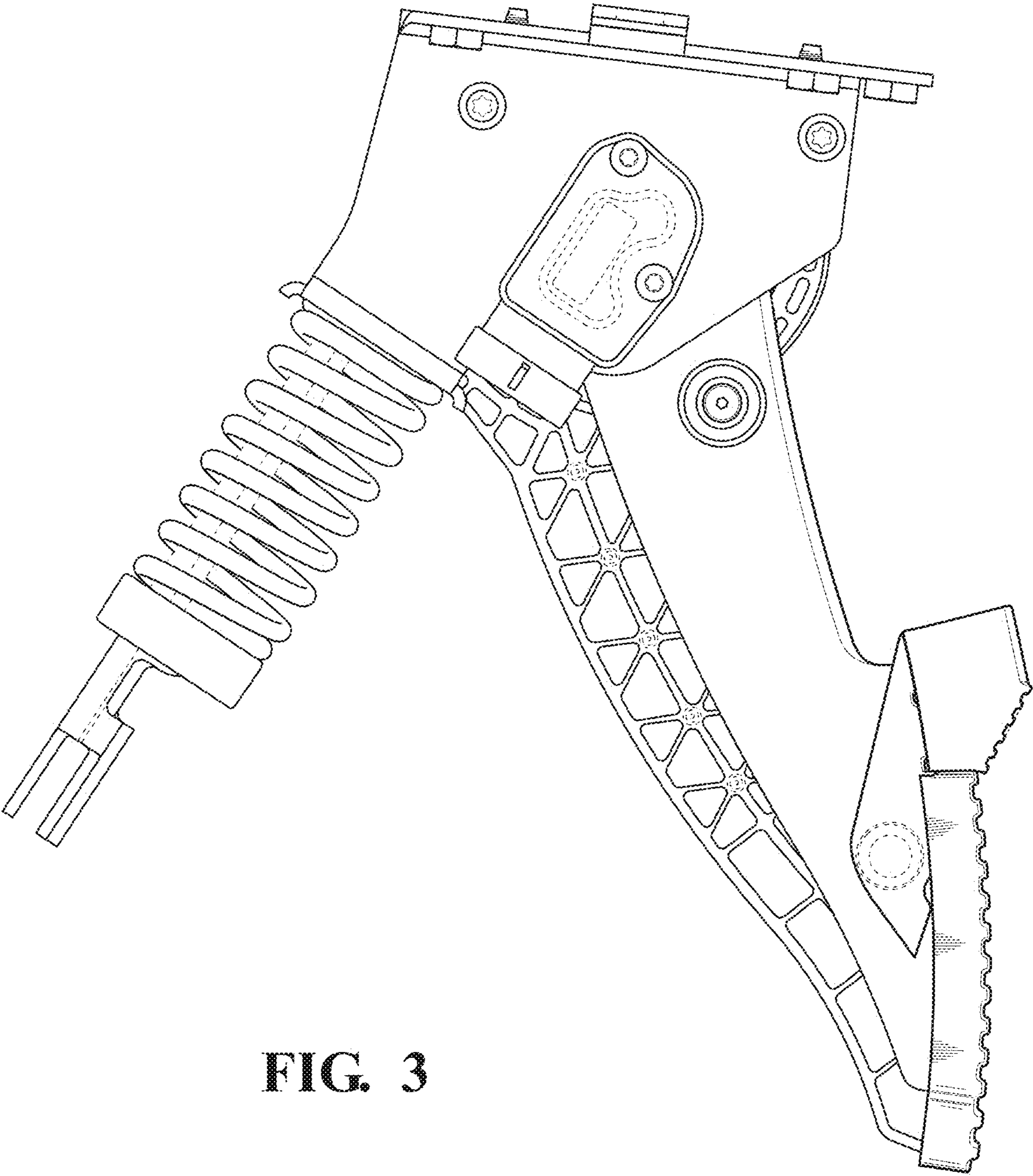


FIG. 3

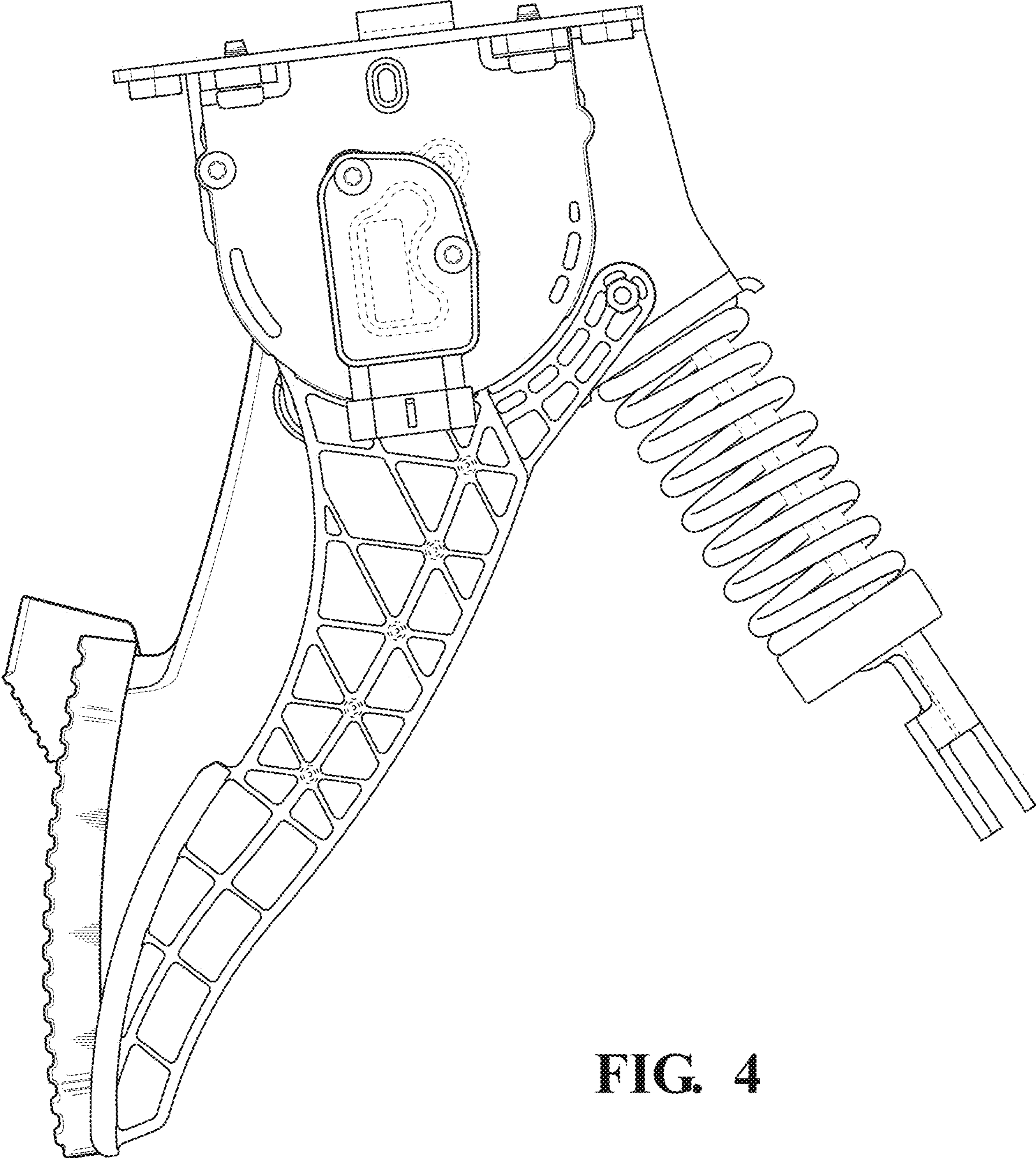
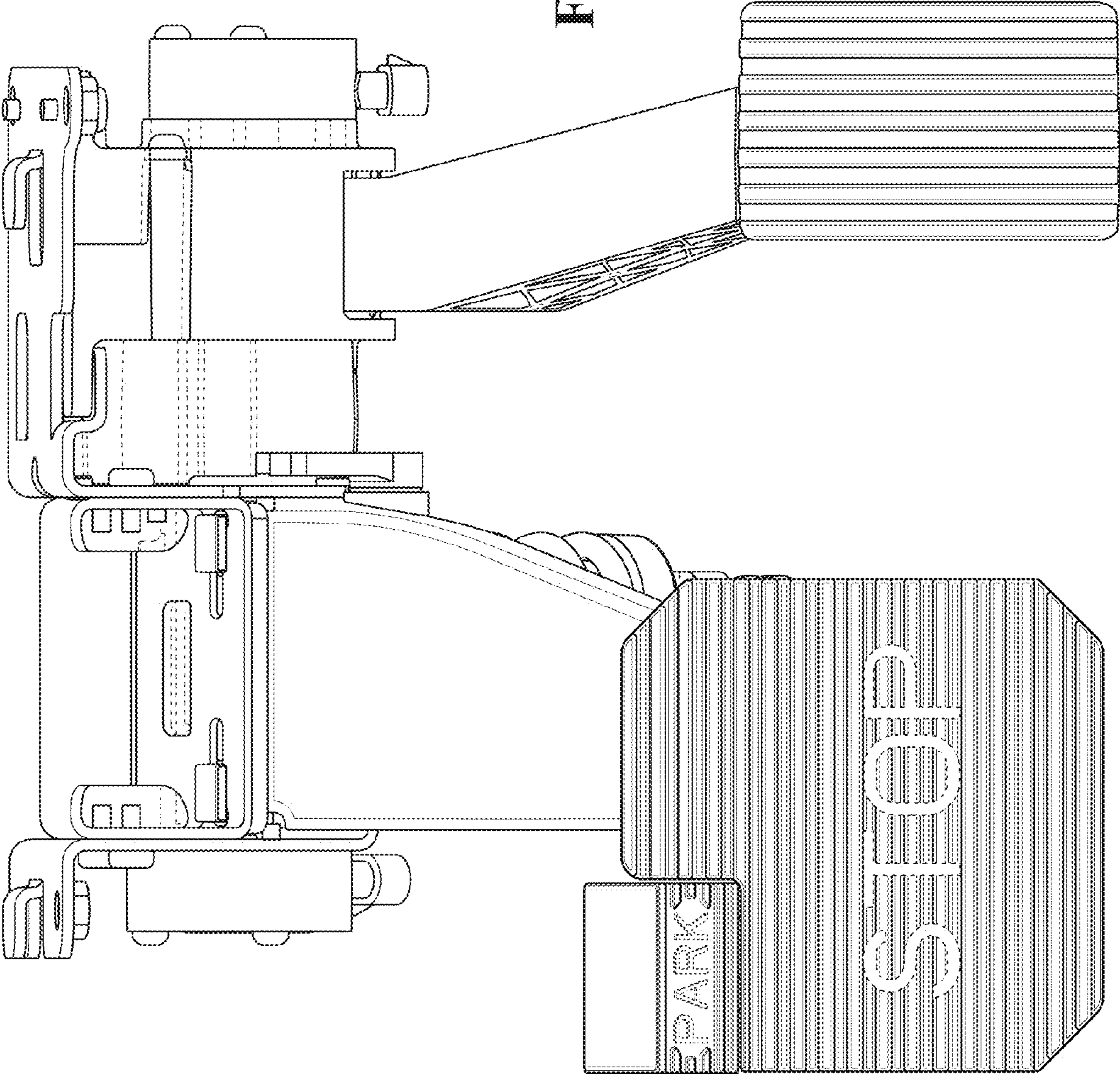


FIG. 4

FIG. 5



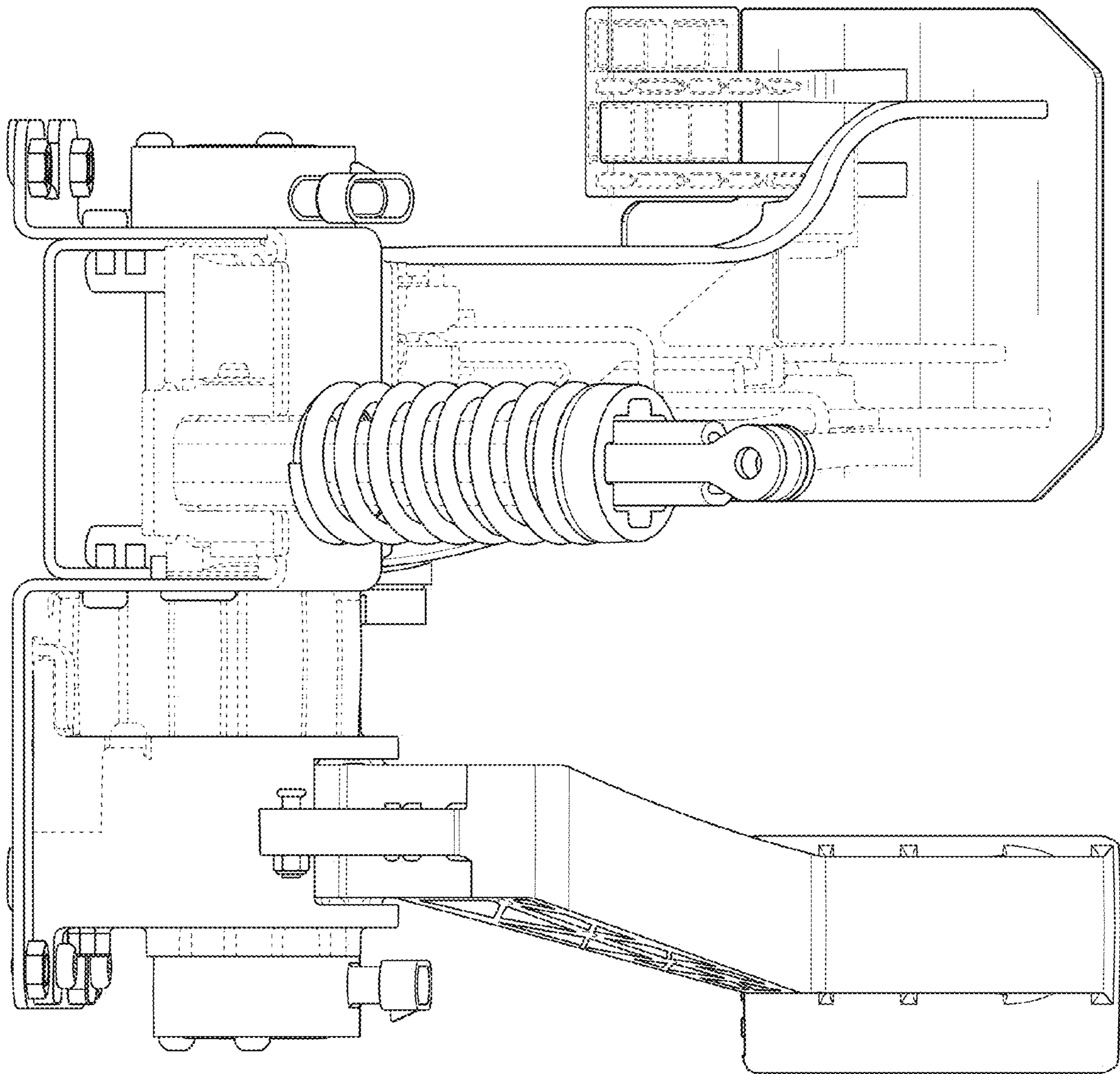


FIG. 6

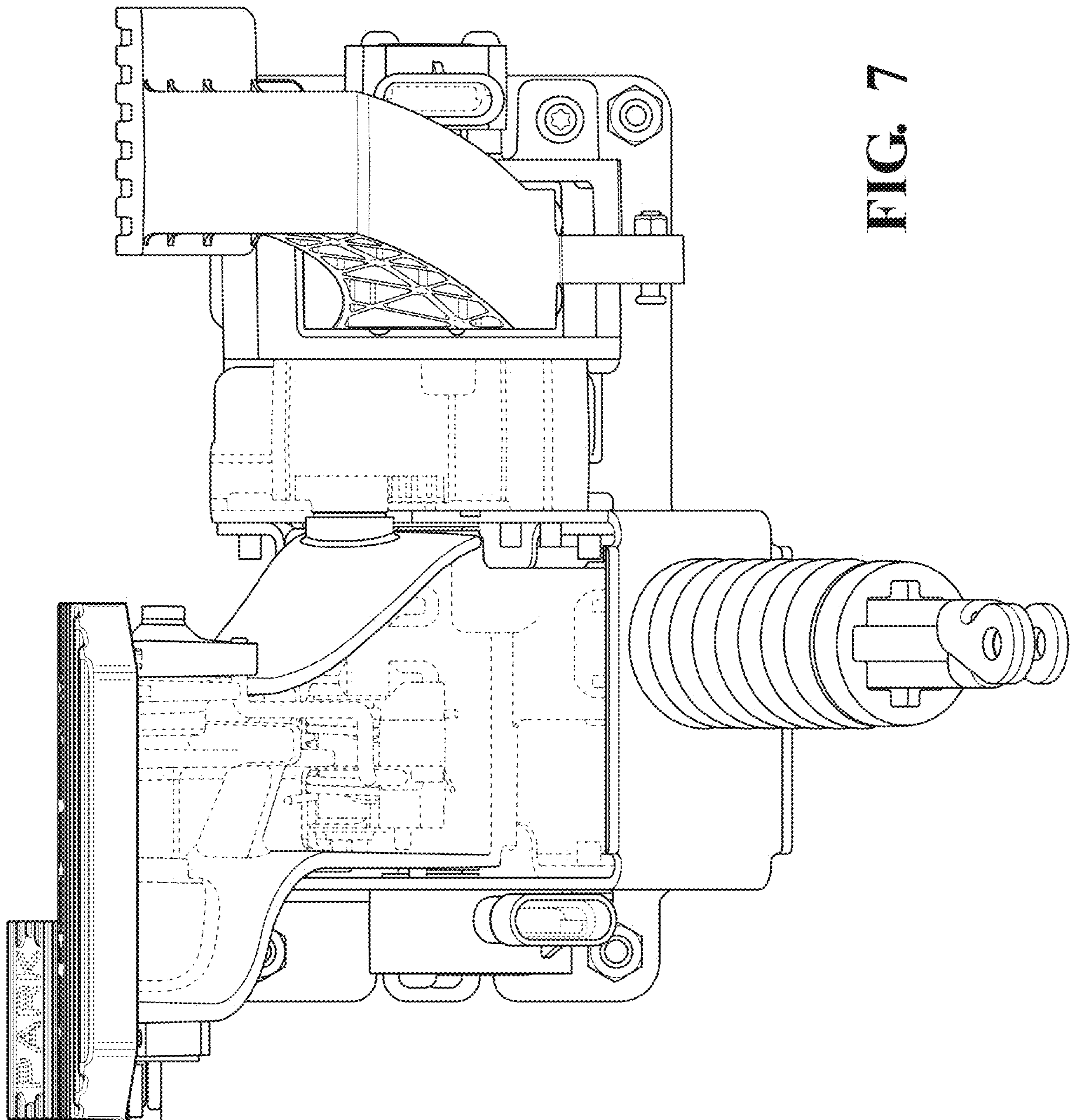


FIG. 7

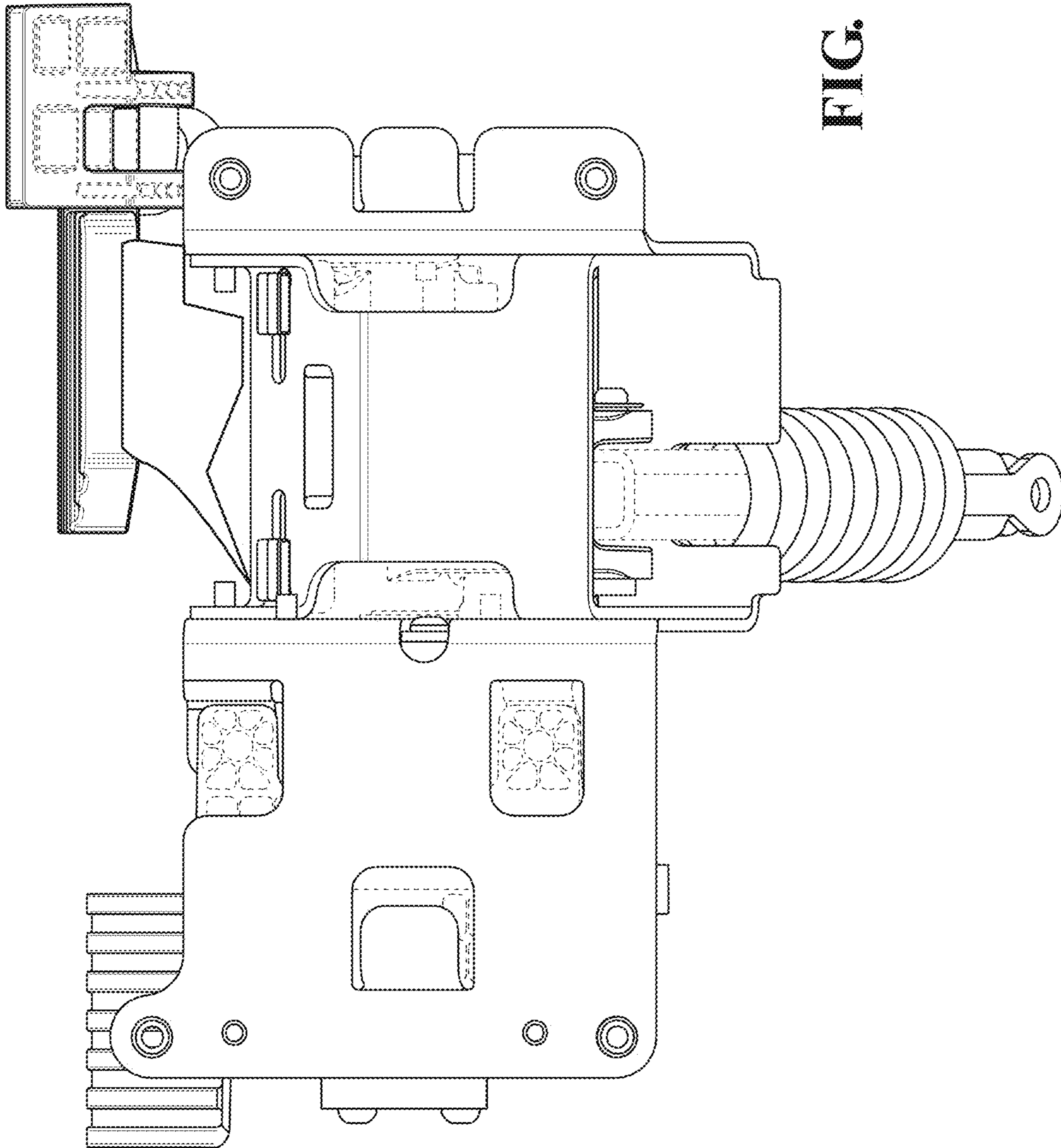


FIG. 8

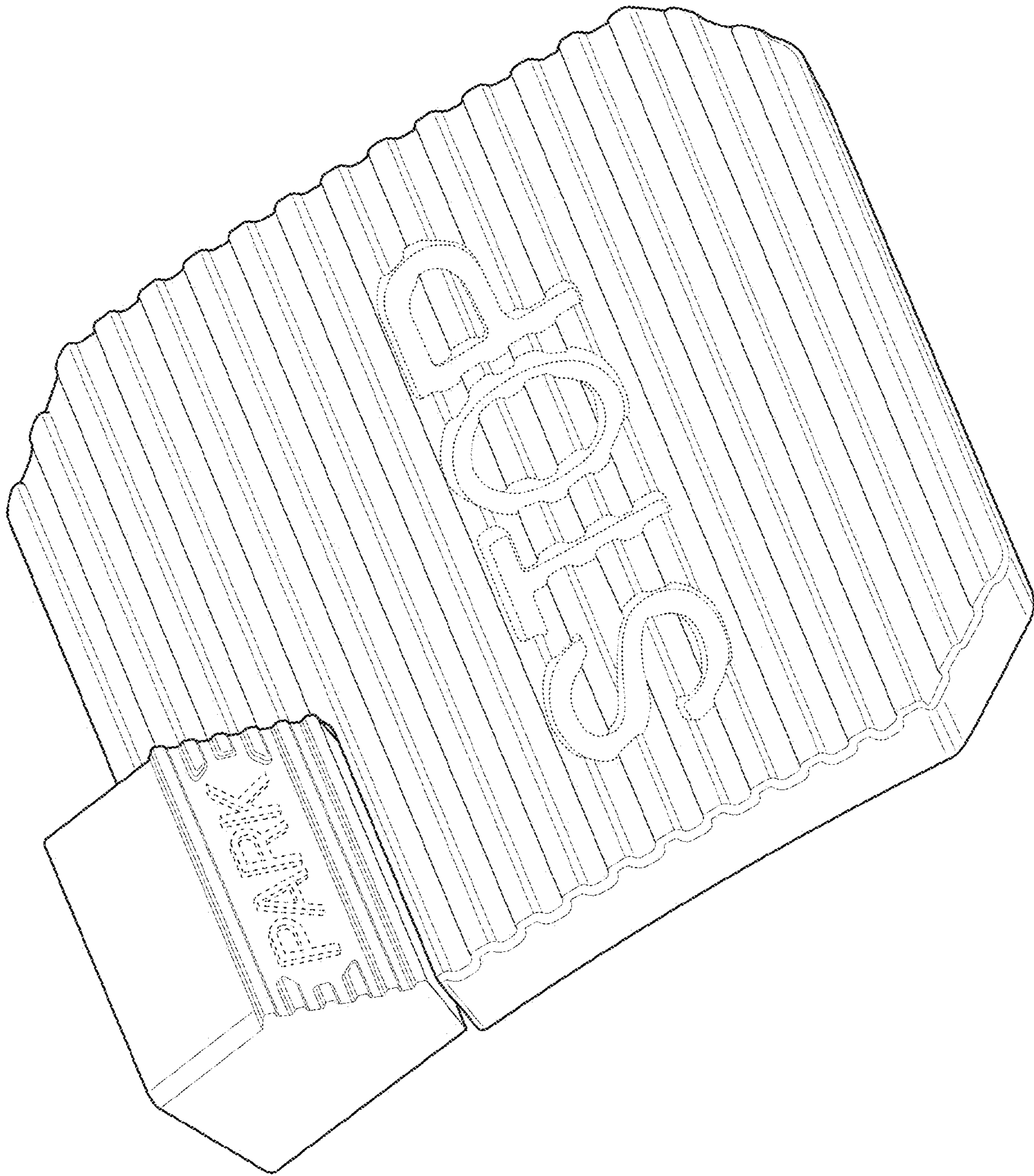


FIG. 9

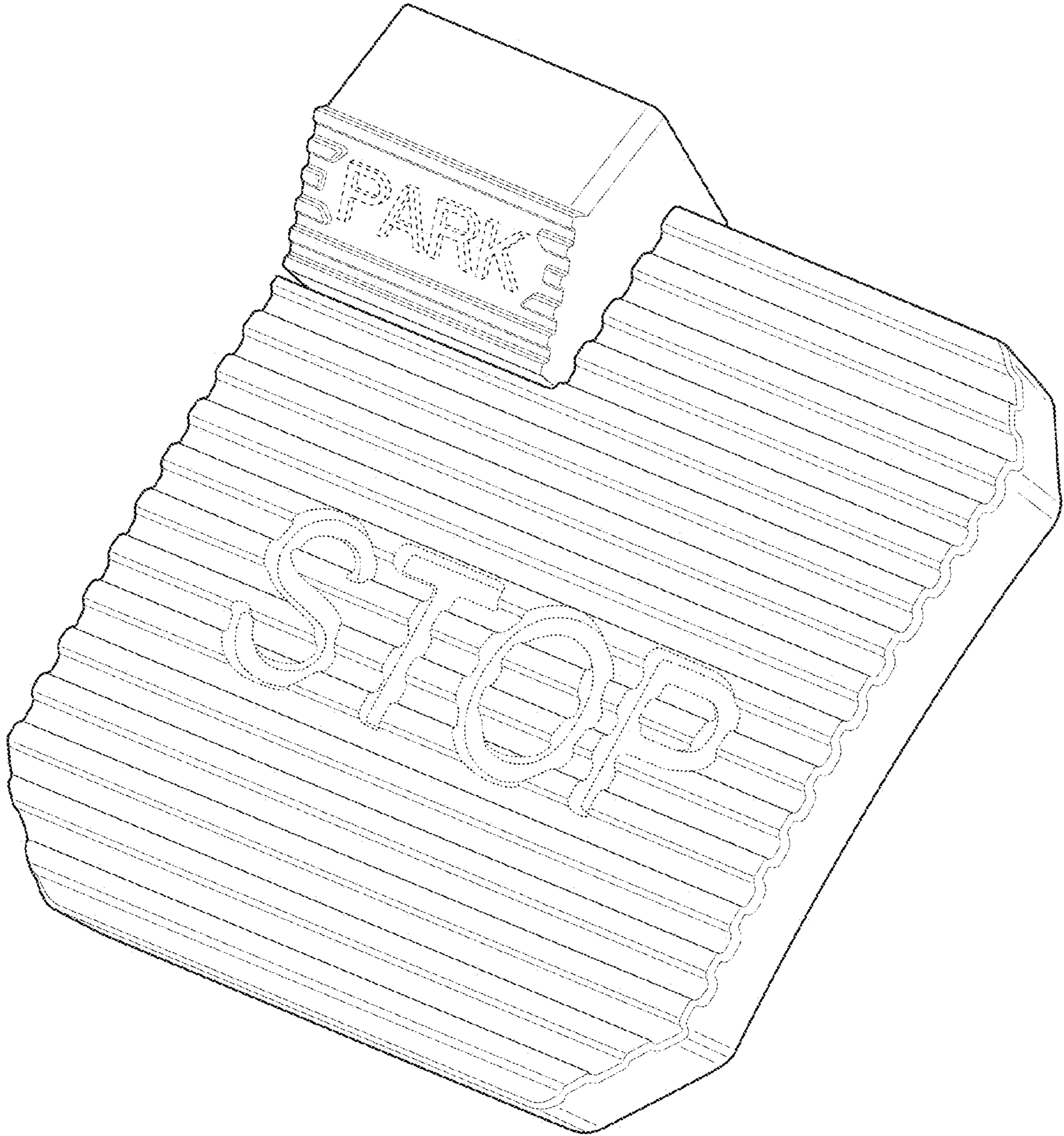


FIG. 10

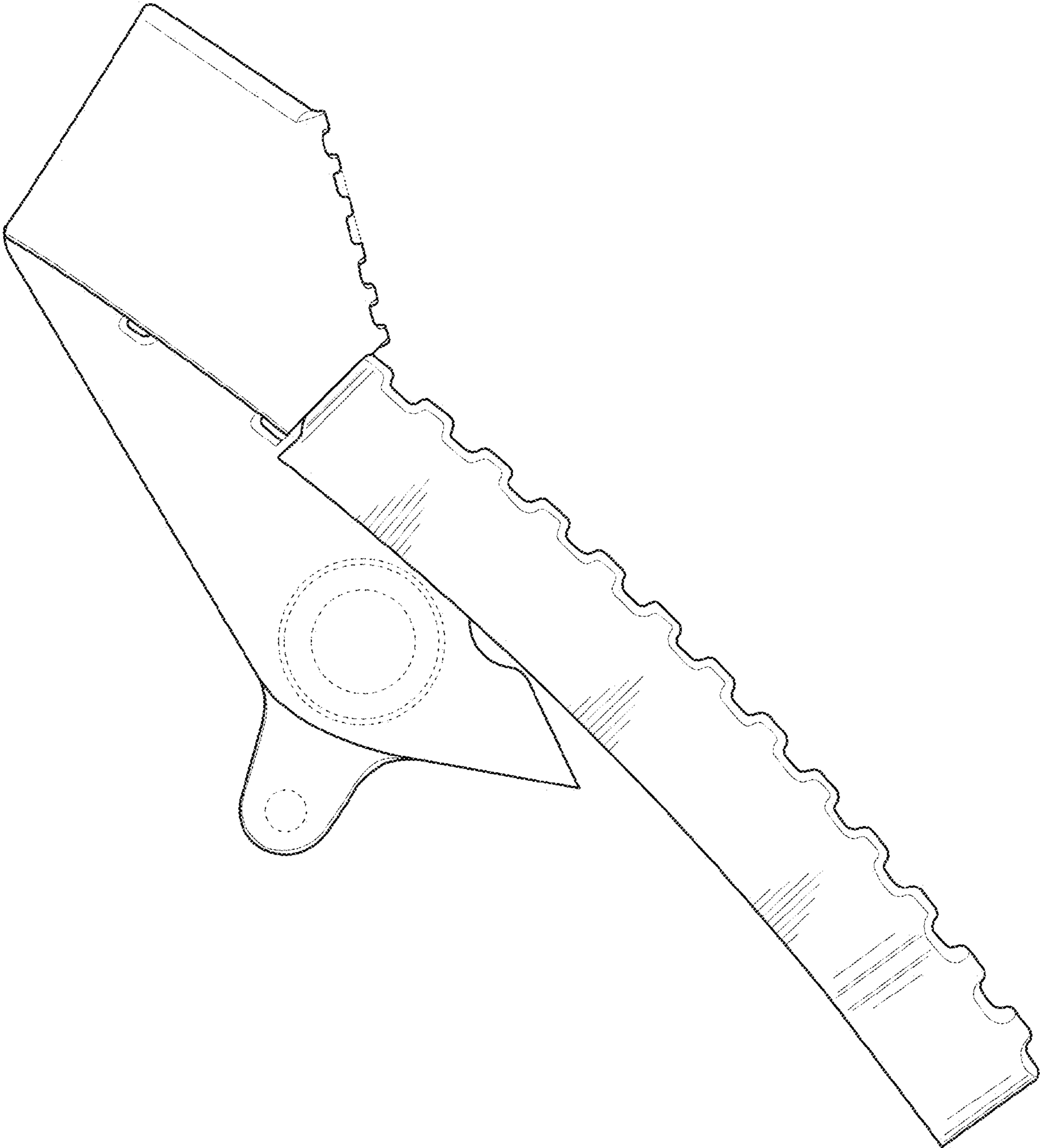


FIG. 11

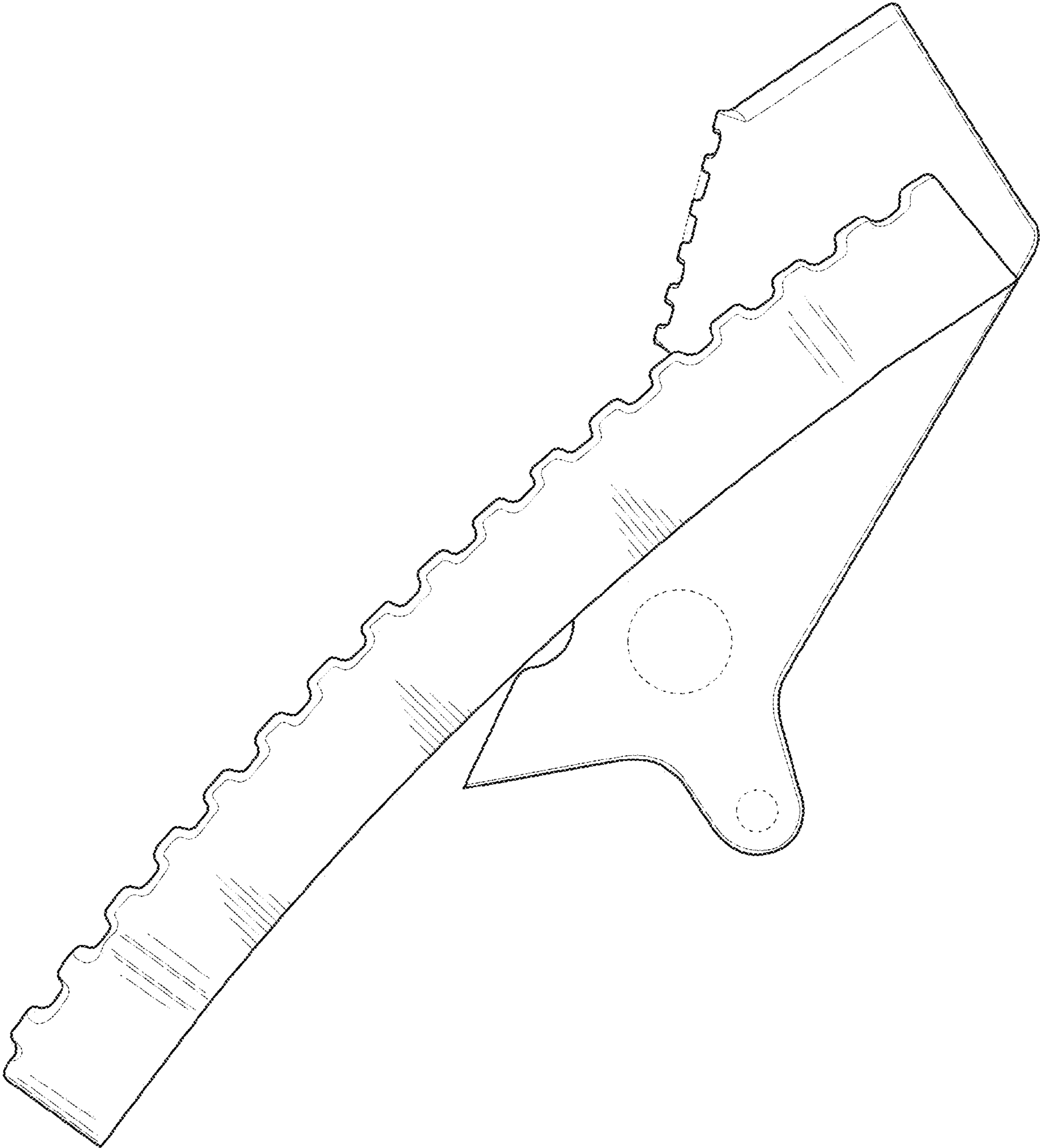


FIG. 12

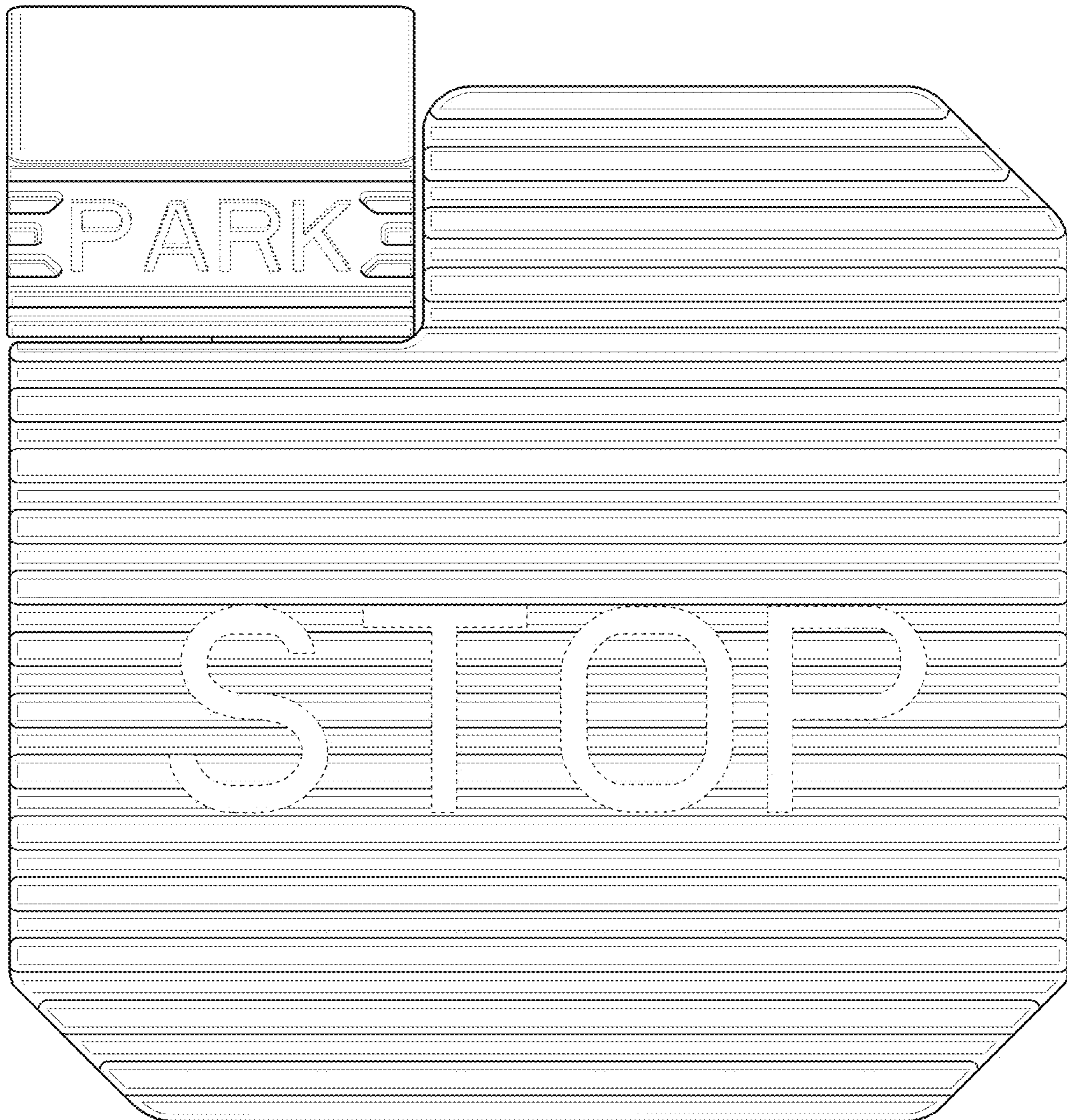


FIG. 13

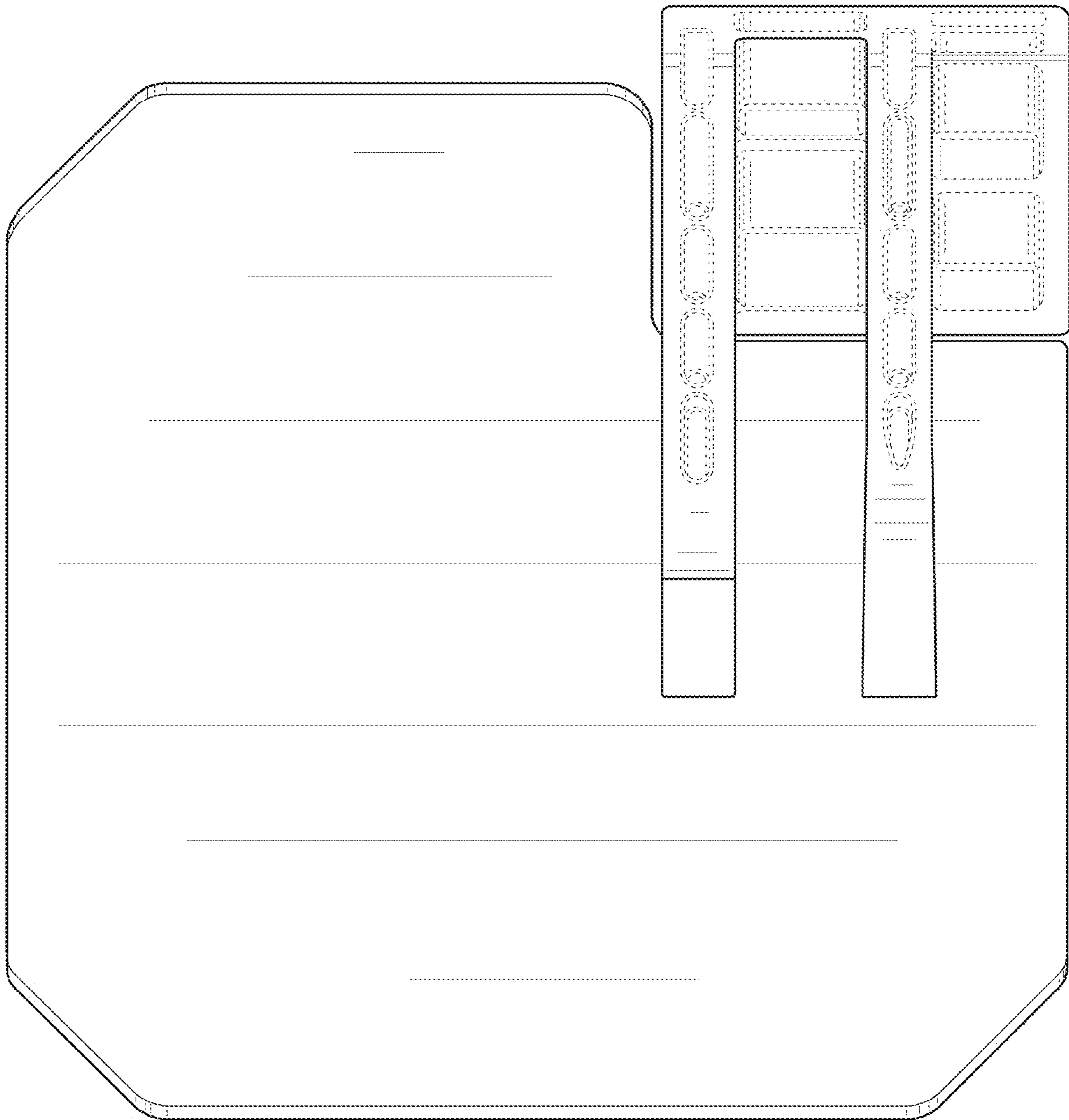


FIG. 14

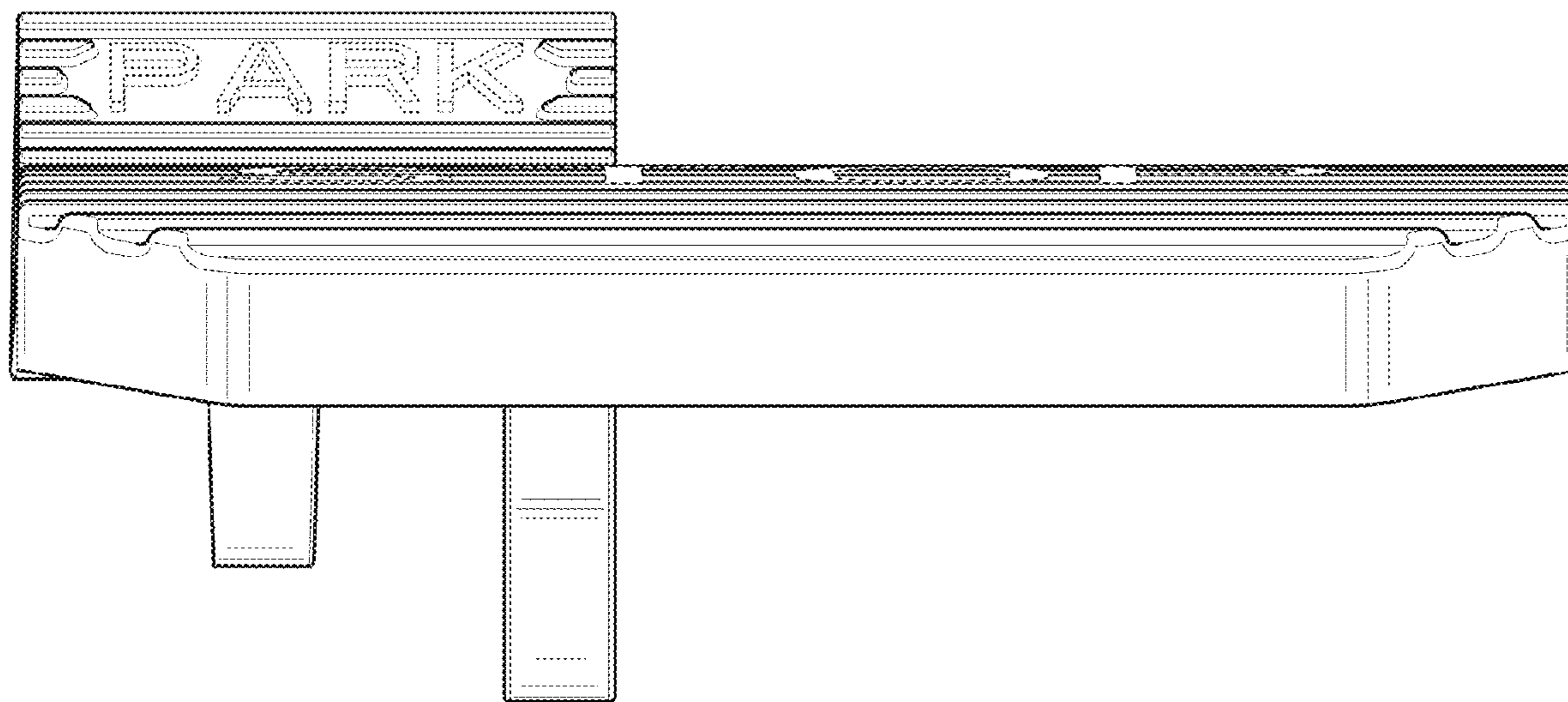


FIG. 15

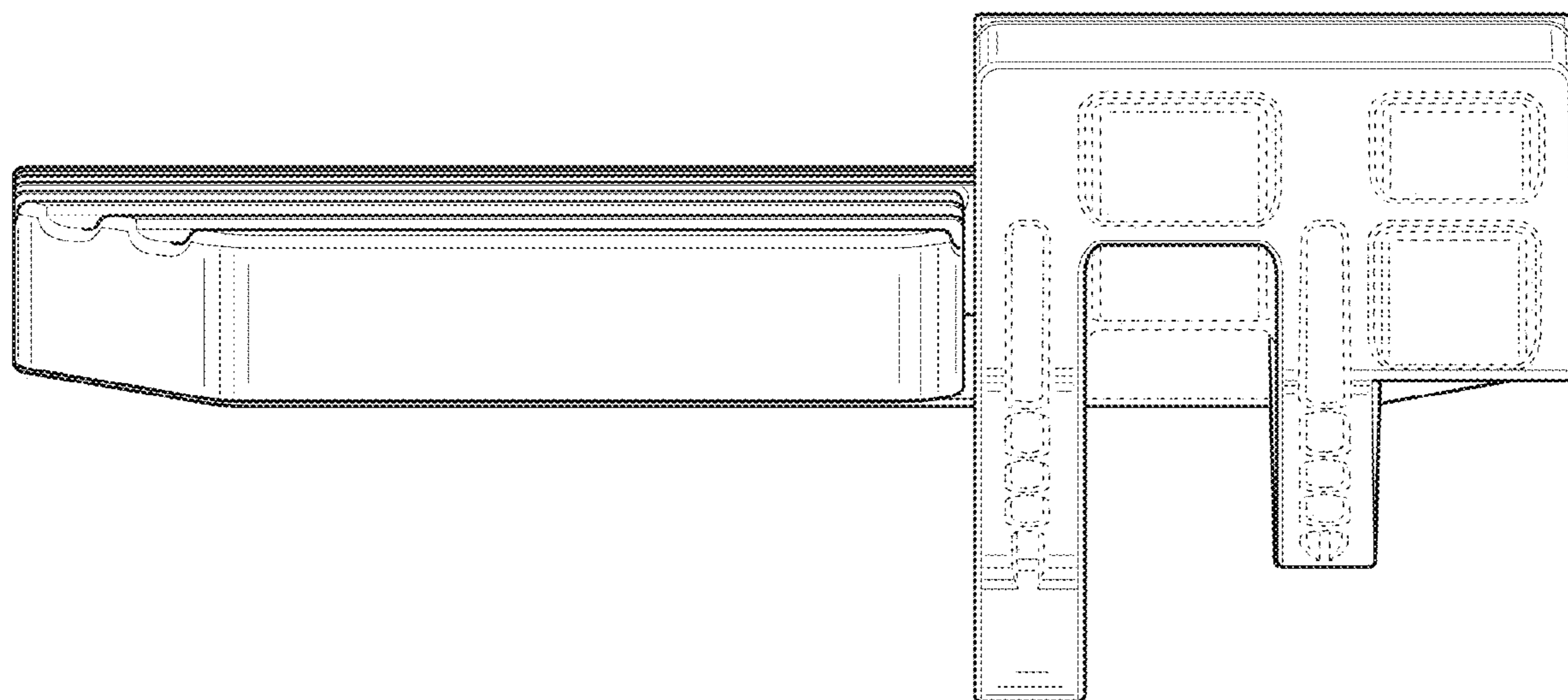


FIG. 16