



US00D916629S

(12) **United States Design Patent** (10) **Patent No.:** **US D916,629 S**
Toomväli et al. (45) **Date of Patent:** **** Apr. 20, 2021**

(54) **WHEELCHAIR FRAME**
(71) Applicant: **Nordest Plus OÜ**, Harju maakond (EE)
(72) Inventors: **Tanel Toomväli**, Harju maakond (EE);
Tarmo Tamm, Jõgeva maakond (EE)
(73) Assignee: **Nordest Plus OÜ**, Harju maakond (EE)
(**) Term: **15 Years**
(21) Appl. No.: **35/507,299**

D561,651 S * 2/2008 Yamagishi D12/131
D585,794 S * 2/2009 Lin D12/131
D604,208 S * 11/2009 Perk D12/131
D621,307 S * 8/2010 Kagi D12/131
D627,270 S * 11/2010 Kretschmer D12/131
D647,426 S * 10/2011 Ward D12/131
D673,083 S * 12/2012 Daff D12/133
D745,441 S * 12/2015 Ohruh D12/131
D770,331 S * 11/2016 Gabriely D12/131
D786,740 S * 5/2017 Abe D12/128
D788,652 S * 6/2017 Mutsuro D12/131
D793,289 S * 8/2017 Jahkel D12/128
9,770,376 B2 * 9/2017 Robins A61G 5/125

(22) Filed: **Jul. 4, 2019**

FOREIGN PATENT DOCUMENTS

(80) **Hague Agreement Data**

EM 005514551-0001 8/2018

Int. Filing Date: **Jul. 4, 2019**
Int. Reg. No.: **DM/202372**
Int. Reg. Date: **Jul. 4, 2019**
Int. Reg. Pub. Date: **Aug. 23, 2019**

* cited by examiner

Primary Examiner — Darlington Ly
(74) *Attorney, Agent, or Firm* — Berggren LLP

(51) **LOC (13) Cl.** **12-12**

(57) **CLAIM**

(52) **U.S. Cl.**
USPC **D12/131**

The ornamental design for a wheelchair frame, as shown and described.

(58) **Field of Classification Search**
USPC D12/128–133
CPC A61G 5/00–14; A61G 5/041–047; A61G 2005/048
See application file for complete search history.

DESCRIPTION

(56) **References Cited**

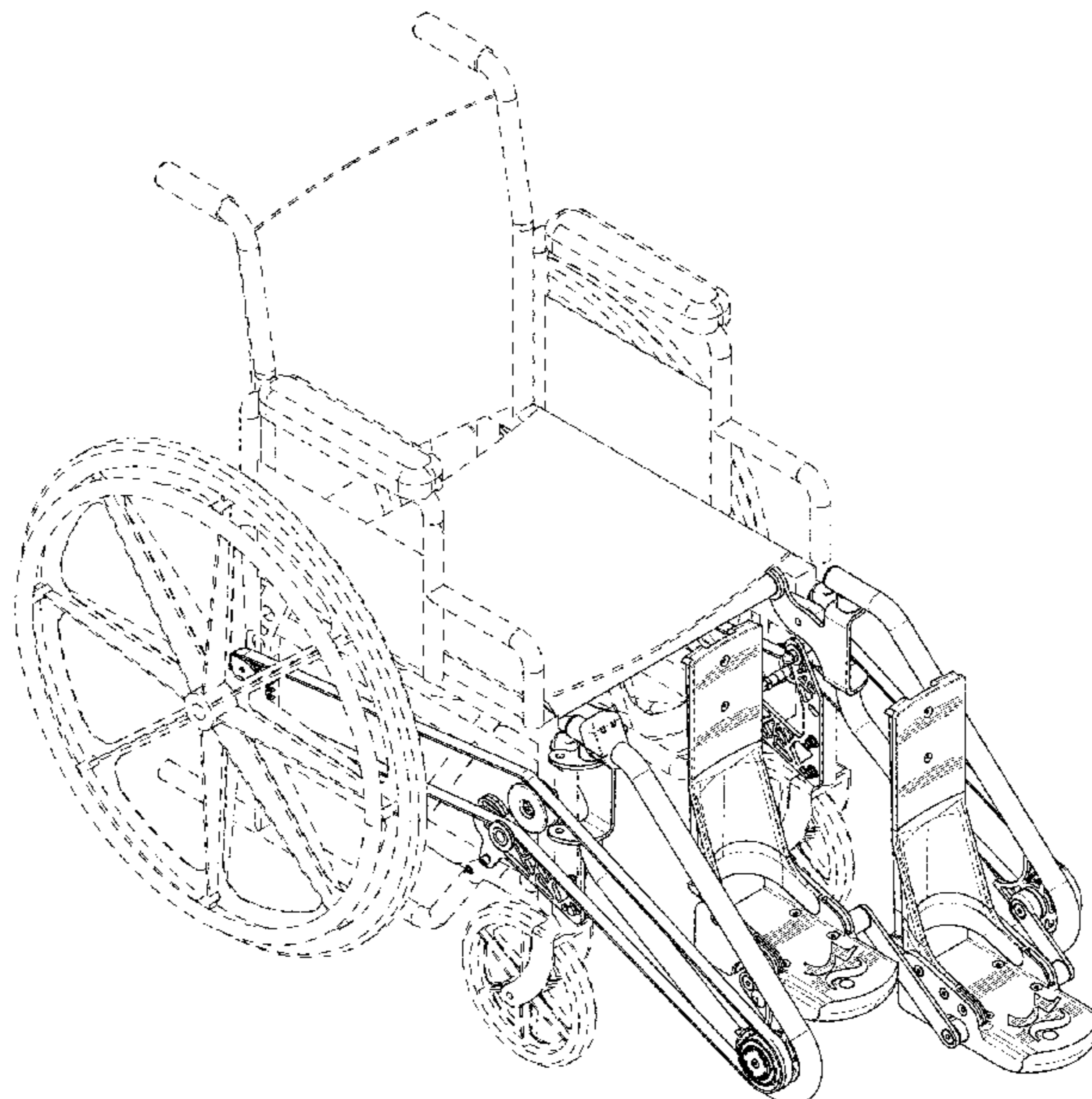
U.S. PATENT DOCUMENTS

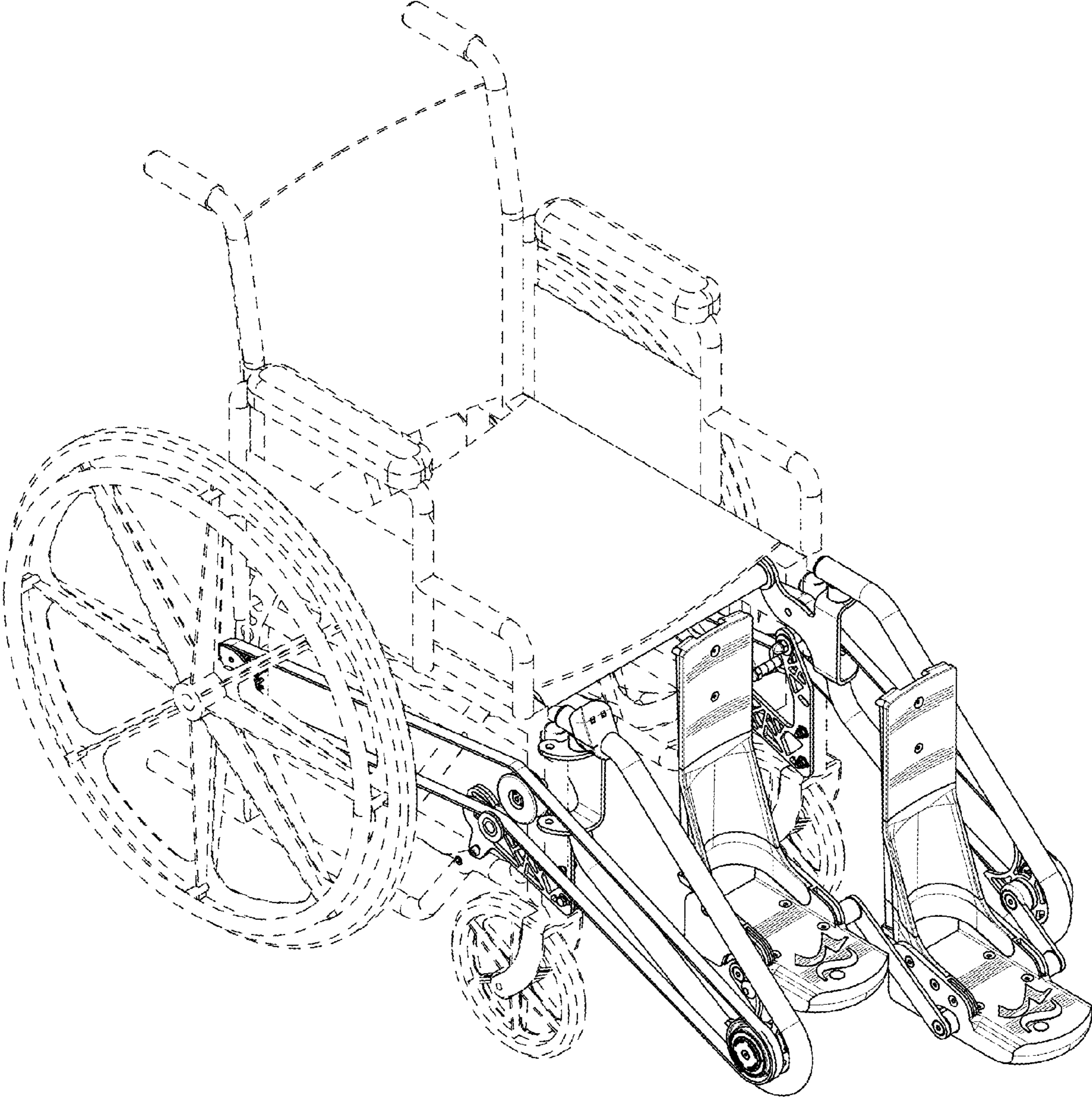
D413,554 S * 9/1999 Schlangen D12/131
D443,563 S * 6/2001 Johnson D12/131
D462,639 S * 9/2002 Lin D12/131
D475,952 S * 6/2003 Nelson D12/131
D494,110 S * 8/2004 Cheng D12/131
D503,364 S * 3/2005 Miura D12/131
D530,650 S * 10/2006 Azuma D12/131
D556,647 S * 12/2007 Yamagishi D12/131

1.1 is a perspective view of a wheelchair frame embodying our new design as attached to an exemplary wheelchair;
1.2 is a front perspective view thereof independent of the exemplary wheelchair;
1.3 is a top perspective view thereof;
1.4 is a left side elevation view thereof;
1.5 is a right side elevation view thereof;
1.6 is a top plan view thereof; and
1.7 is a front elevation view thereof.

The broken line showing of the wheelchair is provided for the purpose of illustrating environmental structure and forms no part of the claimed design.

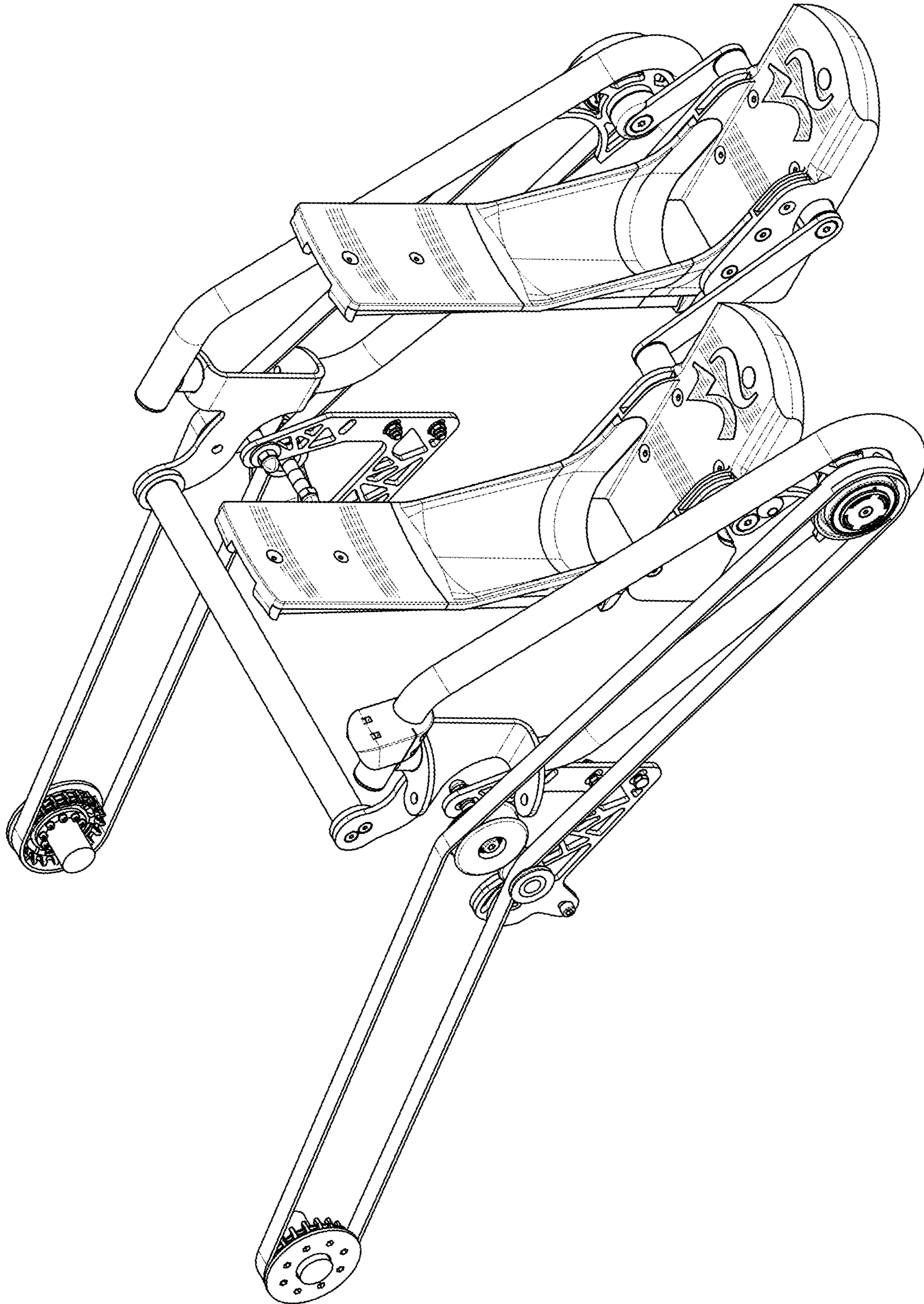
1 Claim, 7 Drawing Sheets

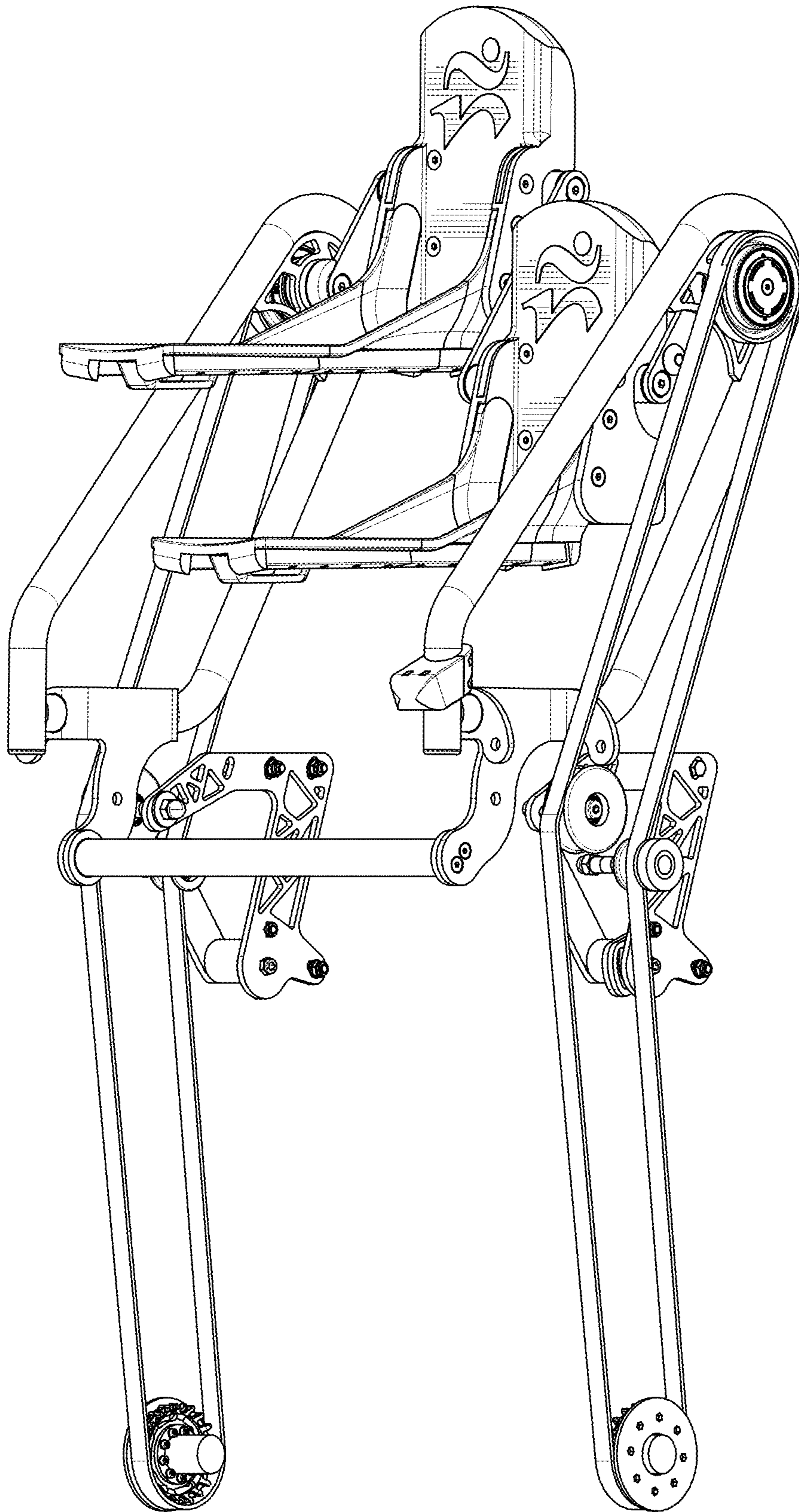




1.1

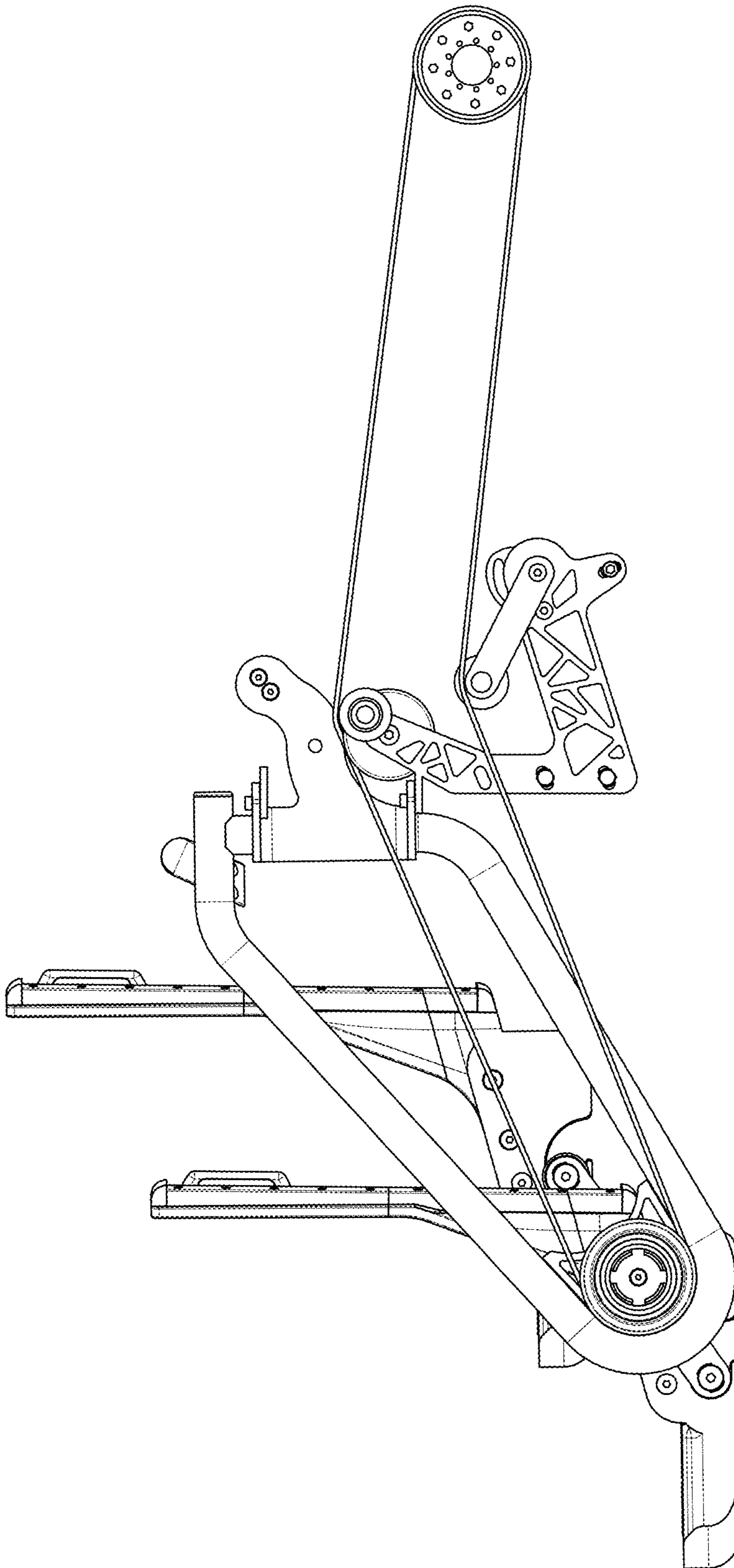
1.2

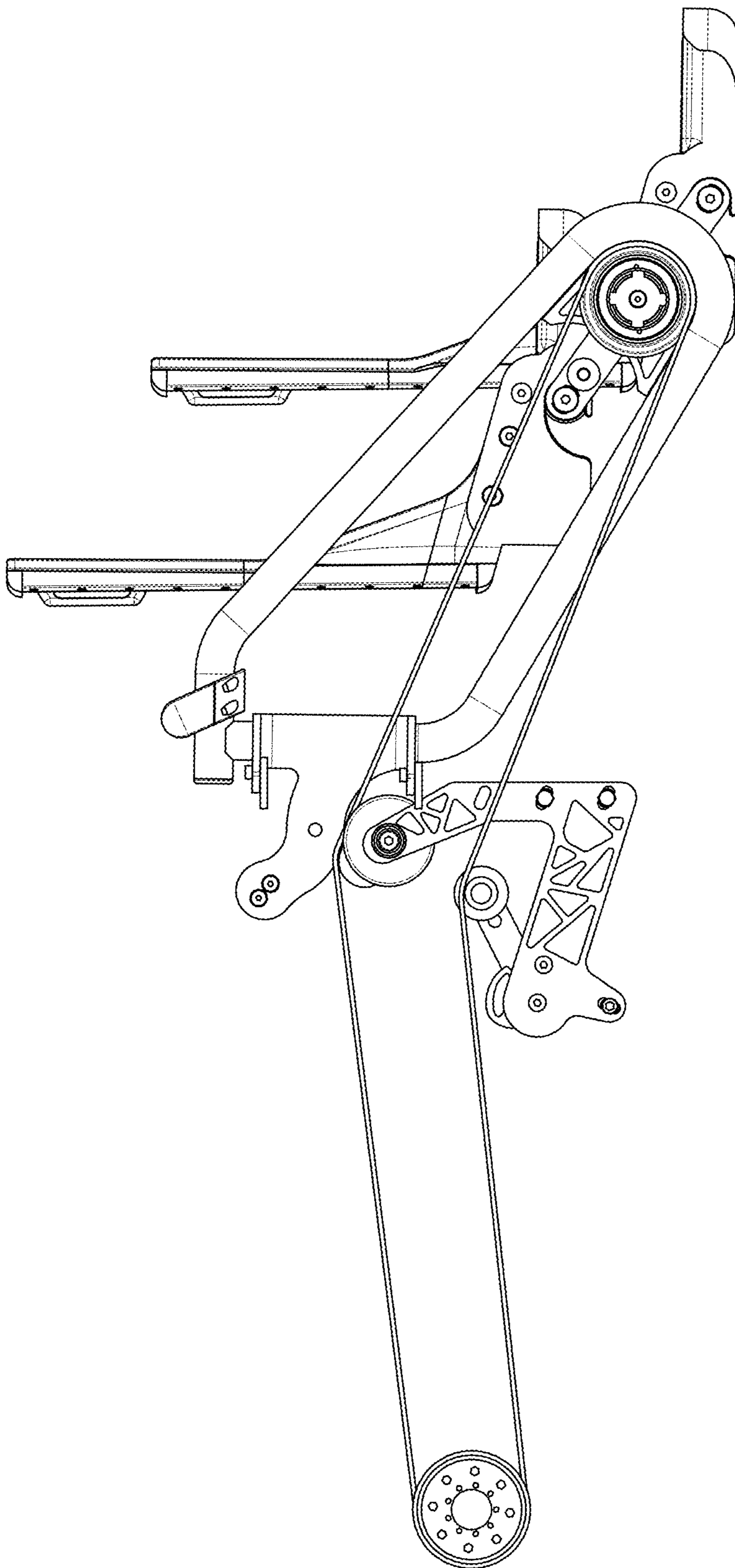




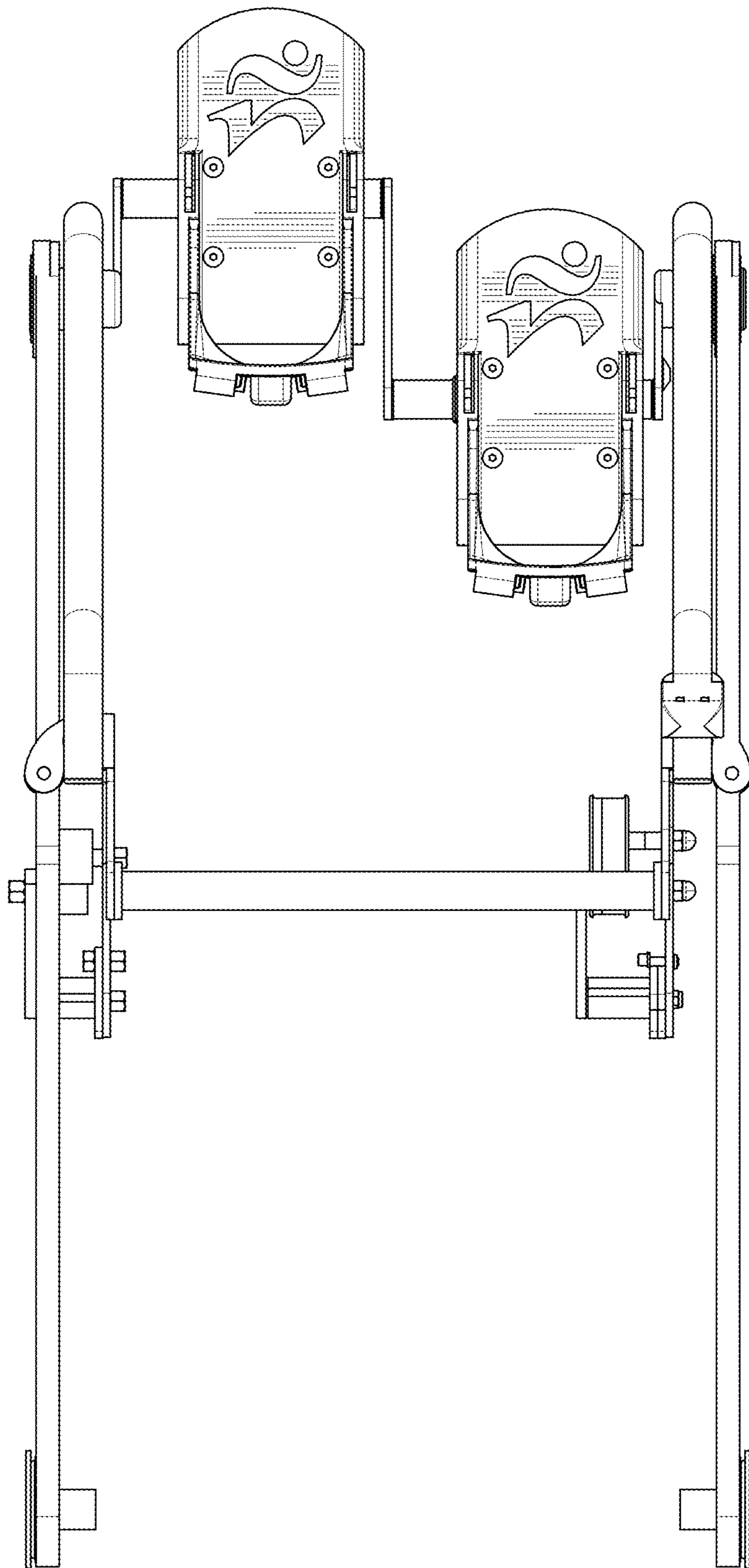
1.3

1.4

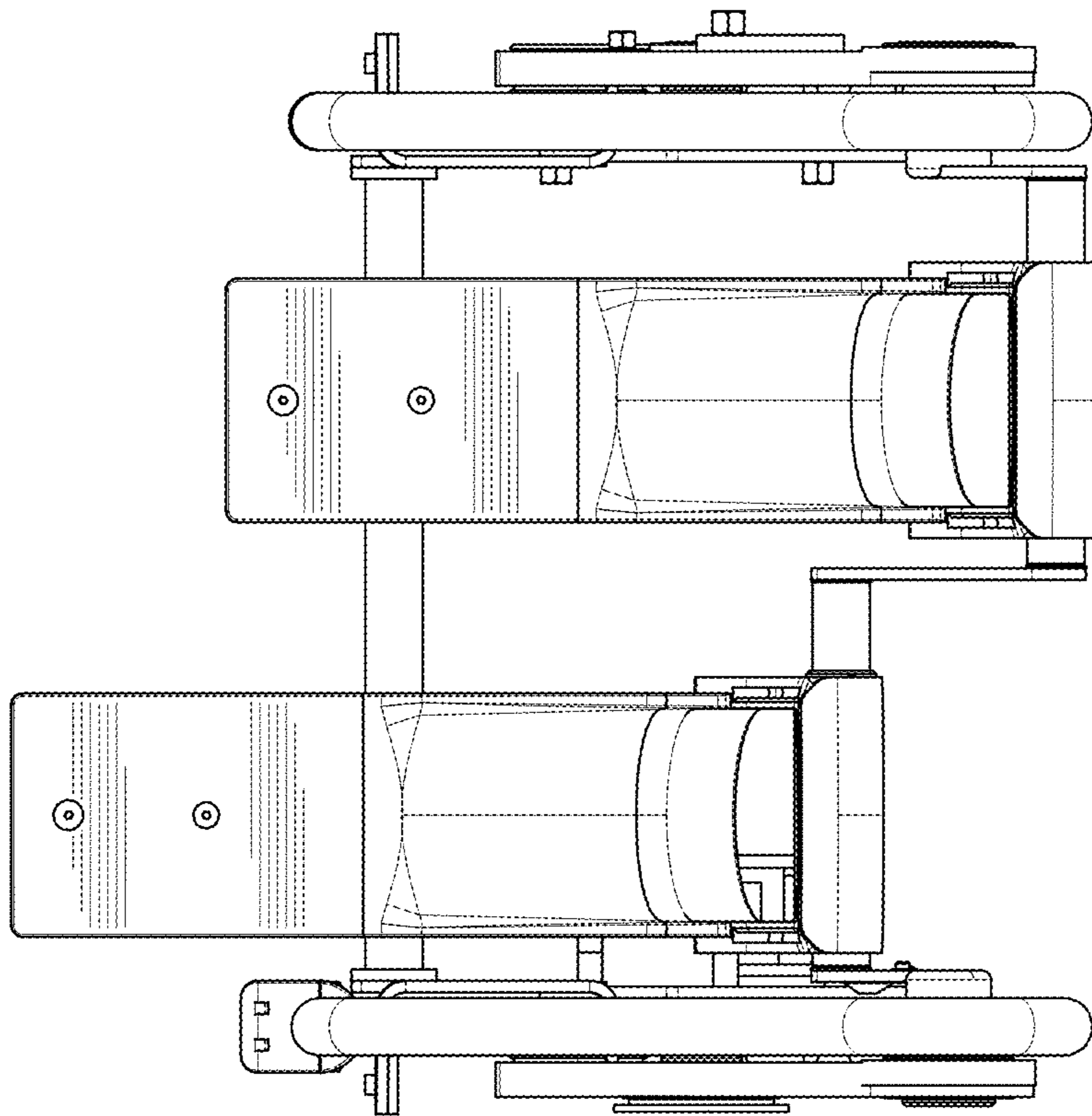




1.5



1.6



1.7