



US00D916626S

(12) **United States Design Patent**
Trippit et al.

(10) **Patent No.:** **US D916,626 S**
(45) **Date of Patent:** **** Apr. 20, 2021**

(54) **CAMPING TRAILER**

(71) Applicant: **Kerfton Pty Ltd**, Ashburton (AU)

(72) Inventors: **Barry Trippit**, Ashburton (AU); **Raul Gonzalez Podesta**, La Plata (AR)

(73) Assignee: **Kerfton Pty Ltd**, Ashburton (AU)

(**) Term: **15 Years**

(21) Appl. No.: **29/656,819**

(22) Filed: **Jul. 17, 2018**

(30) **Foreign Application Priority Data**

Jan. 17, 2018 (AU) 201810260

(51) **LOC (13) Cl.** **12-10**

(52) **U.S. Cl.**
USPC **D12/103**

(58) **Field of Classification Search**
USPC D12/19, 129, 100-106, 111-112;
D21/425, 435; D34/21-26, 12, 16-19
CPC .. B62D 35/00; B62D 33/077; B62D 33/0612;
B62D 24/04; B60P 3/10; B60P 3/1033;
B60P 3/0257; B60P 3/38; B60P 3/34;
E01F 15/14
See application file for complete search history.

(56) **References Cited**

U.S. PATENT DOCUMENTS

D506,162 S * 6/2005 Collinson D12/102
D529,412 S * 10/2006 Troyer D12/102

D542,185 S * 5/2007 Remington D12/103
D546,731 S * 7/2007 Teague D12/102
D563,282 S * 3/2008 Mason D12/102
D566,005 S * 4/2008 Teague D12/86
D589,847 S * 4/2009 Sasnoswki D12/102
D662,444 S * 6/2012 Smoak D12/102
D878,248 S * 3/2020 King D12/102
D885,982 S * 6/2020 Tatro D12/103
D886,682 S * 6/2020 Matthews D12/103

* cited by examiner

Primary Examiner — Katrina A Betton

(74) *Attorney, Agent, or Firm* — Stevens & Showalter LLP

(57) **CLAIM**

The ornamental design for a camping trailer, as shown.

DESCRIPTION

FIG. 1 is an isometric view of a camping trailer showing my new design taken from the right front of the camping trailer; FIG. 2 is an isometric view taken from left rear thereof; FIG. 3 is a front view thereof; FIG. 4 is a rear view thereof; FIG. 5 is a left side view thereof; FIG. 6 is a right side view thereof; and, FIG. 7 is a top view thereof.
The bottom of the camping trailer forms no part of the design.

1 Claim, 7 Drawing Sheets

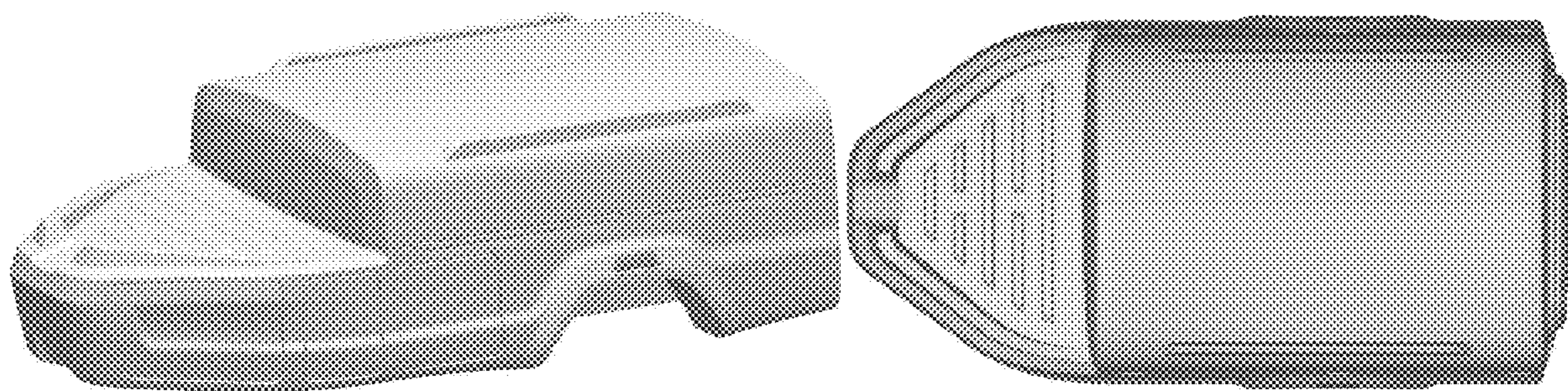


FIG. 1

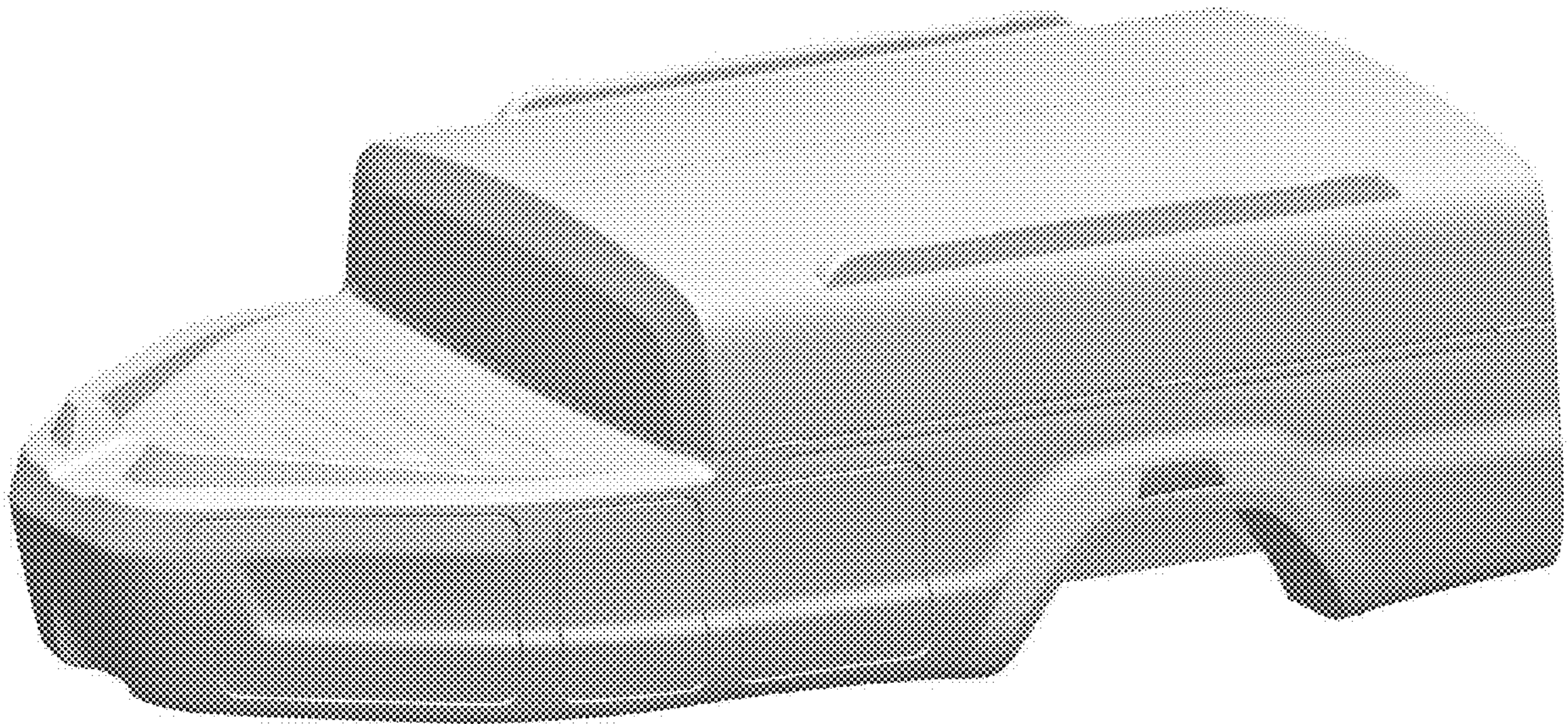


FIG. 2

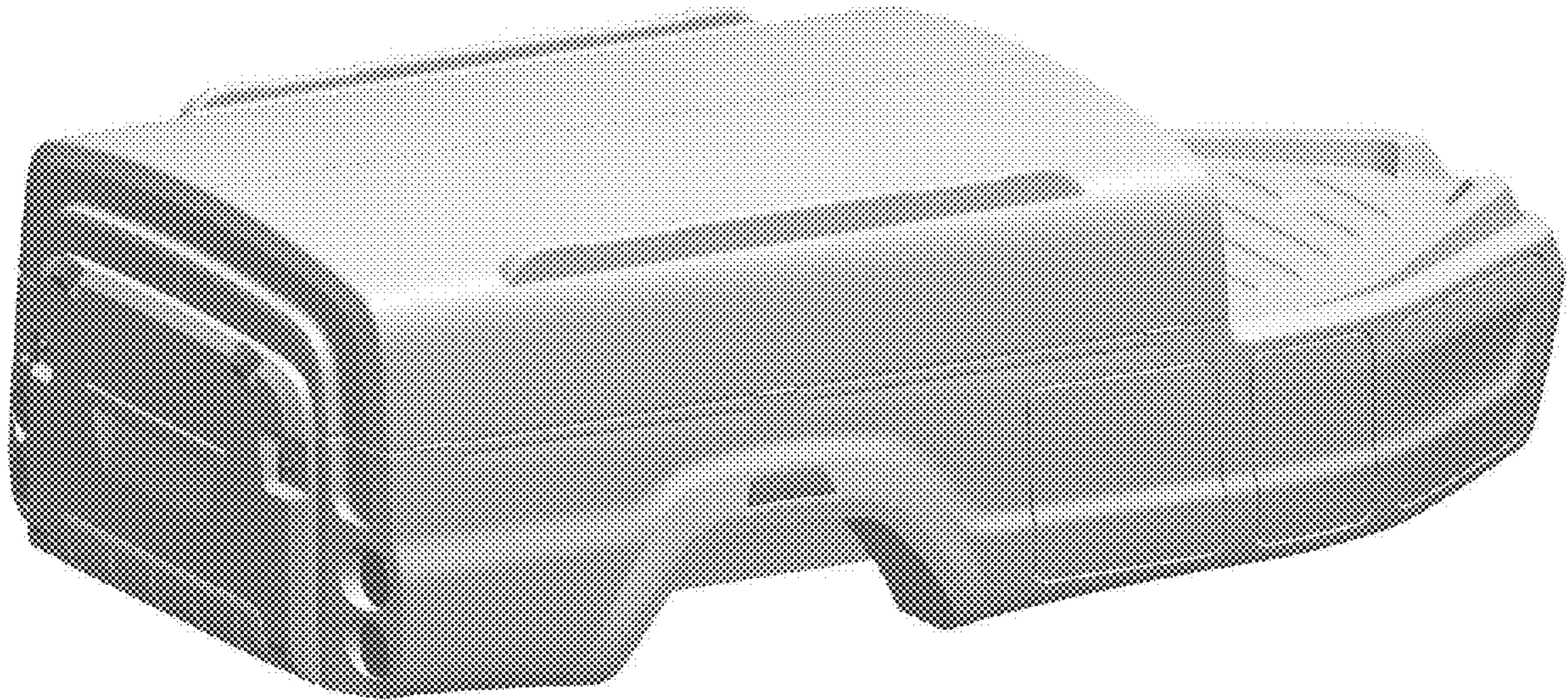


FIG. 3

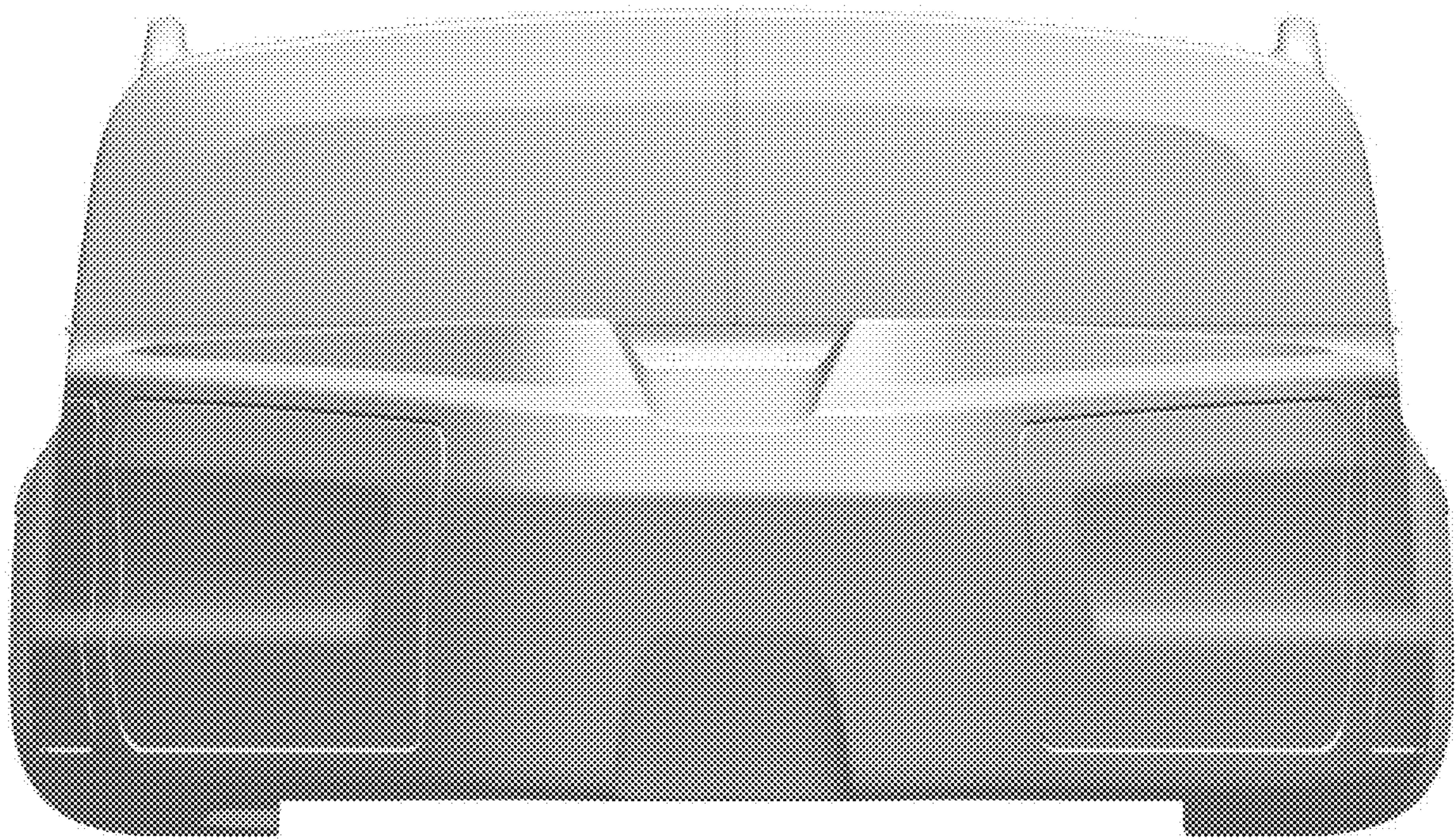


FIG. 4

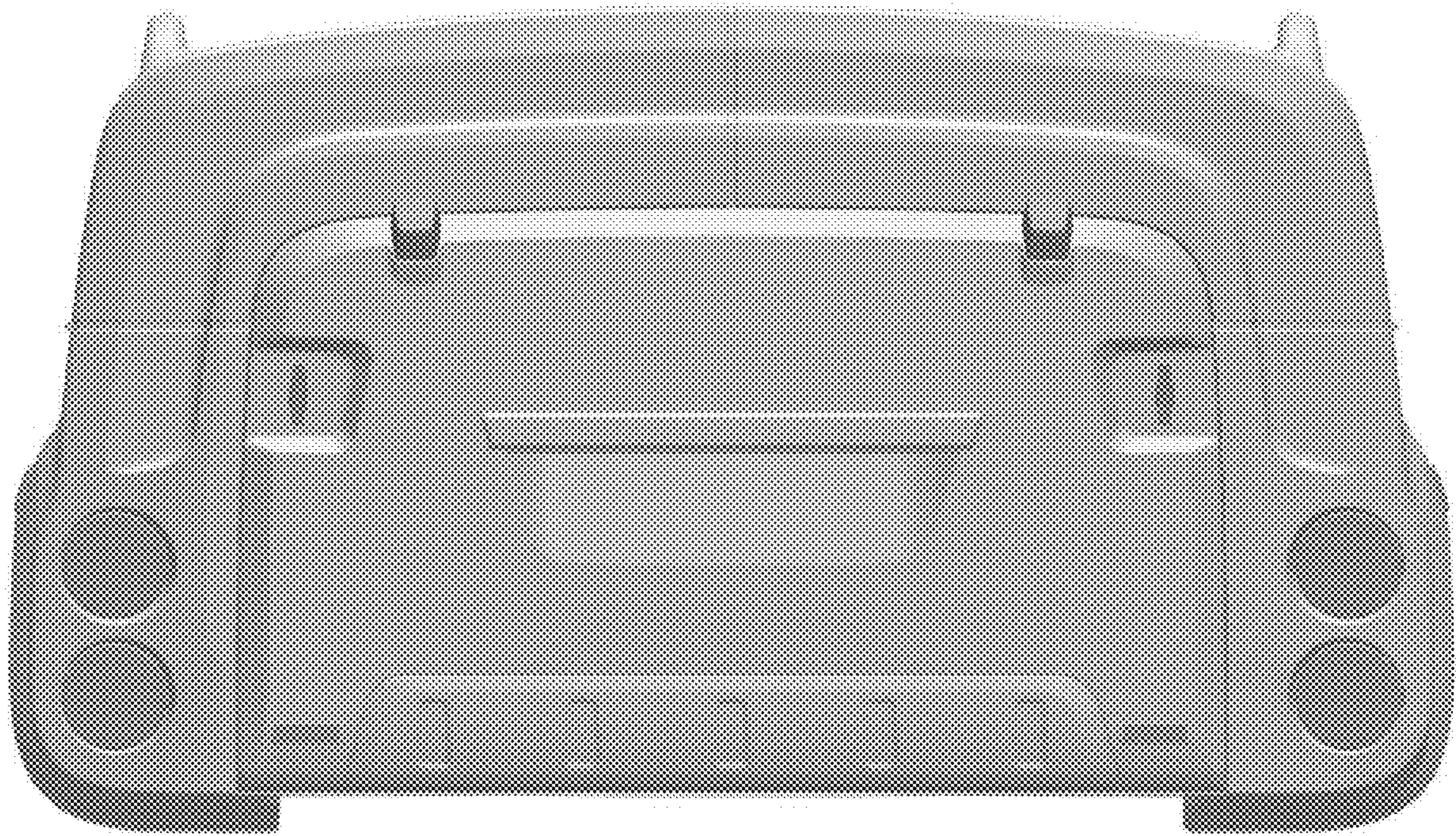


FIG. 5

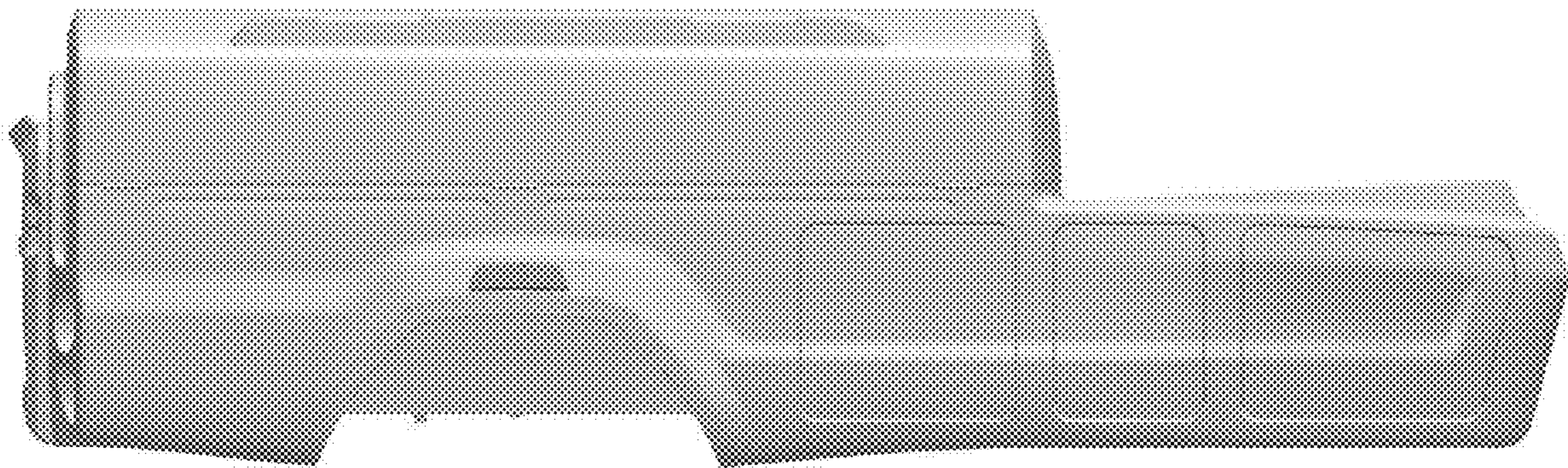


FIG. 6

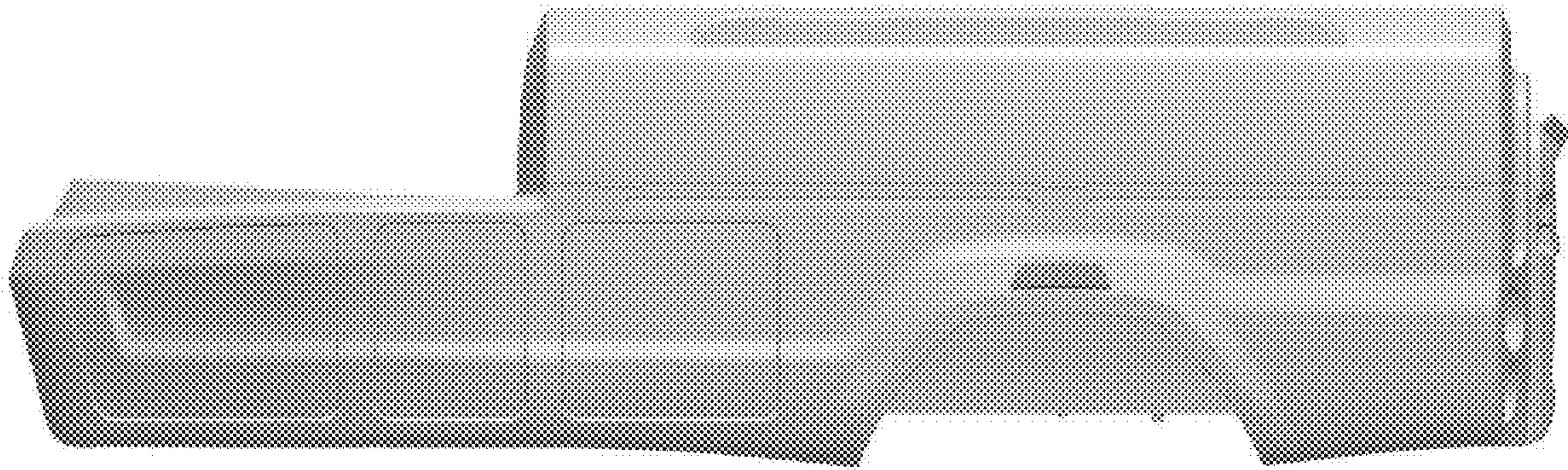


FIG. 7

