



US00D916625S

(12) **United States Design Patent** (10) **Patent No.:** **US D916,625 S**  
**Badstuebner et al.** (45) **Date of Patent:** **\*\* Apr. 20, 2021**

(54) **VEHICLE, TOY, AND/OR REPLICAS THEREOF**

(71) Applicant: **Daimler AG**, Stuttgart (DE)

(72) Inventors: **Achim-Dietrich Badstuebner**, Munich (DE); **Bastian Baudy**, Stuttgart (DE); **Robert Lesnik**, Leonberg (DE); **Gorden Wagener**, Gaeufelden (DE)

(73) Assignee: **Daimler AG**, Stuttgart (DE)

(\*\*) Term: **15 Years**

(21) Appl. No.: **29/729,859**

(22) Filed: **Mar. 31, 2020**

(51) **LOC (13) Cl.** ..... **12-08**

(52) **U.S. Cl.**  
USPC ..... **D12/92**

(58) **Field of Classification Search**  
USPC .... D12/86, 90-92, 164; D21/424, 433, 434, D21/533; 296/181.1-181.5  
CPC ..... B62D 25/00; B62D 25/06; B62D 33/00; B62D 35/00  
See application file for complete search history.

(56) **References Cited**

**U.S. PATENT DOCUMENTS**

D702,156 S	*	4/2014	Futschik	.....	D12/164
D703,112 S	*	4/2014	Futschik	.....	D12/164
D703,113 S	*	4/2014	Futschik	.....	D12/164
D703,584 S		4/2014	Futschik et al.		
D703,590 S	*	4/2014	Futschik	.....	D12/164
D723,982 S		3/2015	Futschik et al.		
D757,611 S	*	5/2016	Lesnik	.....	D12/92
D769,774 S	*	10/2016	Lesnik	.....	D12/92
D813,726 S	*	3/2018	Tanghe	.....	D12/91

D813,727 S	*	3/2018	Beermann	.....	D12/92
D821,919 S	*	7/2018	Simm	.....	D12/91
D825,383 S	*	8/2018	Luk	.....	D12/91
D825,390 S	*	8/2018	Al Attar	.....	D12/92
D826,783 S	*	8/2018	Badstuebner	.....	D12/92
D827,497 S	*	9/2018	Frei	.....	D12/91
D827,514 S	*	9/2018	Badstuebner	.....	D12/164
D831,540 S	*	10/2018	Buckingham	.....	D12/92
D836,490 S	*	12/2018	Futschik	.....	D12/92
D837,692 S	*	1/2019	Badstuebner	.....	D12/91
D862,287 S	*	10/2019	Badstuebner	.....	D12/91
D873,715 S	*	1/2020	Badstuebner	.....	D12/91
D873,716 S	*	1/2020	Badstuebner	.....	D12/91
D886,679 S	*	6/2020	Hellwig	.....	D12/91
D888,623 S	*	6/2020	Vidojkovic	.....	D12/164
D898,627 S	*	10/2020	Johansson	.....	D12/129
D908,885 S	*	1/2021	Lockenwitz	.....	D24/174

\* cited by examiner

*Primary Examiner* — Melody N Brown

(74) *Attorney, Agent, or Firm* — Crowell & Moring LLP

(57) **CLAIM**

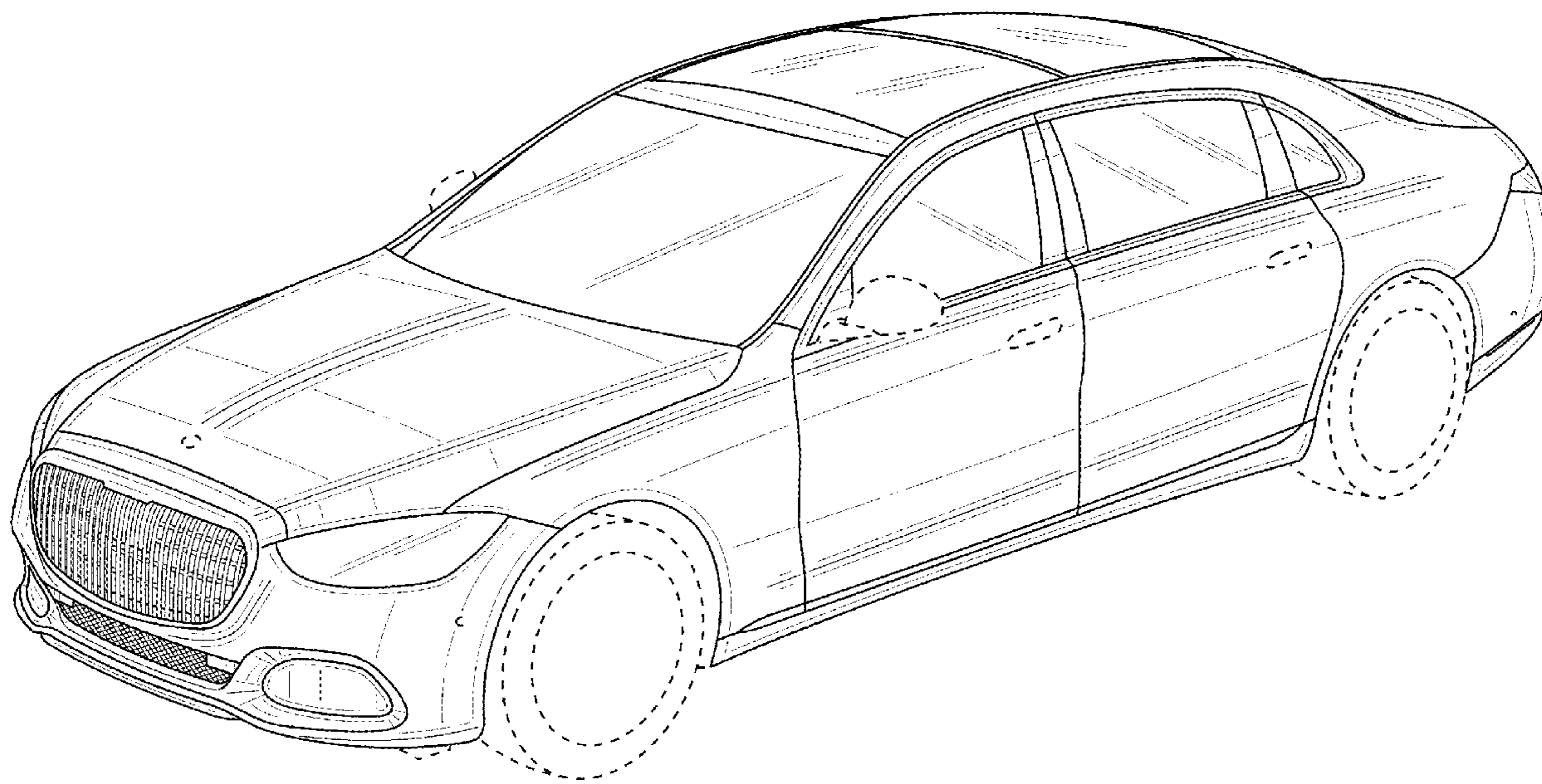
The ornamental design for a vehicle, toy, and/or replicas thereof, as shown and described.

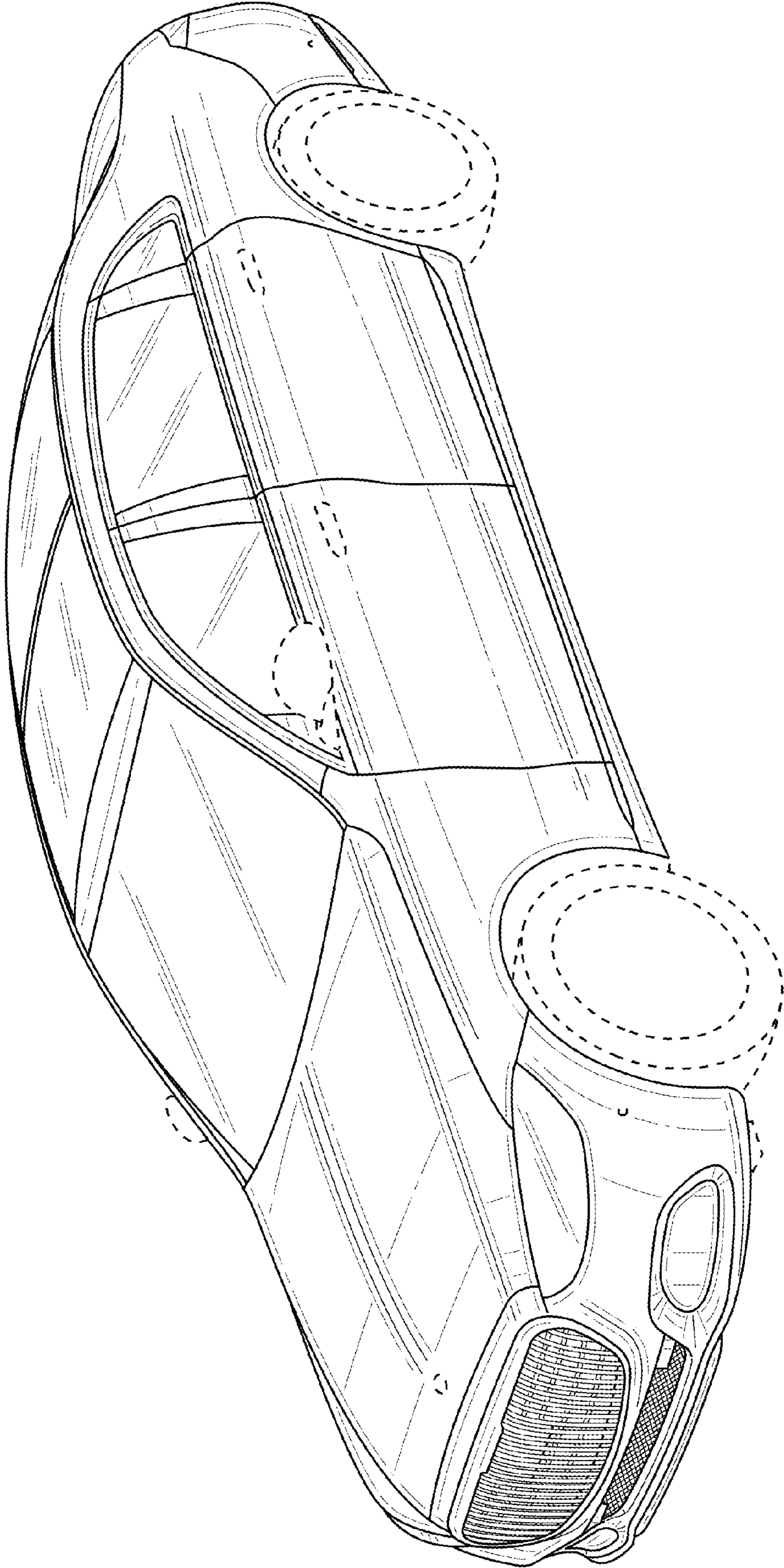
**DESCRIPTION**

FIG. 1 is a left, front perspective view of a vehicle, toy, and/or replicas thereof according to the design;  
FIG. 2 is a left, rear perspective view thereof;  
FIG. 3 is a front view thereof;  
FIG. 4 is a rear view thereof;  
FIG. 5 is a left side view thereof;  
FIG. 6 is a right side view thereof; and,  
FIG. 7 is a top view thereof.

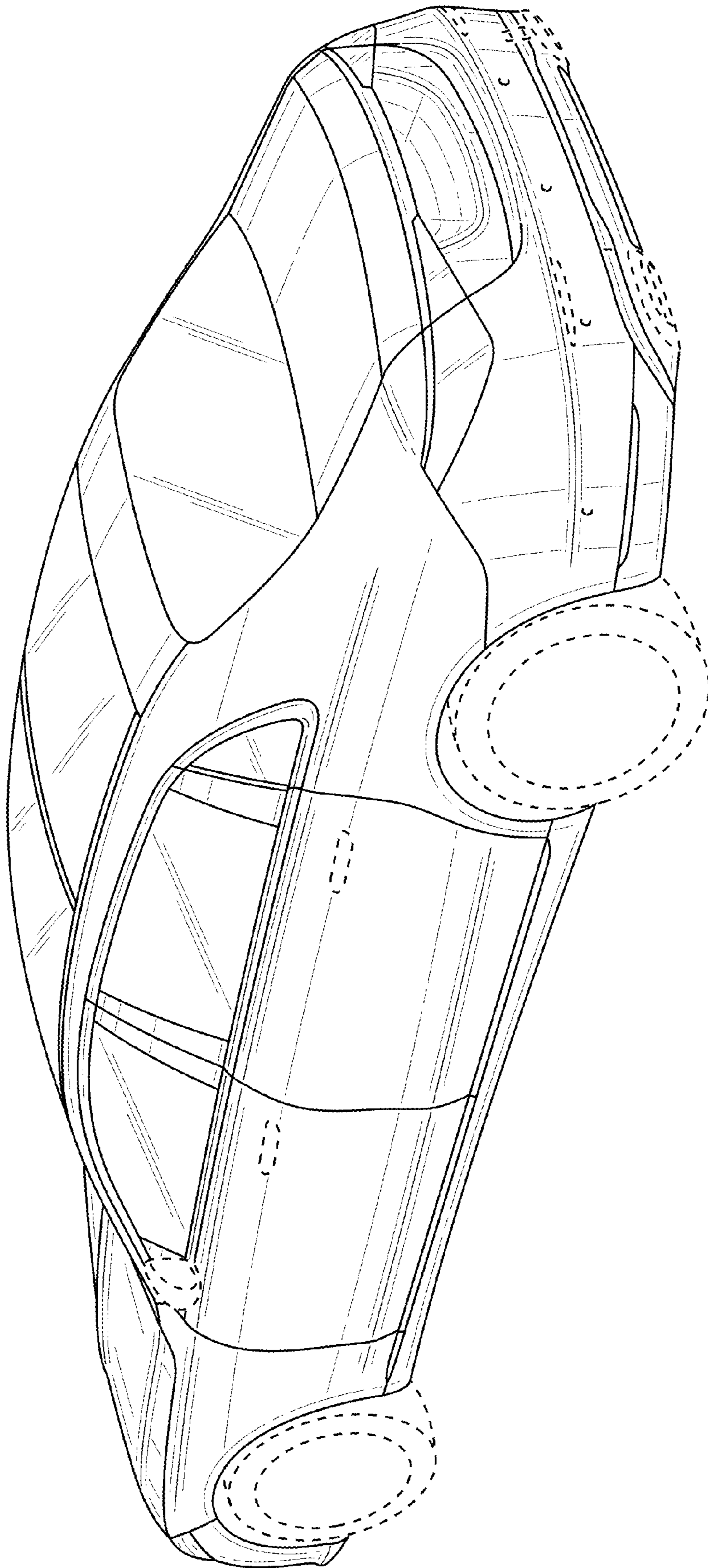
The broken lines in the drawings illustrate environmental subject matter only and form no part of the claimed design.

**1 Claim, 7 Drawing Sheets**

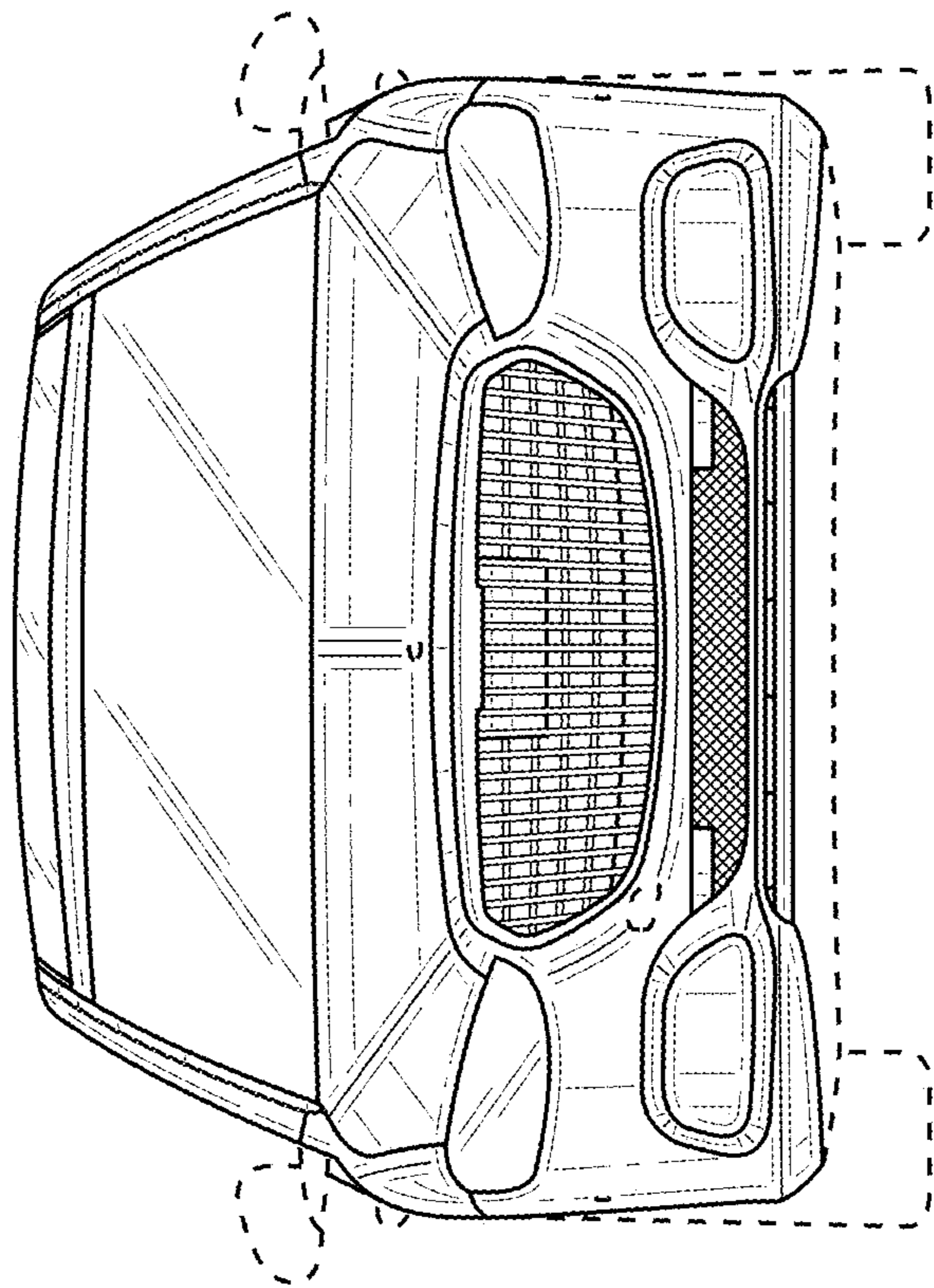




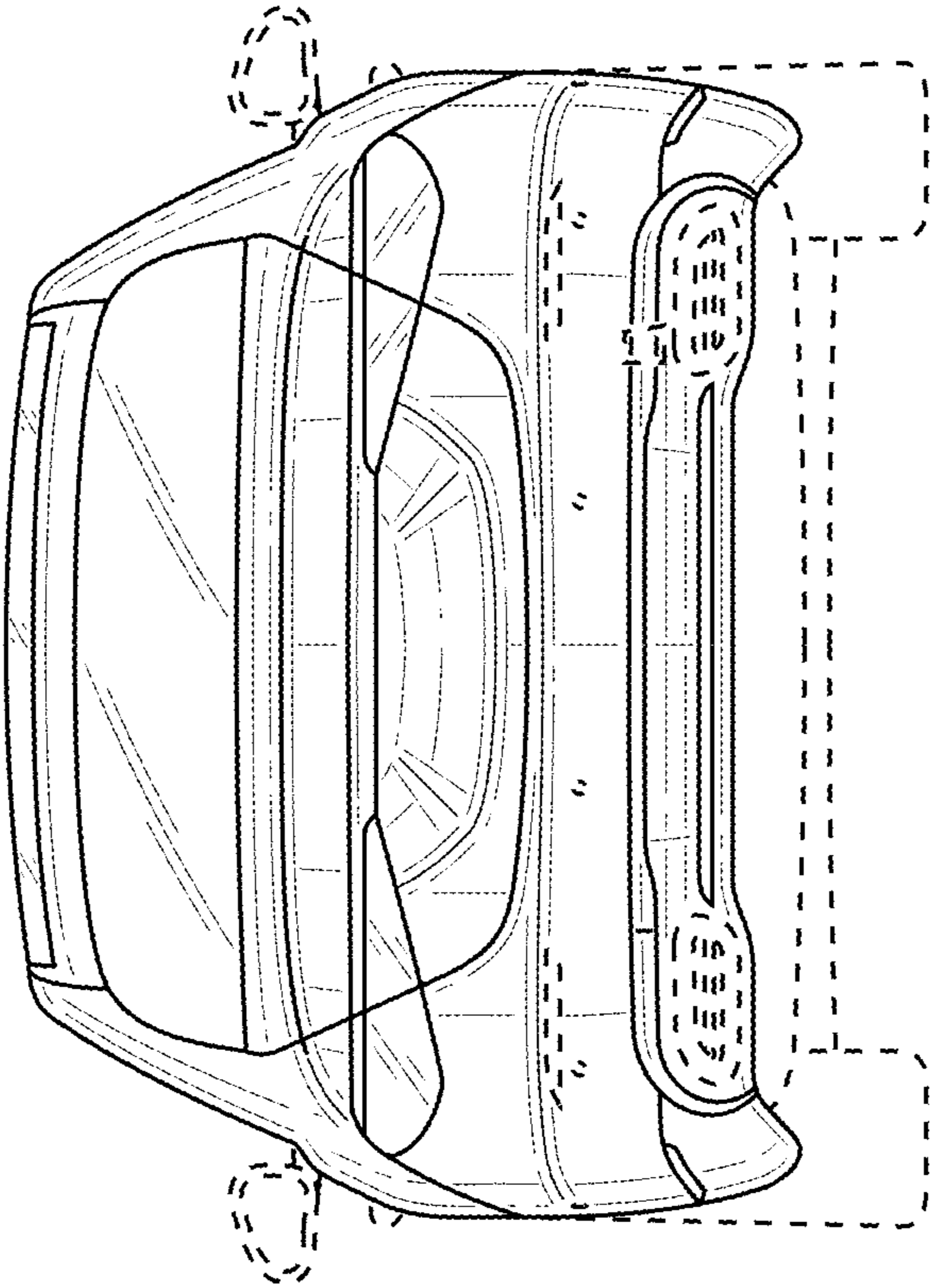
**FIG. 1**



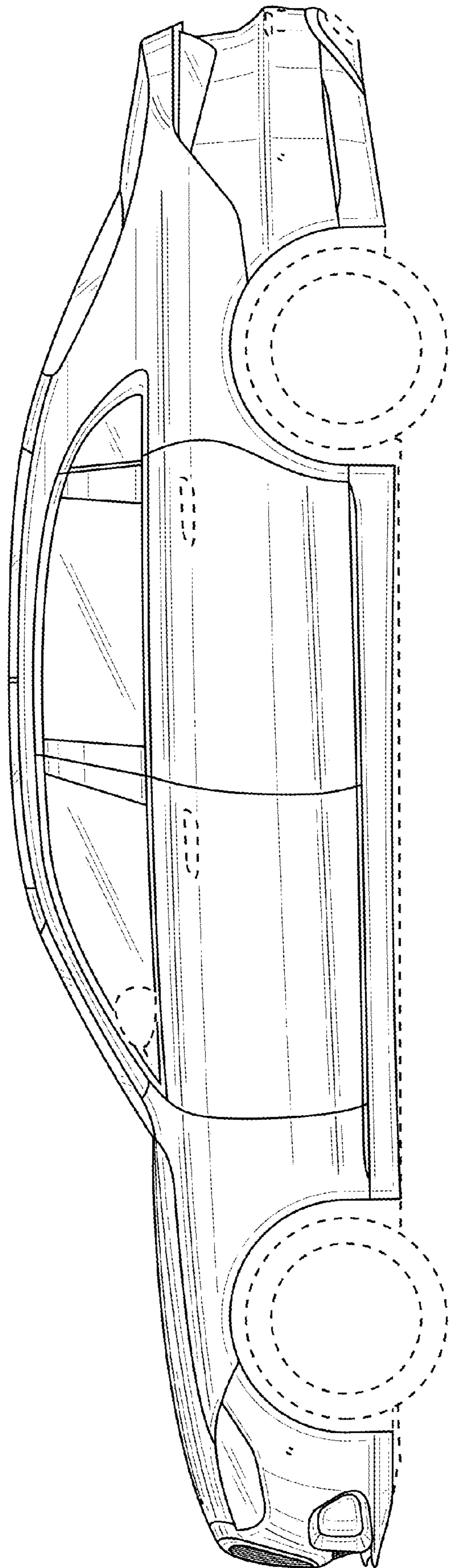
**FIG. 2**



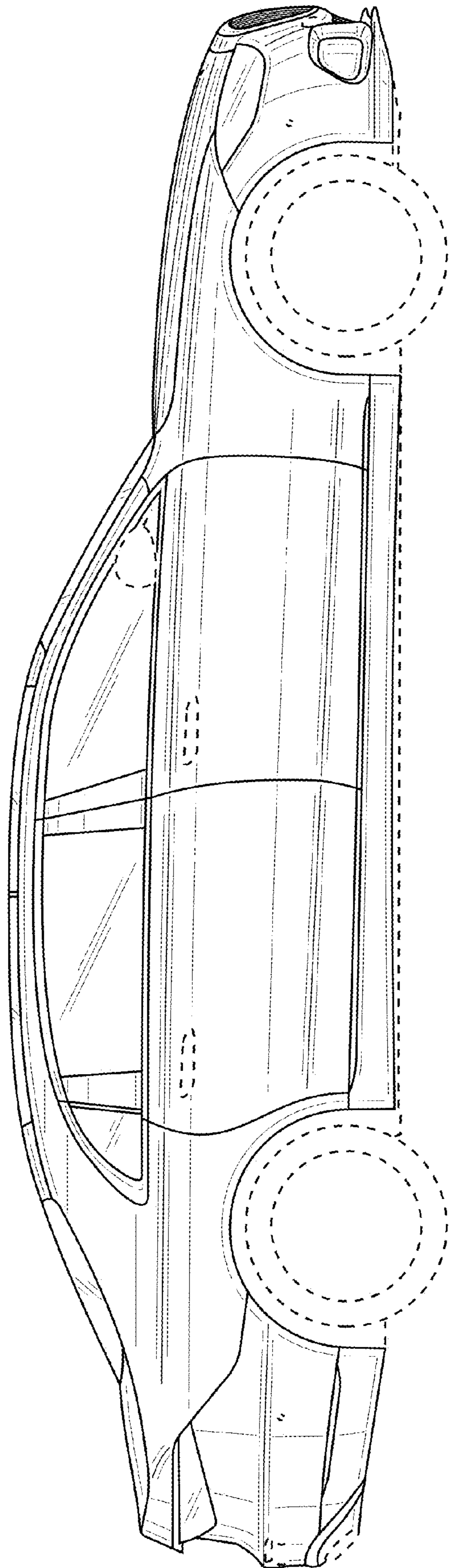
**FIG. 3**



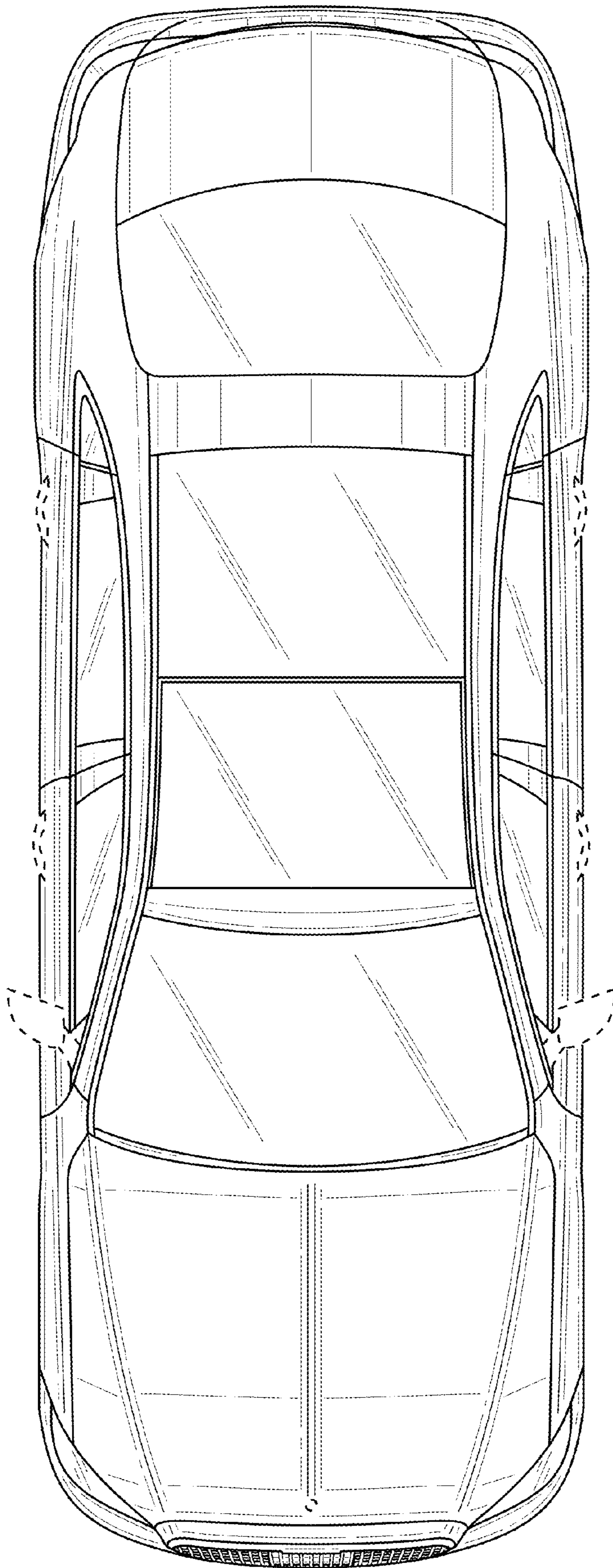
**FIG. 4**



**FIG. 5**



**FIG. 6**



**FIG. 7**