



US00D916622S

(12) **United States Design Patent**
Waltz et al.

(10) **Patent No.:** **US D916,622 S**

(45) **Date of Patent:** **** Apr. 20, 2021**

(54) **GROWING ENCLOSURE**

(71) Applicant: **Rev Grow Gear, LLC**, Morenci, MI
(US)

(72) Inventors: **Thomas Arthur Waltz**, Marco Island,
FL (US); **Joshua Joseph Grzecki**,
Grand Rapids, OH (US)

(73) Assignee: **Rev Grow Gear LLC**, Morenci, MI
(US)

(**) Term: **15 Years**

(21) Appl. No.: **29/710,895**

(22) Filed: **Oct. 28, 2019**

(51) **LOC (13) Cl.** **11-02**

(52) **U.S. Cl.**
USPC **D11/152**

(58) **Field of Classification Search**
USPC D11/143–156, 164; D3/304;
D6/403–405, 556–558; D8/1
CPC ... A01G 5/04; A01G 5/06; A01G 9/00; A01G
9/02; A01G 9/021; A01G 9/023; A01G
9/027; A01G 9/028; A01G 9/029; A01G
9/28; A01G 31/06

See application file for complete search history.

(56) **References Cited**

U.S. PATENT DOCUMENTS

- 2,559,313 A * 7/1951 Nordstrom A47G 7/06
362/154
- 3,015,448 A * 1/1962 Hurless B05B 15/16
239/201
- 3,266,188 A * 8/1966 Budd A01G 13/043
47/29.6
- D241,875 S * 10/1976 Insalaco D11/164
- 3,995,396 A * 12/1976 Spector A01G 9/00
47/69
- 4,128,966 A * 12/1978 Spector A01G 9/00
273/349
- D263,366 S * 3/1982 Strenger D11/164

- D276,898 S * 12/1984 Strenger D11/145
- D307,123 S * 4/1990 Lene D11/151
- 5,675,932 A * 10/1997 Mauney A01G 31/02
47/62 R
- 5,709,049 A * 1/1998 Baird A01G 13/0281
47/21.1

(Continued)

OTHER PUBLICATIONS

Girlz Room Grow System, The Optimal Growing Environment, 4
pages, online at revgrowgear.com, copyright date: 2019.*

Primary Examiner — Elizabeth A. Albert

(74) *Attorney, Agent, or Firm* — Marshall & Melhorn,
LLC

(57) **CLAIM**

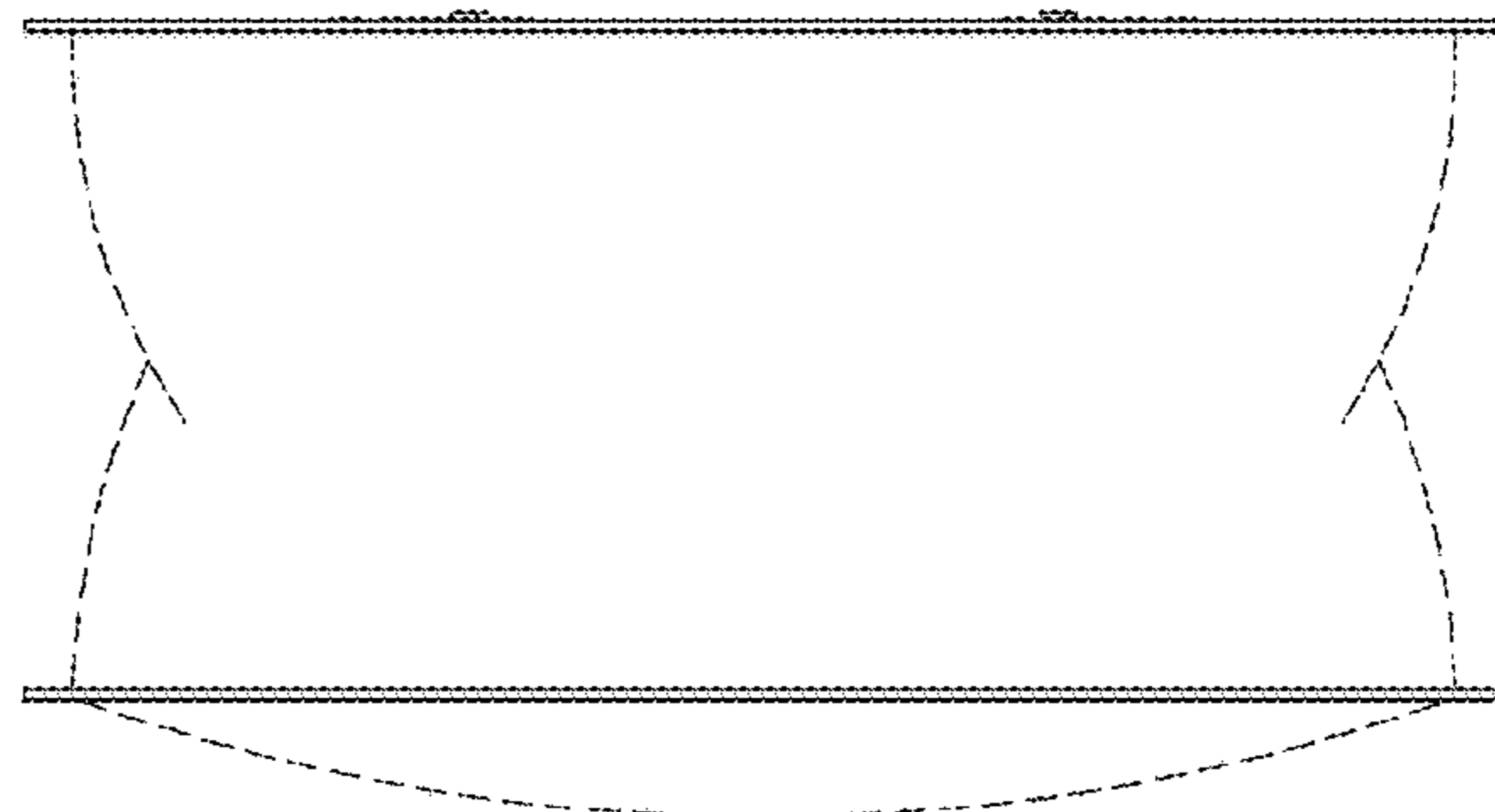
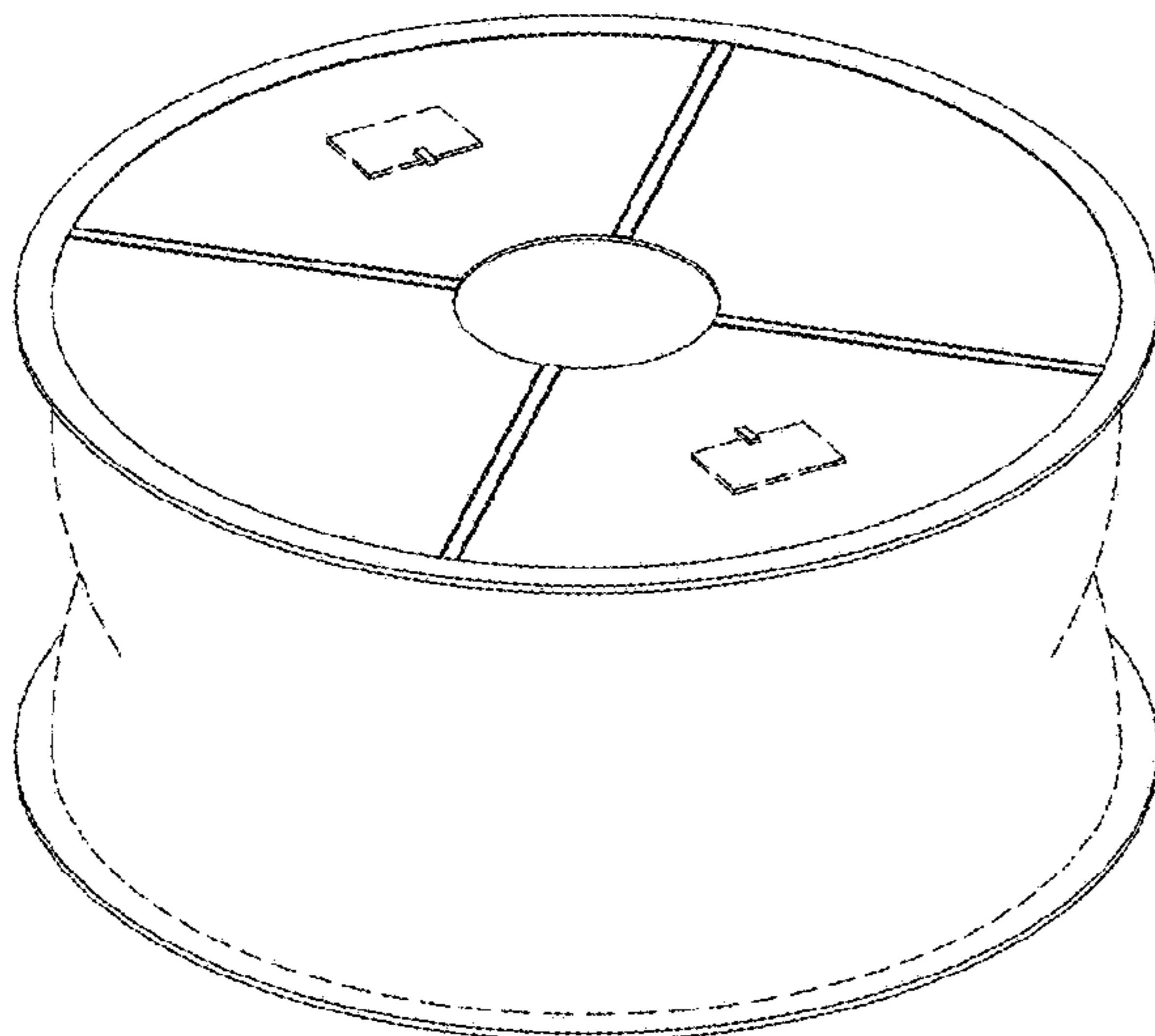
The ornamental design for a growing enclosure, as shown
and described.

DESCRIPTION

FIG. 1 is a top perspective view of a growing enclosure
showing our new design;
FIG. 2 is a bottom perspective view thereof;
FIG. 3 is a side view thereof;
FIG. 4 is a top view thereof;
FIG. 5 is a bottom view thereof;
FIG. 6 is another top perspective view thereof;
FIG. 7 is another bottom perspective view thereof;
FIG. 8 is another side view thereof;
FIG. 9 is another top view thereof;
FIG. 10 is another bottom view thereof;
FIG. 11 is another top perspective view thereof;
FIG. 12 is another bottom perspective view thereof;
FIG. 13 is another side view thereof;
FIG. 14 is another top view thereof; and,
FIG. 15 is another bottom view thereof.

The broken lines in the drawings are included to show
portions of the growing enclosure that form no part of the
claimed design.

1 Claim, 9 Drawing Sheets



(56)

References Cited

U.S. PATENT DOCUMENTS

6,061,954 A * 5/2000 Vanier A01G 13/0237
47/24.1
6,161,333 A * 12/2000 Poston A01G 9/02
47/86
D445,358 S * 7/2001 Simmons D11/152
6,976,334 B1 * 12/2005 Bowditch A01G 13/0281
47/29.1
D686,941 S * 7/2013 Baldwin D11/164
D718,516 S * 12/2014 Zureikat D2/702
9,750,201 B2 * 9/2017 Brown A01G 13/0281
D822,534 S * 7/2018 Croteau D11/145
D826,770 S * 8/2018 Battisti D11/164
10,426,144 B2 * 10/2019 Capodice A01G 9/02
2010/0212222 A1 * 8/2010 Gallo A01G 13/0281
47/17

* cited by examiner

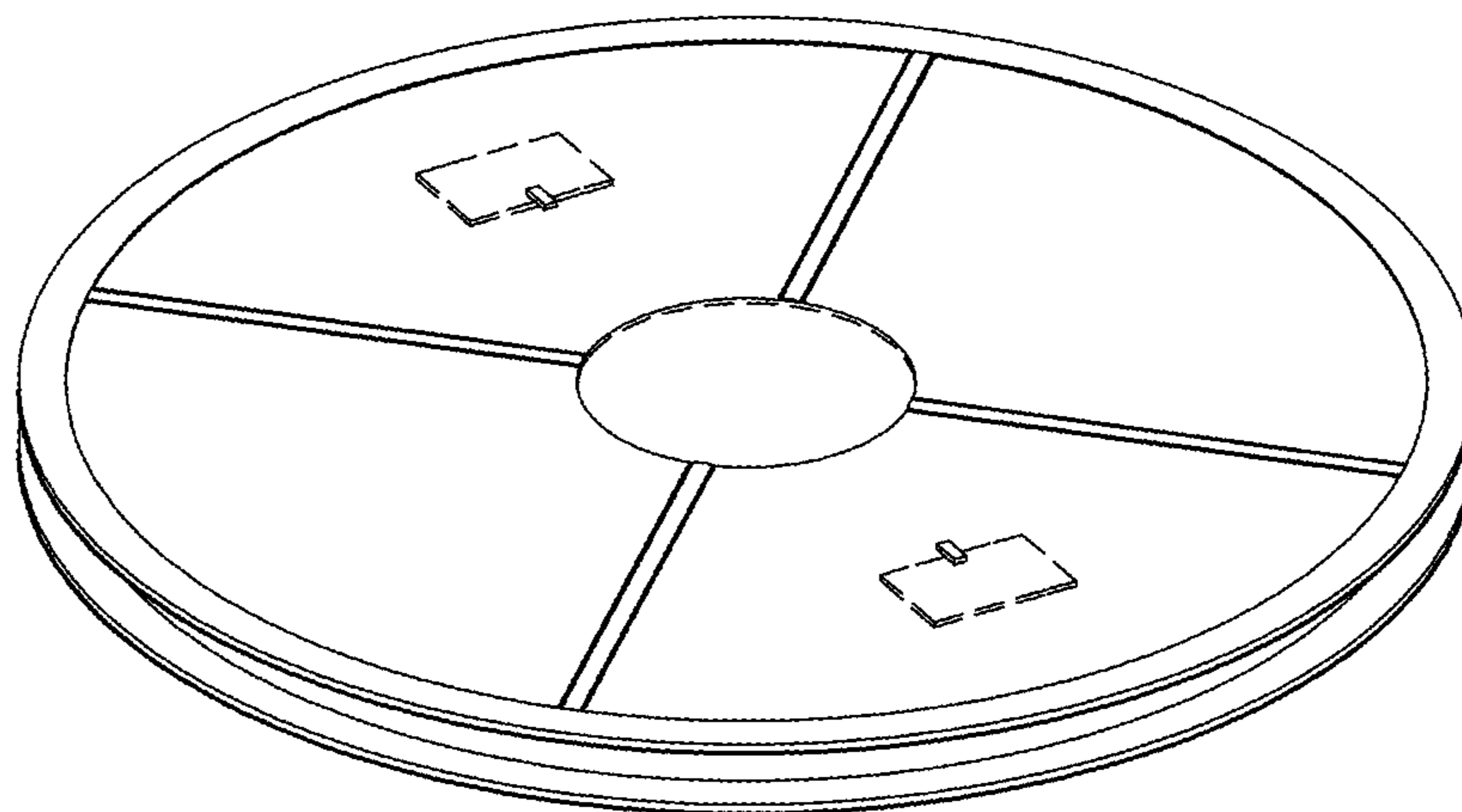


FIG. 1

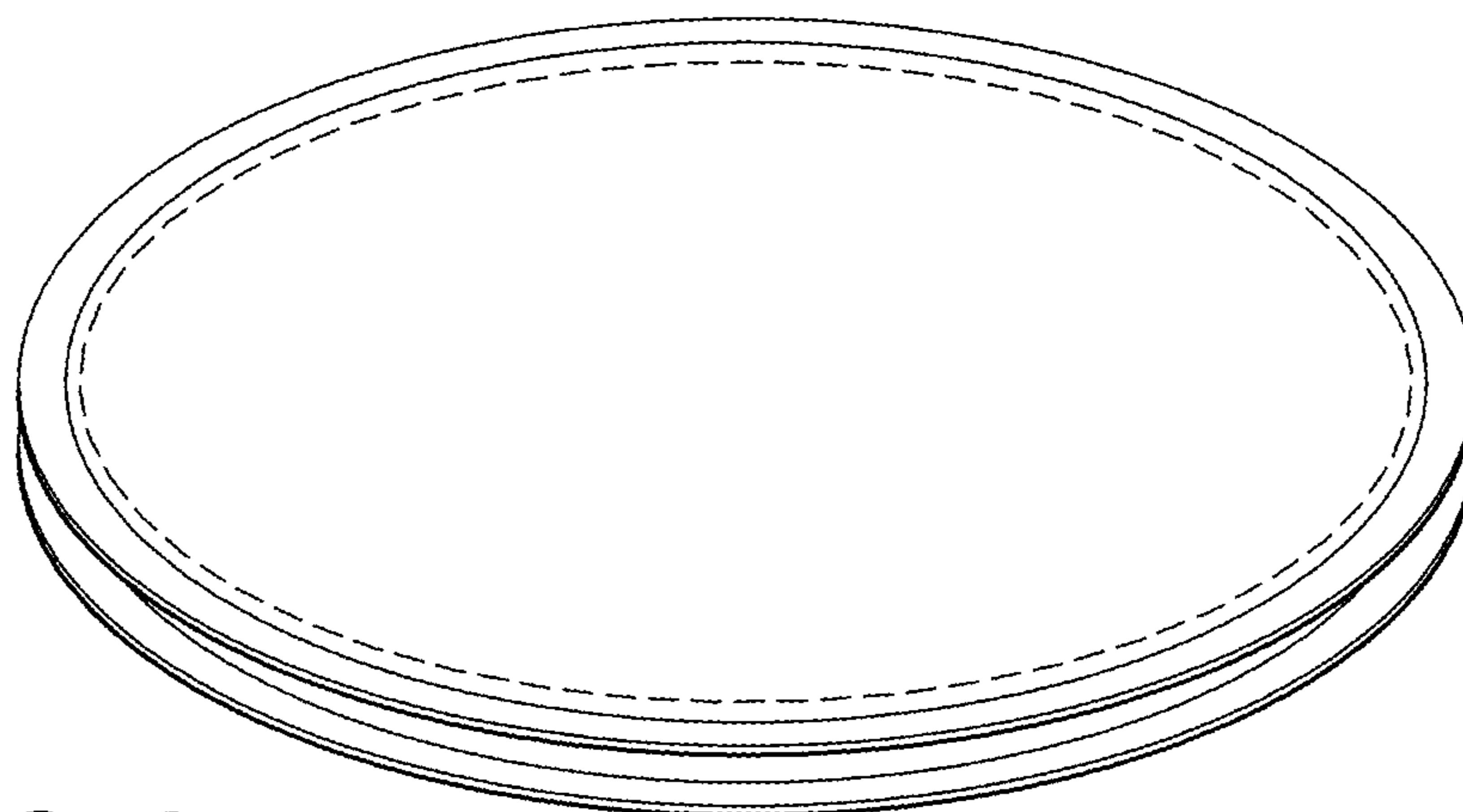


FIG. 2

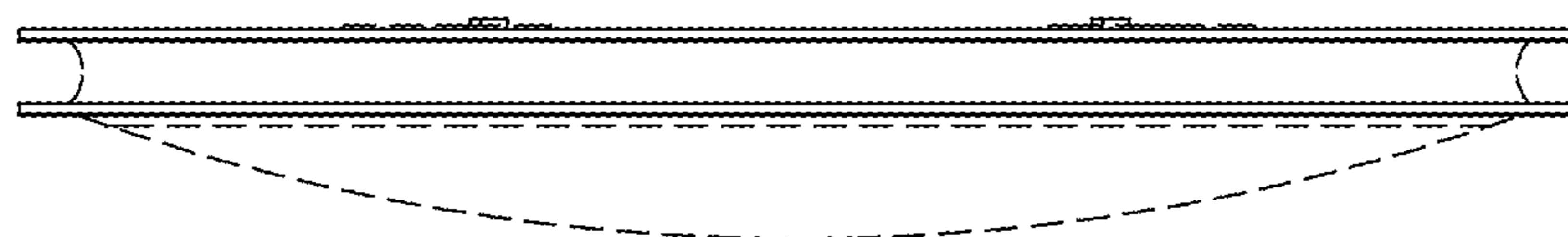


FIG. 3

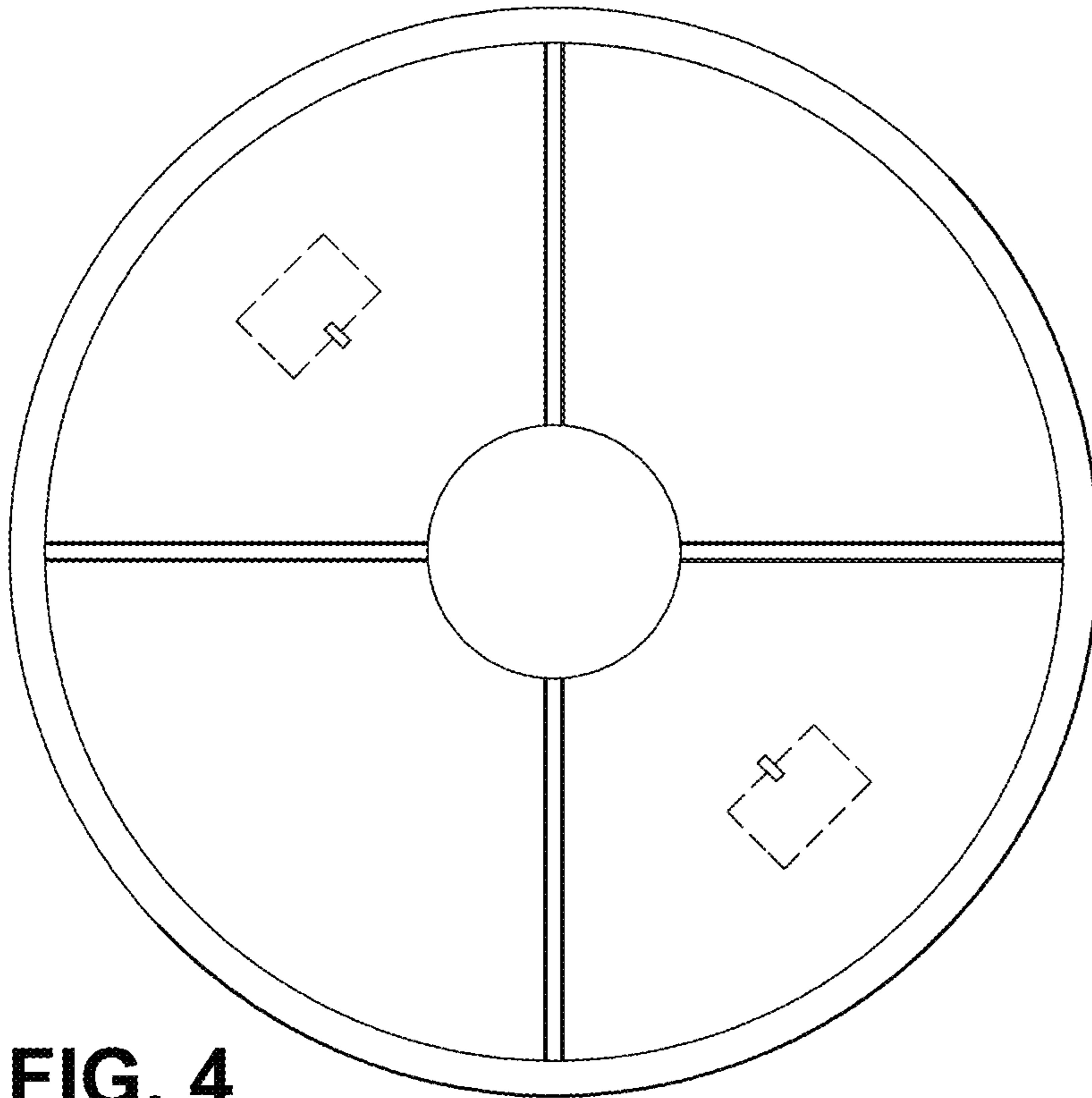


FIG. 4

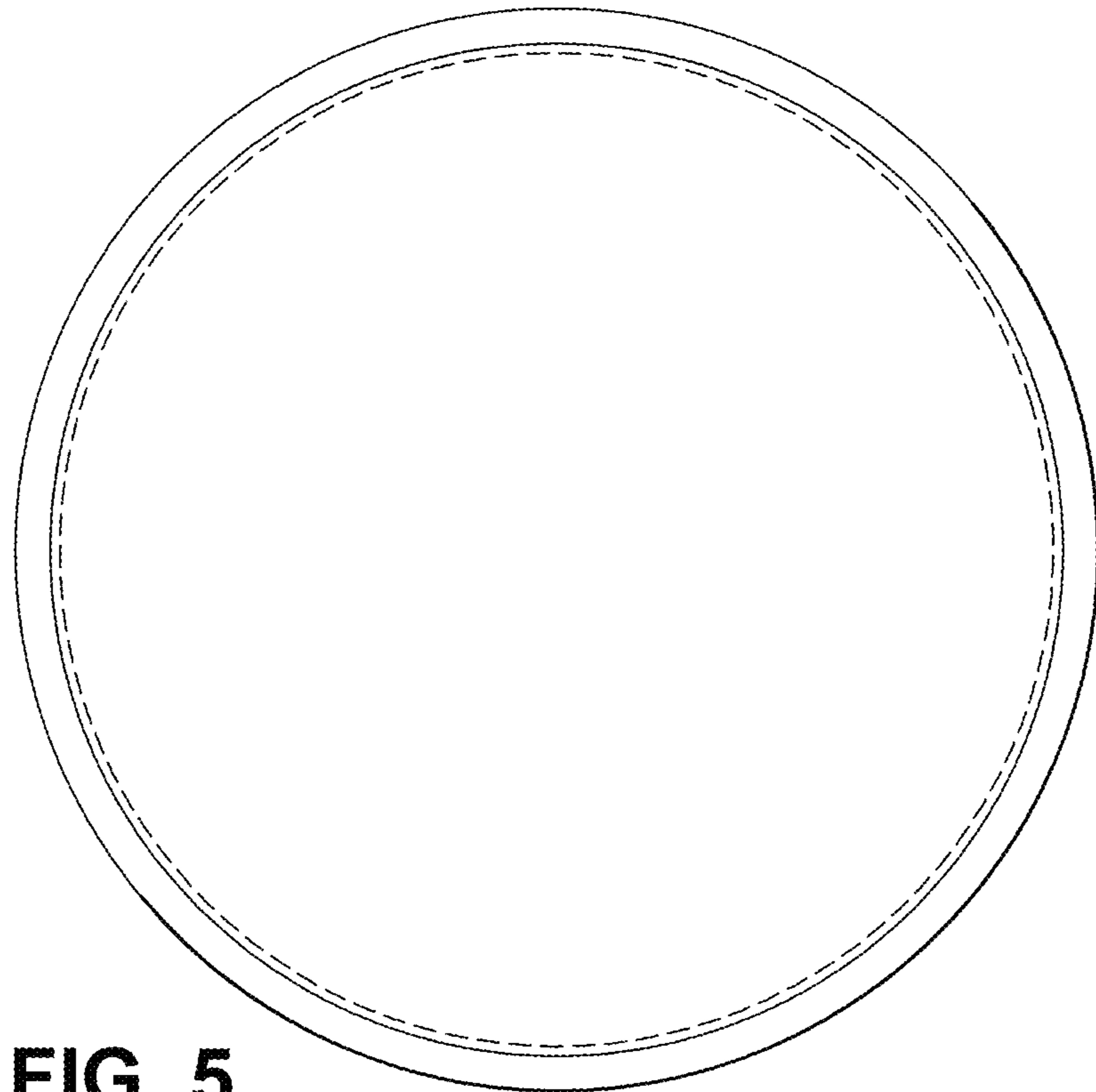
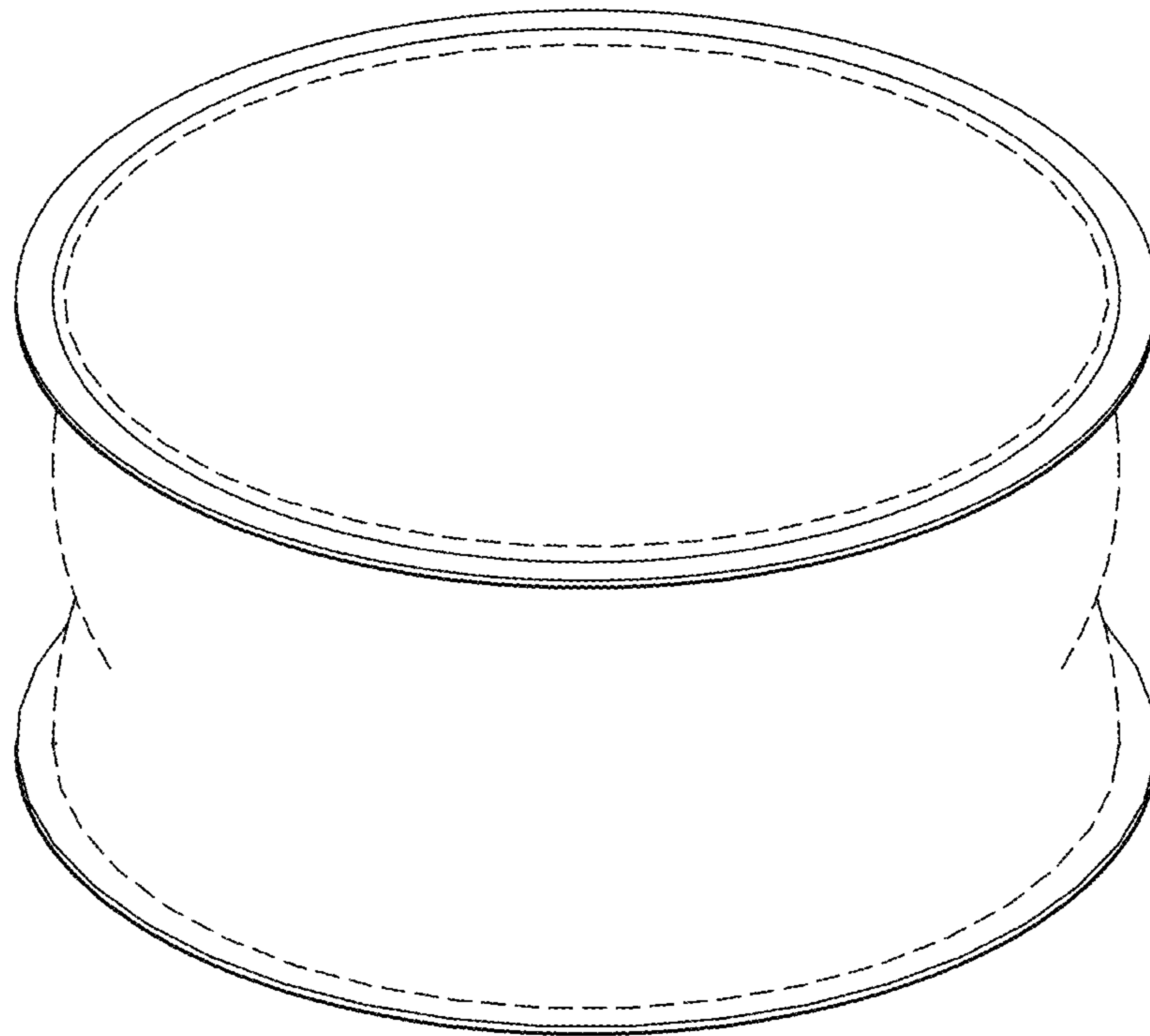
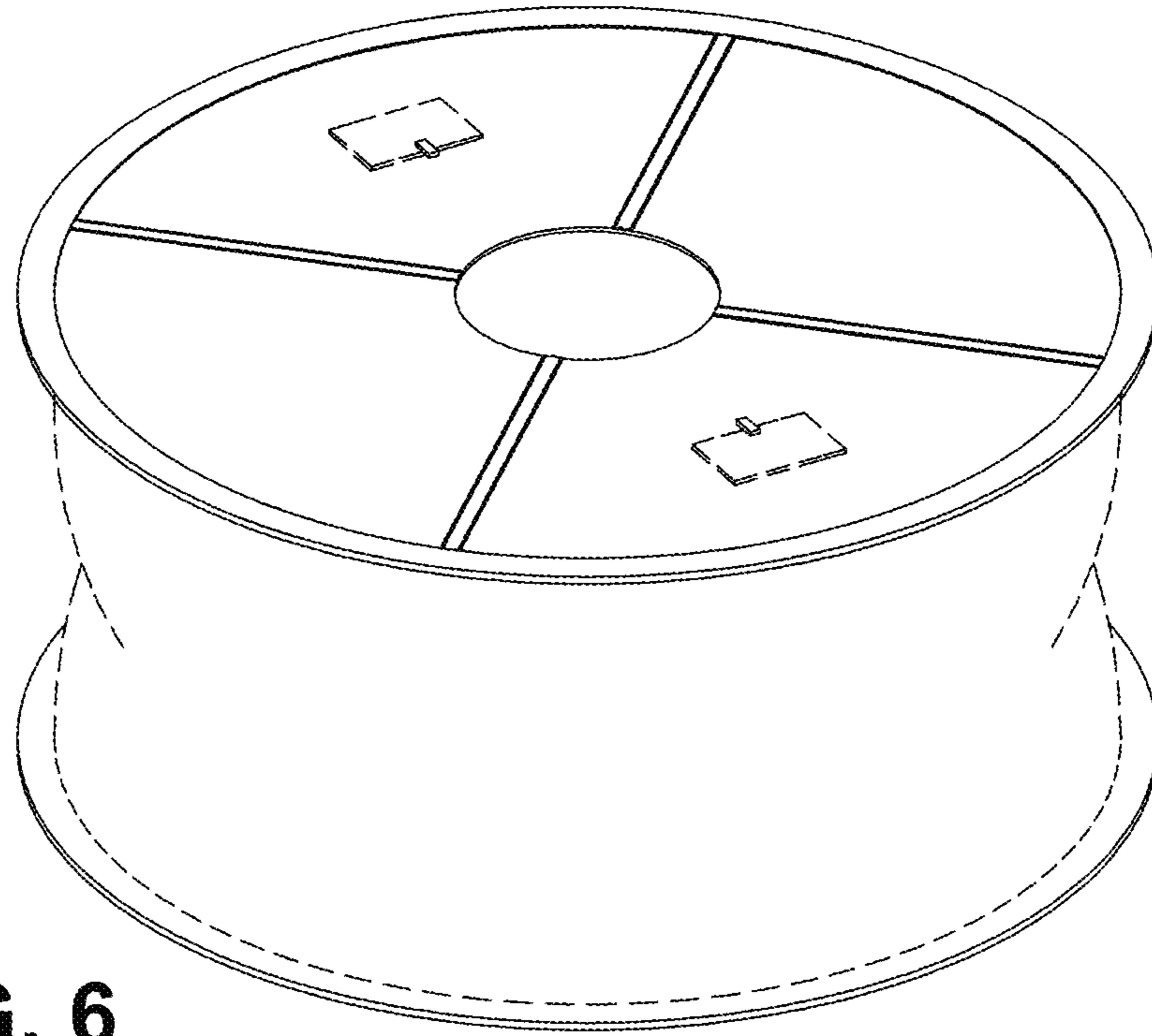


FIG. 5



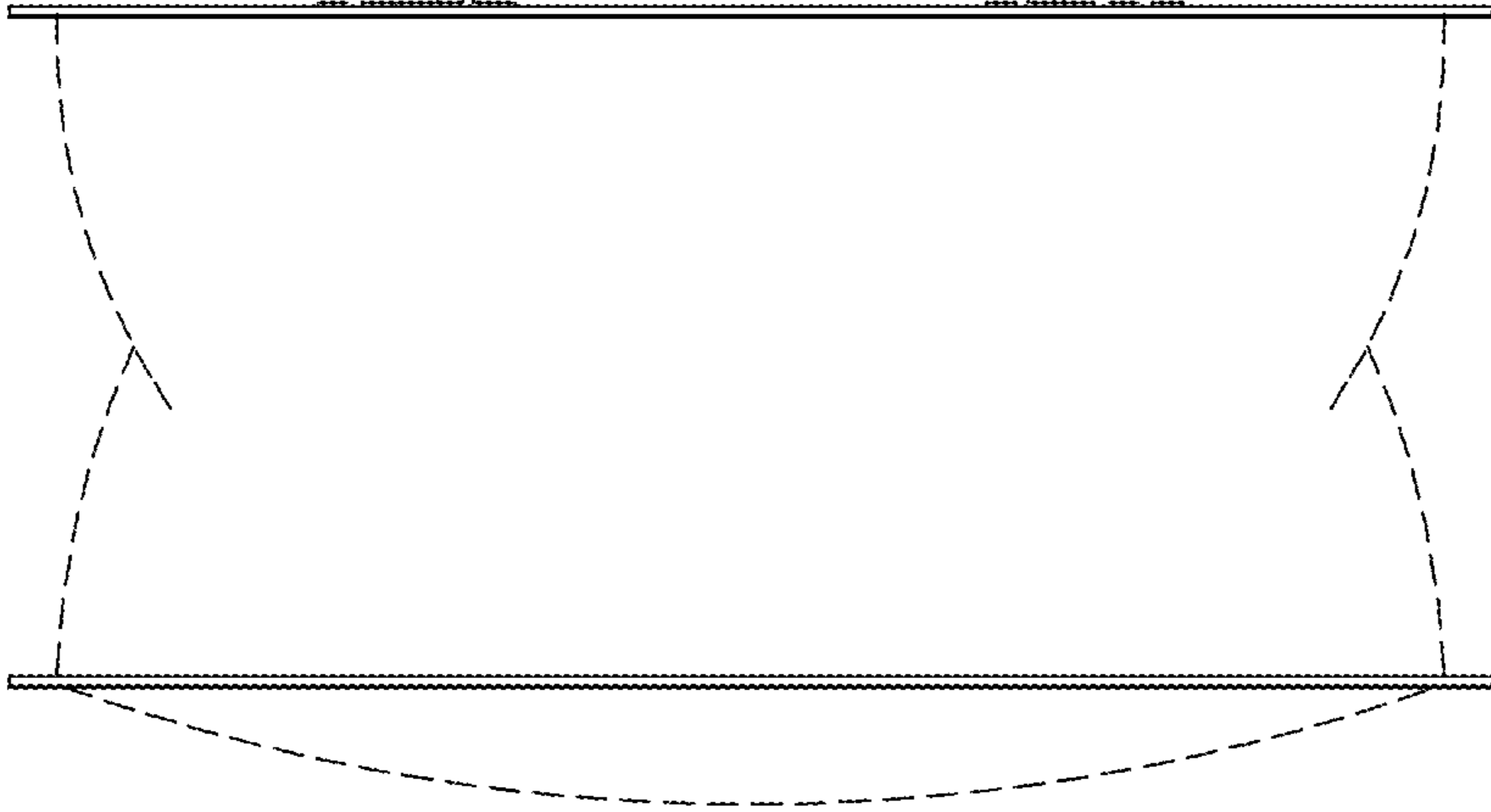


FIG. 8

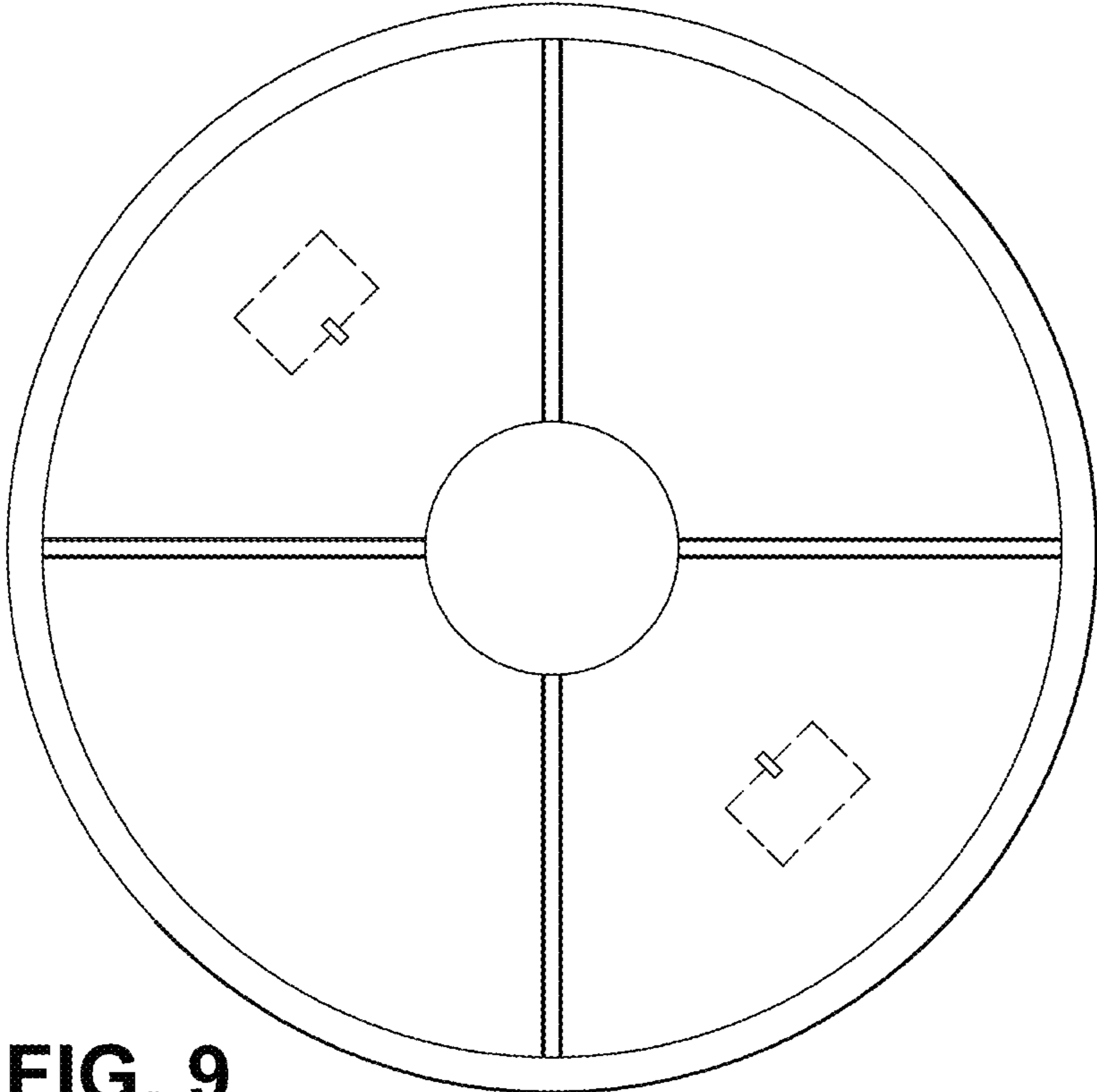


FIG. 9

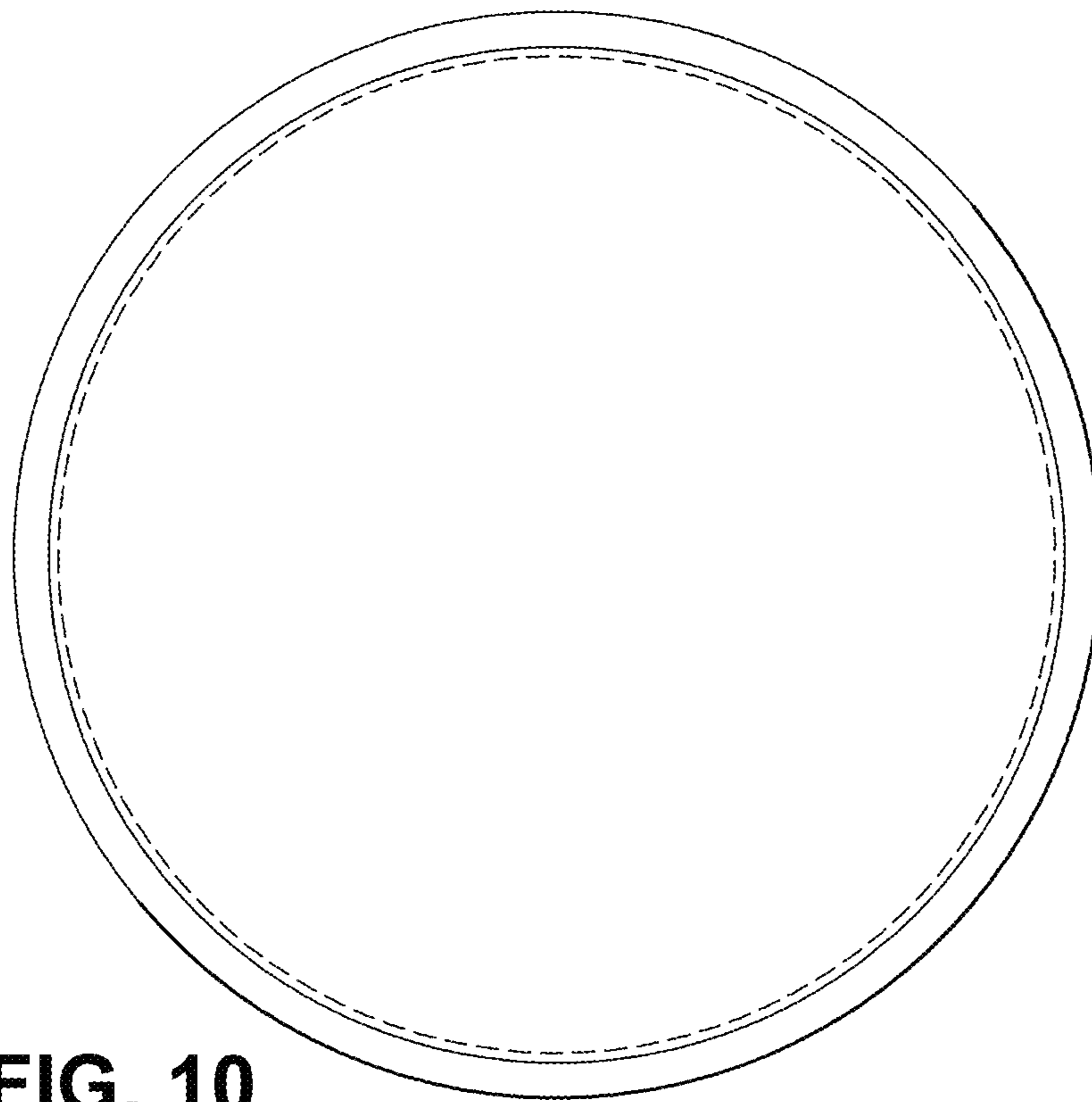


FIG. 10

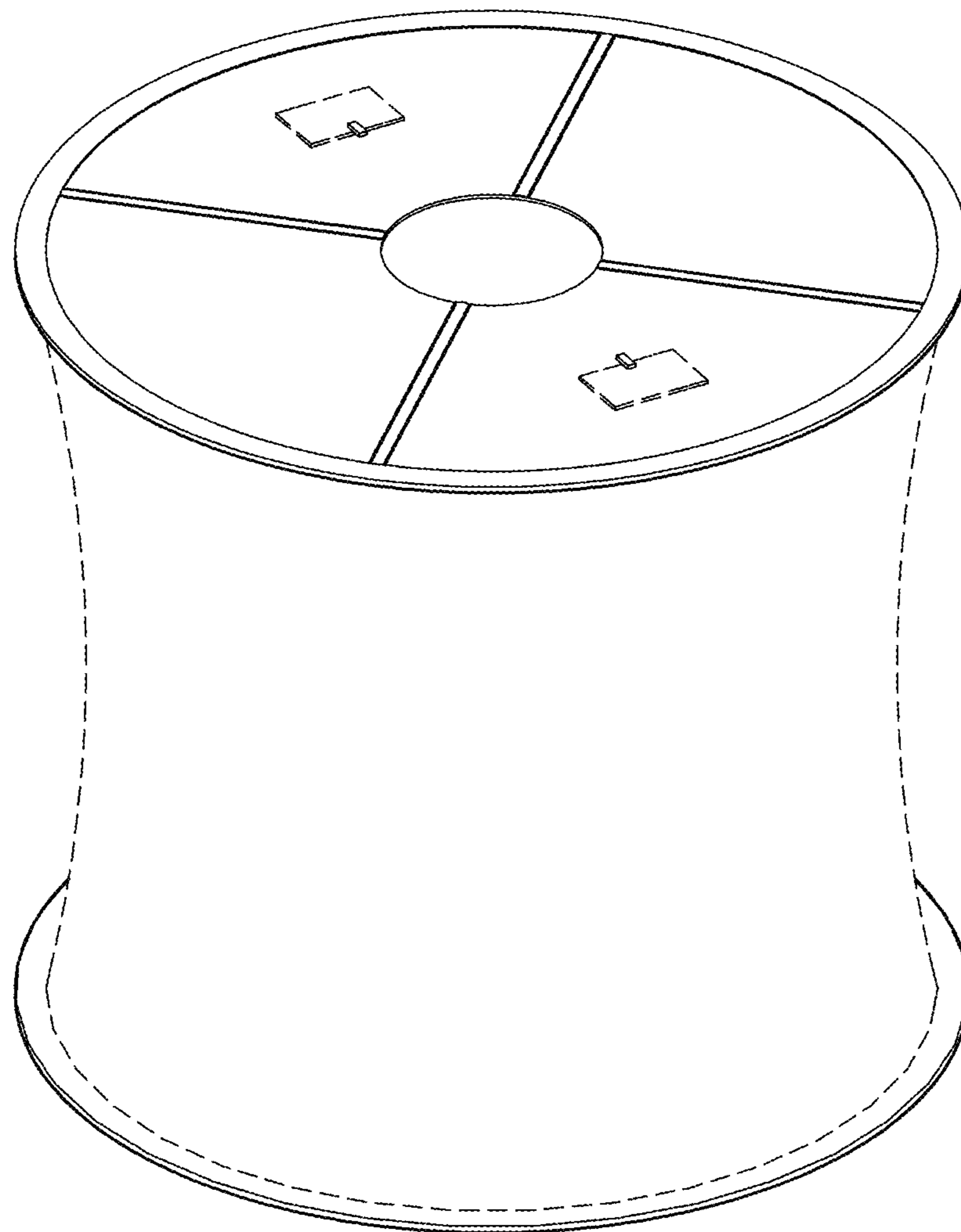


FIG. 11

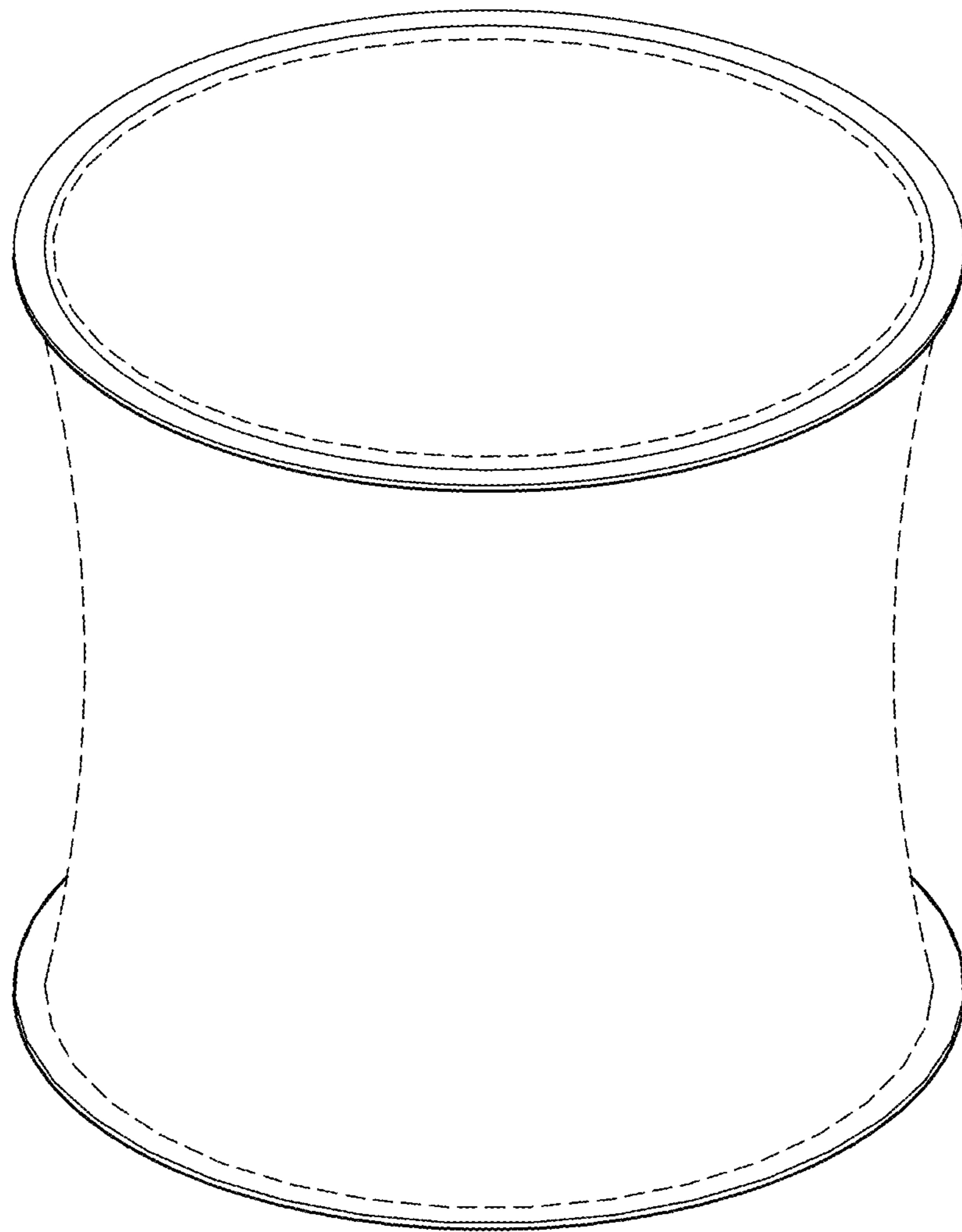


FIG. 12

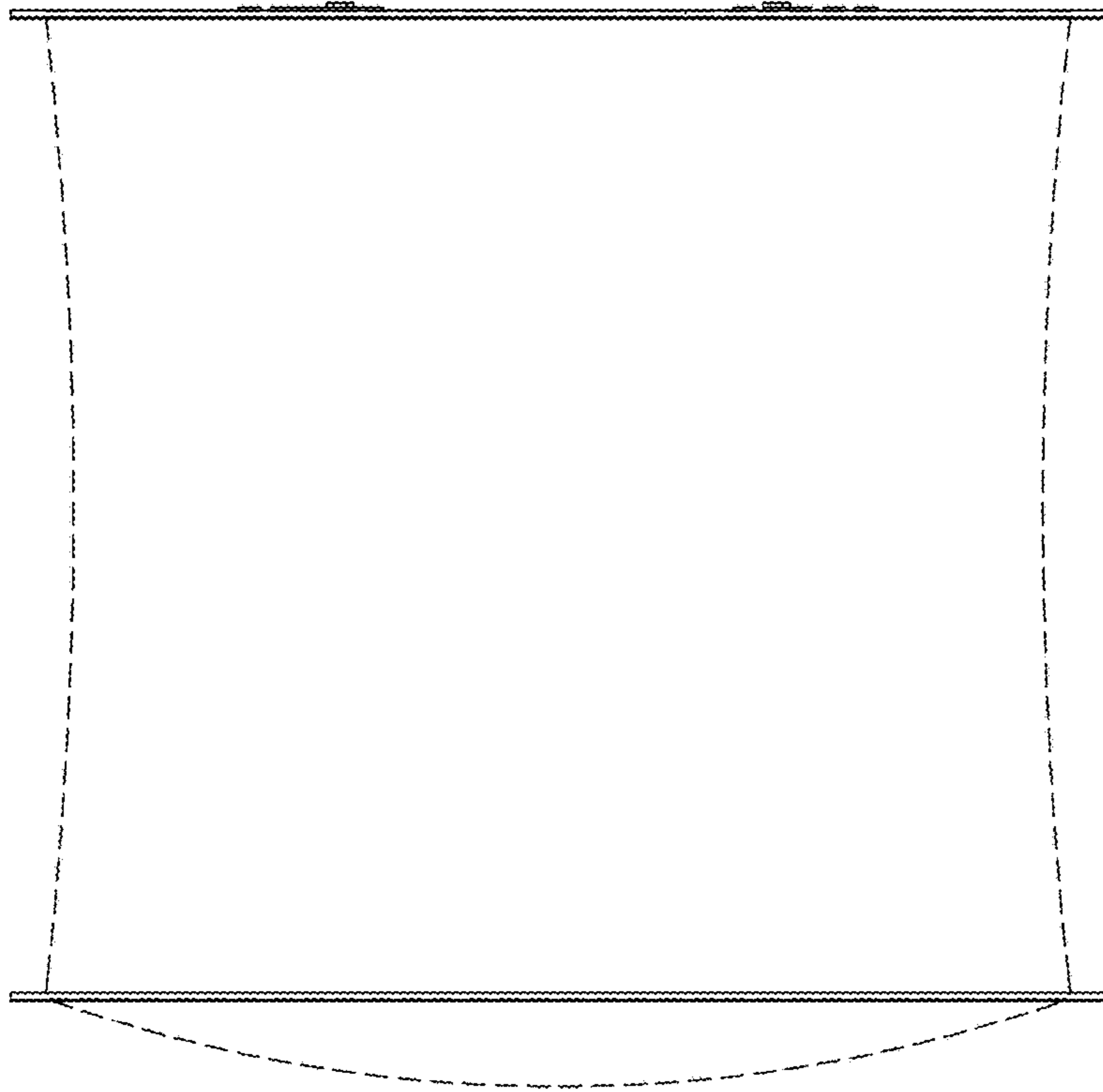


FIG. 13

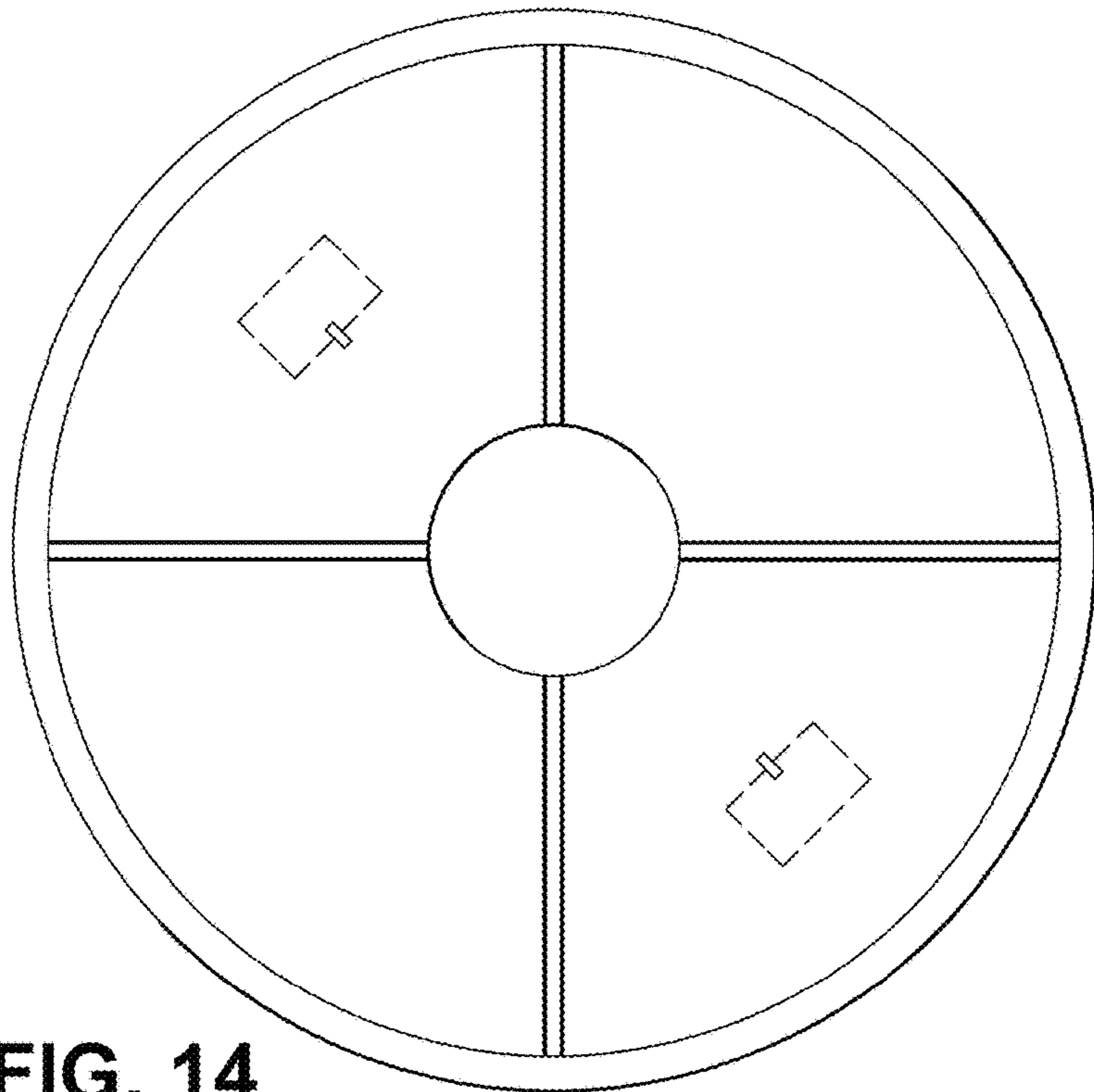


FIG. 14

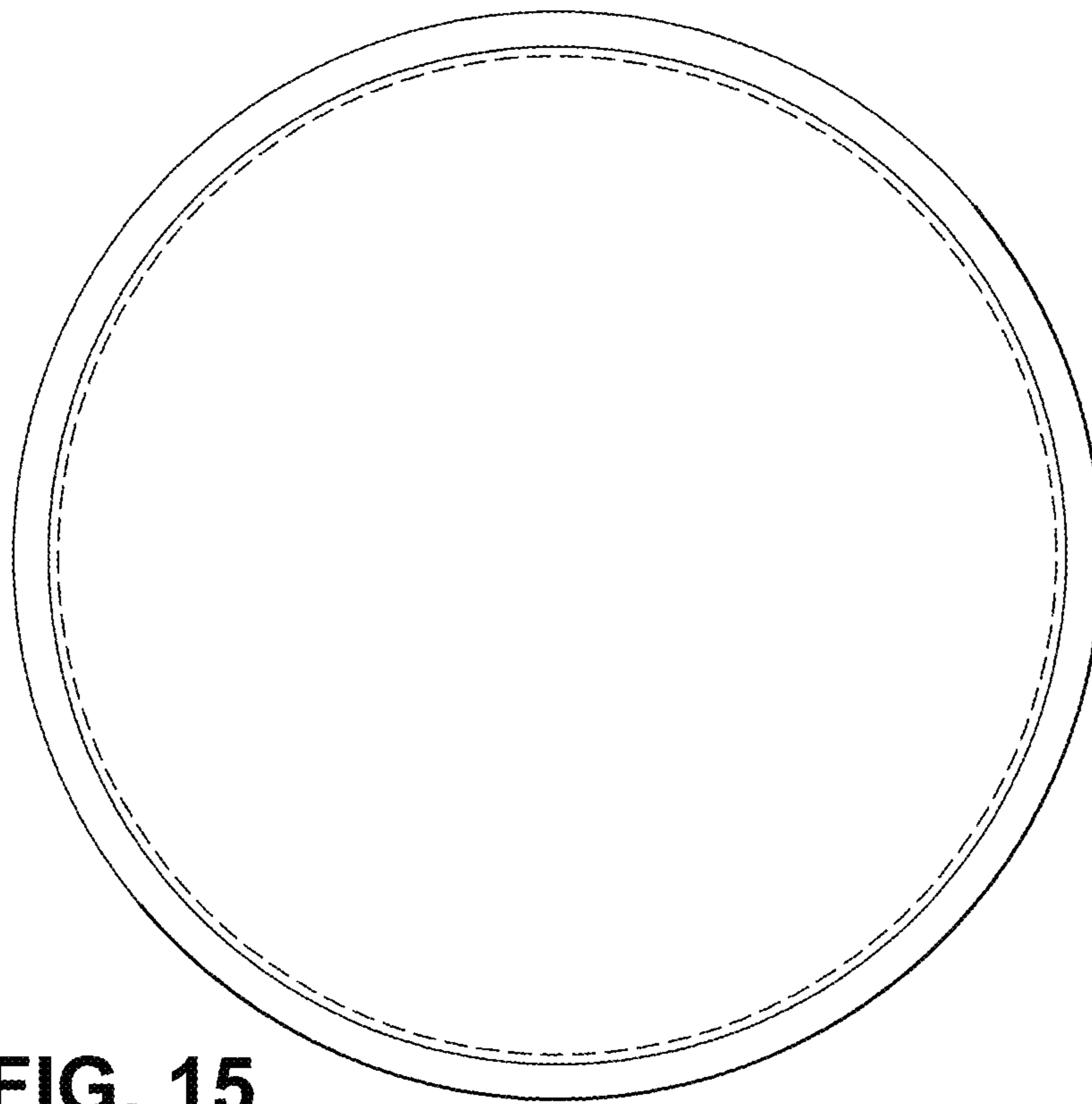


FIG. 15