



US00D916618S

(12) **United States Design Patent**
Coughlin

(10) **Patent No.:** **US D916,618 S**
(45) **Date of Patent:** **** Apr. 20, 2021**

(54) **INTERLOCKED RINGS**

(71) Applicant: **Patrick T. Coughlin**, St. Clair, MI (US)

(72) Inventor: **Patrick T. Coughlin**, St. Clair, MI (US)

(73) Assignee: **4EVER2, LLC**, St. Clair, MI (US)

(**) Term: **15 Years**

(21) Appl. No.: **29/630,510**

(22) Filed: **Dec. 21, 2017**

(51) **LOC (13) Cl.** **11-01**

(52) **U.S. Cl.**
USPC **D11/26**

(58) **Field of Classification Search**
USPC D11/1-25, 26-39, 91, 92, 86, 87
(Continued)

(56) **References Cited**

U.S. PATENT DOCUMENTS

- 1,830,929 A * 11/1931 Cohen A44C 9/003
63/15
- D88,561 S * 12/1932 Levi D11/28
(Continued)

OTHER PUBLICATIONS

[Online] www.4ever2.com. Retrieved Dec. 4, 2020.*

Primary Examiner — Melanie Pellegrini

(74) *Attorney, Agent, or Firm* — Young Basile Hanlon & Macfarlane, P.C.

(57) **CLAIM**

The ornamental design for interlocked rings, as shown and described.

DESCRIPTION

FIG. 1 is a perspective view of interlocked rings according to a first embodiment shown in a worn position on a hand.

FIG. 2 is a perspective view of the interlocked rings of FIG. 1 in the worn position.

FIG. 3 is a front view of the interlocked rings of FIG. 1 in the worn position.

FIG. 4 is a rear view of the interlocked rings of FIG. 1 in the worn position.

FIG. 5 is a left-side view of the interlocked rings of FIG. 1 in the worn position.

FIG. 6 is a right-side view of the interlocked rings of FIG. 1 in the worn position.

FIG. 7 is a top view of the interlocked rings of FIG. 1 in the worn position.

FIG. 8 is a bottom view of the interlocked rings of FIG. 1 in the worn position.

FIG. 9 is a perspective view of the interlocked rings of FIG. 1 in an extended position.

FIG. 10 is a front view of the interlocked rings of FIG. 1 in the extended position.

FIG. 11 is a rear view of the interlocked rings of FIG. 1 in the extended position.

FIG. 12 is a left-side view of the interlocked rings of FIG. 1 in the extended position.

FIG. 13 is a right-side view of the interlocked rings of FIG. 1 in the extended position.

FIG. 14 is a top view of the interlocked rings of FIG. 1 in the extended position.

FIG. 15 is a bottom view of the interlocked rings of FIG. 1 in the extended position.

FIG. 16 is a perspective view of interlocked rings according to a second embodiment shown in a worn position on a hand.

FIG. 17 is a perspective view of the interlocked rings of FIG. 16 in the worn position.

FIG. 18 is a front view of the interlocked rings of FIG. 16 in the worn position.

FIG. 19 is a rear view of the interlocked rings of FIG. 16 in the worn position.

FIG. 20 is a left-side view of the interlocked rings of FIG. 16 in the worn position.

FIG. 21 is a right-side view of the interlocked rings of FIG. 16 in the worn position.

FIG. 22 is a top view of the interlocked rings of FIG. 16 in the worn position.

FIG. 23 is a bottom view of the interlocked rings of FIG. 16 in the worn position.

(Continued)

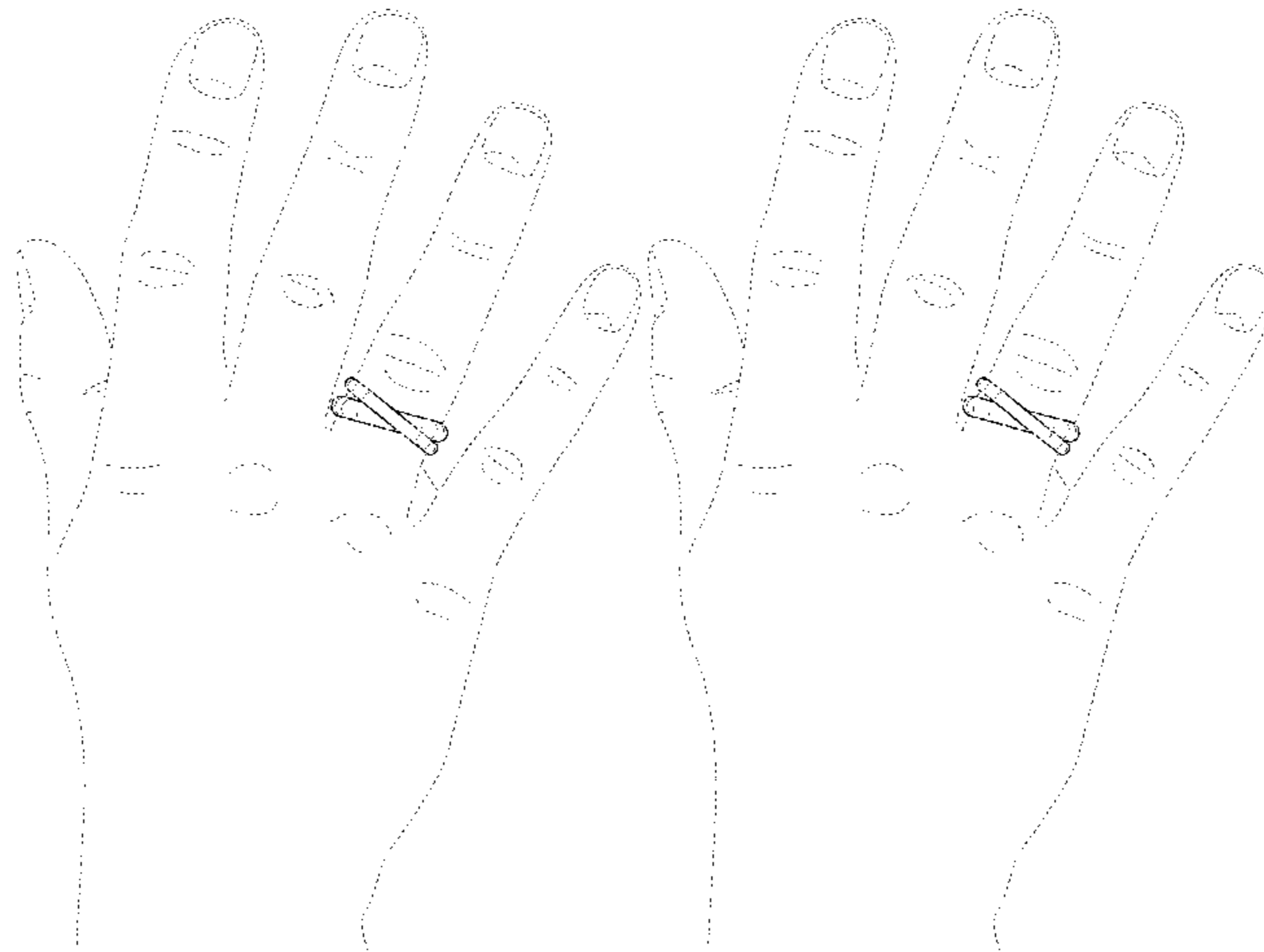


FIG. 24 is a perspective view of the interlocked rings of FIG. 16 in an extended position.

FIG. 25 is a front view of the interlocked rings of FIG. 16 in the extended position.

FIG. 26 is a rear view of the interlocked rings of FIG. 16 in the extended position.

FIG. 27 is a left-side view of the interlocked rings of FIG. 16 in the extended position.

FIG. 28 is a right-side view of the interlocked rings of FIG. 16 in the extended position.

FIG. 29 is a top view of the interlocked rings of FIG. 16 in the extended position; and,

FIG. 30 is a bottom view of the interlocked rings of FIG. 16 in the extended position.

In the drawings, the ornamental design that is claimed is shown in solid lines. The stippling shown in FIGS. 2, 9, 10, 17, 24 and 25 represents a contrasting material. The broken lines form no part of the claimed design.

1 Claim, 18 Drawing Sheets

(58) **Field of Classification Search**

CPC A44C 5/00; A44C 5/0007; A44C 5/0014; A44C 5/0023; A44C 5/003; A44C 5/0038; A44C 5/0046; A44C 5/0053; A44C 5/0061; A44C 5/0069; A44C 5/0076; A44C 5/0084; A44C 5/0092; A44C 5/02; A44C 5/022; A44C 5/025; A44C 5/027; A44C 9/00; A44C 9/0007; A44C 9/0015; A44C 9/0023; A44C 9/003; A44C 9/0038; A44C 9/0046; A44C 9/0053; A44C 9/0061; A44C 9/0069; A44C 9/0076; A44C 9/0084; A44C 9/0092; A44C 9/02; A44C 17/02; A44C 17/0208; A44C 17/0215; A44C 17/0225; A44C 17/0233; A44C 17/0241; A44C 17/025; A44C 17/0258; A44C 17/0266;

A44C 17/0275; A44C 17/0283; A44C 17/0291

See application file for complete search history.

(56)

References Cited

U.S. PATENT DOCUMENTS

1,950,526	A *	3/1934	Stetter	A44C 9/00 63/15.5
1,972,128	A *	9/1934	Bobbroff	A44C 9/0015 63/15
D140,231	S *	2/1945	Koenig	D11/39
D203,551	S *	1/1966	Tranfield	D11/26
D256,403	S *	8/1980	Hocq	D11/202
4,362,031	A *	12/1982	Obermuller	A44C 9/0015 63/15
D316,530	S *	4/1991	Clifton	D11/202
D423,393	S *	4/2000	Morris	D11/26
D424,967	S *	5/2000	Perrin	D11/28
D436,884	S *	1/2001	Cabarbaye	D11/26
D442,509	S *	5/2001	Yamanaka	D11/26
6,581,413	B1 *	6/2003	Kadosh	A44C 9/0076 63/1.11
D515,964	S *	2/2006	D'Annunzio	D11/37
D515,965	S *	2/2006	D'Annunzio	D11/37
D545,236	S *	6/2007	Allin	D11/79
D626,025	S *	10/2010	Iacomucci	D11/26
D631,382	S *	1/2011	Iacomucci	D11/26
D659,045	S *	5/2012	Fillon	D11/34
D659,581	S *	5/2012	Fillon	D11/26
D678,101	S *	3/2013	Parvex	D11/1
D778,198	S *	2/2017	Verdeille	D11/4
D794,495	S *	8/2017	Morin	D11/26
D832,131	S *	10/2018	Hu	D11/4
D843,874	S *	3/2019	Yamada	D11/26
2004/0177647	A1 *	9/2004	Dennis	A44C 17/0208 63/29.1
2008/0006055	A1 *	1/2008	Silvant	A44C 9/003 63/10
2014/0157826	A1 *	6/2014	Witukiewicz	A44C 9/0015 63/15.5

* cited by examiner

FIG. 1

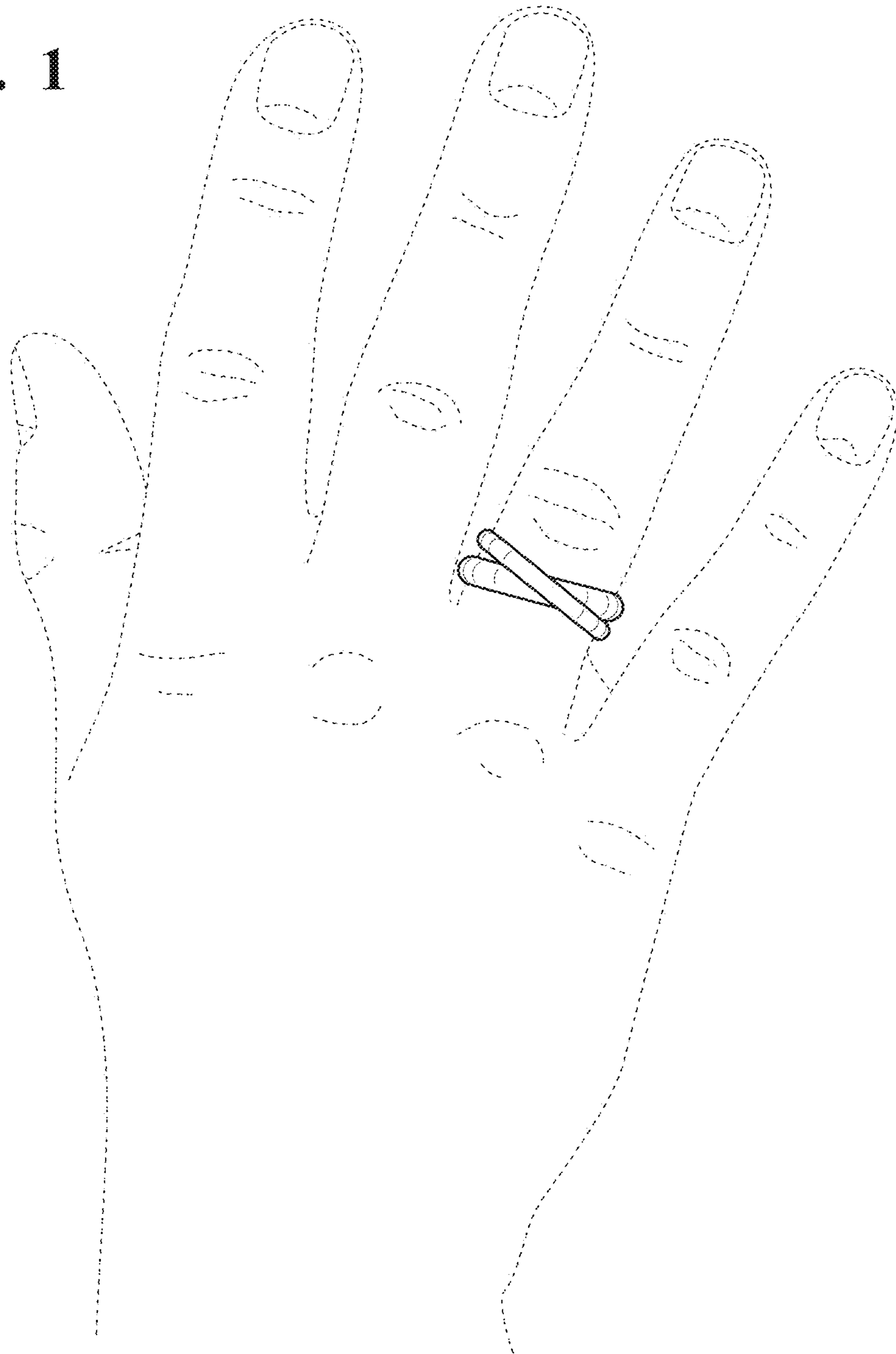


FIG. 2

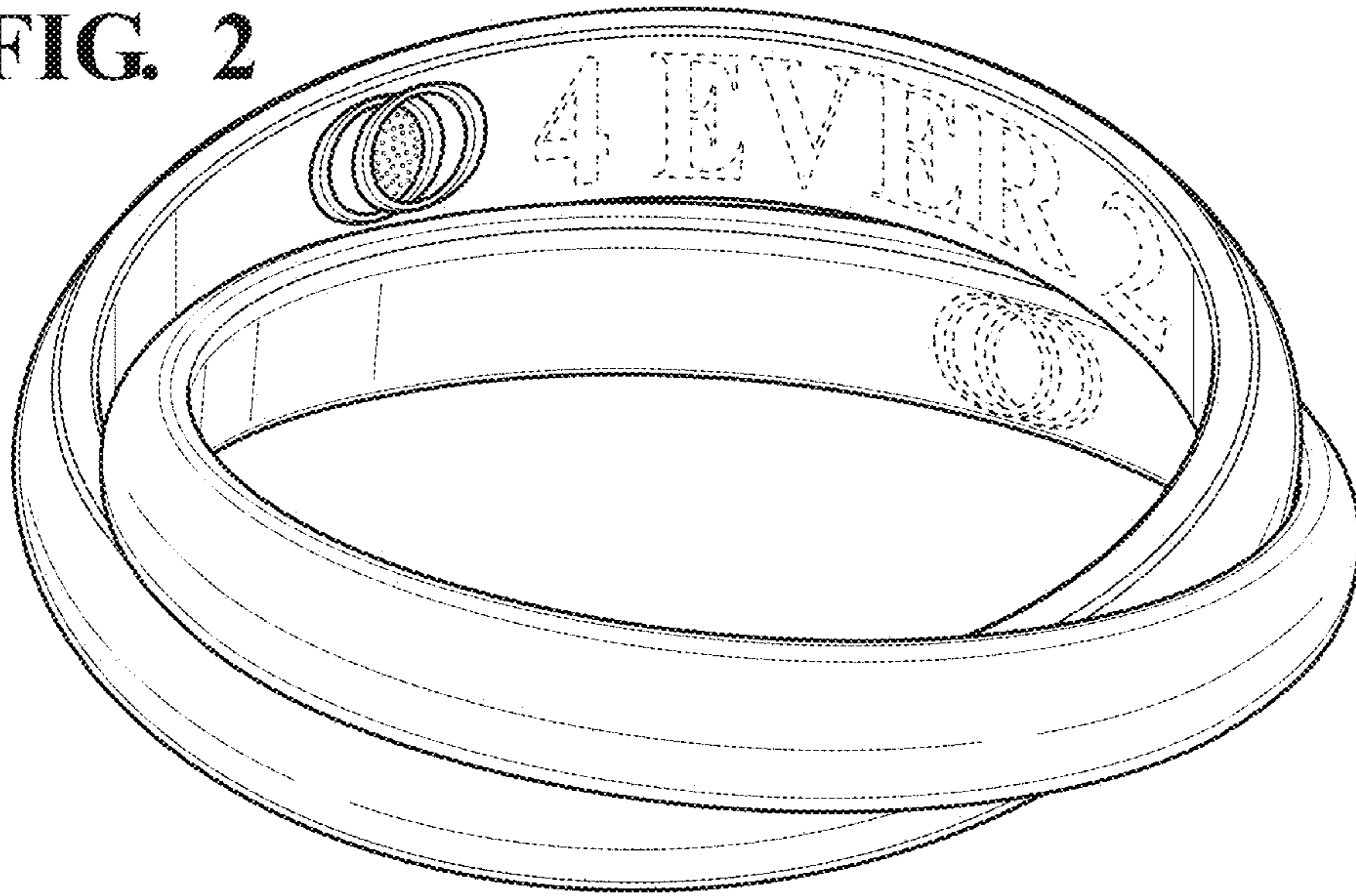


FIG. 3

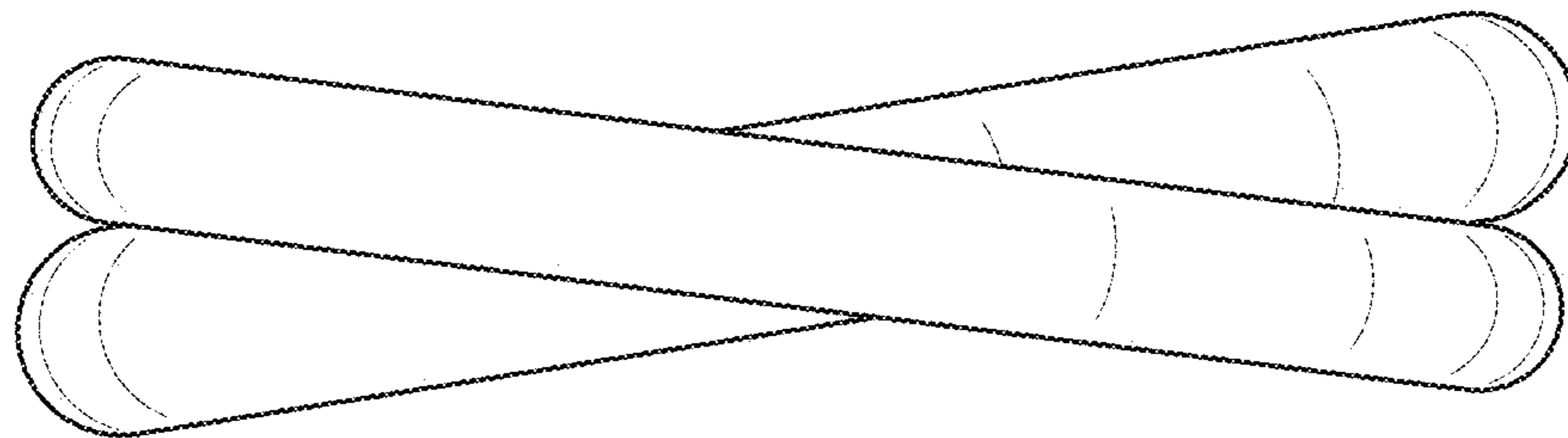


FIG. 4

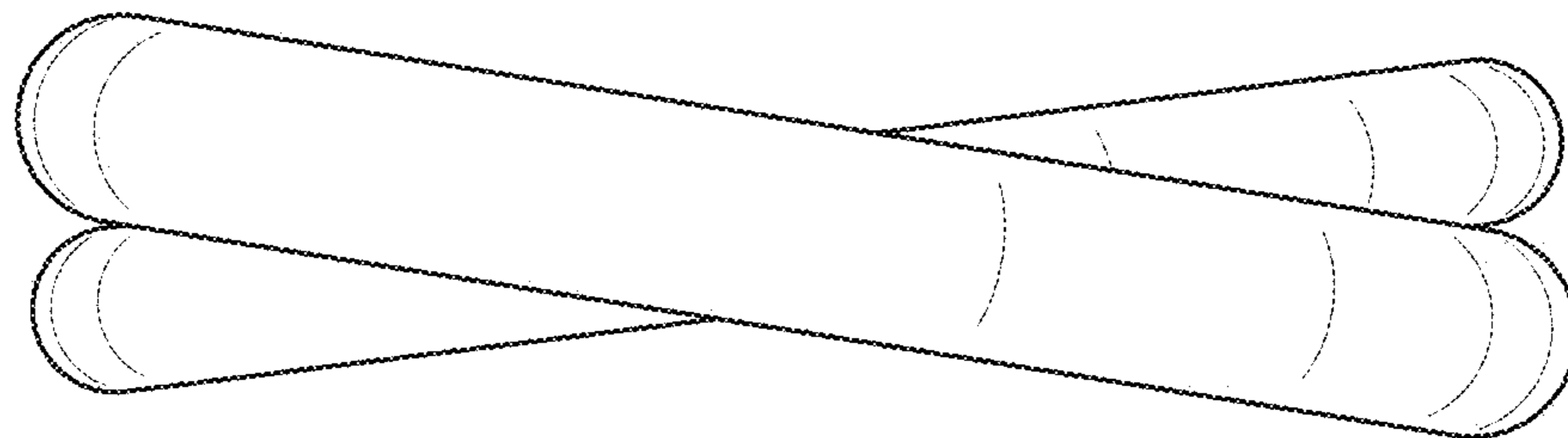


FIG. 5

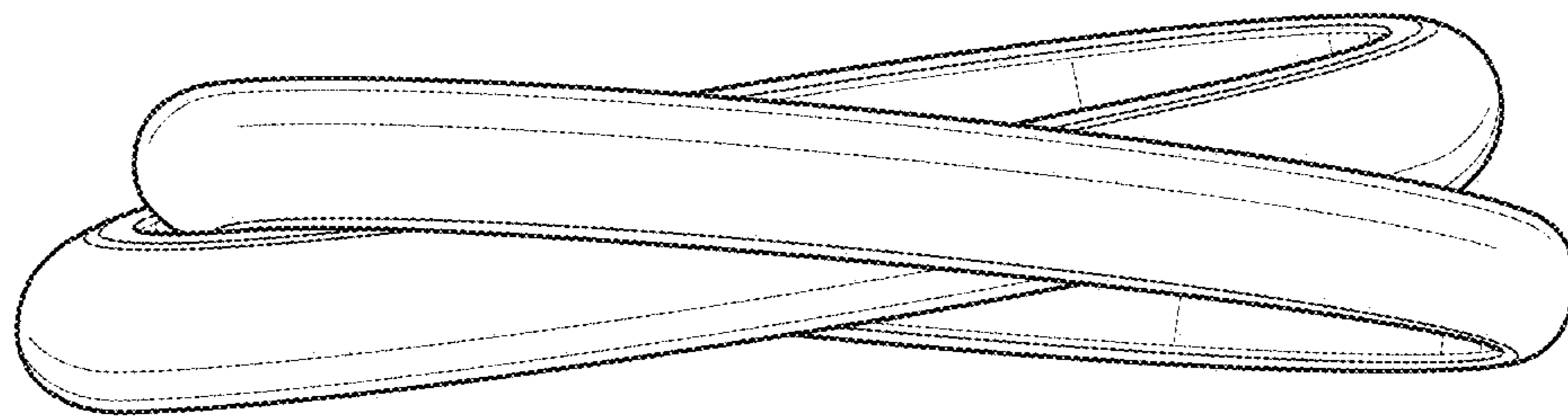


FIG. 6

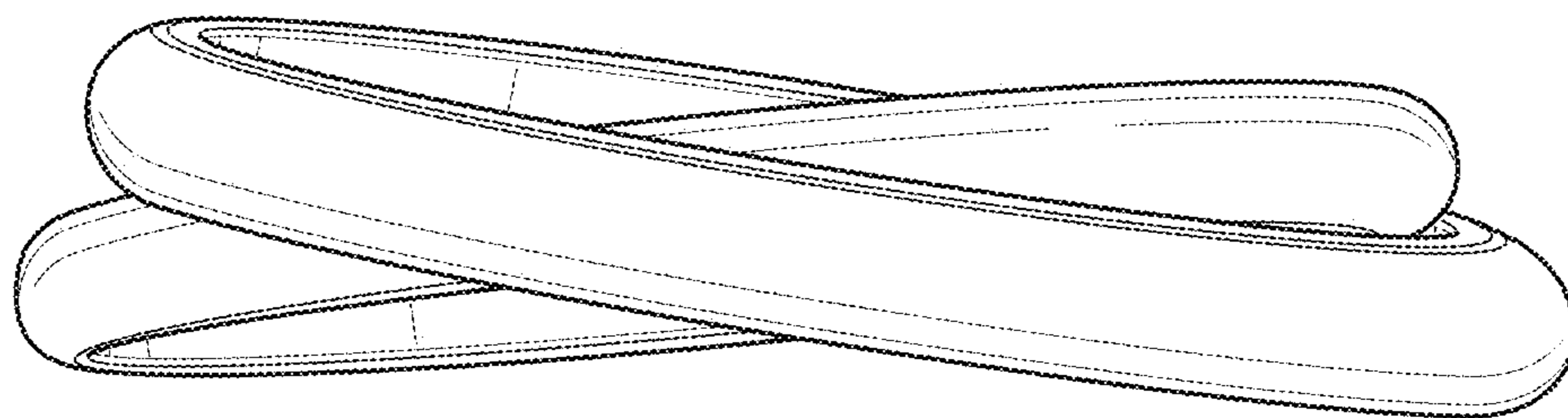


FIG. 7

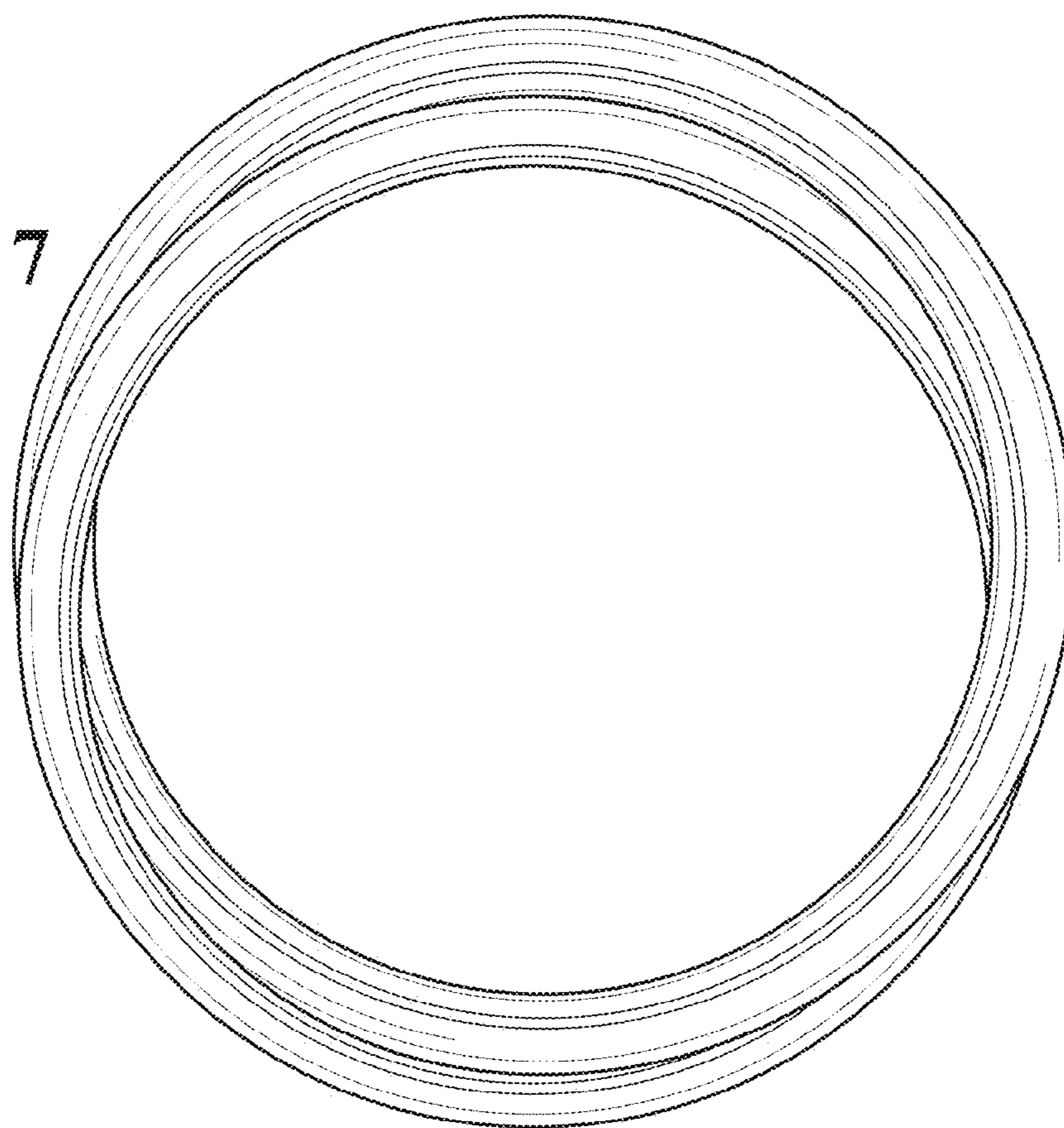


FIG. 8

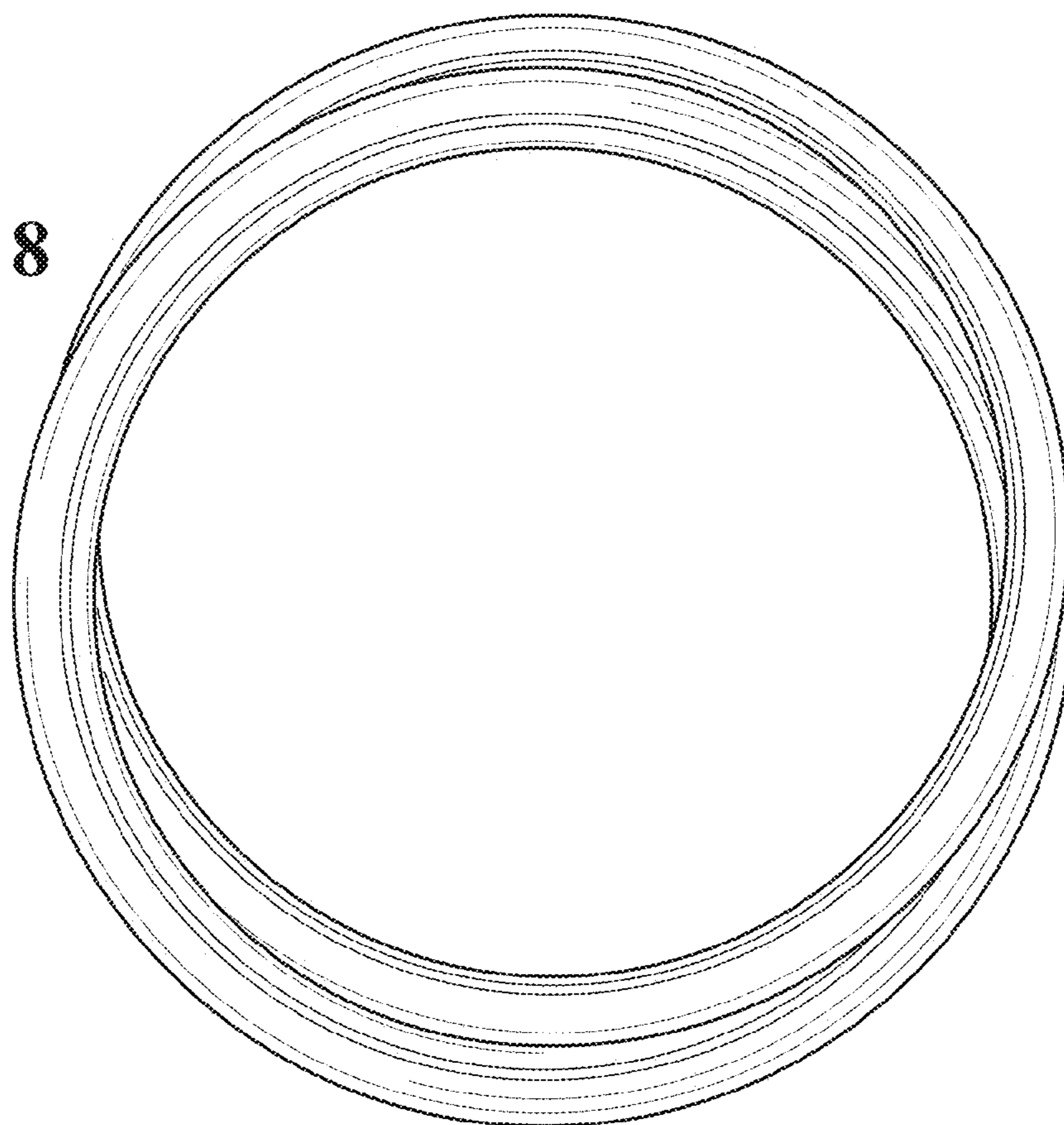


FIG. 9

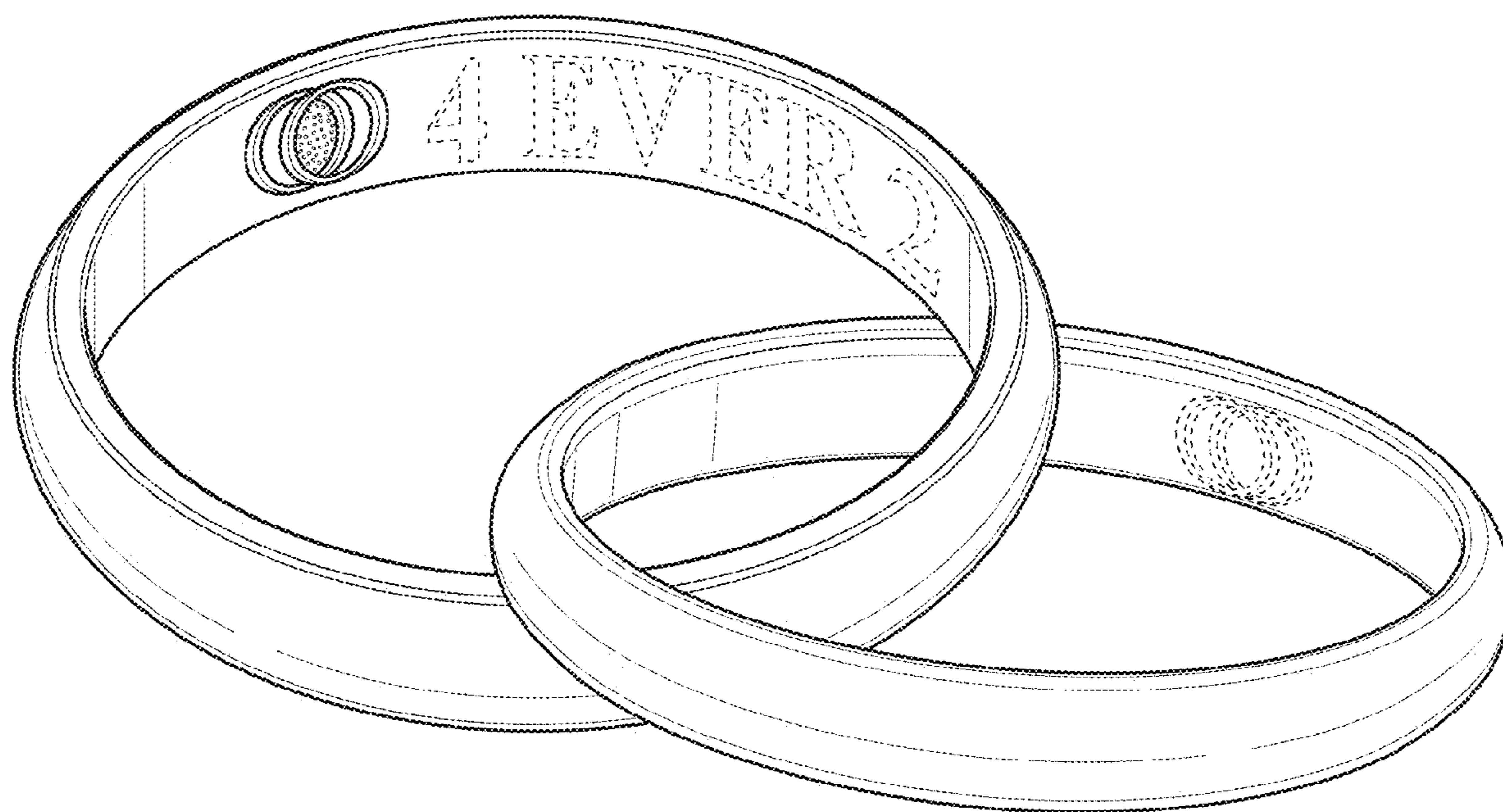


FIG. 10

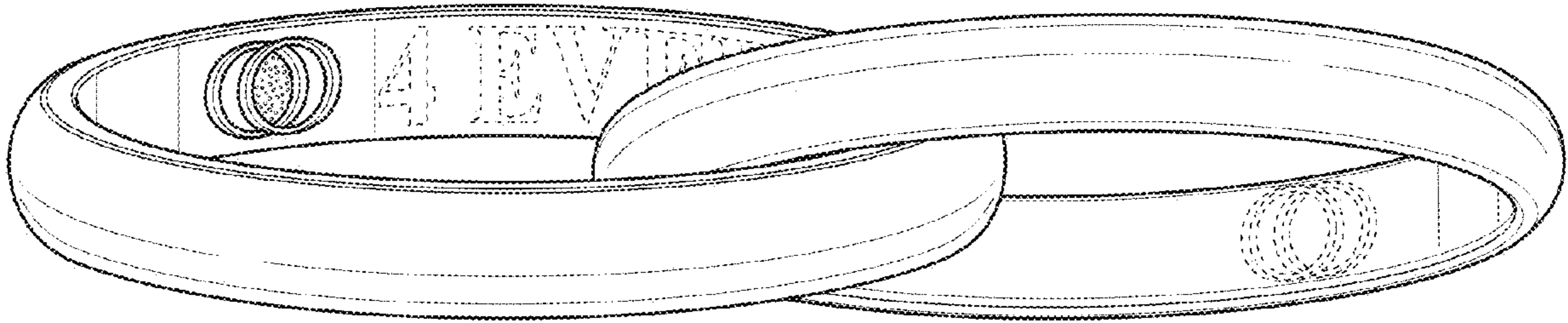


FIG. 11

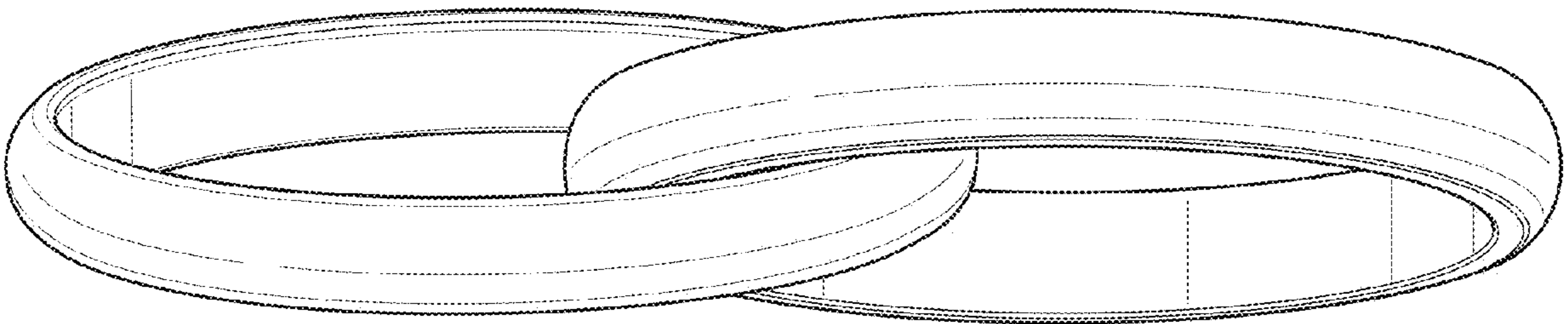


FIG. 12

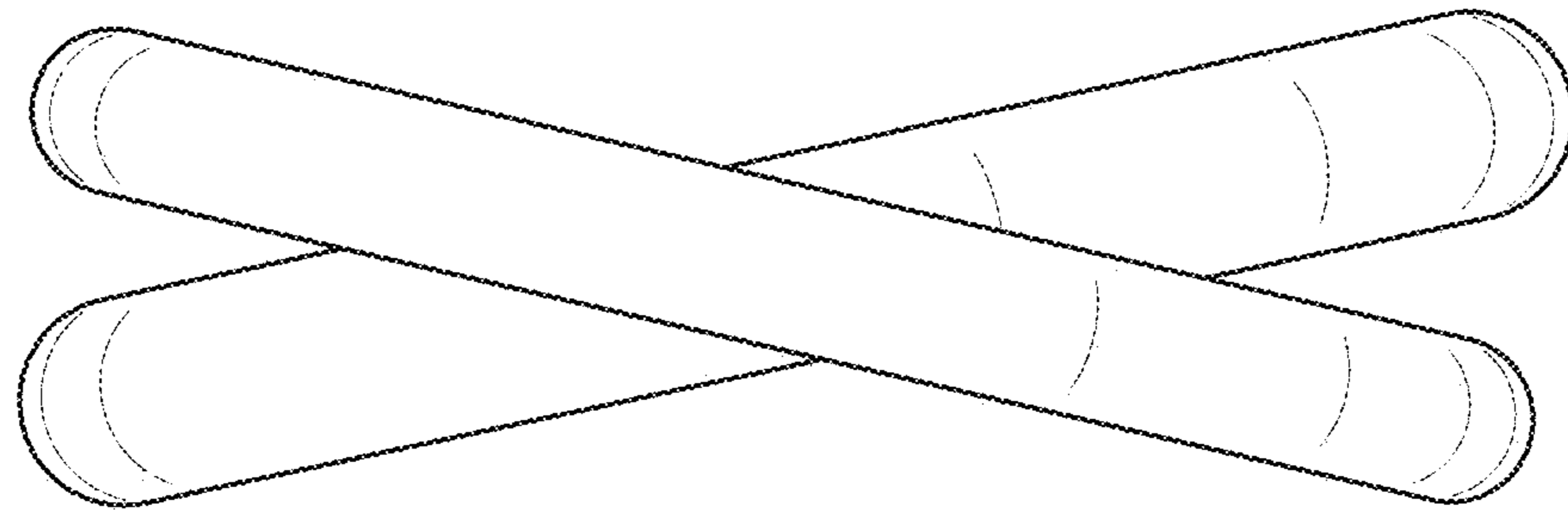


FIG. 13

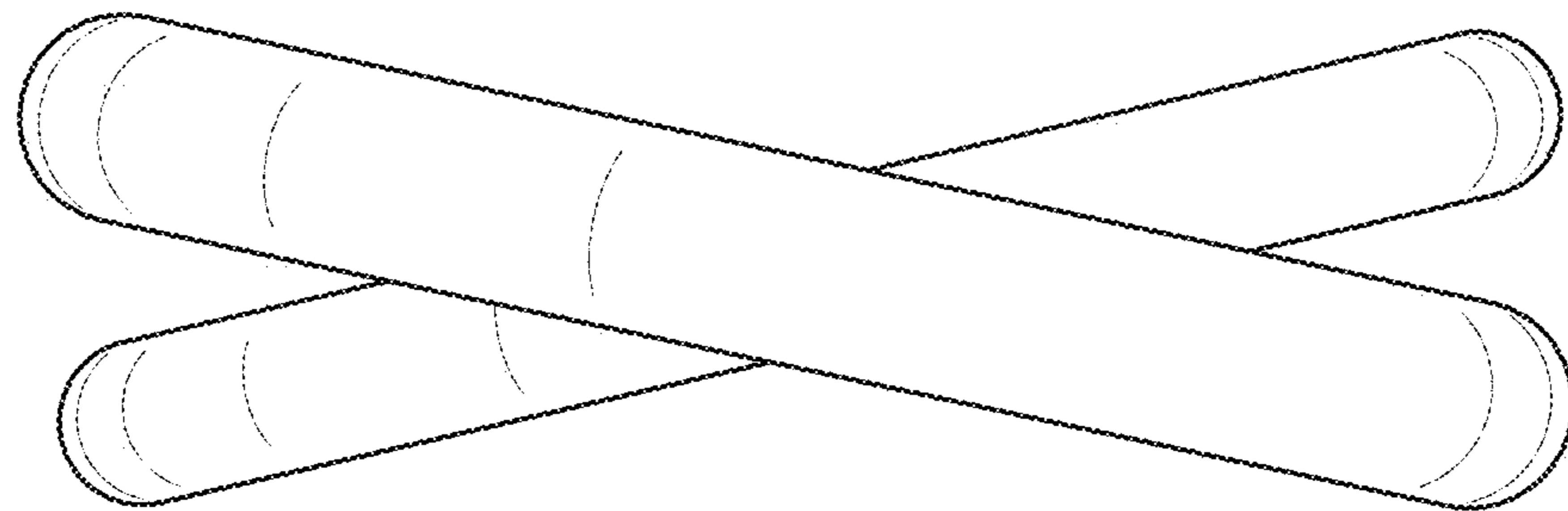


FIG. 14

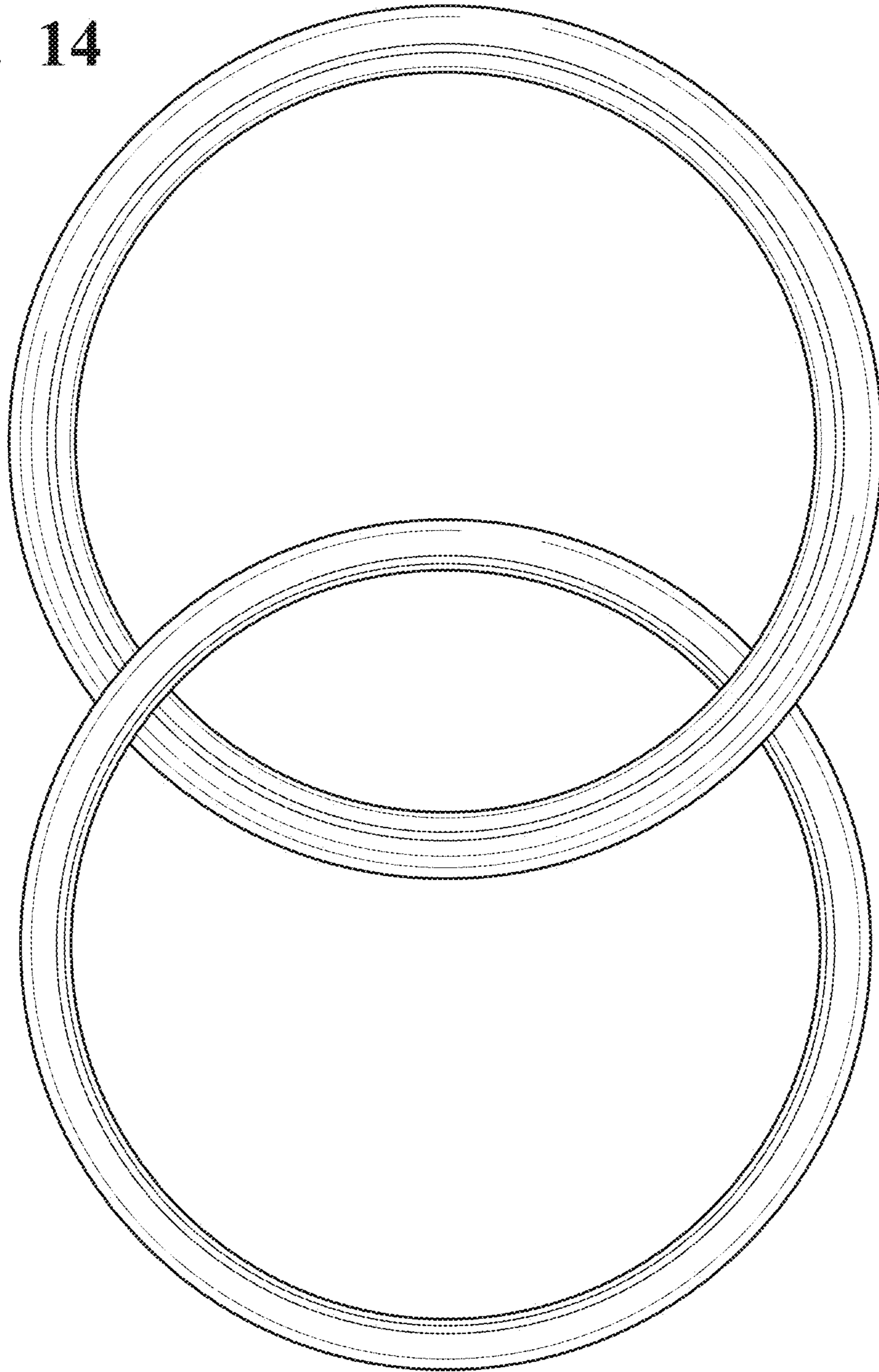


FIG. 15

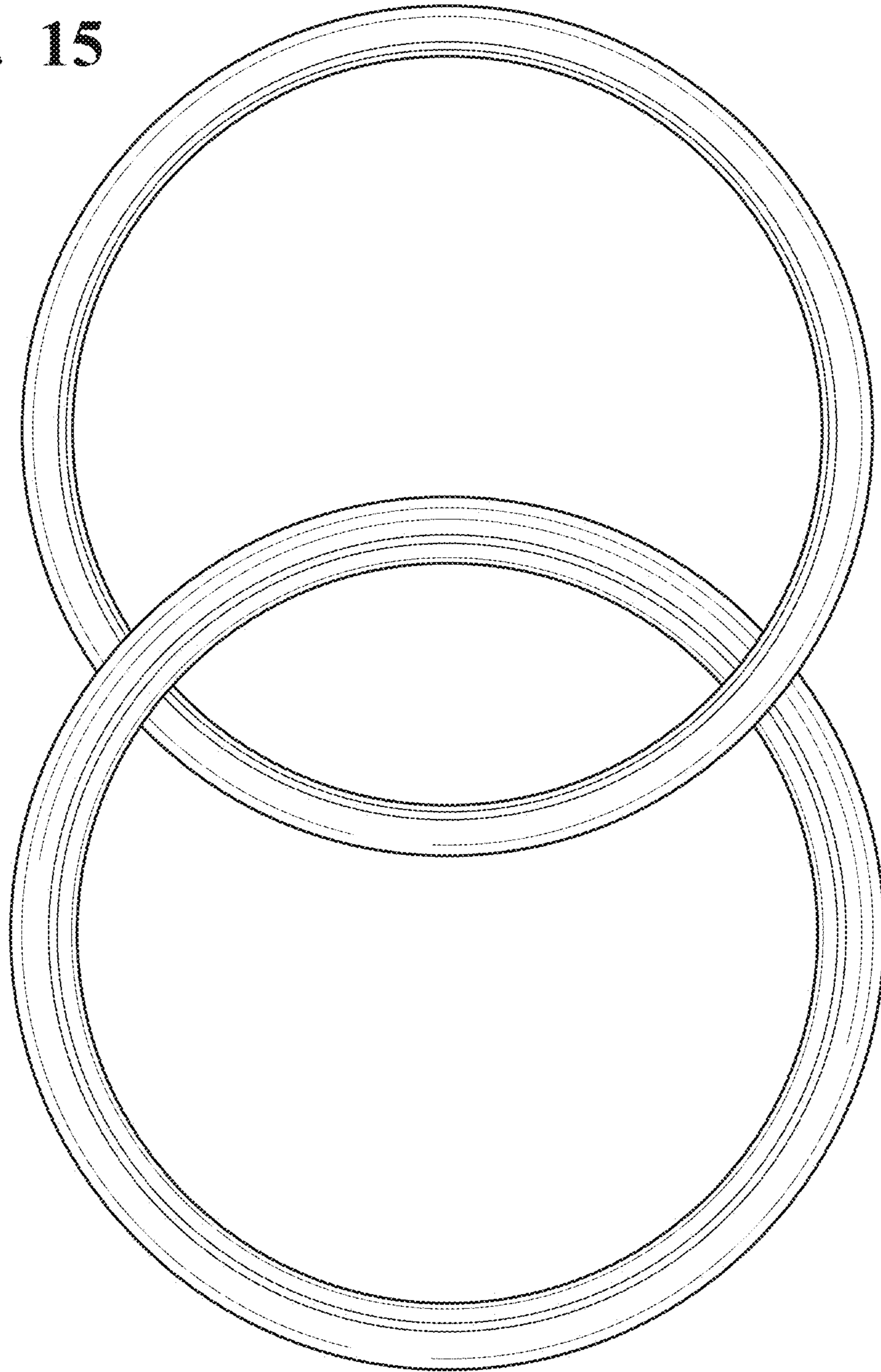


FIG. 16

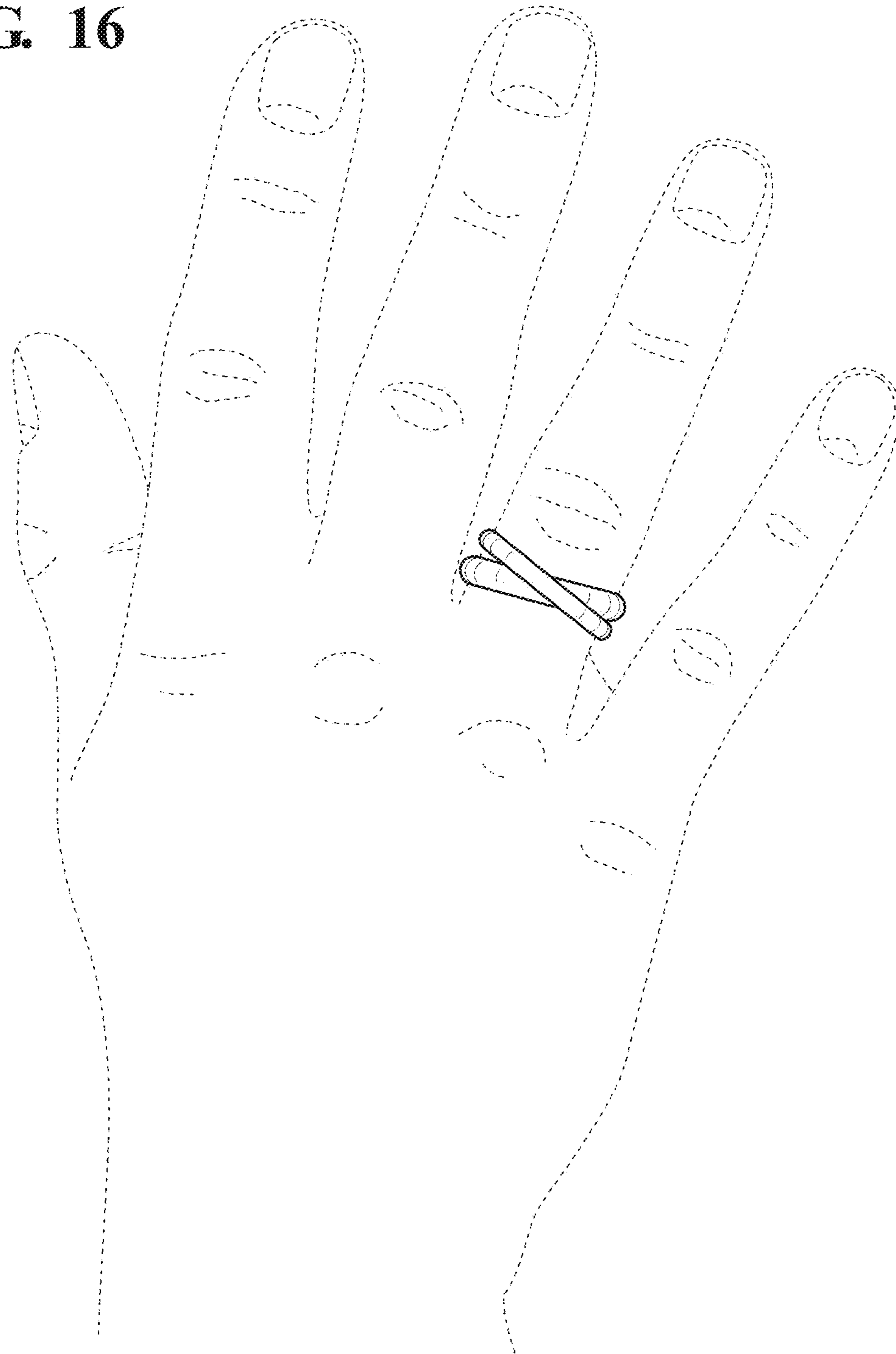


FIG. 17

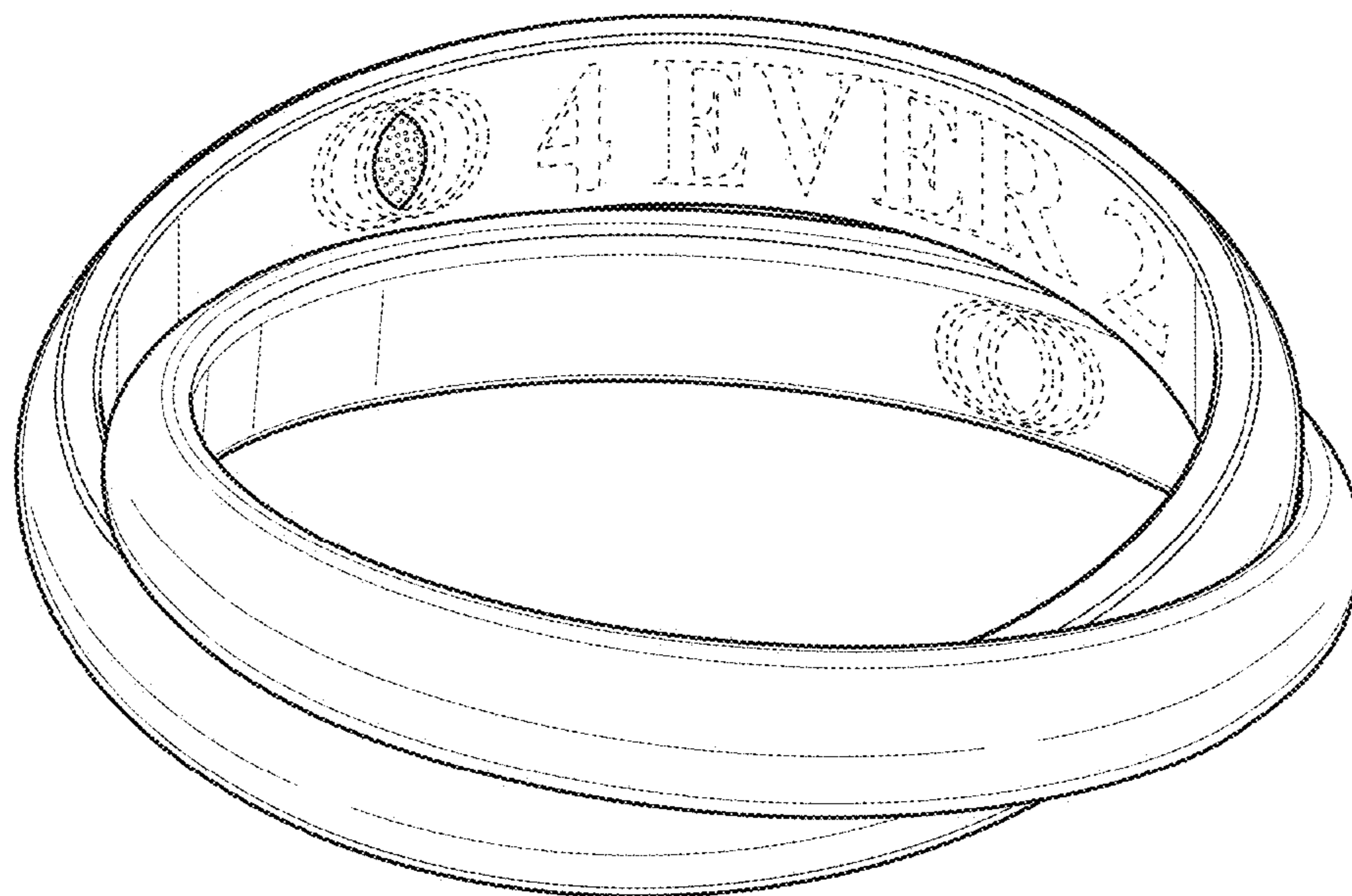


FIG. 18

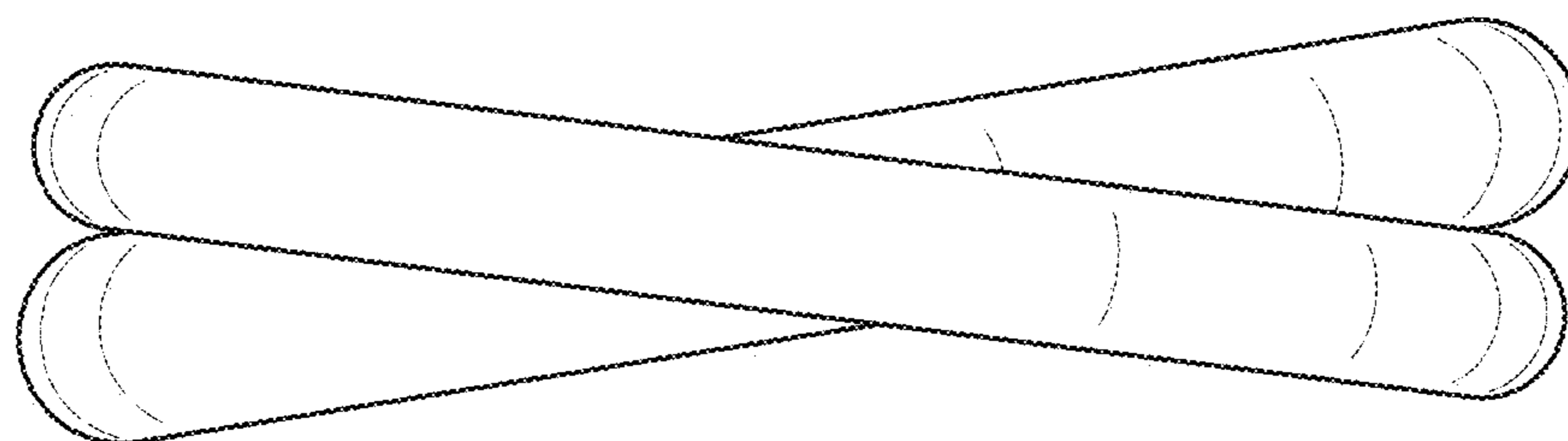


FIG. 19

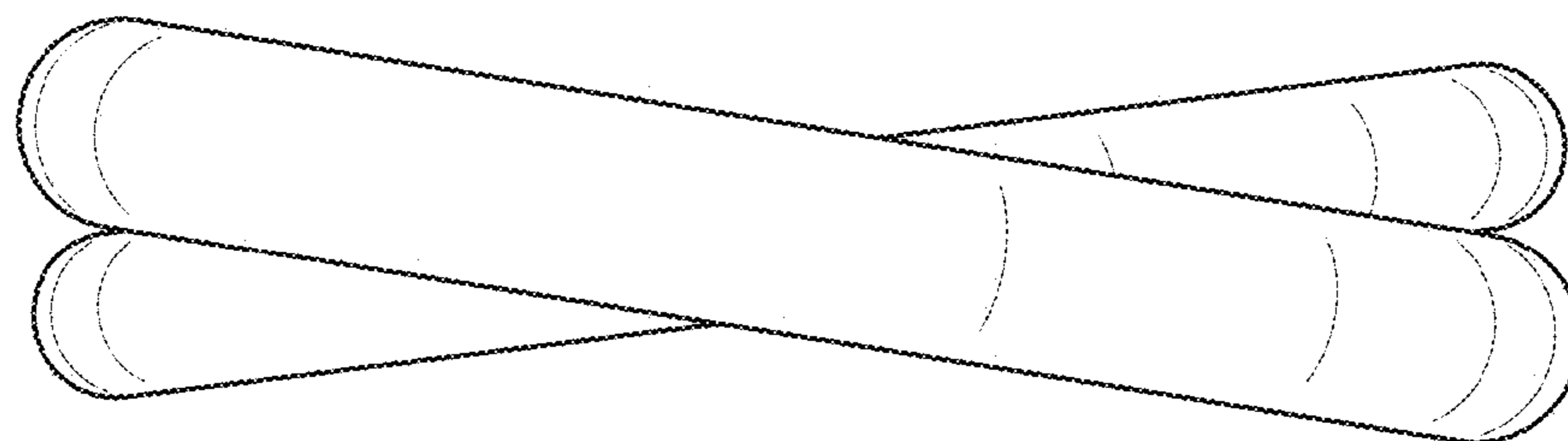


FIG. 20

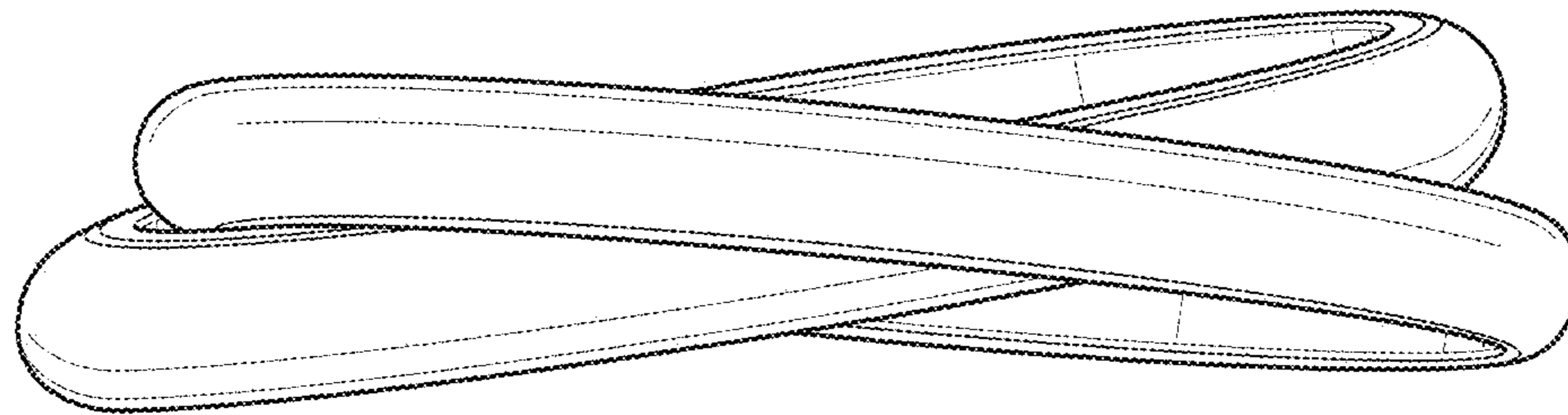


FIG. 21

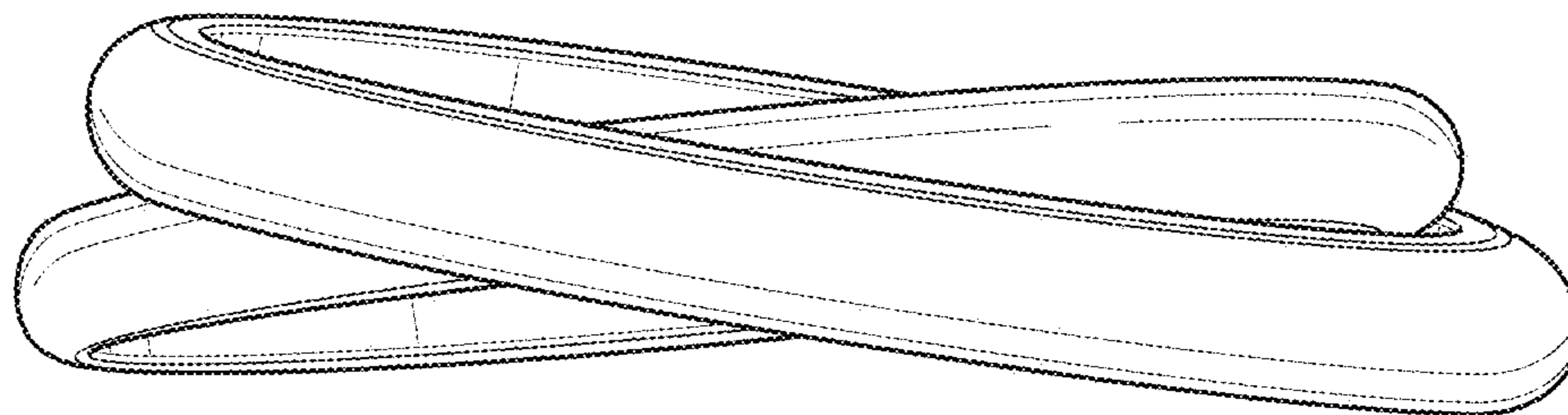


FIG. 22

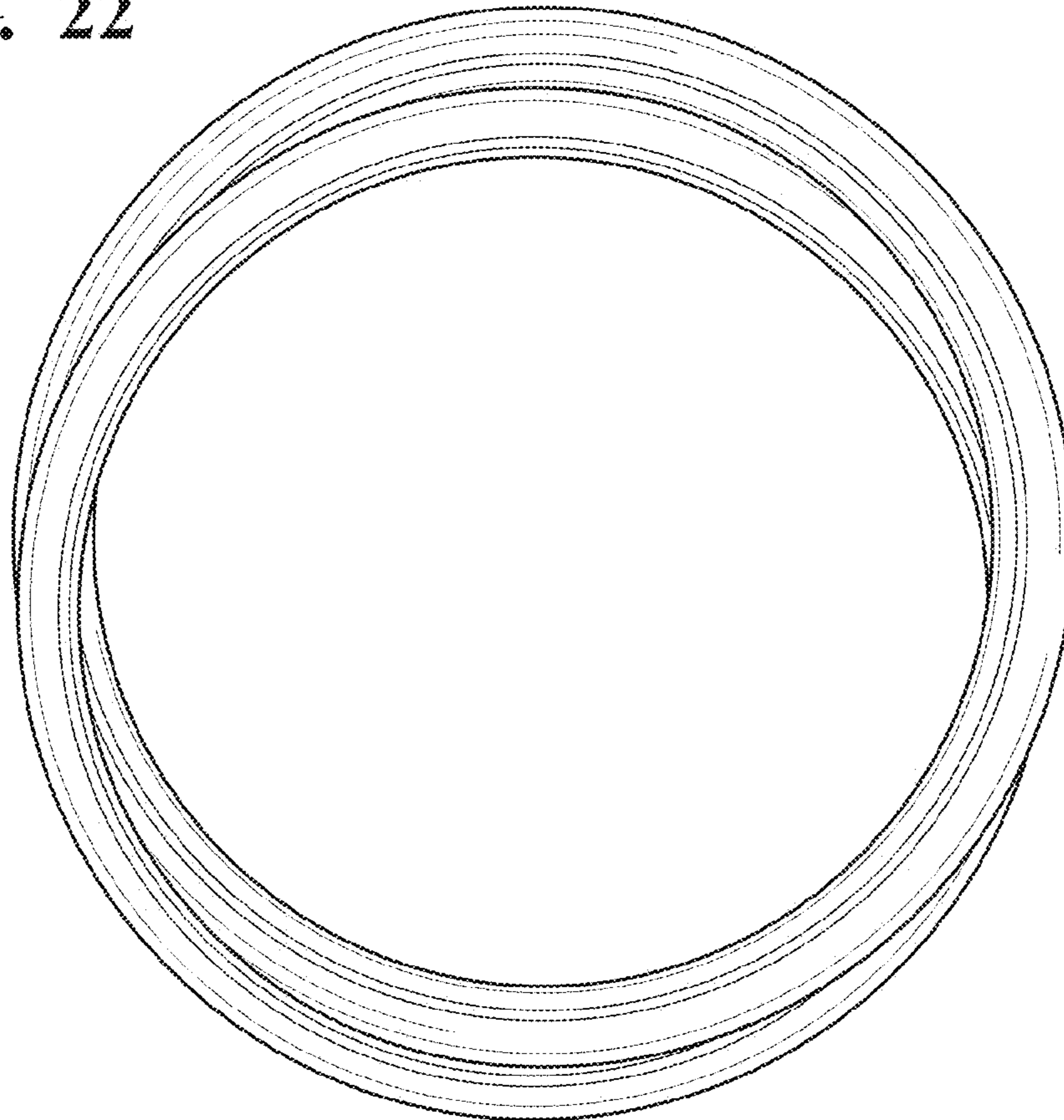


FIG. 23

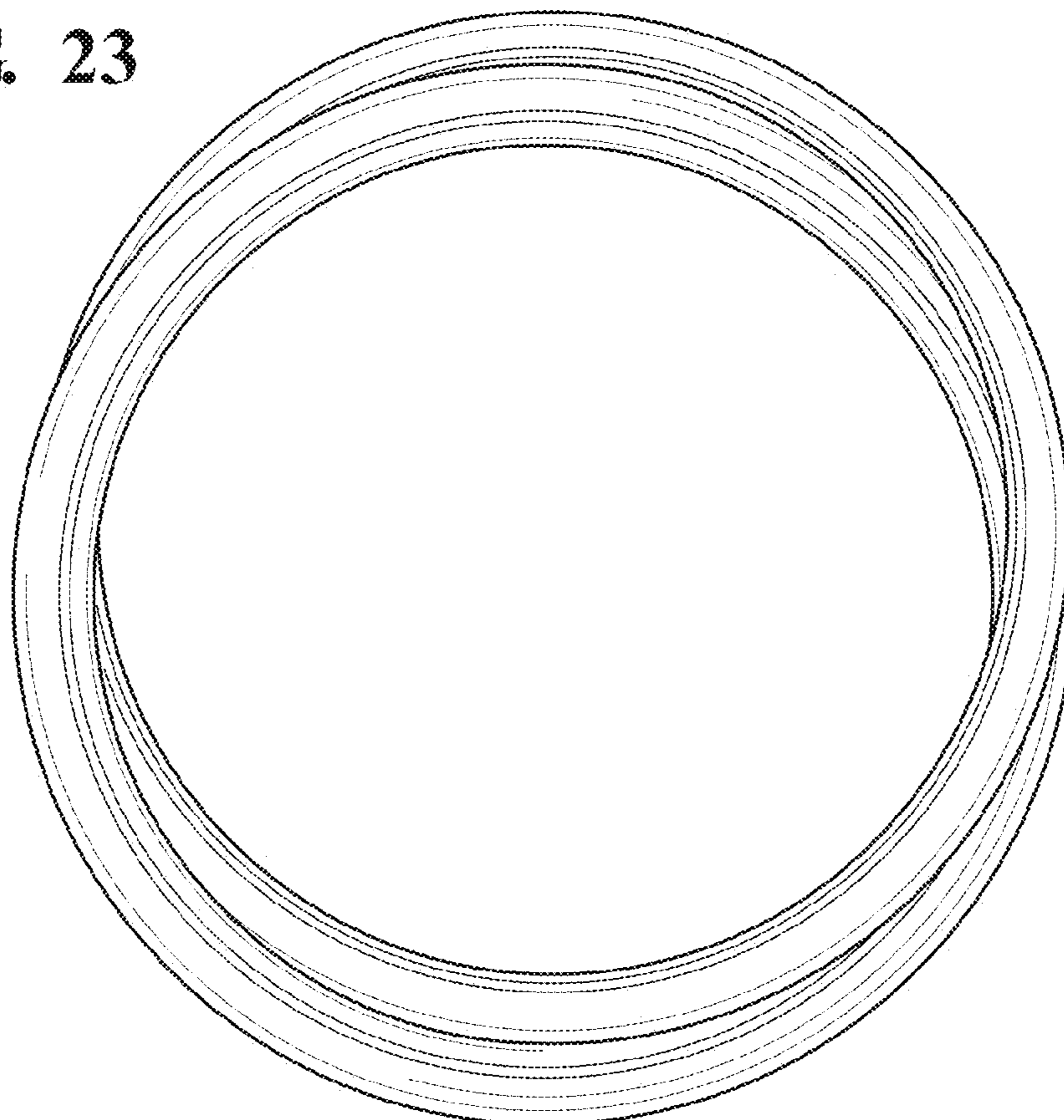


FIG. 24

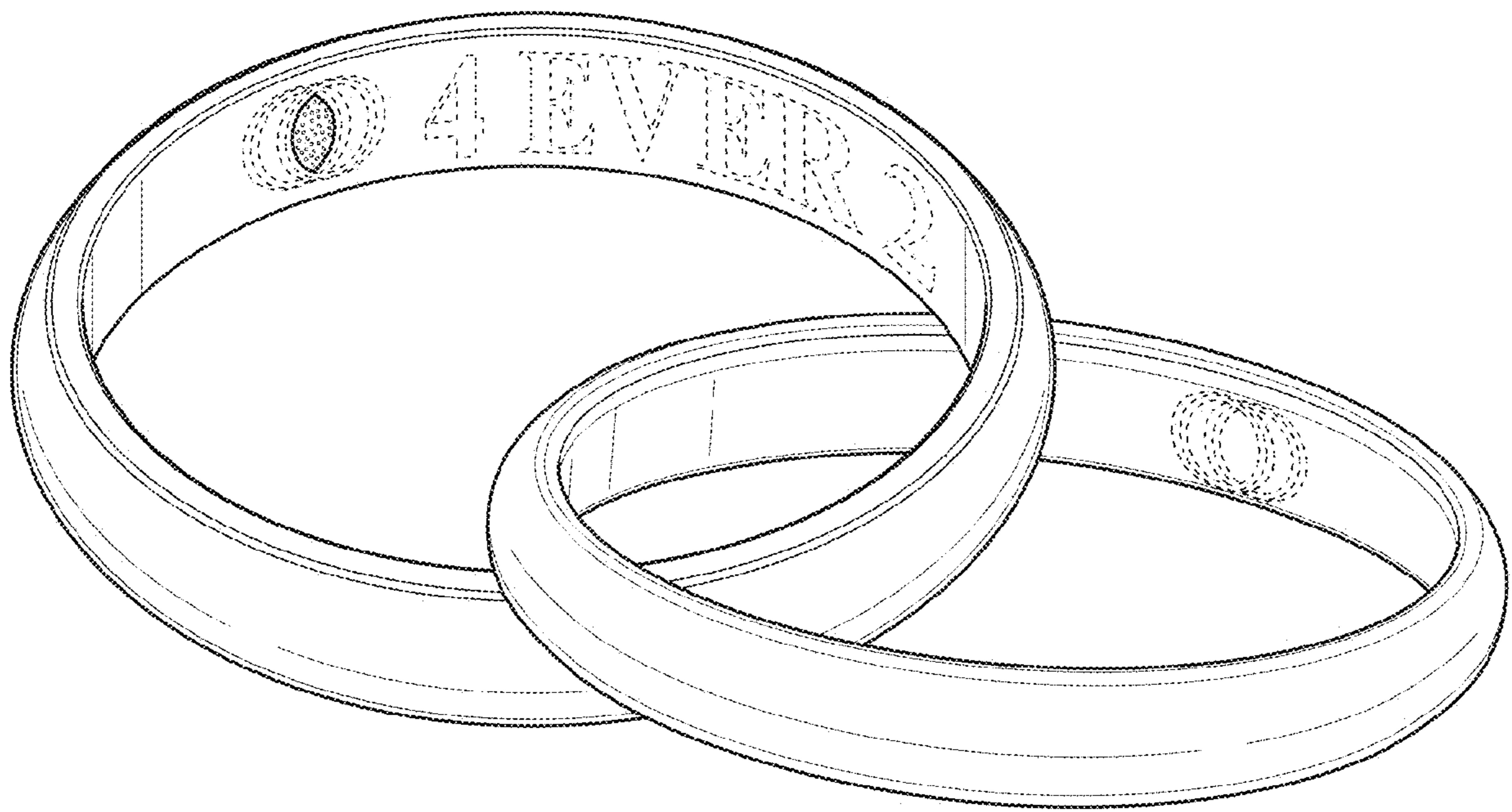


FIG. 25

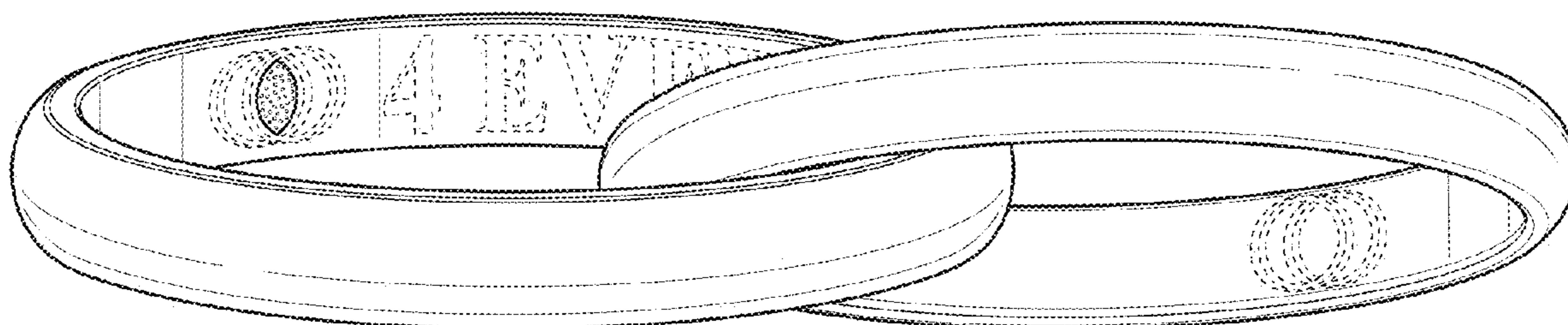


FIG. 26



FIG. 27

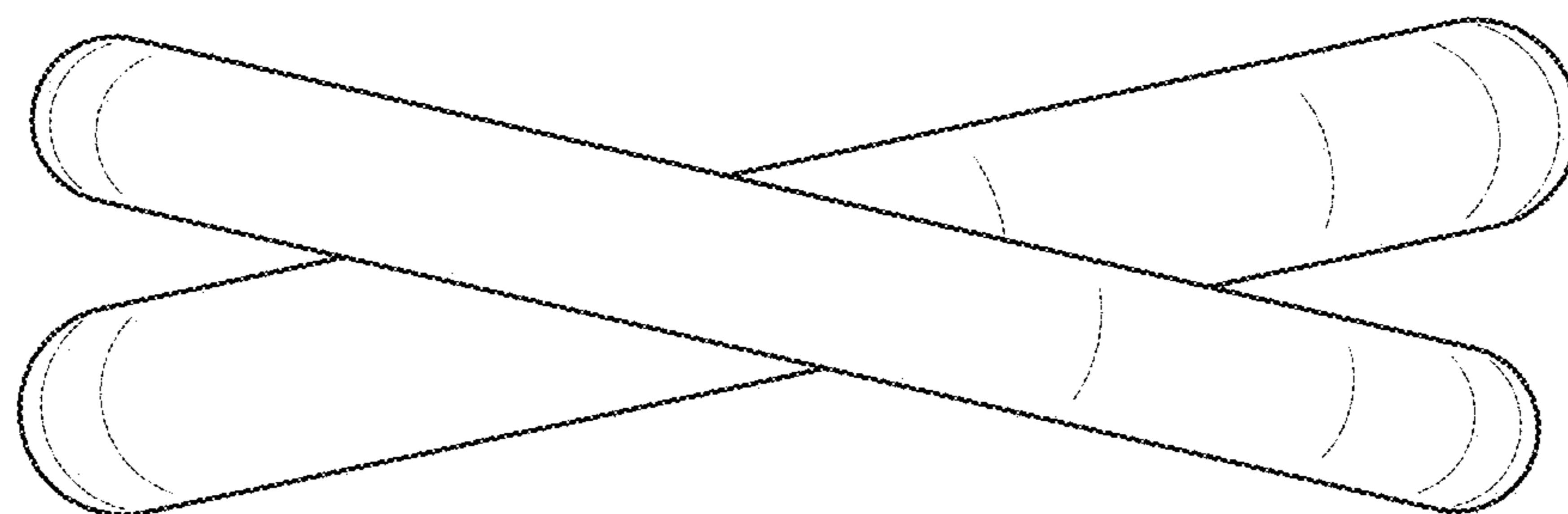


FIG. 28

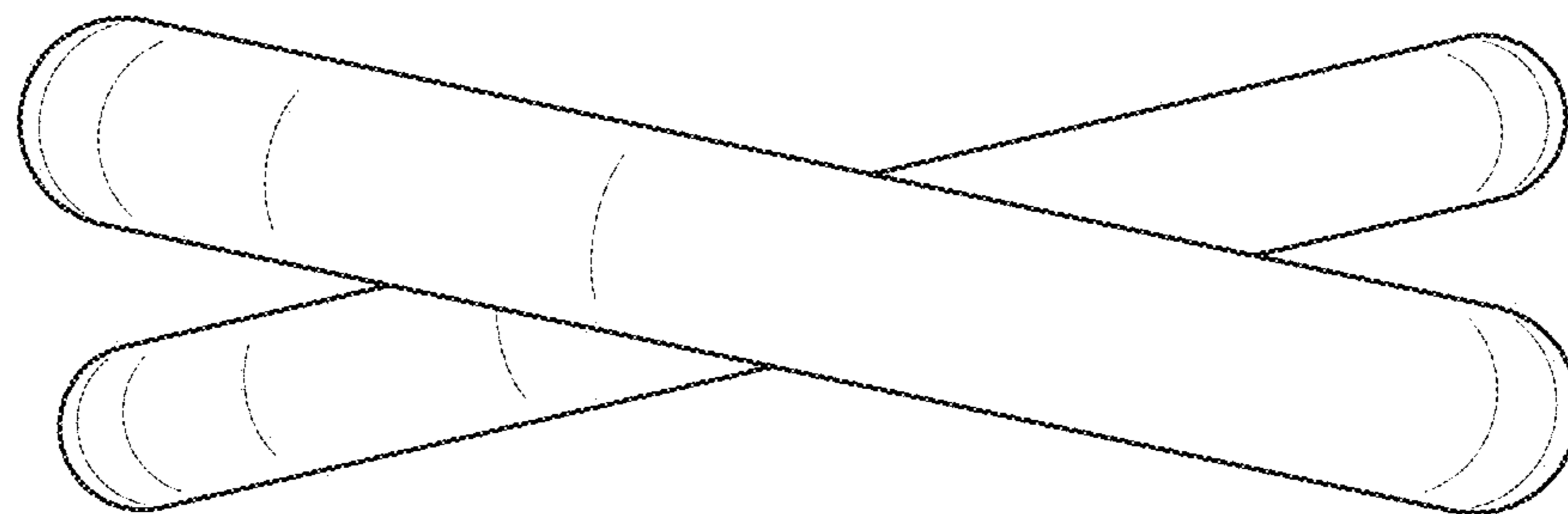


FIG. 29

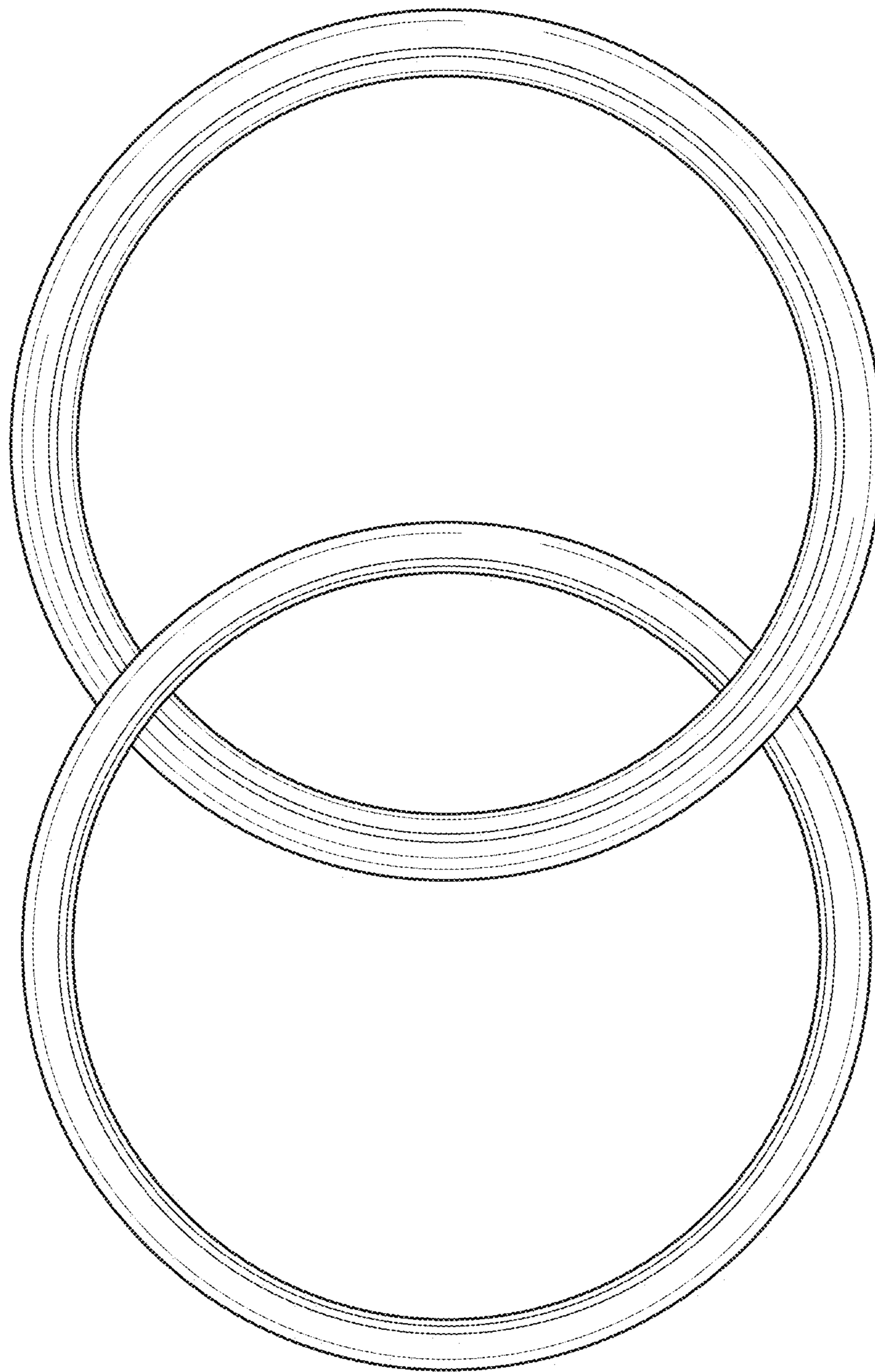


FIG. 30

