



US00D916616S

(12) **United States Design Patent** (10) **Patent No.:** **US D916,616 S**
Kamilindi (45) **Date of Patent:** **** Apr. 20, 2021**

(54) **OSCILLATING WEIGHT**
(71) Applicant: **Harry Winston SA**, Plan-les-Ouates (CH)
(72) Inventor: **Steve Kamilindi**, Plan-les-Ouates (CH)
(73) Assignee: **Harry Winston SA**, Plan-les-Ouates (CH)

D481,323 S * 10/2003 Filiberti D10/128
D539,182 S * 3/2007 Perret D10/128
D640,582 S * 6/2011 Behling D10/128
9,256,205 B2 * 2/2016 Jamin G04B 5/16
D762,134 S * 7/2016 Jeannet D10/126
D778,196 S * 2/2017 Kamilindi D10/126
D816,532 S * 5/2018 Monachon D10/129
D827,476 S * 9/2018 Blootacker D10/129

(**) Term: **15 Years**
(21) Appl. No.: **29/699,232**

FOREIGN PATENT DOCUMENTS

CH 288975 A * 2/1953 G04B 5/19
WO WO-D082602-023 * 1/2014
WO WO-D097668-006 * 9/2017

(22) Filed: **Jul. 24, 2019**

OTHER PUBLICATIONS

Bernard Watch, The Watch Rotor: Watch Terms, posted Oct. 21, 2013, [online], [visited Dec. 22, 2020]. Internet, <URL: https://www.bernardwatch.com/blog/watch-rotor/> (Year: 2013).*

(30) **Foreign Application Priority Data**

Jan. 30, 2019 (WO) DM/200690

(Continued)

(51) **LOC (13) Cl.** **10-07**

(52) **U.S. Cl.**
USPC **D10/129**

Primary Examiner — Sheryl Lane
Assistant Examiner — Samantha N Wood
(74) *Attorney, Agent, or Firm* — Blank Rome LLP

(58) **Field of Classification Search**
USPC D10/30, 31, 32, 33, 34, 35, 36, 37, 38, D10/39, 122, 123, 124, 125, 126, 128, D10/127, 129
CPC G04B 19/00; G04B 19/06; G04B 19/065; G04B 19/08; G04B 19/106; G04B 19/16; G04B 19/12; G04B 19/18; G04B 19/025; G04B 19/103; G04B 19/166; G04B 19/20; G04B 19/223; G04B 5/19; G04B 5/16; G04B 5/18
See application file for complete search history.

(57) **CLAIM**
The ornamental design for an oscillating weight, as shown and described.

DESCRIPTION

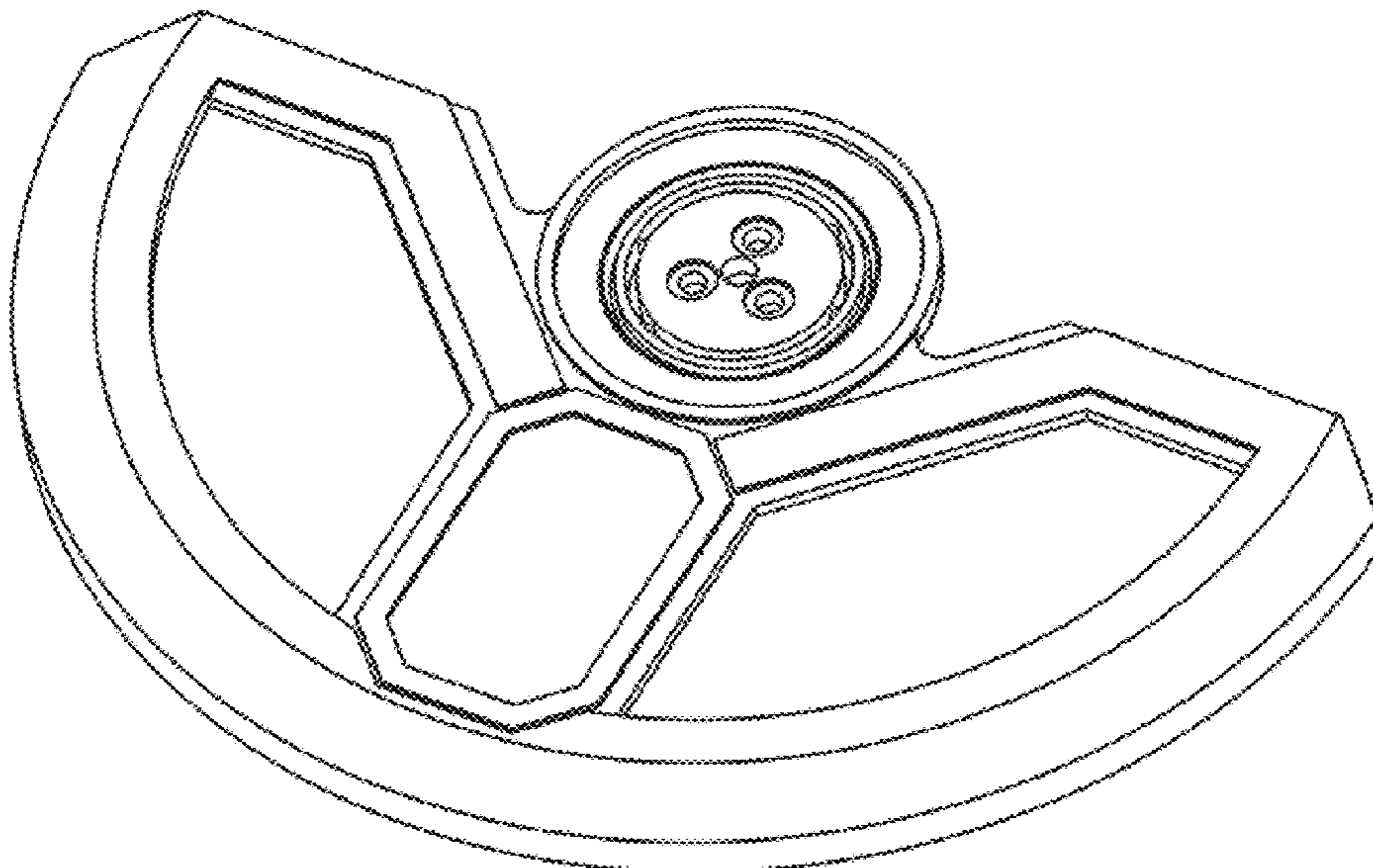
FIG. 1 is a front view of an oscillating weight of the present design;
FIG. 2 is a rear view thereof;
FIG. 3 is a left side view thereof;
FIG. 4 is a right side view thereof;
FIG. 5 is a bottom view thereof;
FIG. 6 is a top view thereof; and
FIG. 7 is a rear perspective view thereof; and,
FIG. 8 is a front perspective view thereof.

(56) **References Cited**

U.S. PATENT DOCUMENTS

2,746,238 A * 5/1956 Stamm G04B 5/16 368/208
D179,835 S * 3/1957 Bloch D10/124
D480,979 S * 10/2003 Filiberti D10/128

1 Claim, 8 Drawing Sheets



(56)

References Cited

OTHER PUBLICATIONS

TimeZone, New Model—Harry Winston Ocean 20th Anniversary Biretrograde Automatic, posted Jul. 27, 2018, [online], [visited Dec. 22, 2020]. Internet, <URL: <https://forums.timezone.com/index.php?t=tree&goto=7549204&rid=0>> (Year: 2018).*

Watchprosite, The Ocean Chronograph: the charm of the retrograde hands, posted Jun. 6, 2010, [online], [visited Dec. 22, 2020]. Internet, <URL: <https://www.watchprosite.com/harry-winston/the-ocean-chronograph-the-charm-of-the-retrograde-hands-/15.622366.3899571/>> (Year: 2010).*

* cited by examiner

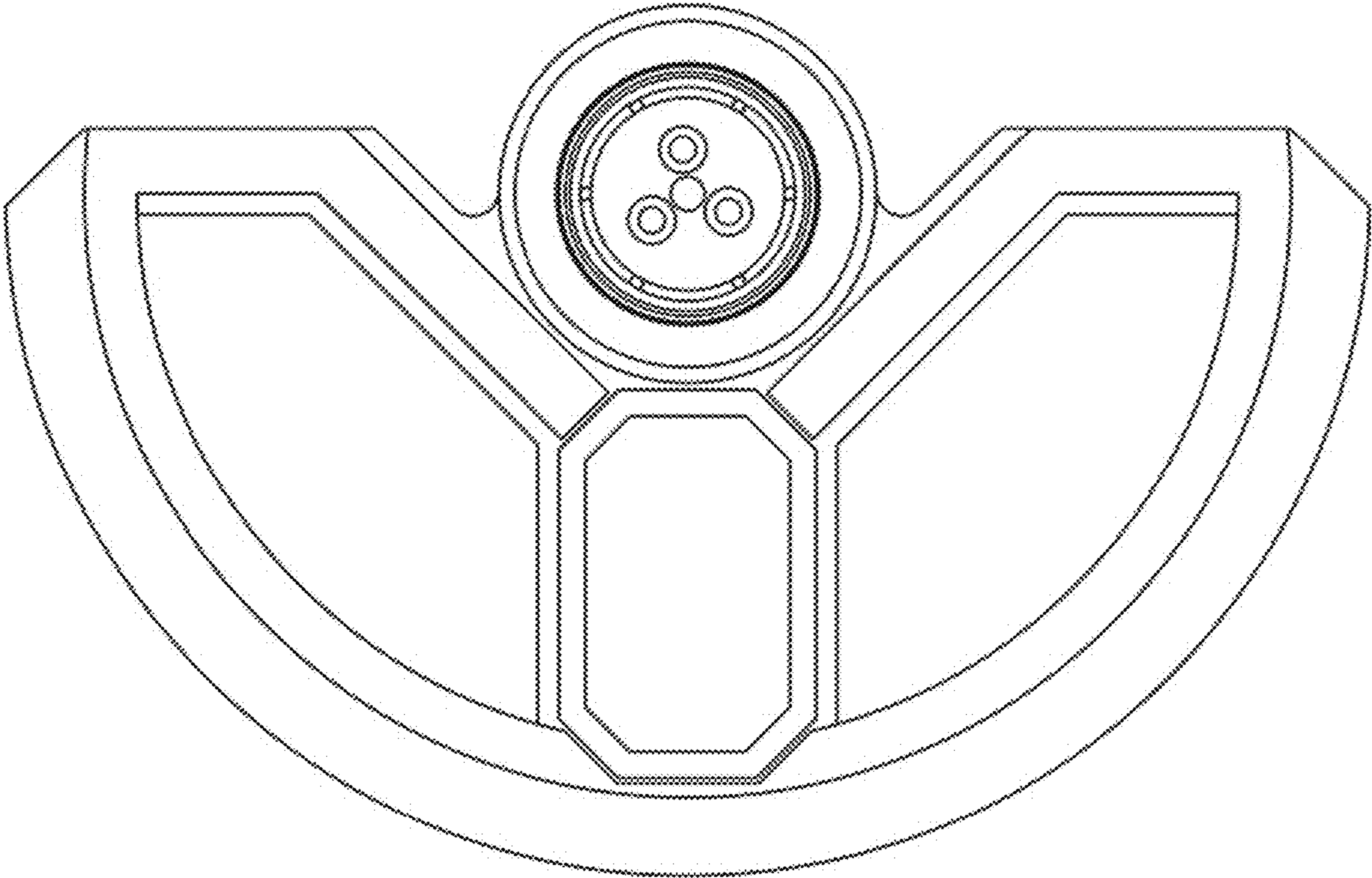


FIG 1

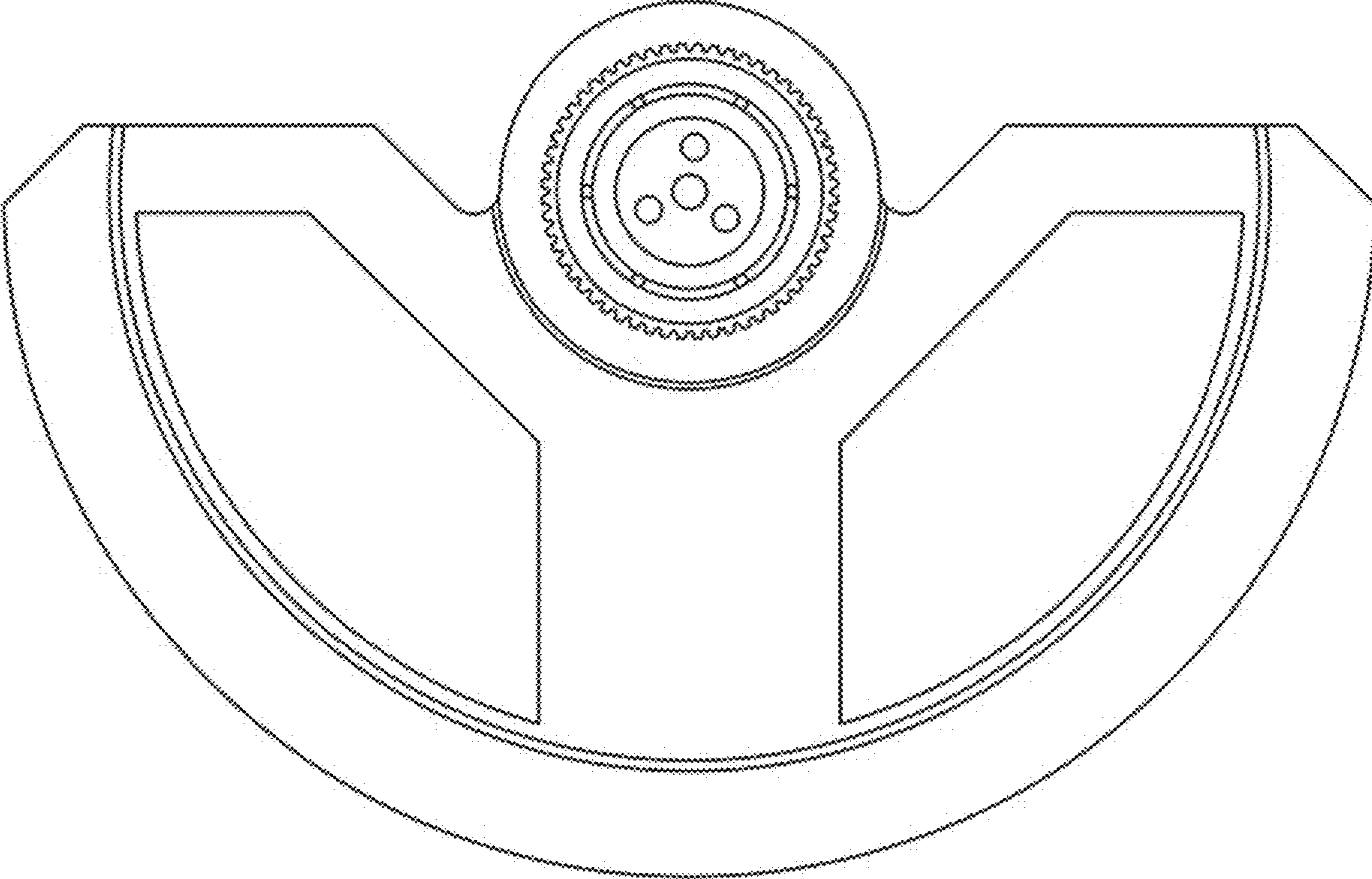


FIG 2



FIG 3

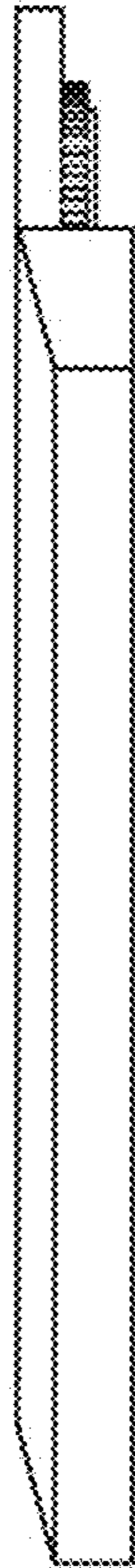


FIG 4



FIG 5



FIG 6

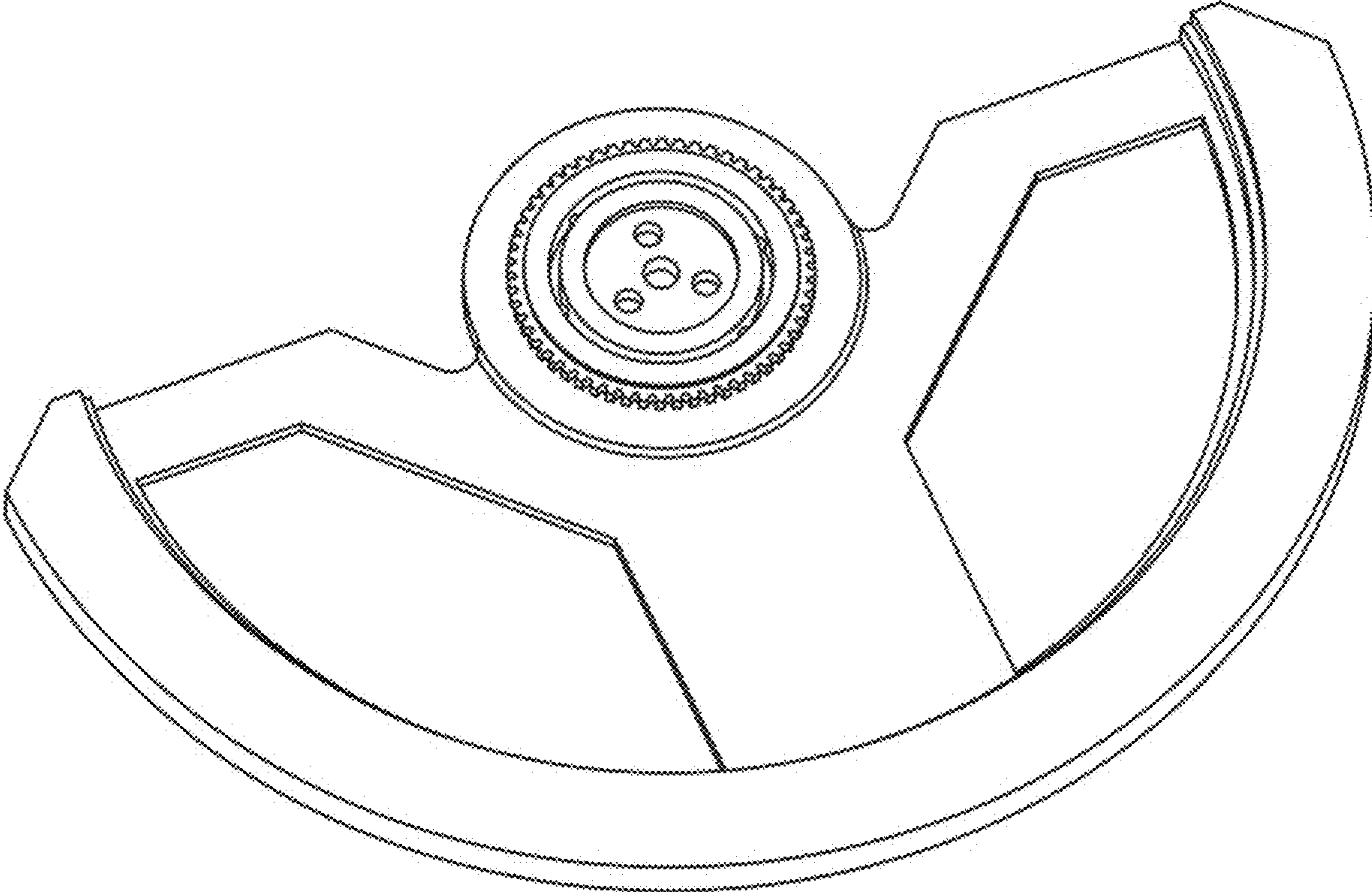


FIG 7

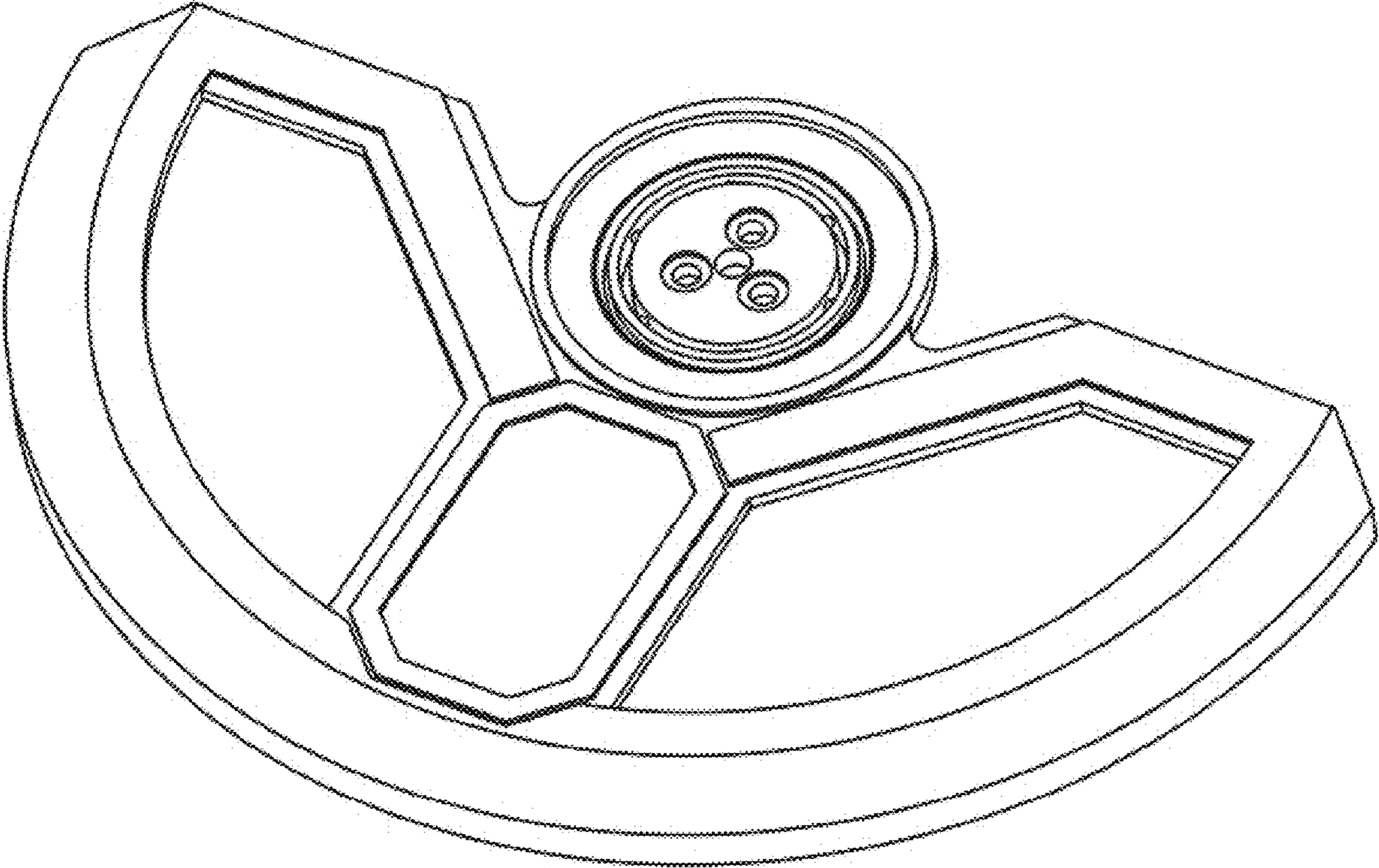


FIG 8