



US00D916613S

(12) **United States Design Patent**  
**Tschumi**

(10) **Patent No.:** **US D916,613 S**

(45) **Date of Patent:** **\*\* Apr. 20, 2021**

(54) **DIAL**  
(71) Applicant: **Harry Winston SA**, Plan-les-Ouates (CH)  
(72) Inventor: **Antoine Tschumi**, Plan-les-Ouates (CH)  
(73) Assignee: **Harry Winston SA**, Plan-les-Ouates (CH)  
(\*\*) Term: **15 Years**

4,757,485 A \* 7/1988 Man ..... G04B 37/0008  
368/281  
D403,253 S \* 12/1998 Owen ..... D10/39  
D416,497 S \* 11/1999 Zwicky ..... D10/30  
D447,976 S \* 9/2001 Wong ..... D10/128  
D524,173 S \* 7/2006 Mouquet ..... D10/32  
D536,996 S \* 2/2007 Loth ..... D10/32  
D574,263 S \* 8/2008 Loth ..... D10/38  
D619,916 S \* 7/2010 Tedeschi ..... D10/126  
D634,663 S \* 3/2011 Linde ..... D10/126  
D638,724 S \* 5/2011 Laucella ..... D10/39  
D782,475 S \* 3/2017 Yu ..... D14/344  
D794,012 S \* 8/2017 Mitsugi ..... D14/344

(21) Appl. No.: **29/703,527**

**FOREIGN PATENT DOCUMENTS**

(22) Filed: **Aug. 28, 2019**

CN 201030242337 \* 7/2010  
CN 201630376885 \* 8/2016

(30) **Foreign Application Priority Data**

Mar. 4, 2019 (WO) ..... DM/200691

(51) **LOC (13) Cl.** ..... **10-07**

(52) **U.S. Cl.**  
USPC ..... **D10/123**

(58) **Field of Classification Search**  
USPC ..... D10/30, 31, 32, 33, 34, 35, 36, 37, 38,  
D10/39, 122, 123, 124, 125, 126, 128  
CPC ..... G04B 19/00; G04B 19/06; G04B 19/065;  
G04B 19/08; G04B 19/106; G04B 19/16;  
G04B 19/12; G04B 19/18; G04B 19/025;  
G04B 19/103; G04B 19/166; G04B  
19/20; G04B 19/223

See application file for complete search history.

(56) **References Cited**

**U.S. PATENT DOCUMENTS**

D69,742 S \* 3/1926 Clevon ..... D10/103  
D228,939 S \* 10/1973 Bannwart ..... D10/32

\* cited by examiner

*Primary Examiner* — Sheryl Lane

*Assistant Examiner* — Samantha N Wood

(74) *Attorney, Agent, or Firm* — Blank Rome LLP

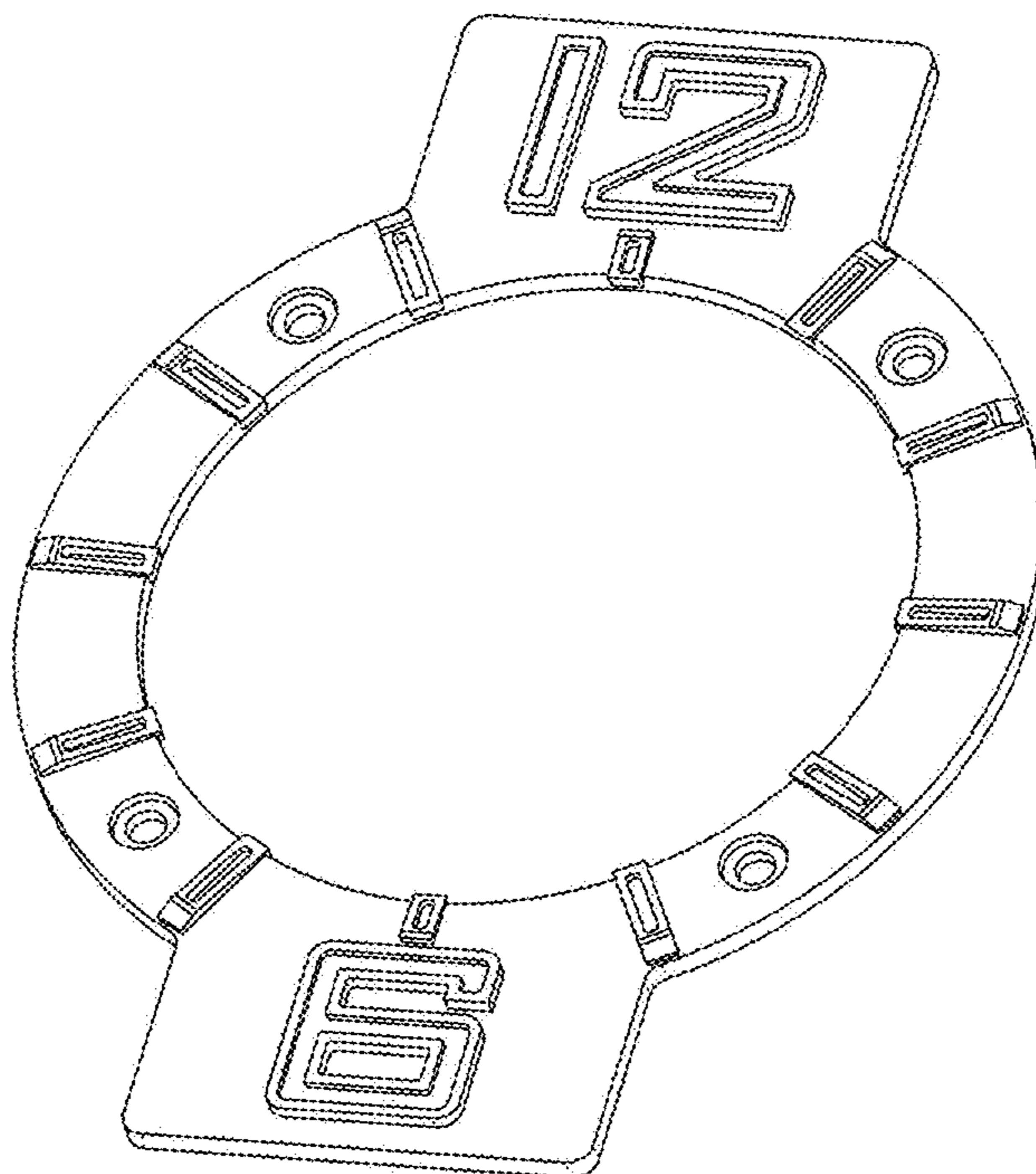
(57) **CLAIM**

The ornamental design for a dial, as shown and described.

**DESCRIPTION**

FIG. 1 is a front view of a dial of the present design;  
FIG. 2 is a rear view thereof;  
FIG. 3 is a right side view thereof;  
FIG. 4 is a left side view thereof;  
FIG. 5 is a top view thereof;  
FIG. 6 is a bottom view thereof; and  
FIG. 7 is a front perspective view thereof; and,  
FIG. 8 is a rear perspective view thereof.

**1 Claim, 8 Drawing Sheets**



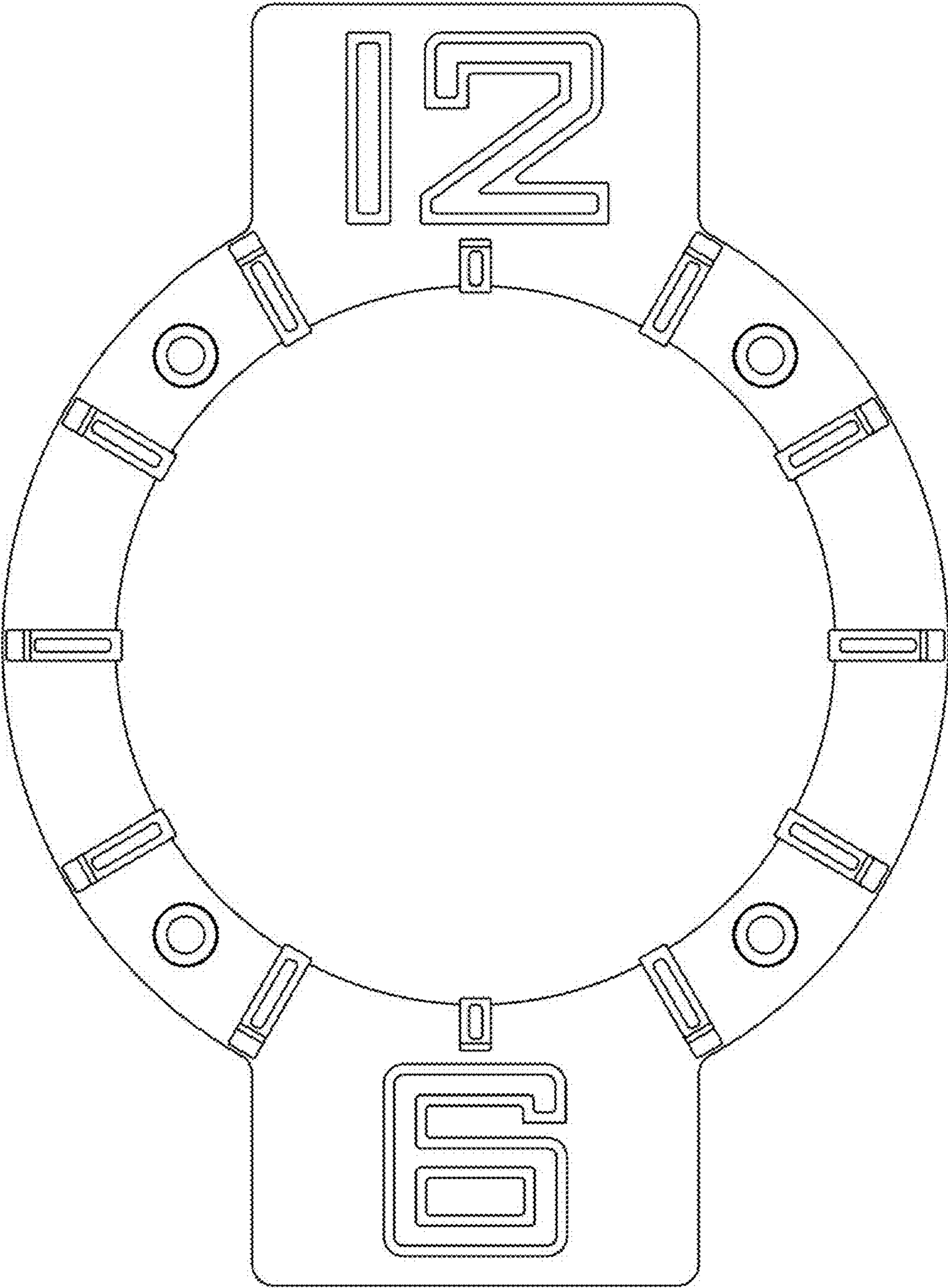


FIG 1

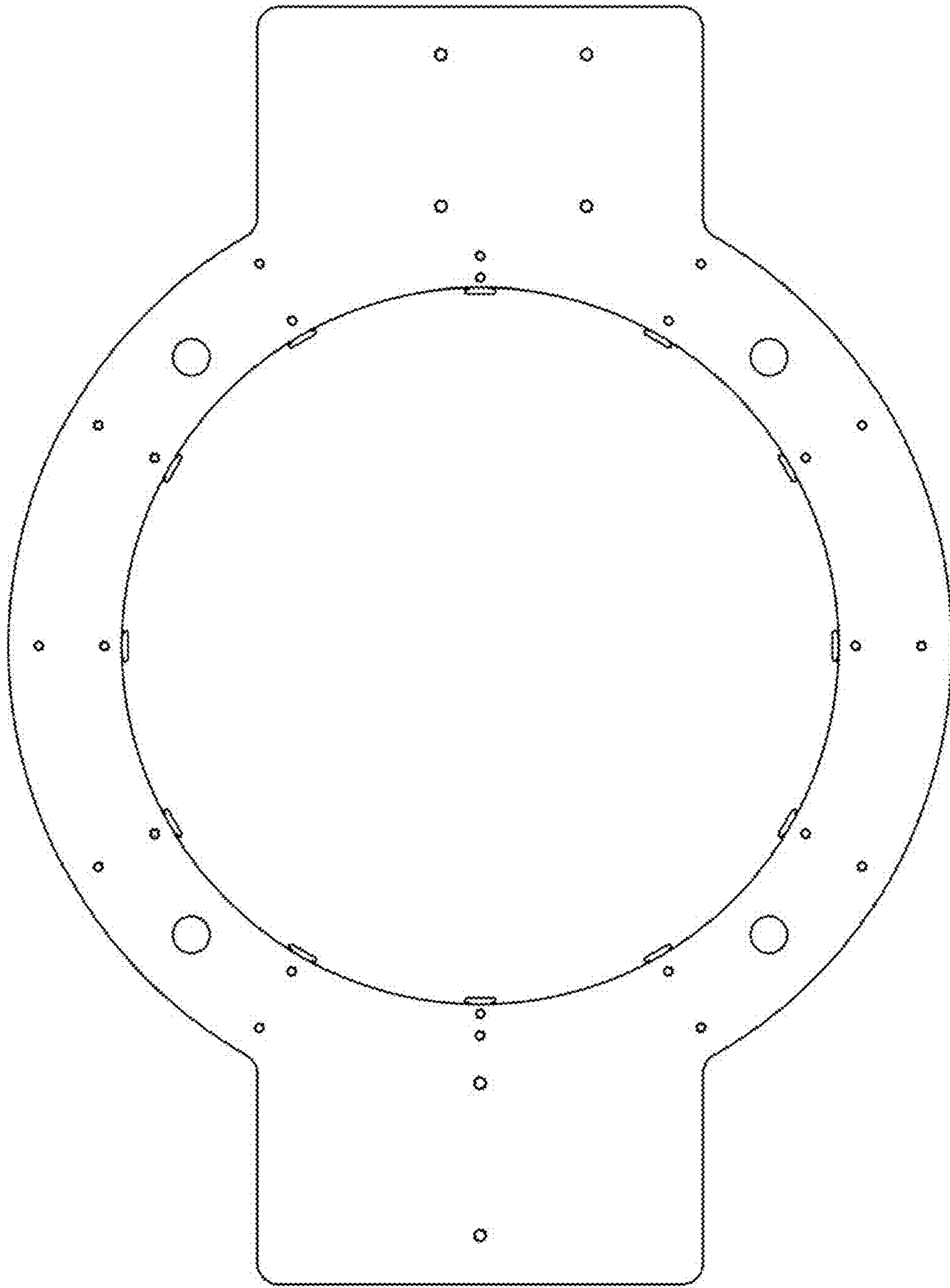


FIG 2



FIG 3



FIG 4



FIG 5



FIG 6



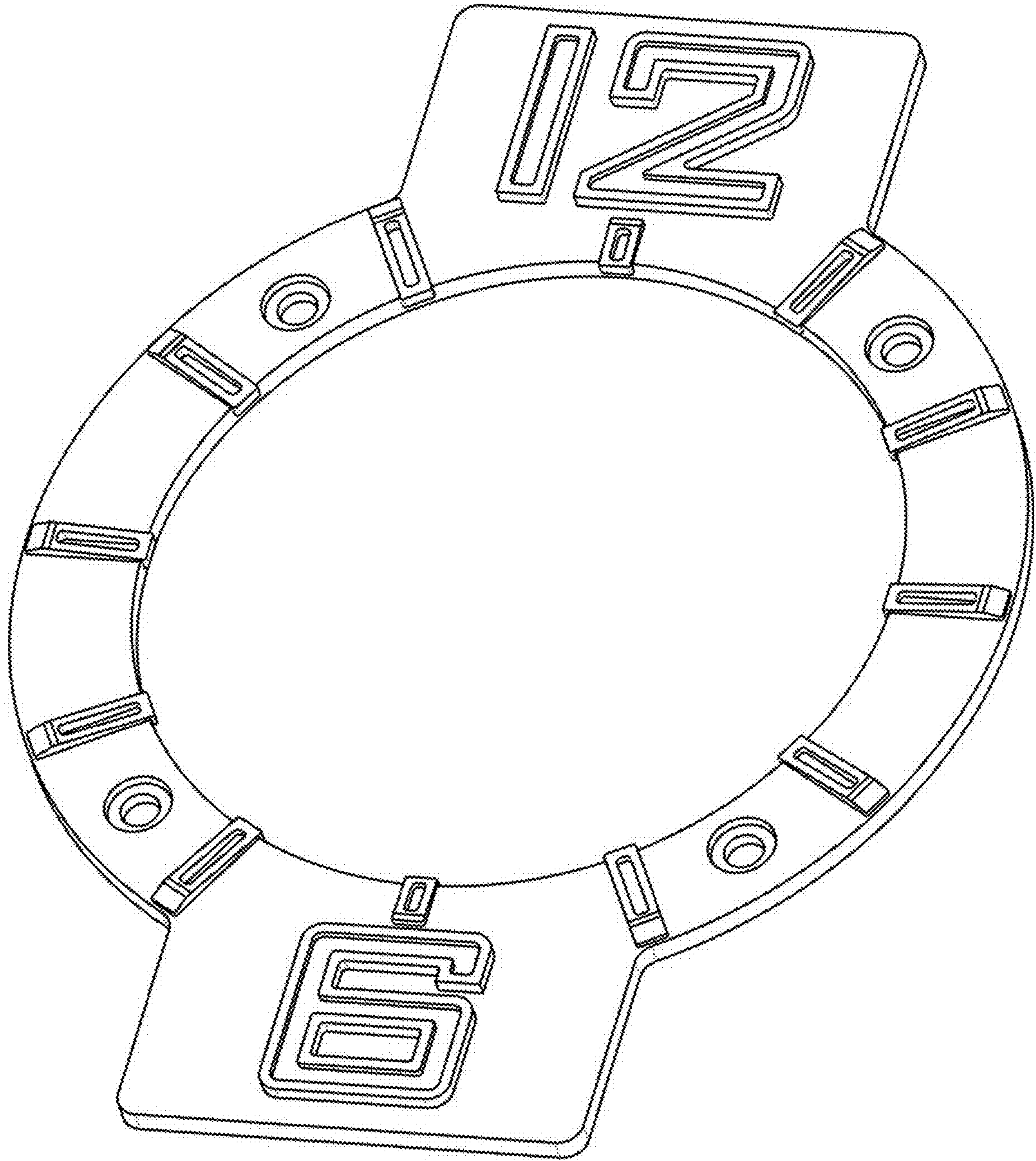


FIG 7



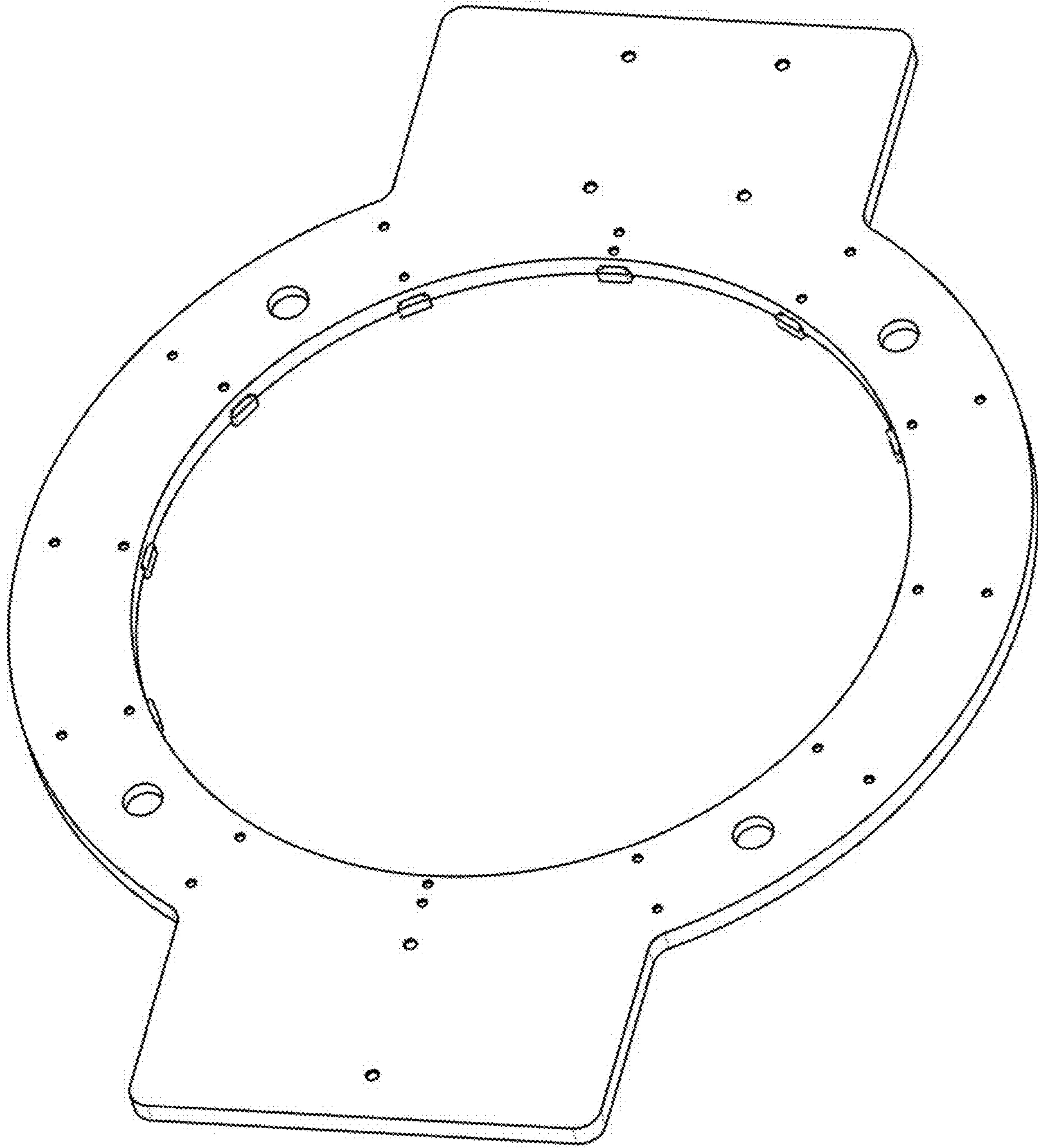


FIG 8