



US00D916606S

(12) **United States Design Patent**  
**Ying**

(10) **Patent No.:** **US D916,606 S**

(45) **Date of Patent:** **\*\* Apr. 20, 2021**

(54) **BARBECUE THERMOMETER**

(71) Applicant: **SHENZHEN NUOBIAN TECHNOLOGY CO., LTD.**, Shenzhen (CN)

(72) Inventor: **Zhimin Ying**, Shenzhen (CN)

(\*\*) Term: **15 Years**

(21) Appl. No.: **29/749,739**

(22) Filed: **Sep. 9, 2020**

(51) **LOC (13) Cl.** ..... **10-04**

(52) **U.S. Cl.**  
USPC ..... **D10/57**

(58) **Field of Classification Search**  
USPC ..... D10/57  
CPC ..... G01K 2207/02; G01K 2207/04; G01K 2207/06; G01K 2207/08  
See application file for complete search history.

(56) **References Cited**

**U.S. PATENT DOCUMENTS**

- D852,654 S \* 7/2019 Zou ..... D10/57
- D853,253 S \* 7/2019 Zuo ..... D10/57
- D858,320 S \* 9/2019 Wang ..... D10/57
- D860,831 S \* 9/2019 Zou ..... D10/57
- D884,499 S 5/2020 Yi

- D888,590 S 6/2020 Wang
- D904,907 S \* 12/2020 Peng ..... D10/57
- D910,468 S \* 2/2021 Liu ..... D10/57

\* cited by examiner

*Primary Examiner* — Antoine Duval Davis  
(74) *Attorney, Agent, or Firm* — Erson IP (Nelson IP)

(57) **CLAIM**

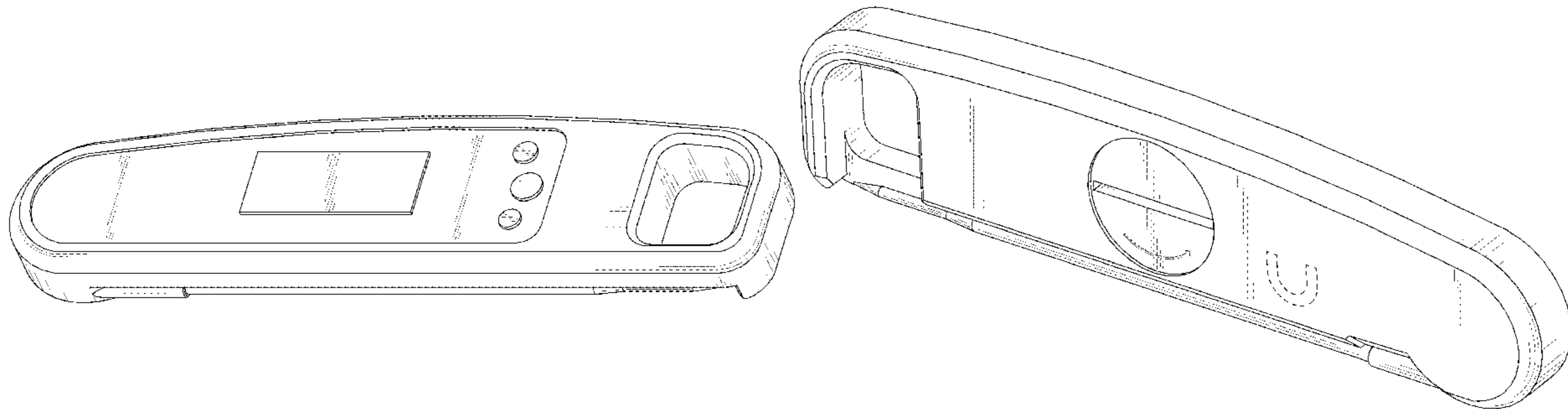
The ornamental design for a barbecue thermometer, as shown and described.

**DESCRIPTION**

FIG. 1 is a perspective view of a barbecue thermometer showing my new design;  
FIG. 2 is another perspective view thereof;  
FIG. 3 is a front view thereof;  
FIG. 4 is a rear view thereof;  
FIG. 5 is a top plan view thereof;  
FIG. 6 is a bottom plan view thereof.  
FIG. 7 is a left side view thereof; and,  
FIG. 8 is a right side view thereof.

The broken lines in the figures illustrate portions of the barbecue thermometer that form no part of the claimed design.

**1 Claim, 7 Drawing Sheets**



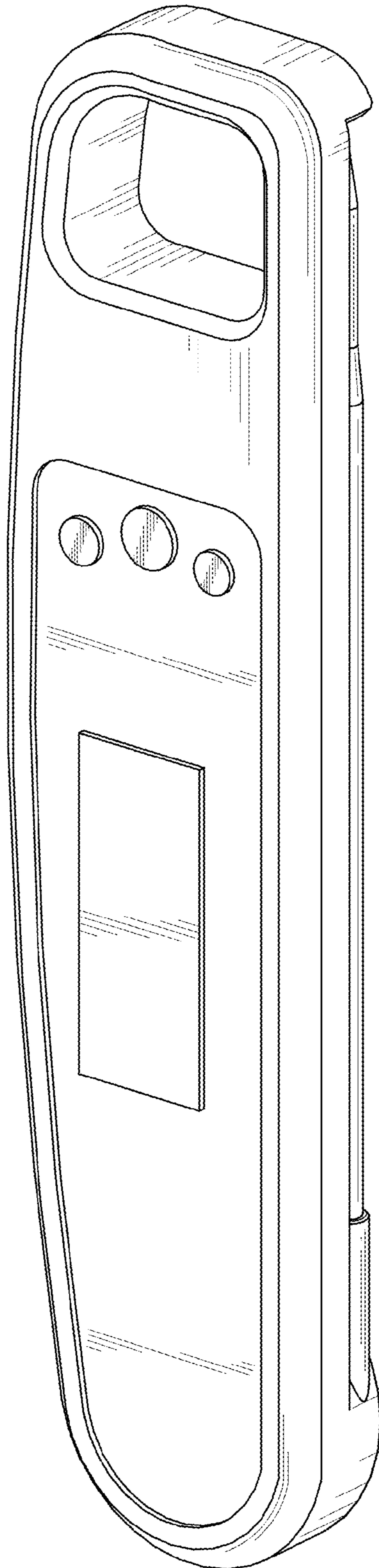


FIG. 1

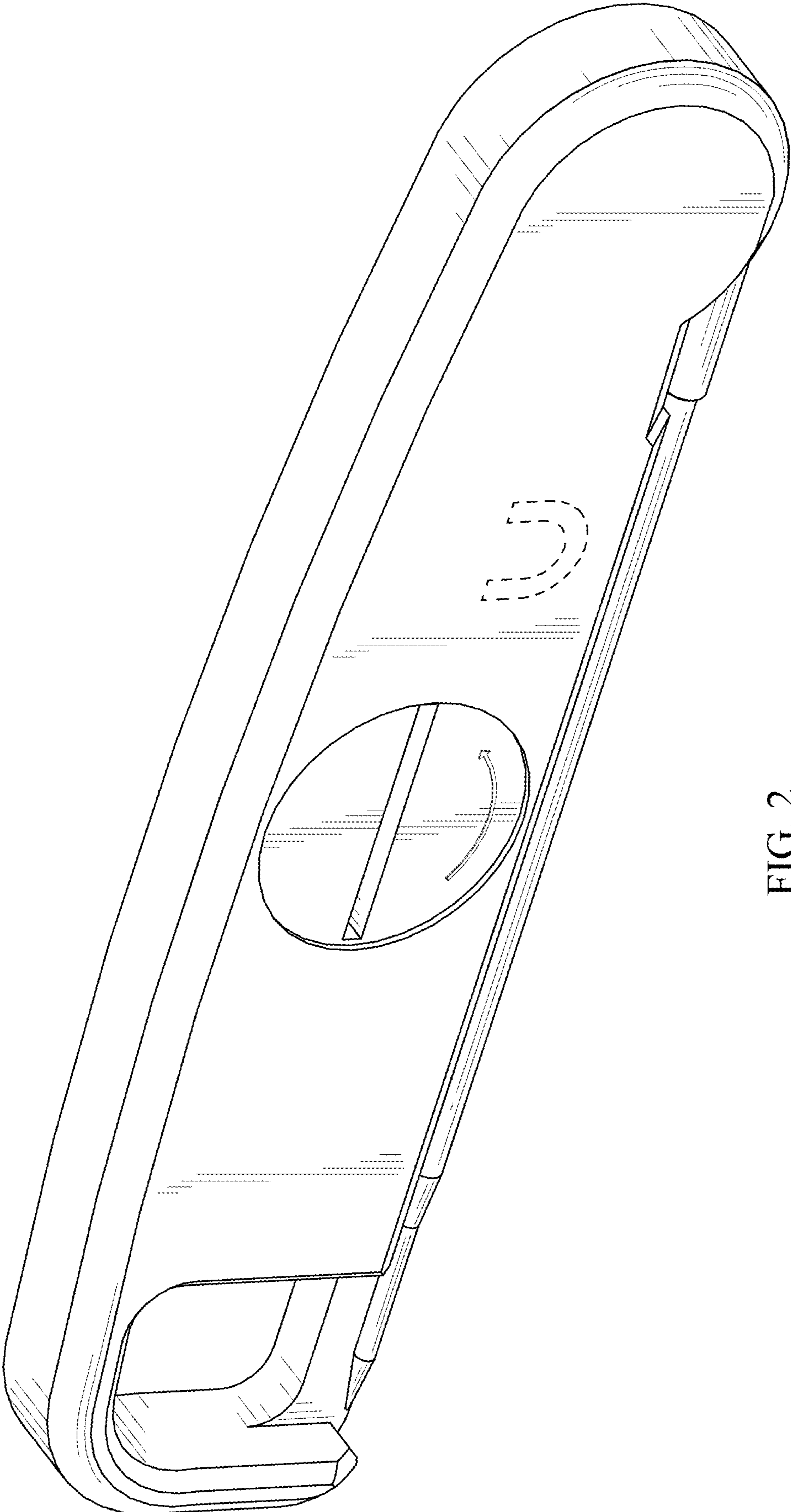


FIG. 2

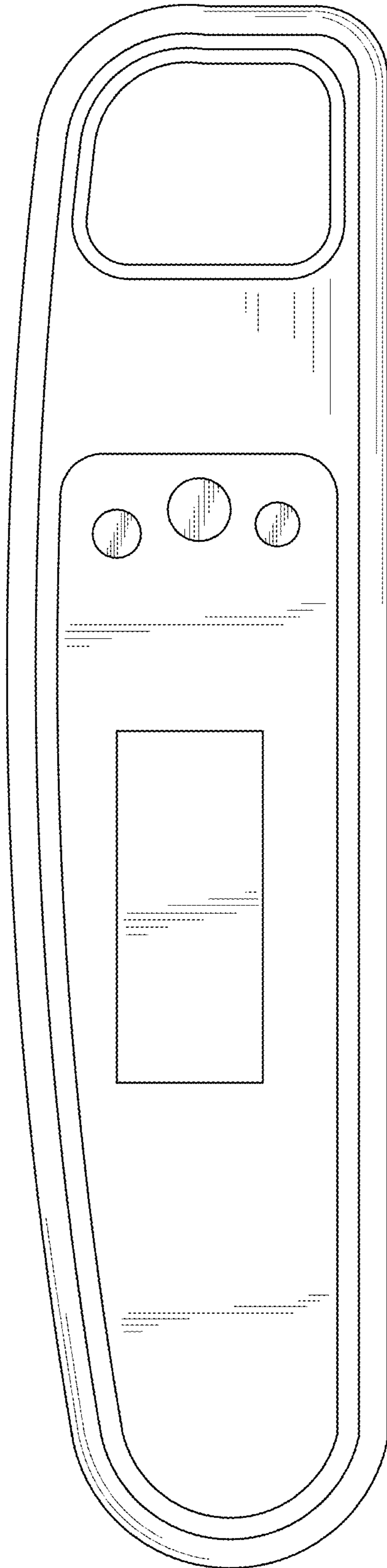


FIG. 3

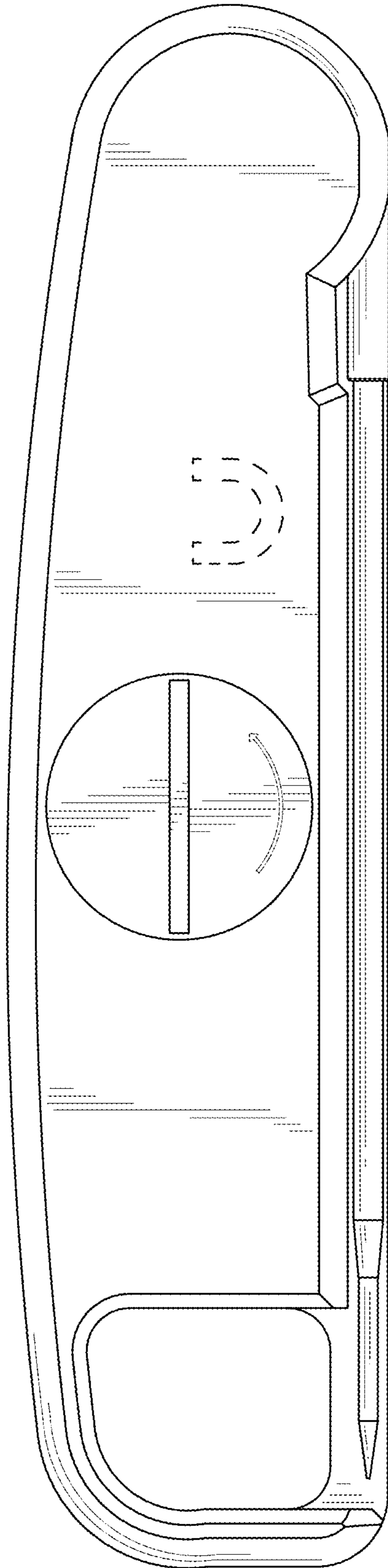


FIG. 4

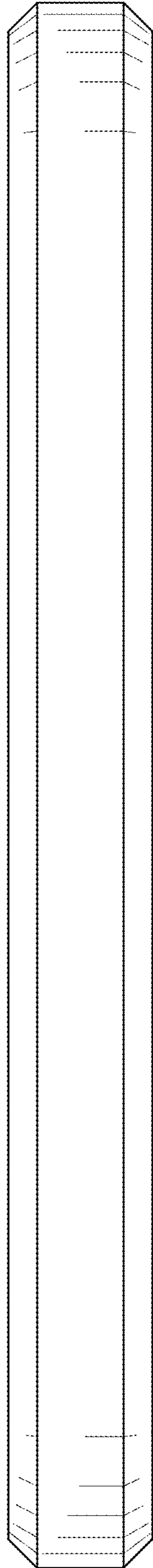


FIG. 5

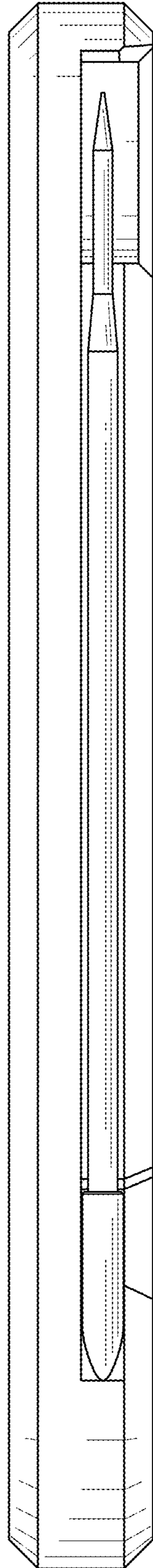


FIG. 6

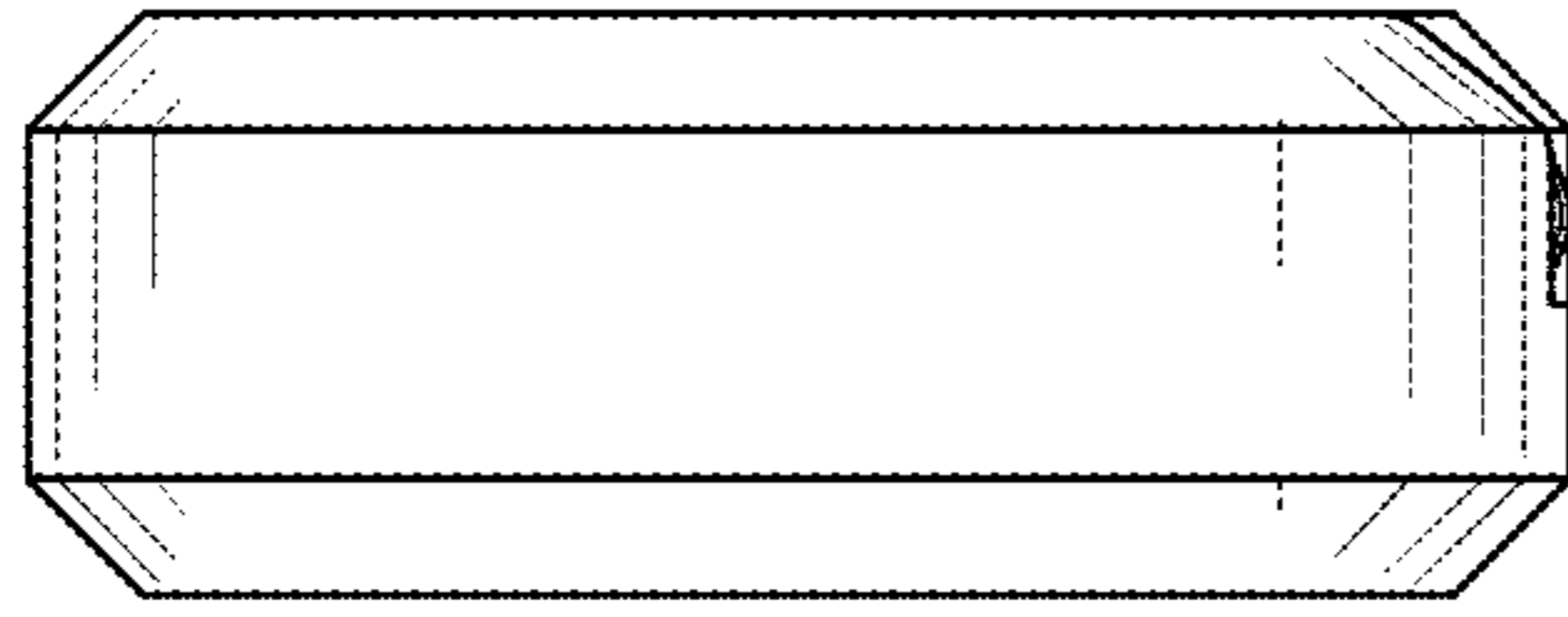


FIG. 8

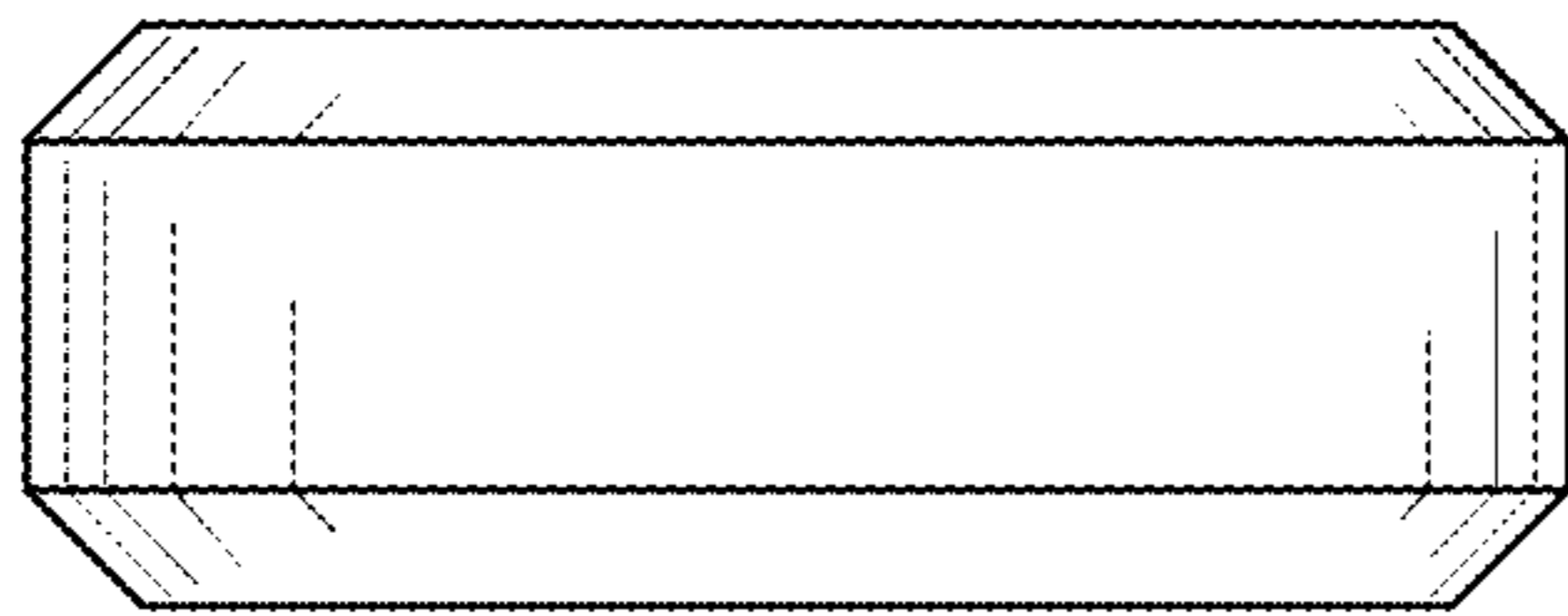


FIG. 7