



US00D916603S

(12) **United States Design Patent**
Lim

(10) **Patent No.:** **US D916,603 S**
(45) **Date of Patent:** **** Apr. 20, 2021**

- (54) **INFRARED FOREHEAD THERMOMETER**
- (71) Applicant: **Chiat Koo Lim**, Sugar Land, TX (US)
- (72) Inventor: **Chiat Koo Lim**, Sugar Land, TX (US)
- (**) Term: **15 Years**
- (21) Appl. No.: **29/692,979**
- (22) Filed: **May 30, 2019**
- (51) **LOC (13) Cl.** **10-04**
- (52) **U.S. Cl.**
USPC **D10/57**
- (58) **Field of Classification Search**
USPC D10/57, 60
CPC G01K 1/02; G01K 1/022; G01K 1/024;
G01K 1/08; G01K 1/083; G01K 1/086;
G01K 3/00-3/14; G01K 2003/145; G01K
13/002; G01K 13/004; G01K 2219/00;
G01K 5/04-5/225; G01K 5/22; G01K
221/00; G01K 1/20; G01K 3/005; G01K
3/06; G01K 13/04; G01J 5/04; G01J
5/041; G01J 5/042; G01J 5/043; G01J
5/044; G01J 5/045; G01J 5/046; G01J
5/047; G01J 5/048; G01J 5/049; G01J
5/0265

See application file for complete search history.

- (56) **References Cited**
U.S. PATENT DOCUMENTS
- D317,414 S 6/1991 Lanci et al.
- D398,249 S 9/1998 Hsieh
- 6,129,673 A 10/2000 Fraden
- D448,314 S 9/2001 Chen
- D457,443 S 5/2002 Riester-Freudenmann
- D493,733 S 8/2004 Chen
- 6,832,989 B2 12/2004 Sato et al.
- D549,114 S 8/2007 Sebban
- 7,651,265 B2 1/2010 Yang et al.
- D614,978 S 5/2010 Houlihan et al.

- 7,785,266 B2 8/2010 Fraden
- D664,053 S * 7/2012 Lacotta D10/57
- D666,111 S * 8/2012 Lacotta D10/57
- D666,928 S 9/2012 Elrod
- D668,561 S 10/2012 Dunkin et al.
- D676,770 S * 2/2013 Lacotta D10/57
- D693,247 S * 11/2013 Juhng D10/57
- 8,882,347 B2 * 11/2014 Fraden G01J 5/02
374/209
- D724,449 S 3/2015 Chang
- D726,033 S 4/2015 Roth et al.
- 9,797,780 B2 * 10/2017 Kuroyama A61B 5/01
- D804,332 S 12/2017 Lim et al.
- 9,885,617 B2 * 2/2018 Tsuchida G01K 7/16
- D842,137 S 3/2019 Wang
- D843,242 S 3/2019 Wang
- D843,243 S * 3/2019 Wang G01K 13/002
D10/57
- D873,157 S * 1/2020 Gao G01K 7/16
D10/57
- 10,564,044 B2 * 2/2020 Bradley G01K 13/002
(Continued)

Primary Examiner — Antoine Duval Davis

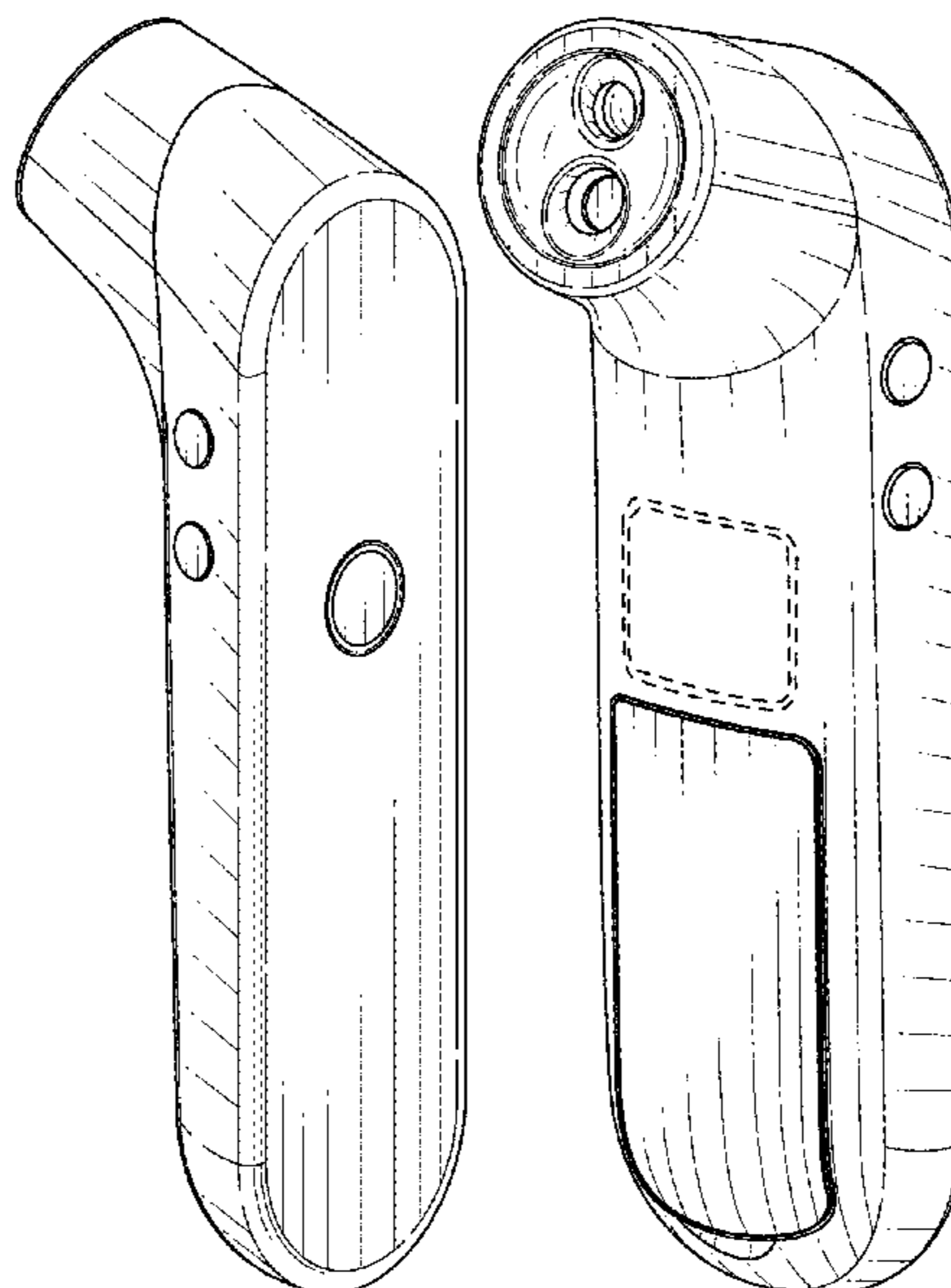
(57) **CLAIM**

I claim the ornamental design for an infrared forehead thermometer, as shown and described.

DESCRIPTION

FIG. 1 is a rear perspective view of an infrared forehead thermometer, showing our new design; FIG. 2 is a front perspective view thereof; FIG. 3 is a rear elevational view thereof; FIG. 4 is a front elevational view thereof; FIG. 5 is a right-side elevational view thereof; FIG. 6 is a left-side elevational view thereof; FIG. 7 is a top plan view thereof; and, FIG. 8 is a bottom plan view thereof. The broken lines in the figures depict environmental matter and form no part of the claimed design.

1 Claim, 6 Drawing Sheets



(56)

References Cited

U.S. PATENT DOCUMENTS

2005/0094705 A1 5/2005 Chi
2008/0285618 A1 11/2008 Chen

* cited by examiner

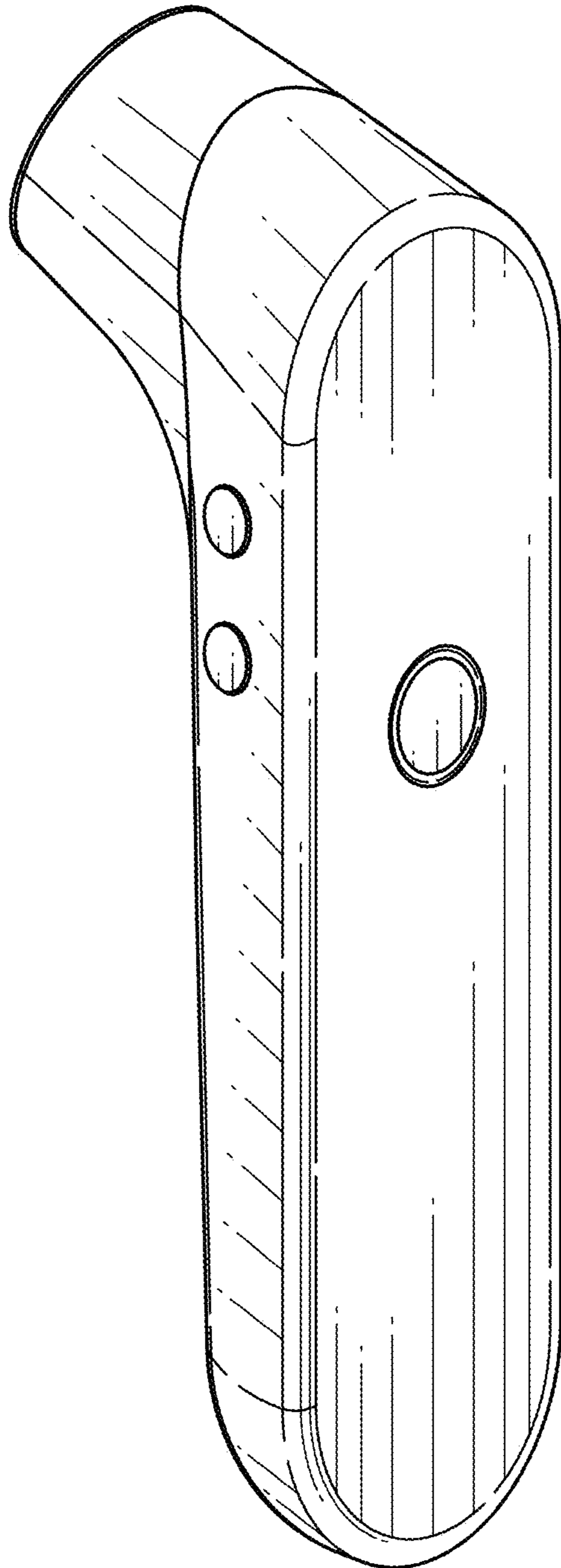


FIG. 1

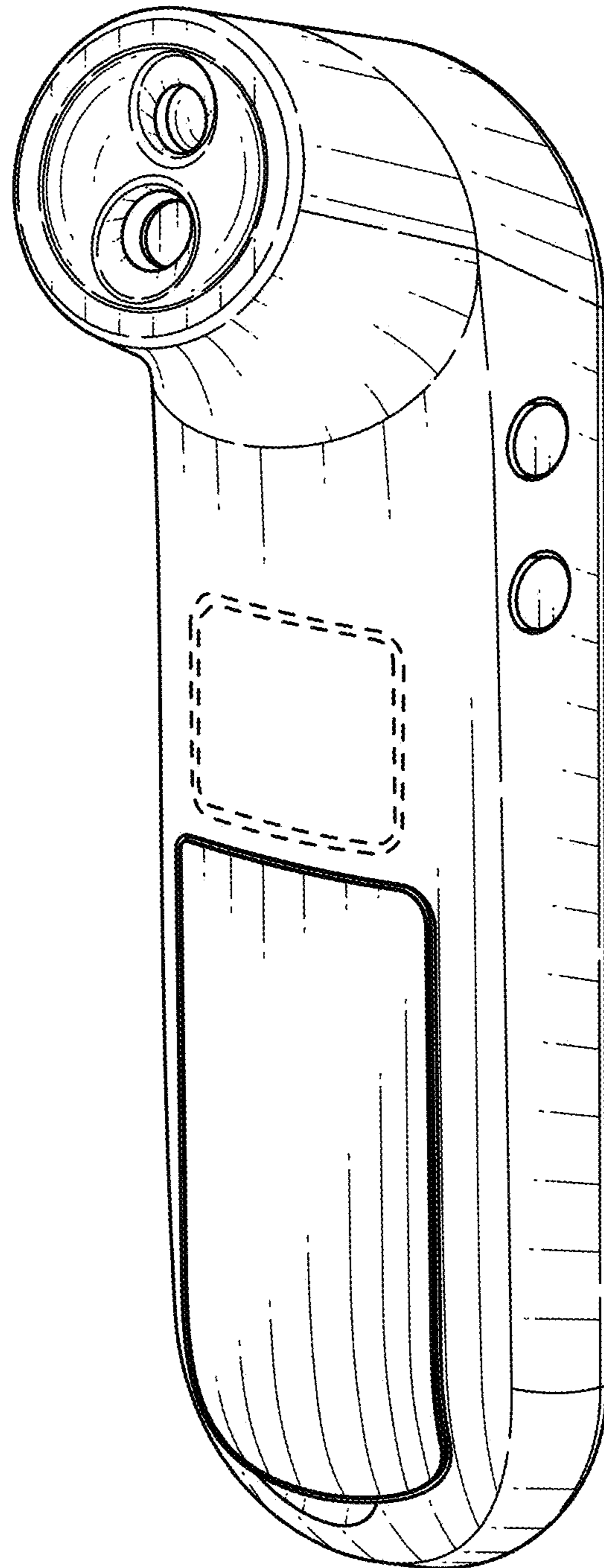


FIG. 2

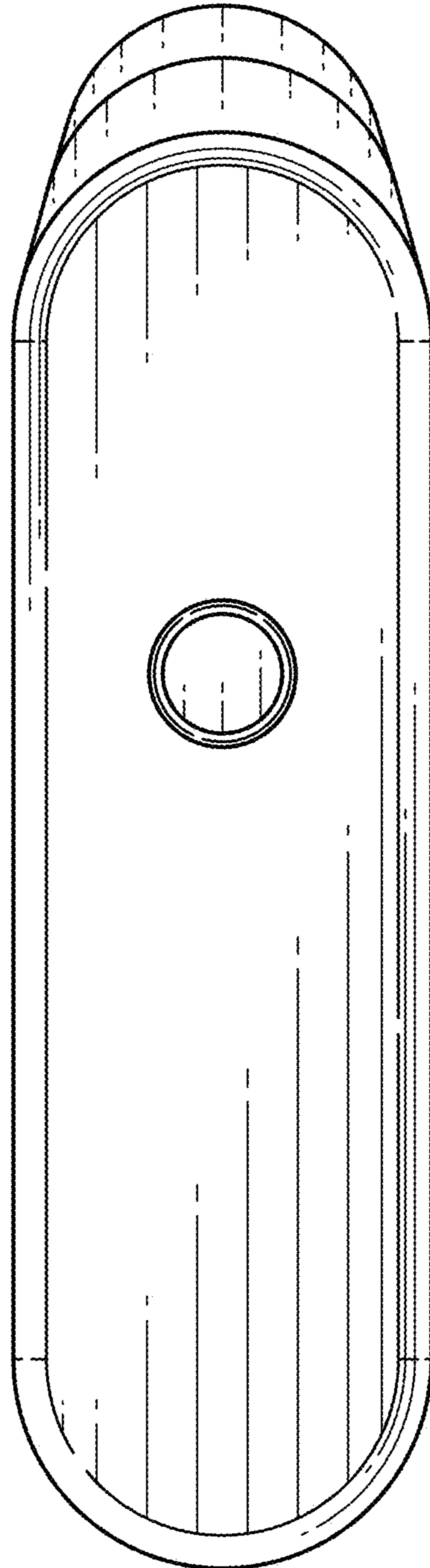


FIG. 3

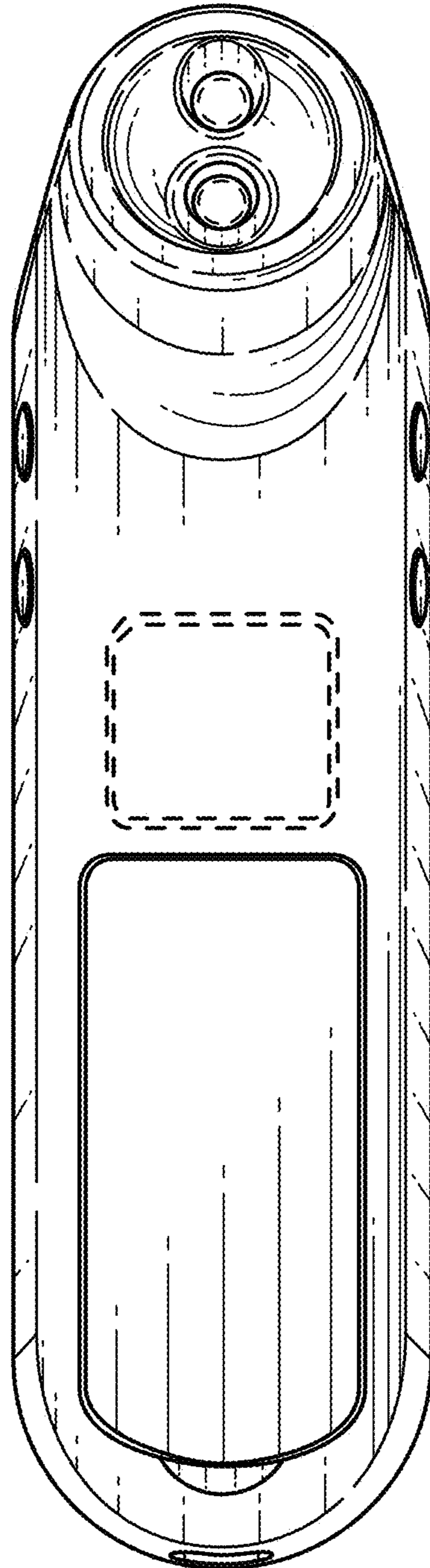


FIG. 4

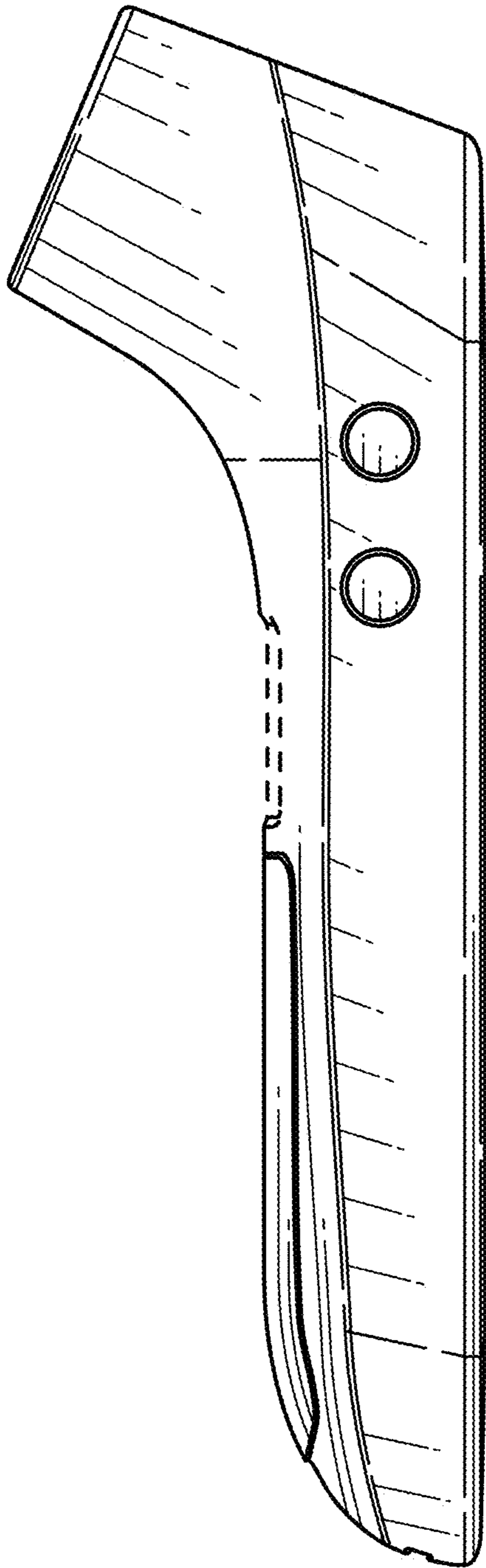


FIG. 5

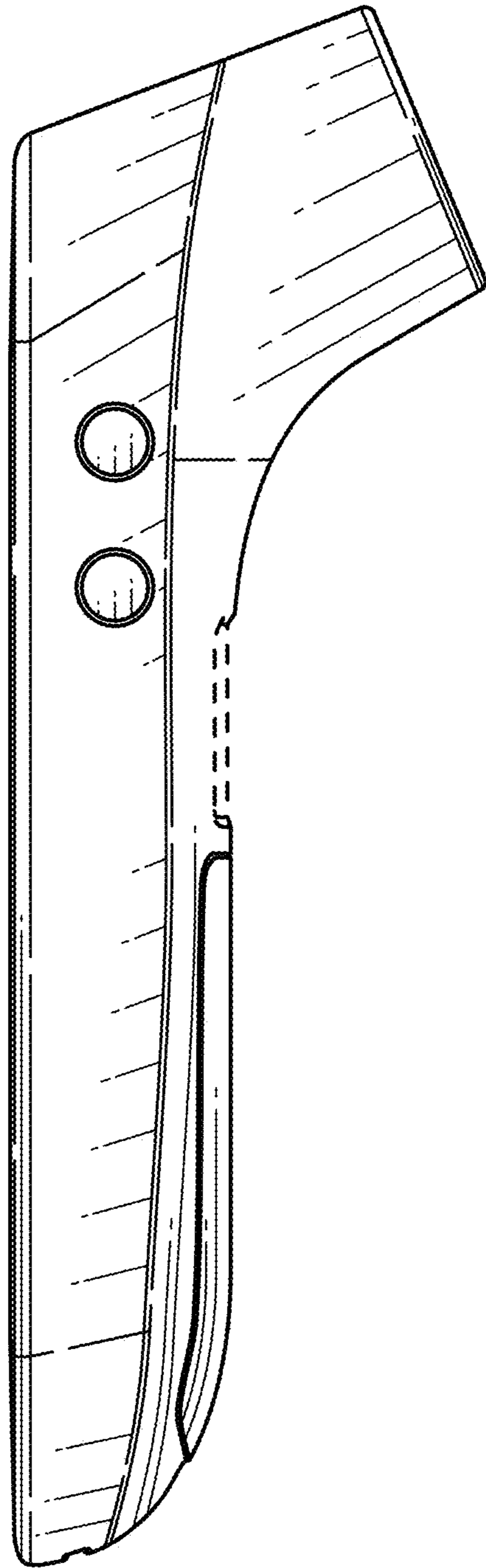


FIG. 6

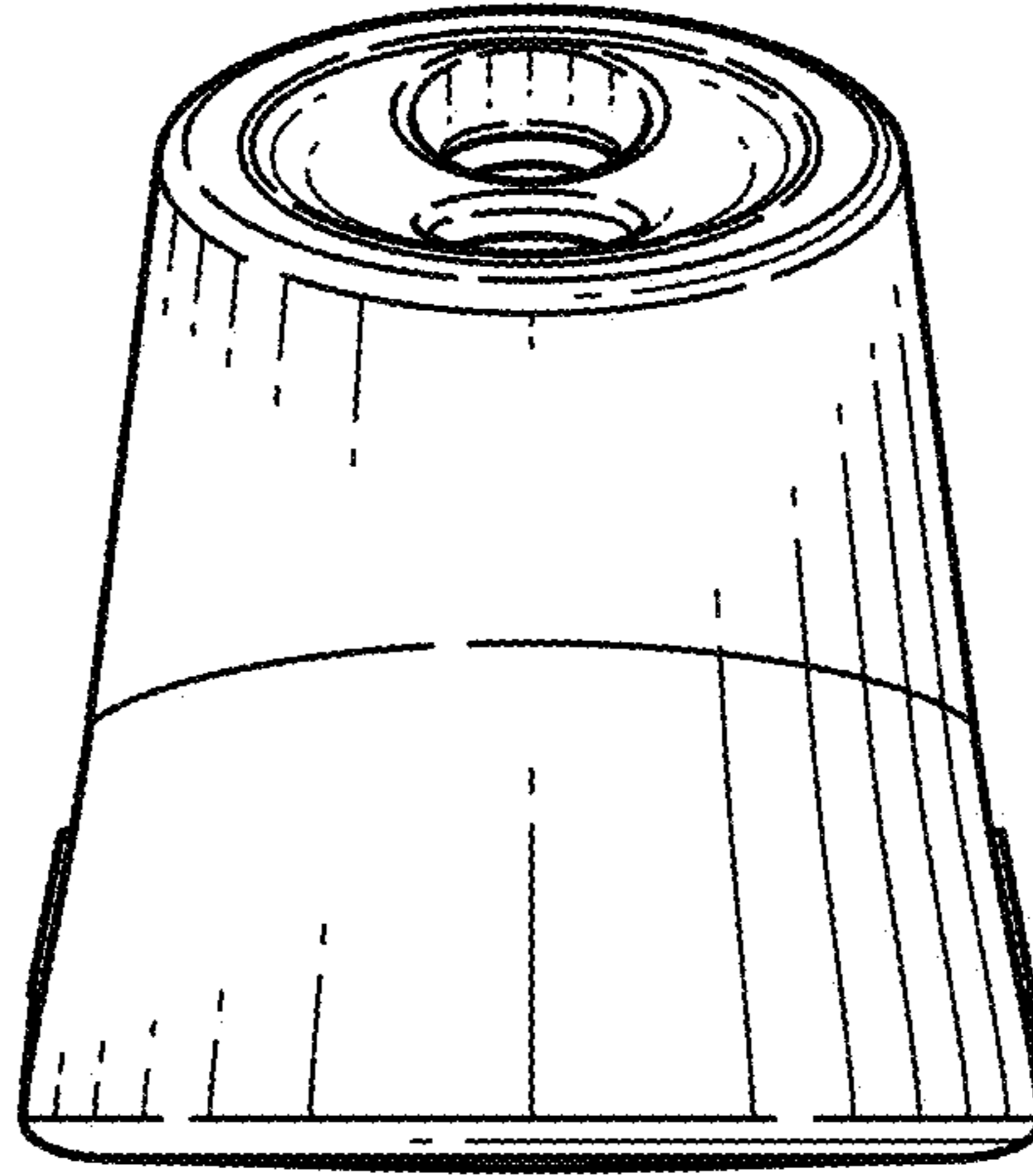


FIG. 7

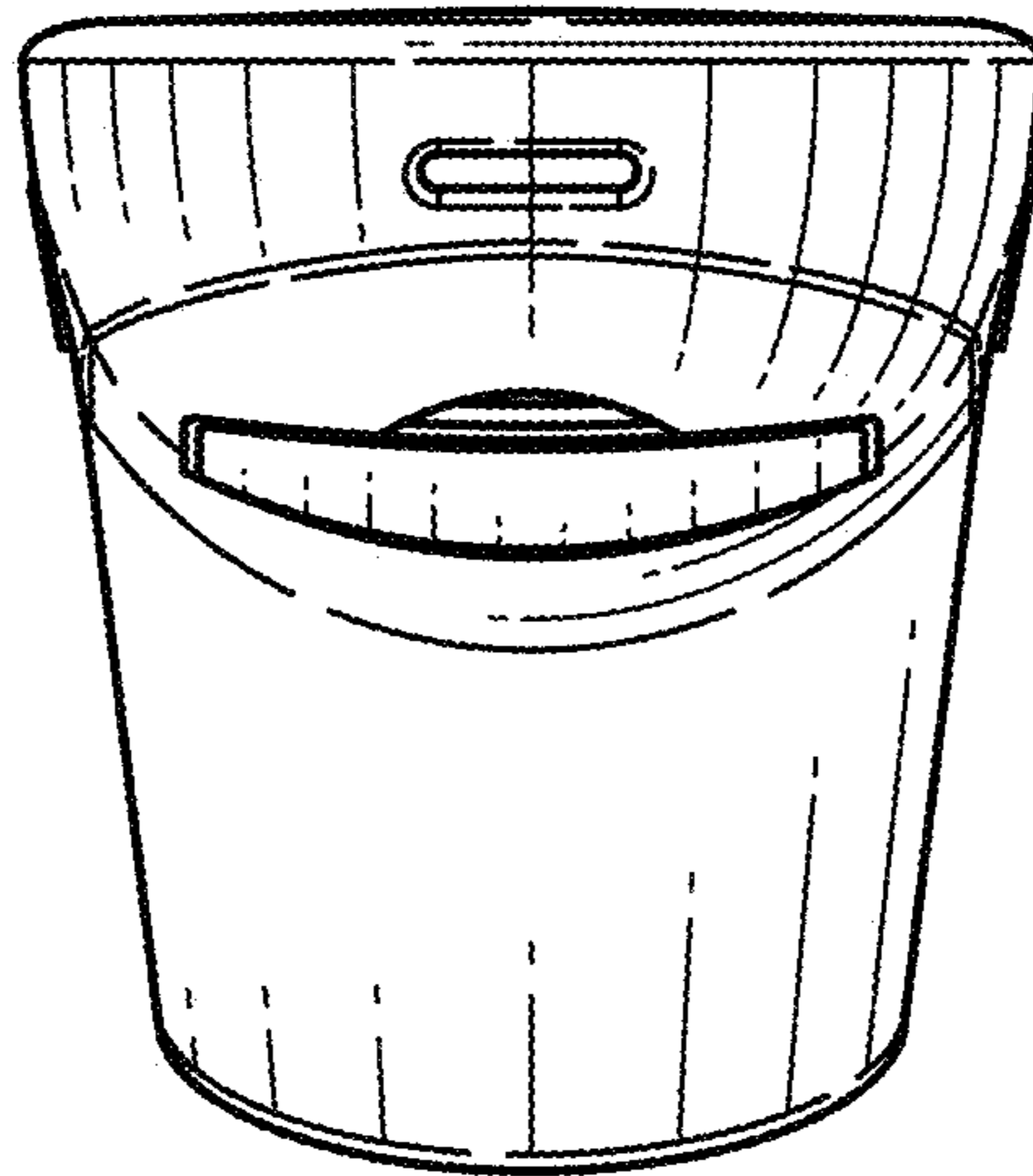


FIG. 8