



US00D916602S

(12) **United States Design Patent** (10) **Patent No.:** **US D916,602 S**
Ramasamy et al. (45) **Date of Patent:** **** Apr. 20, 2021**

(54) **REFRIGERATION CONTROL DEVICE**

(56) **References Cited**

(71) Applicant: **Lennox Industries Inc.**, Richardson, TX (US)

(72) Inventors: **Surendran Ramasamy**, Chennai (IN); **Shashwat Nath**, Sandy Springs, GA (US); **Raviganesh Thirumalaisamy**, Chennai (IN); **Stephen J. Vendt**, Lewisville, TX (US); **Melissa Amoros**, Richardson, TX (US); **Bruce K. Lee**, Champions Gate, FL (US)

U.S. PATENT DOCUMENTS

D669,865 S *	10/2012	Gilbert	D13/162
D808,828 S *	1/2018	Gilbert	D10/50
D811,245 S *	2/2018	Combe	D10/50
D824,786 S *	8/2018	Combe	D10/50
D838,677 S *	1/2019	Vogtner	H05B 45/50
				D13/162
D843,240 S *	3/2019	Combe	D10/50
D881,826 S *	4/2020	Hayes	D13/162

* cited by examiner

(73) Assignee: **Lennox Industries Inc.**, Richardson, TX (US)

Primary Examiner — Antoine Duval Davis
 (74) *Attorney, Agent, or Firm* — Shackelford, Bowen, McKinley & Norton, LLP

(**) Term: **15 Years**

(57) **CLAIM**

(21) Appl. No.: **29/691,669**

The ornamental design for a refrigeration control device, as shown and described.

(22) Filed: **May 17, 2019**

DESCRIPTION

(51) **LOC (13) Cl.** **10-04**

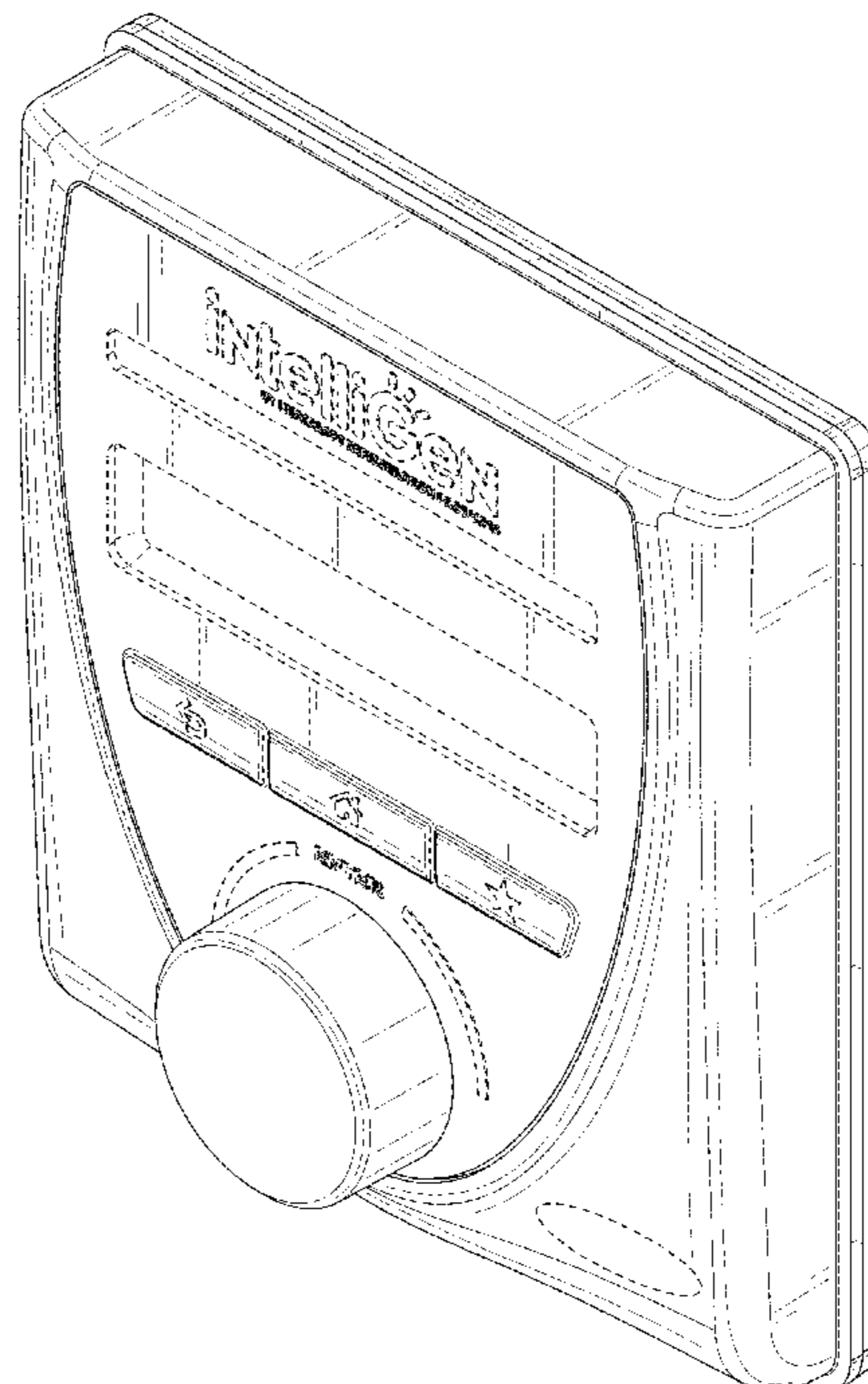
(52) **U.S. Cl.**
USPC **D10/49; D13/162.1**

(58) **Field of Classification Search**
 USPC D10/49, 50; D13/162, 162.1; D14/126, D14/336, 371, 374, 389
 CPC F25D 23/028; F25D 23/04; F25D 27/005; F25D 2323/0023; F25D 2400/34; F25D 2400/36; F25D 2400/361; F25D 2600/00; F25D 2700/00; F25D 2700/02; F25D 2700/04; F25D 2700/06; F25D 2700/08; F25D 2700/10; F25D 2700/12; F25D 2700/121; F25D 2700/122; F25D 2700/123; F25D 2700/14; F25D 2700/16

FIG. 1 is a perspective view of a refrigeration control device in accordance with the design;
 FIG. 2 is a front view thereof;
 FIG. 3 is a back view thereof;
 FIG. 4 is a left side view thereof;
 FIG. 5 is a right side view thereof;
 FIG. 6 is a top plan view thereof; and,
 FIG. 7 is a bottom plan view thereof.
 Stippling and tangency lines in the drawings represent three-dimensional contours of the design and are not intended to indicate surface decoration. Broken lines in the drawings are for illustrative purposes only and form no part of the claimed design.

See application file for complete search history.

1 Claim, 6 Drawing Sheets



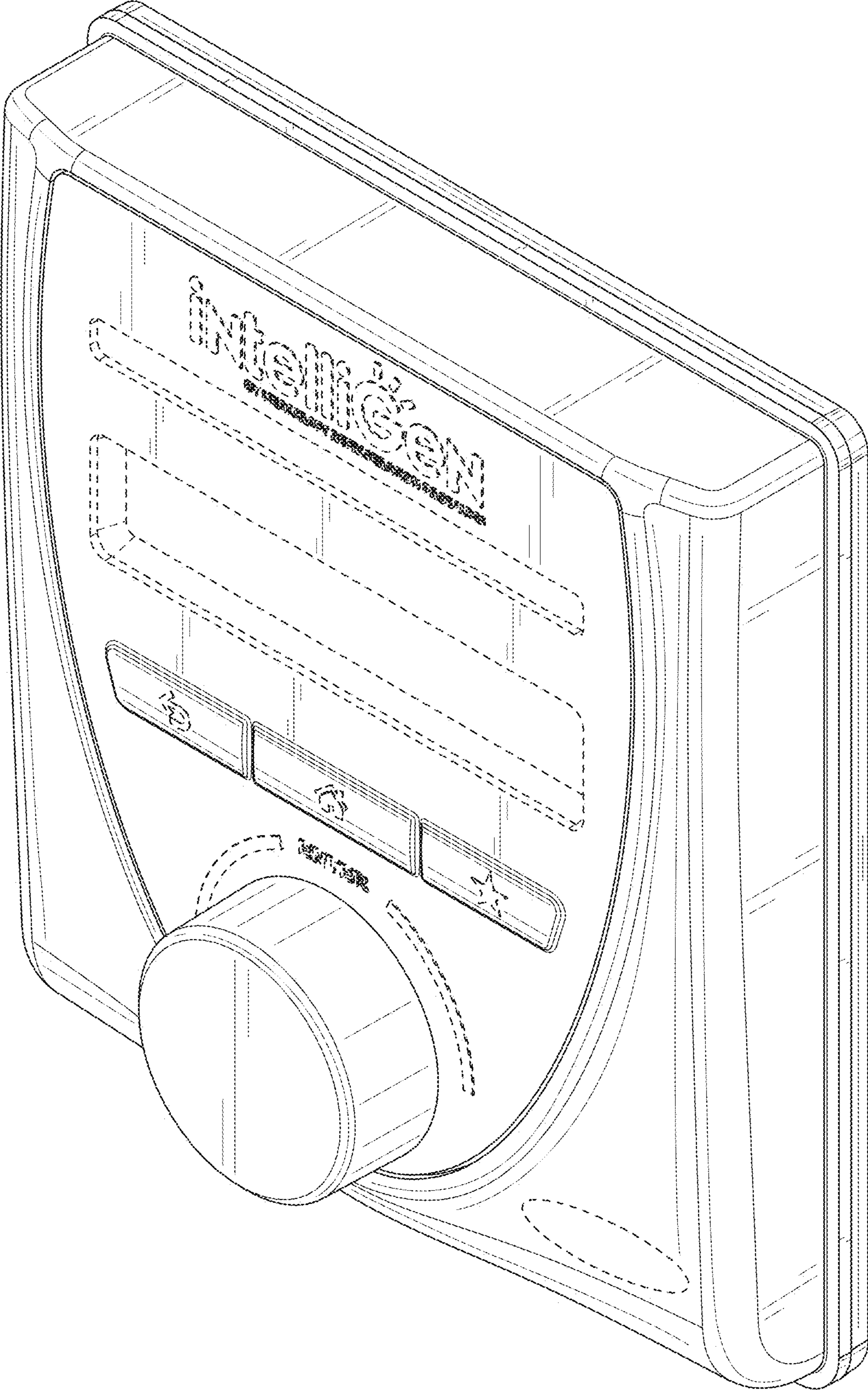


FIG. 1

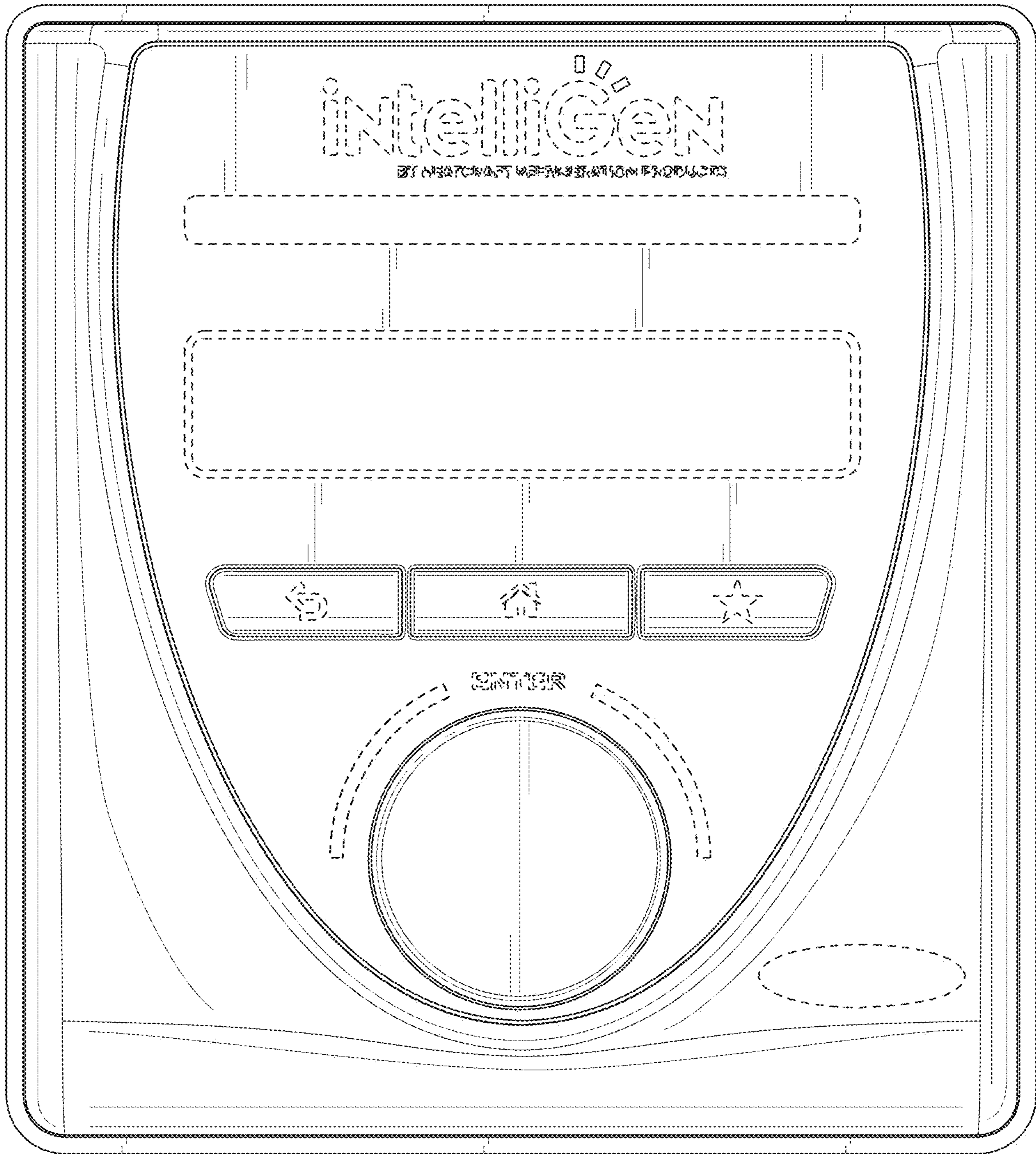


FIG. 2

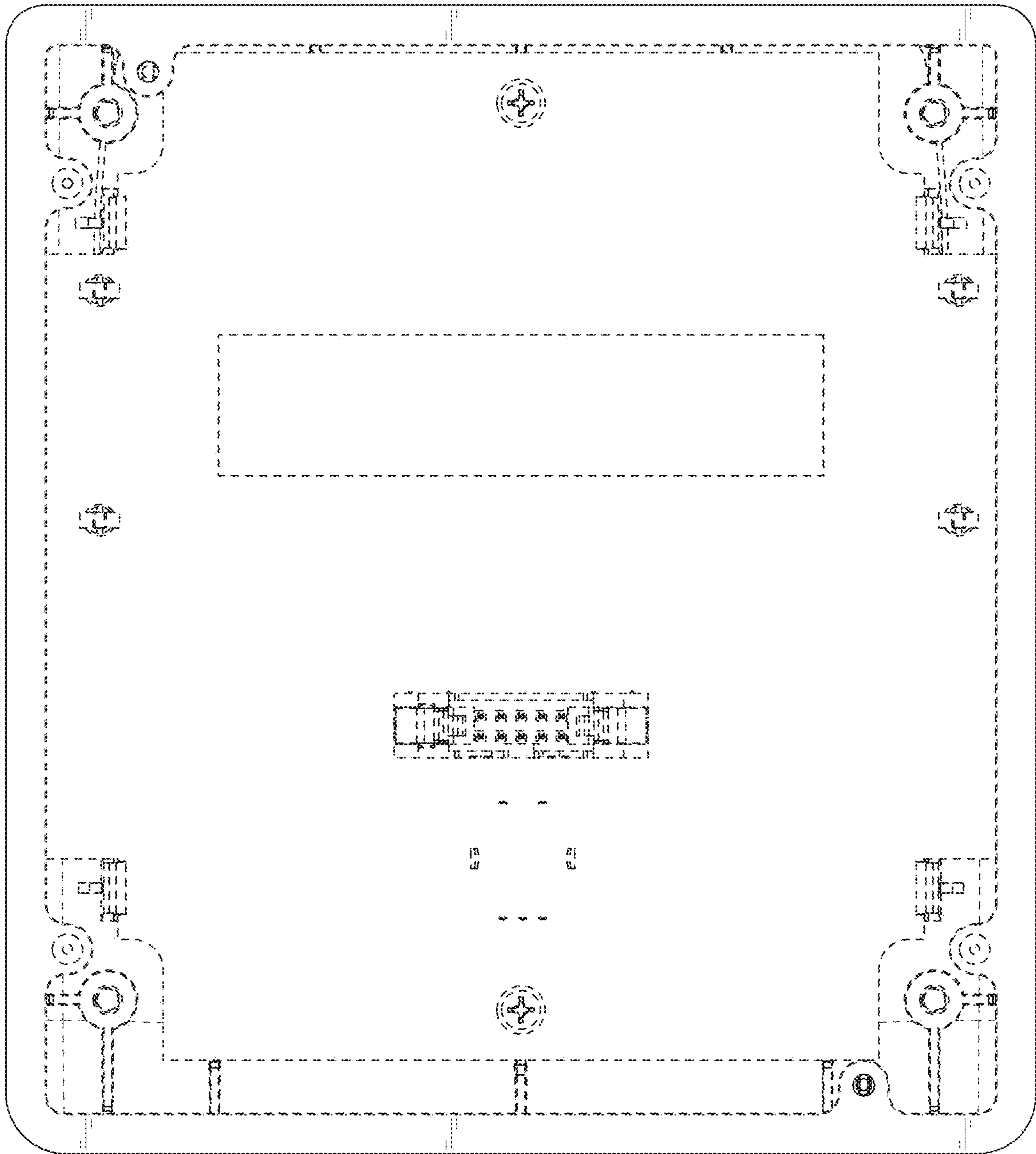


FIG. 3

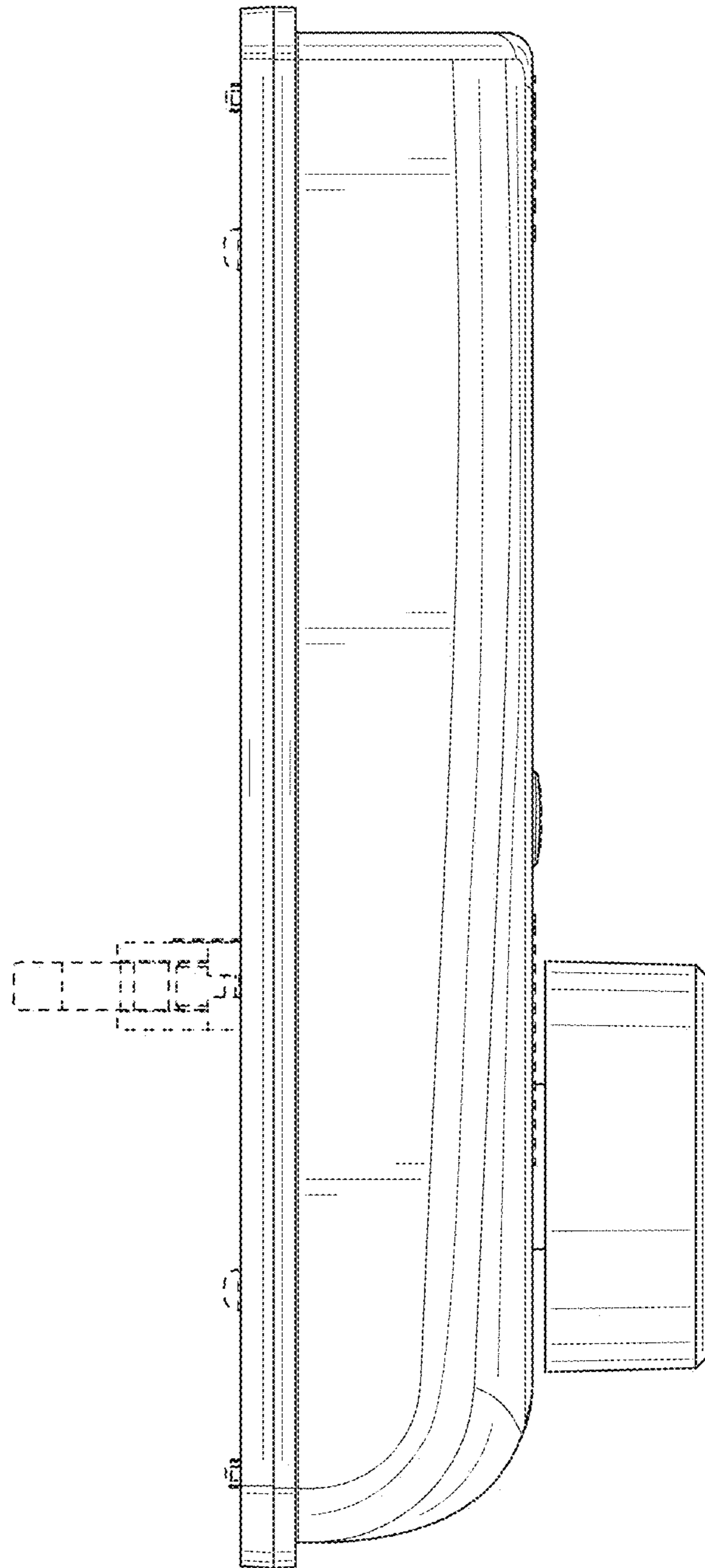


FIG. 4

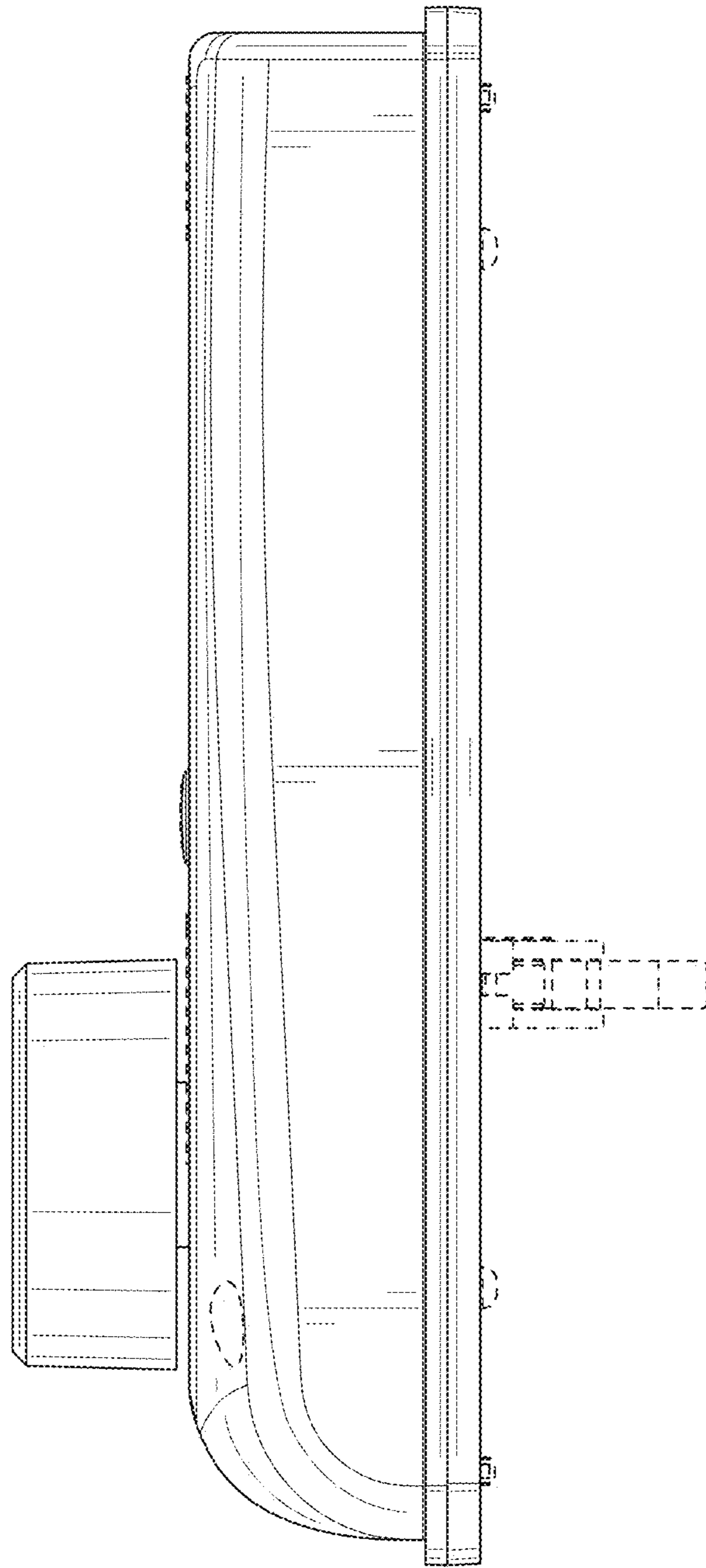


FIG. 5

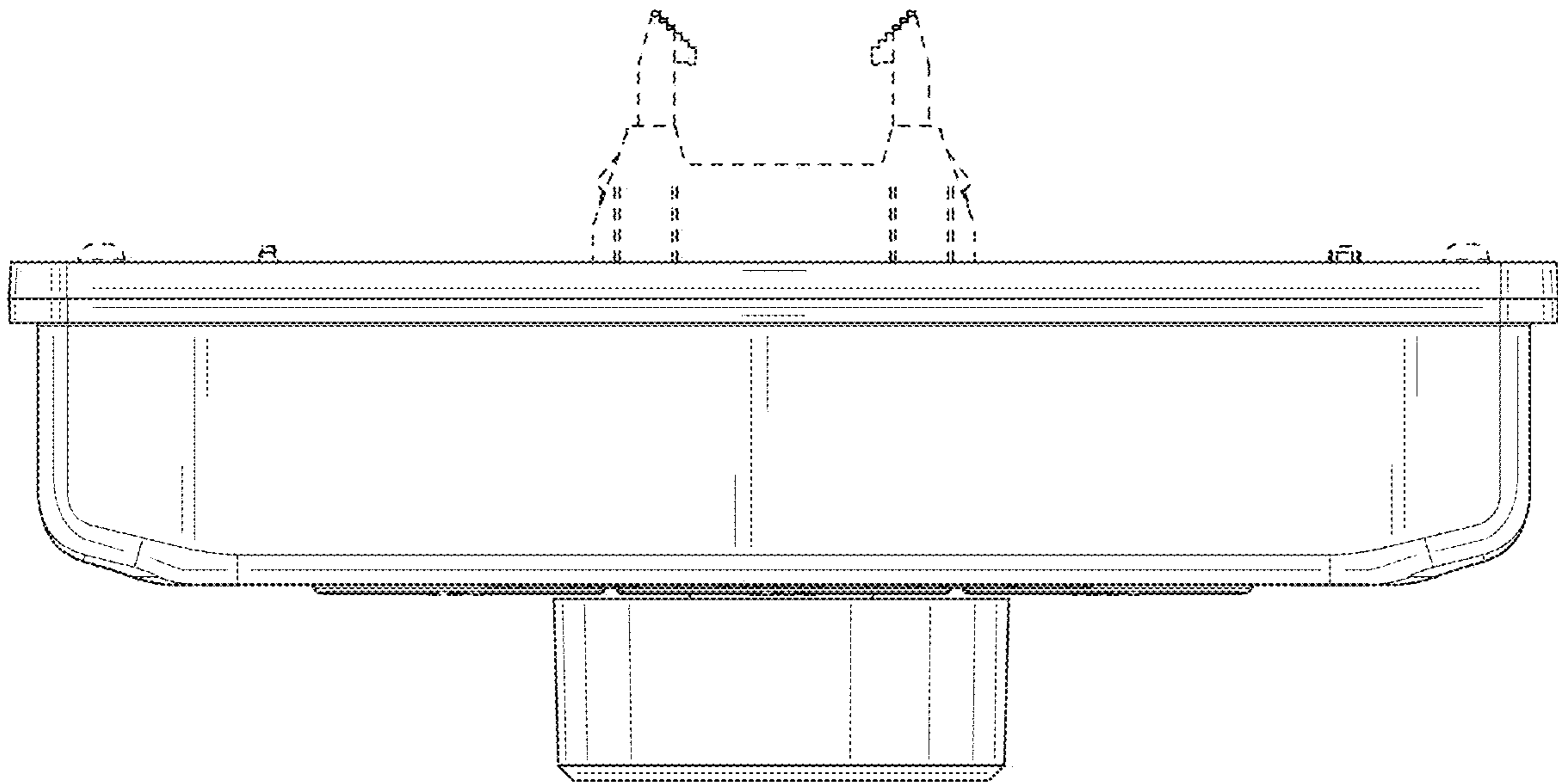


FIG. 6

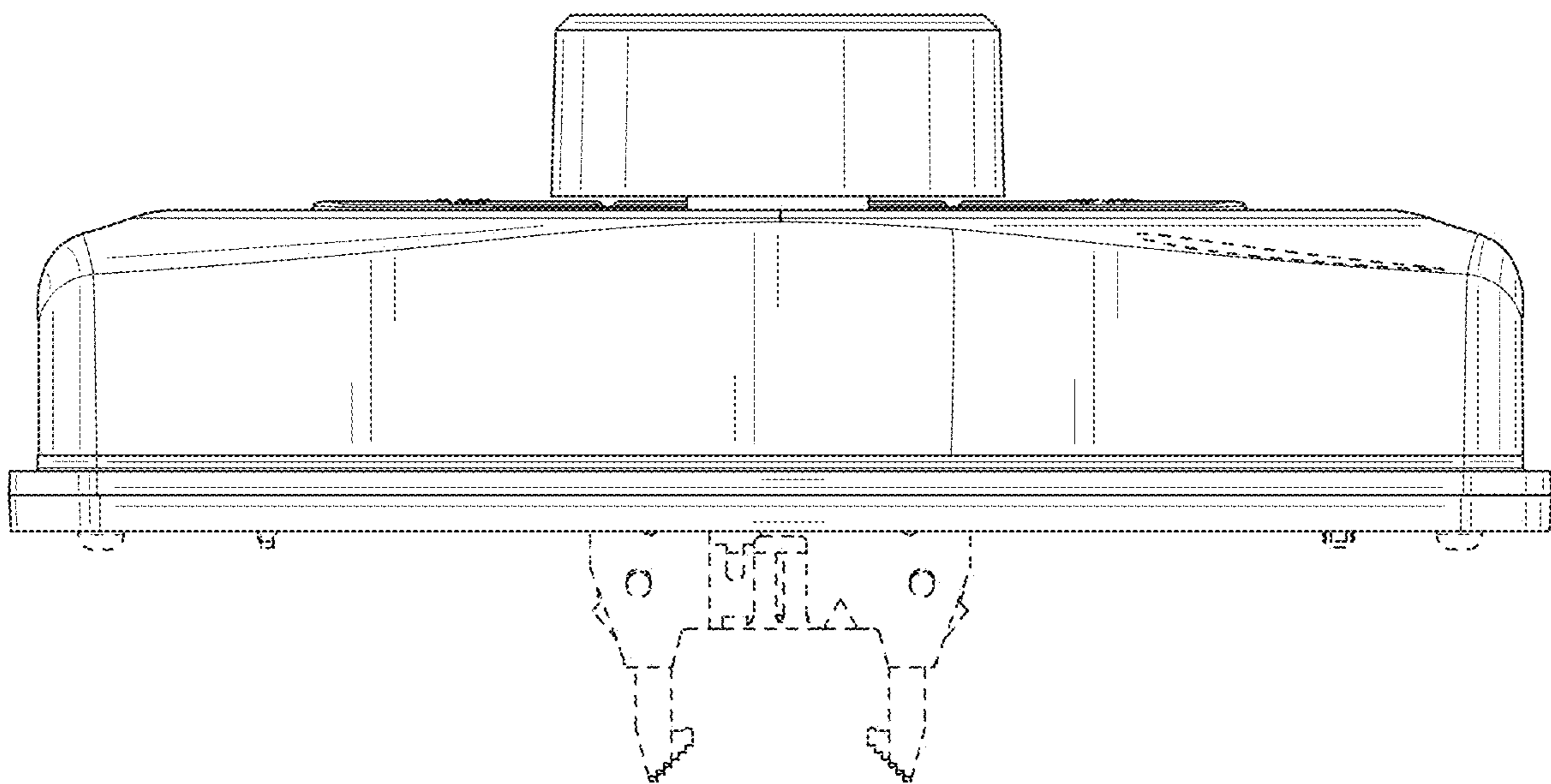


FIG. 7