



US00D916601S

(12) **United States Design Patent**  
**Ylikörkkö**

(10) **Patent No.:** **US D916,601 S**  
(45) **Date of Patent:** **\*\* Apr. 20, 2021**

(54) **WRISTWATCH WITH MONITOR FUNCTION FOR BODY STATE**

(71) Applicant: **Polar Electro Oy**, Kempele (FI)

(72) Inventor: **Mikko Ylikörkkö**, Kempele (FI)

(73) Assignee: **POLAR ELECTRO OY**, Kempele (FI)

(\*\*) Term: **15 Years**

(21) Appl. No.: **29/706,396**

(22) Filed: **Sep. 19, 2019**

(30) **Foreign Application Priority Data**

Mar. 22, 2019 (EM) ..... 006320578-0001

(51) **LOC (13) Cl.** ..... **10-02**

(52) **U.S. Cl.**  
USPC ..... **D10/38; D24/186; D14/344**

(58) **Field of Classification Search**

USPC ... D10/30-39, 65, 70, 97-98, 102, 121-124,  
D10/126-128, 131-132; D14/344;  
D24/167, 186; D11/2, 3, 5, 19, 26  
CPC ..... G04B 19/00; G04B 19/04; G04B 19/046;  
G04B 19/10; G04B 19/103; G04B  
19/106; G04B 19/12; G04B 19/20; G04B  
19/202; G04B 19/223; G04B 19/243;  
G04B 19/283; G04B 37/00; G04B  
37/0008; G04B 37/12; G04B 39/002;  
G04B 39/004; G04B 39/006; G04B  
45/0069; G04B 45/0076; G04G 19/06;  
G04G 21/08; A44C 5/00; A44C 5/02;  
A44C 5/023; A44C 5/0007; A44C 5/147;  
A44C 5/0053; A61B 5/681; A61B  
5/6824; G06F 1/163

See application file for complete search history.

(56) **References Cited**

**U.S. PATENT DOCUMENTS**

4,964,092 A \* 10/1990 Brida ..... G04B 37/1486  
224/170  
D455,356 S \* 4/2002 Saffer ..... D10/32

D476,581 S \* 7/2003 Galvani ..... D10/30  
D527,284 S \* 8/2006 Buccellati ..... D10/38  
D647,808 S \* 11/2011 Giroud ..... D10/38  
D650,704 S \* 12/2011 Actis-Datta ..... D10/32  
D653,564 S \* 2/2012 Eida ..... D10/32  
D656,845 S \* 4/2012 Maier ..... D10/39  
D762,494 S \* 8/2016 Galli ..... D10/39  
D768,623 S \* 10/2016 Zou ..... D14/344  
D795,088 S \* 8/2017 Monachon ..... D10/30  
D827,831 S \* 9/2018 Fong ..... D24/167  
D834,430 S \* 11/2018 Schaad ..... D10/30  
D836,466 S \* 12/2018 Shi ..... D10/32  
D838,855 S \* 1/2019 Lumme ..... D24/167  
D858,311 S \* 9/2019 Zhang ..... D10/30

(Continued)

**OTHER PUBLICATIONS**

Polar Ignite GPS InDepth Review | dcrainmaker.com Aug. 9, 2019  
[online], © 2021 DC Rainmaker [retrieved Jan. 7, 2021] from  
Internet: <<https://www.dcrainmaker.com/2019/08/polar-ignite-gps-in-depth-review.html>> (Year: 2019).\*

*Primary Examiner* — Katherine Glennon

(74) *Attorney, Agent, or Firm* — FisherBroyles, LLP

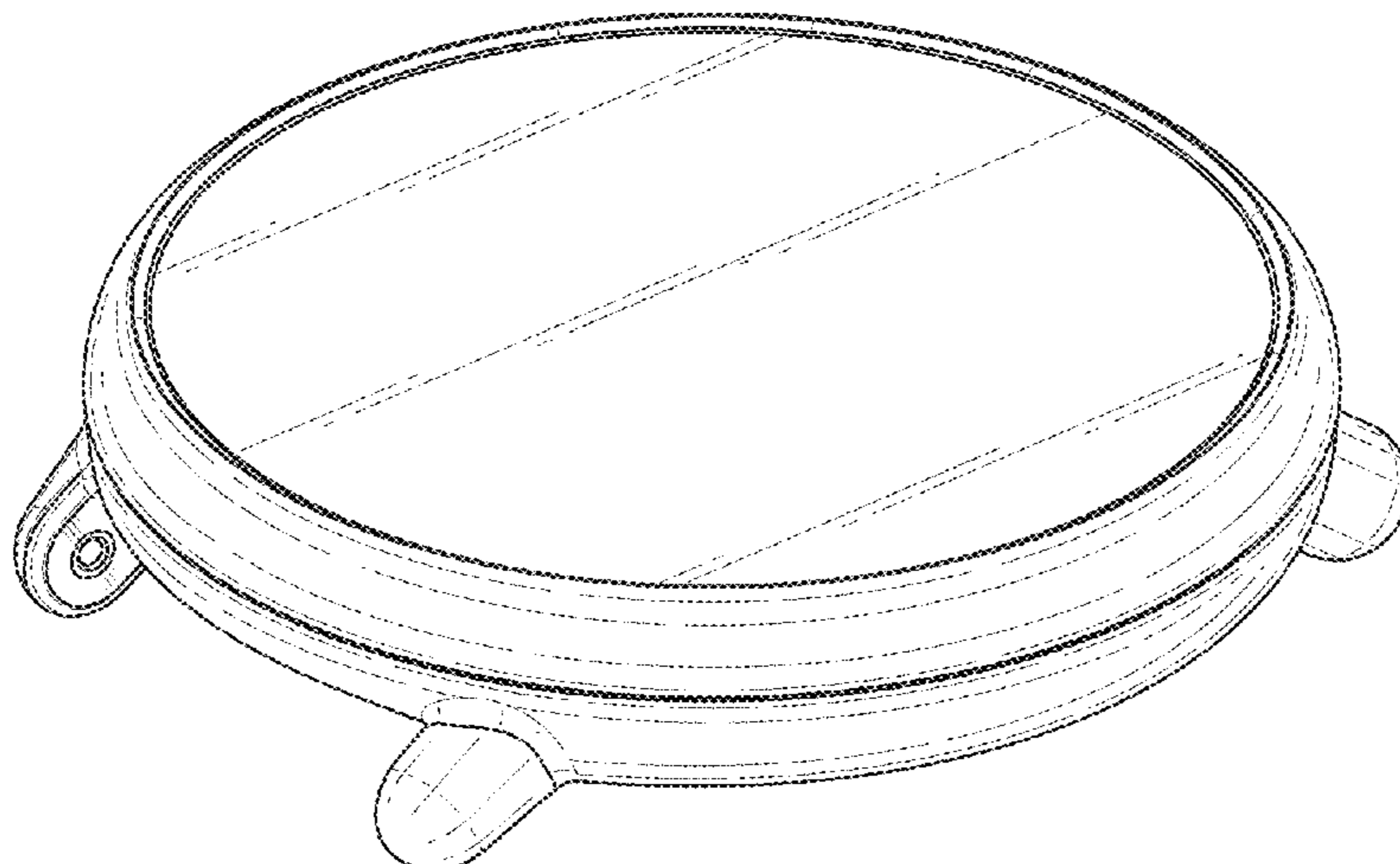
(57) **CLAIM**

The ornamental design for a wristwatch with monitor function for body state, as shown and described.

**DESCRIPTION**

FIG. 1 is a top perspective view of a wristwatch;  
FIG. 2 is a top view of the wristwatch;  
FIG. 3 is a first end view of the wristwatch;  
FIG. 4 is a first side view of the wristwatch;  
FIG. 5 is a second end view of the wristwatch;  
FIG. 6 is a second side view of the wristwatch; and,  
FIG. 7 is a bottom view of the wristwatch.

**1 Claim, 7 Drawing Sheets**



(56)

**References Cited**

U.S. PATENT DOCUMENTS

D858,313 S \* 9/2019 Berneron ..... D10/30  
D865,543 S \* 11/2019 Lumme ..... D10/70  
D874,955 S \* 2/2020 Komulainen ..... D10/70  
D875,555 S \* 2/2020 Komulainen ..... D10/32  
D876,966 S \* 3/2020 Shi ..... D10/30  
D889,458 S \* 7/2020 Zheng ..... D14/344  
D893,474 S \* 8/2020 Chung ..... D14/344  
2018/0271231 A1\* 9/2018 Zeng ..... G04B 37/0008

\* cited by examiner

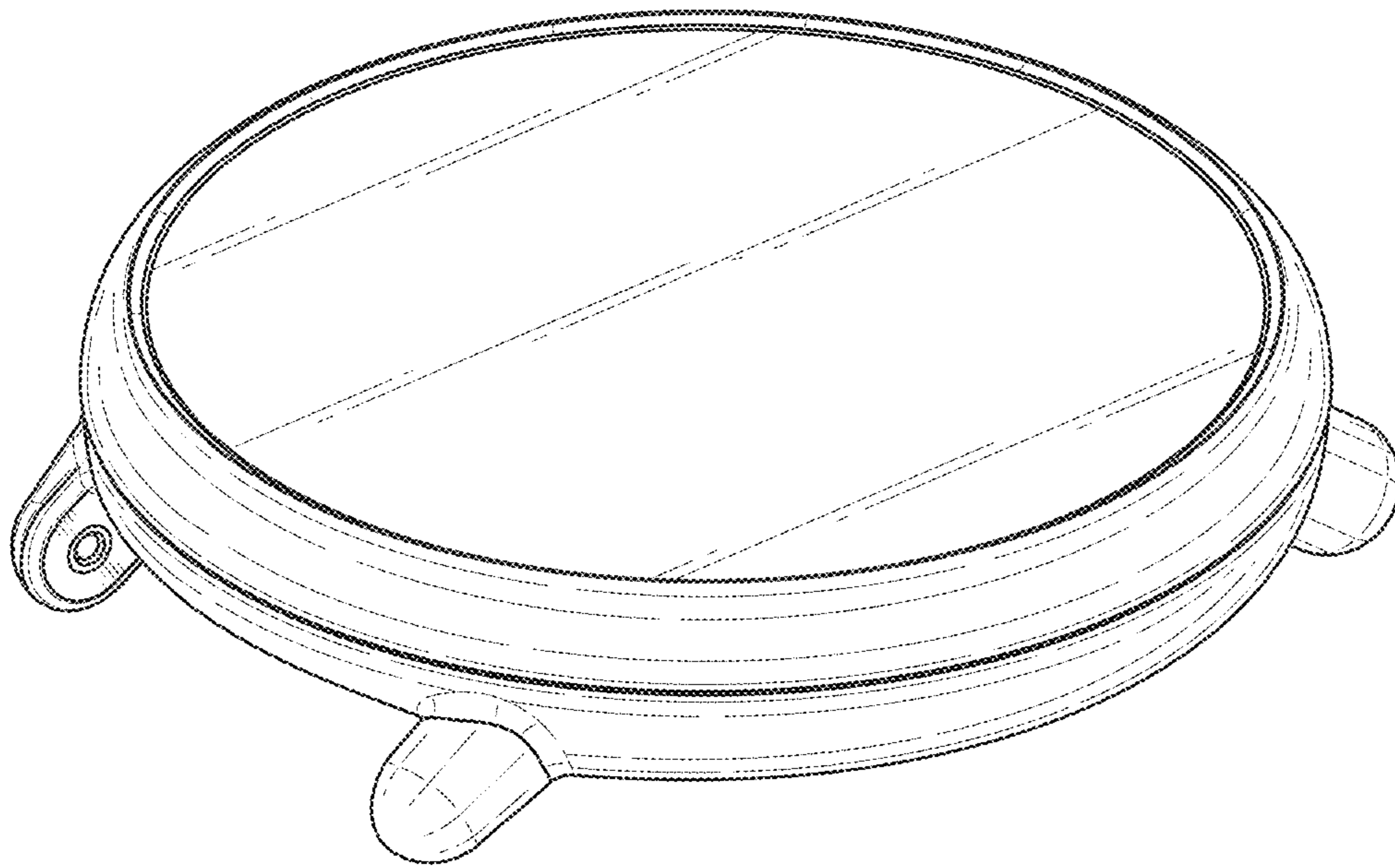


Figure 1

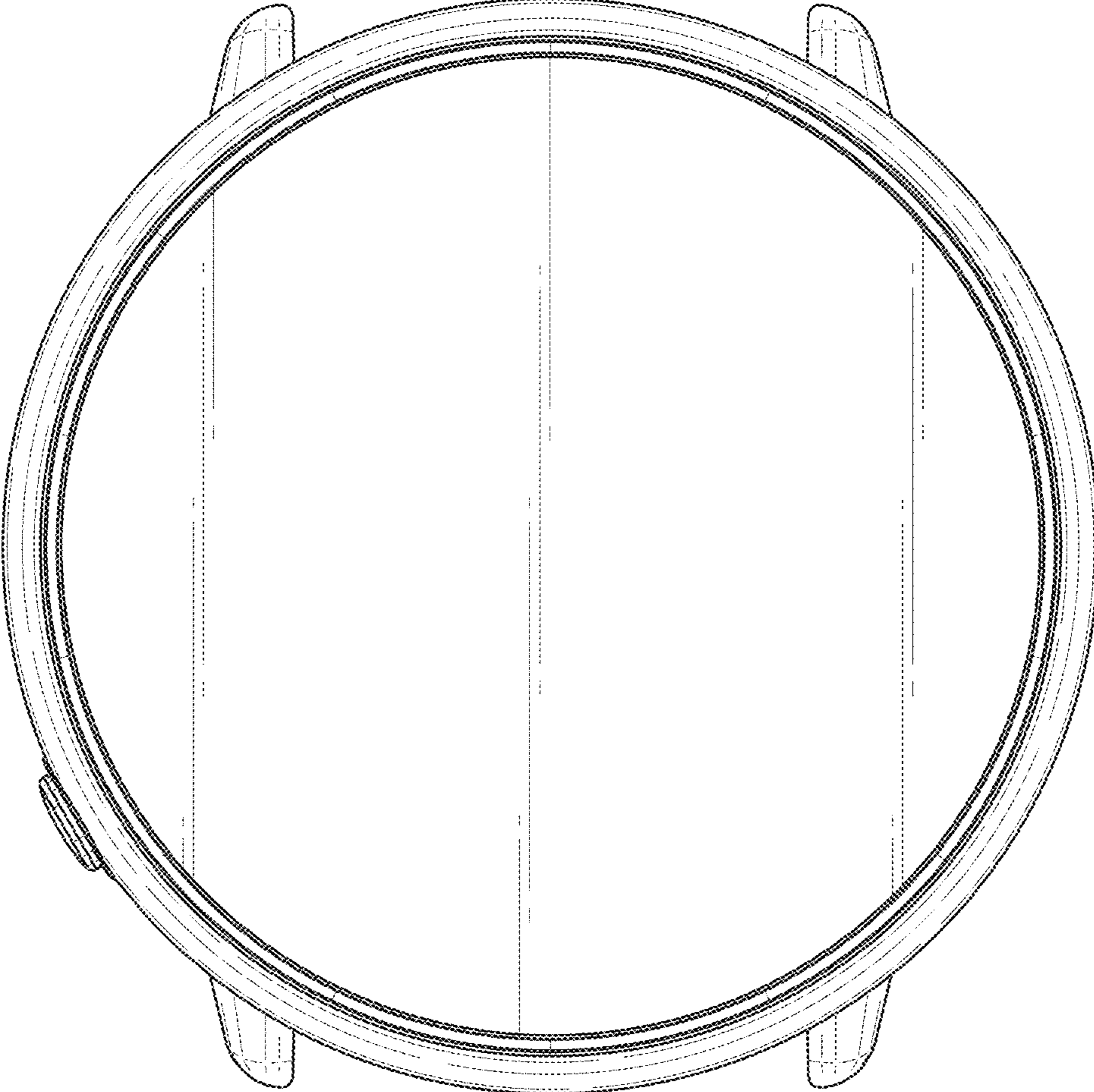


Figure 2



Figure 3



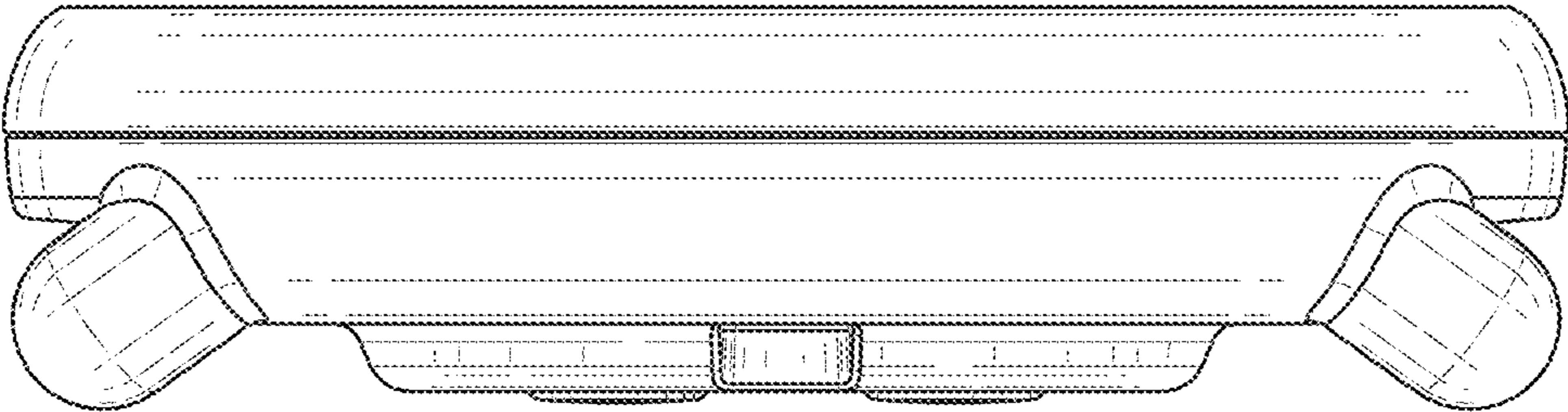


Figure 4



Figure 5

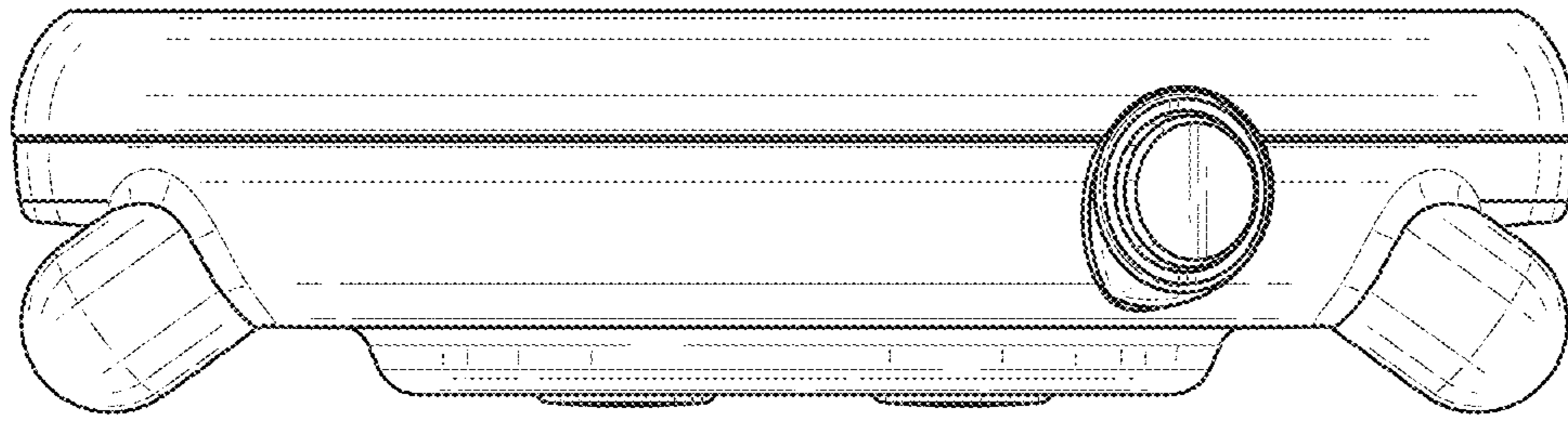


Figure 6



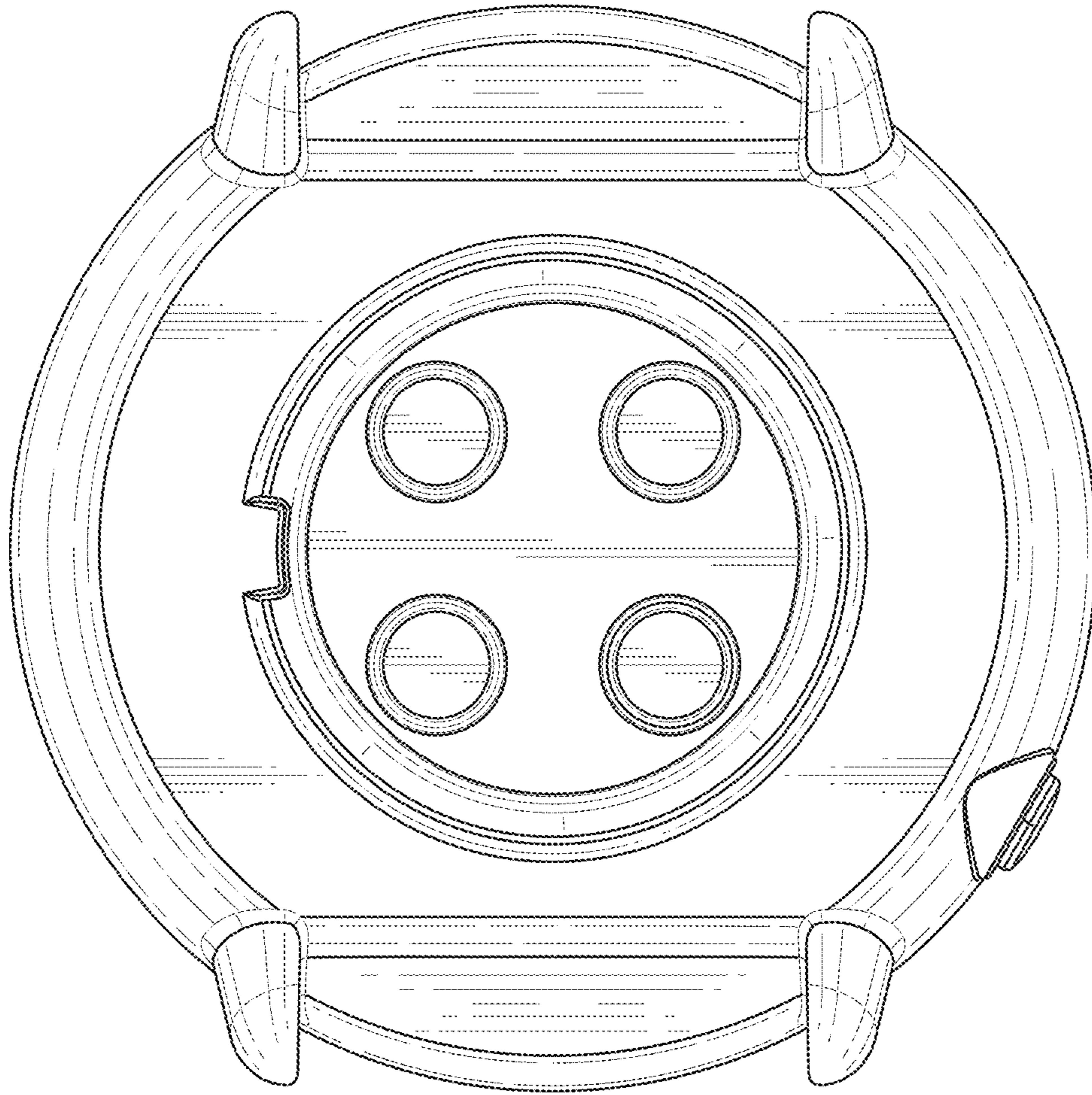


Figure 7