



US00D916600S

(12) **United States Design Patent** (10) **Patent No.:** **US D916,600 S**  
**Dominion et al.** (45) **Date of Patent:** **\*\* Apr. 20, 2021**

(54) **CONTAINER** 220/23.2, 23.83, 23.4, 662, 700, 701, 703,  
220/711, 713-715, 719; 426/106;  
(71) Applicant: **D6 Inc.**, Portland, OR (US) 229/107, 406, 120, 125.17; 215/211, 200,  
215/224, 243  
(72) Inventors: **Ed Dominion**, Portland, OR (US); CPC ..... B65D 1/36; B65D 2543/00194; B65D  
**Martin Troudt**, Portland, OR (US); 2543/00296; B65D 2543/00555; B65D  
**Ben McGregor**, Portland, OR (US) 2581/3425; B65D 25/04; B65D 43/0218;  
(Continued)

(73) Assignee: **D6 Inc.**, Portland, OR (US)

(\*\*) Term: **15 Years**

(21) Appl. No.: **29/741,597**

(22) Filed: **Jul. 14, 2020**

(56) **References Cited**

U.S. PATENT DOCUMENTS

4,026,457 A 5/1977 Schubert  
5,497,885 A 3/1996 Sussman  
(Continued)

OTHER PUBLICATIONS

Notice of Allowance dated Apr. 15, 2020 for U.S. Appl. No. 29/605,992.

*Primary Examiner* — W. A. Teddy Falloway

(74) *Attorney, Agent, or Firm* — Stoel Rives LLP

(57) **CLAIM**

The ornamental design for a container, as shown and described.

**DESCRIPTION**

FIG. 1 is a front, top isometric view of a container according to our new design.

FIG. 2 is a front elevational view of the container of FIG. 1.

FIG. 3 is a rear elevational view of the container of FIG. 1.

FIG. 4 is a right elevational view of the container of FIG. 1.

FIG. 5 is a left elevational view of the container of FIG. 1.

FIG. 6 is a top plan view of the container of FIG. 1.

FIG. 7 is a bottom plan view of the container of FIG. 1; and,

FIG. 8 is a bottom isometric view of the container of FIG. 1.

**1 Claim, 6 Drawing Sheets**

**Related U.S. Application Data**

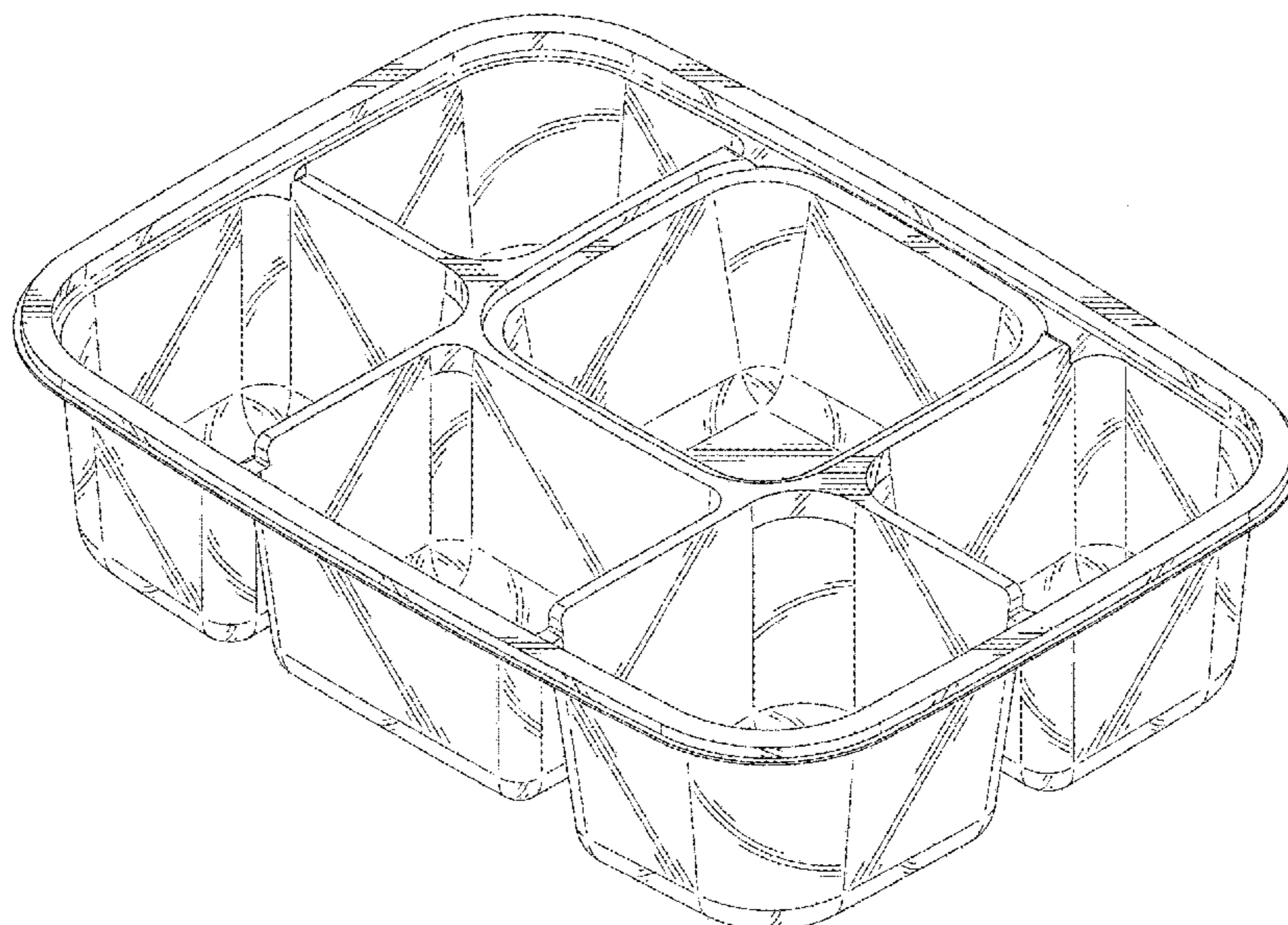
(63) Continuation of application No. 29/605,992, filed on May 31, 2017, now Pat. No. Des. 893,315.

(51) **LOC (13) Cl.** ..... **09-03**

(52) **U.S. Cl.**  
USPC ..... **D9/737; D7/553.3**

(58) **Field of Classification Search**

USPC ..... D9/341, 347, 414-432, 440, 444, 447, D9/449, 450-454, 503, 504, 737, 759, D9/761; D7/672, 601, 550.1, 551.1, D7/551.2, 551.3, 552.1, 552.2, 553.1, D7/553.2, 553.3, 553.4, 553.5, 553.7, D7/553.8, 554.1, 554.3, 555, 557, 602, D7/629, 630, 538-549, 612-615, 584, D7/586, 587, 392.1, 709, 502, 608, 622, D7/701, 703, 317-319, 391, 392, 396.2, D7/510, 511; D3/273, 201-206, 276, D3/283, 284, 295, 274, 302; D11/143; 249/126, 134; 206/216, 217, 541-550, 206/518, 557, 558, 561, 564, 223, 467; 220/669-673, 675, 574-575, 573.1, 4.21, 220/660, 326, 236, 780-806, 4.24, 288, 220/260, 266, 306, 352, 356, 523, 23.8,



(58) **Field of Classification Search**

CPC ..... B65D 2543/00083; B65D 2543/00268;  
 B65D 2543/00277; B65D 2543/00351;  
 B65D 81/3453; B65D 43/16; B65D  
 51/28; B65D 43/162; B65D 1/24; B65D  
 21/0237; B65D 2543/00101; A47G 19/02;  
 A47G 19/065; A47G 23/0608; A47G  
 23/06

See application file for complete search history.

7,874,449 B1 1/2011 Studee  
 D647,807 S 11/2011 Golota et al.  
 D648,635 S 11/2011 Golota  
 D648,636 S 11/2011 Golota  
 D653,963 S 2/2012 Golota  
 D695,077 S 12/2013 Chase  
 D729,588 S 5/2015 Breton  
 D731,248 S 6/2015 Breton  
 D734,098 S 7/2015 Breton  
 D735,028 S 7/2015 Baillies  
 D737,633 S 9/2015 Breton  
 D798,167 S 9/2017 Bennett  
 D805,400 S 12/2017 Shoshan

(56) **References Cited**

U.S. PATENT DOCUMENTS

D395,003 S 6/1998 Daniels  
 D440,118 S 4/2001 Claffy  
 D463,977 S 10/2002 Castellanos  
 D492,593 S 7/2004 Dutton  
 D504,326 S 4/2005 Vovan  
 D508,634 S 8/2005 Chambers  
 7,017,774 B2 3/2006 Haedt  
 D555,475 S 11/2007 Enriquez  
 D572,148 S 7/2008 Mangino et al.

D884,482 S \* 5/2020 Dominion ..... D9/737  
 D884,483 S \* 5/2020 Dominion ..... D9/737  
 D884,484 S \* 5/2020 Dominion ..... D9/737  
 D885,201 S \* 5/2020 Dominion ..... D9/737  
 D893,315 S \* 8/2020 Dominion ..... D9/737  
 D894,018 S \* 8/2020 Dominion ..... D9/737  
 D897,865 S \* 10/2020 Dominion ..... D9/737  
 2010/0181318 A1 7/2010 Bava  
 2011/0240653 A1 10/2011 Castner  
 2013/0081361 A1 4/2013 Miros

\* cited by examiner

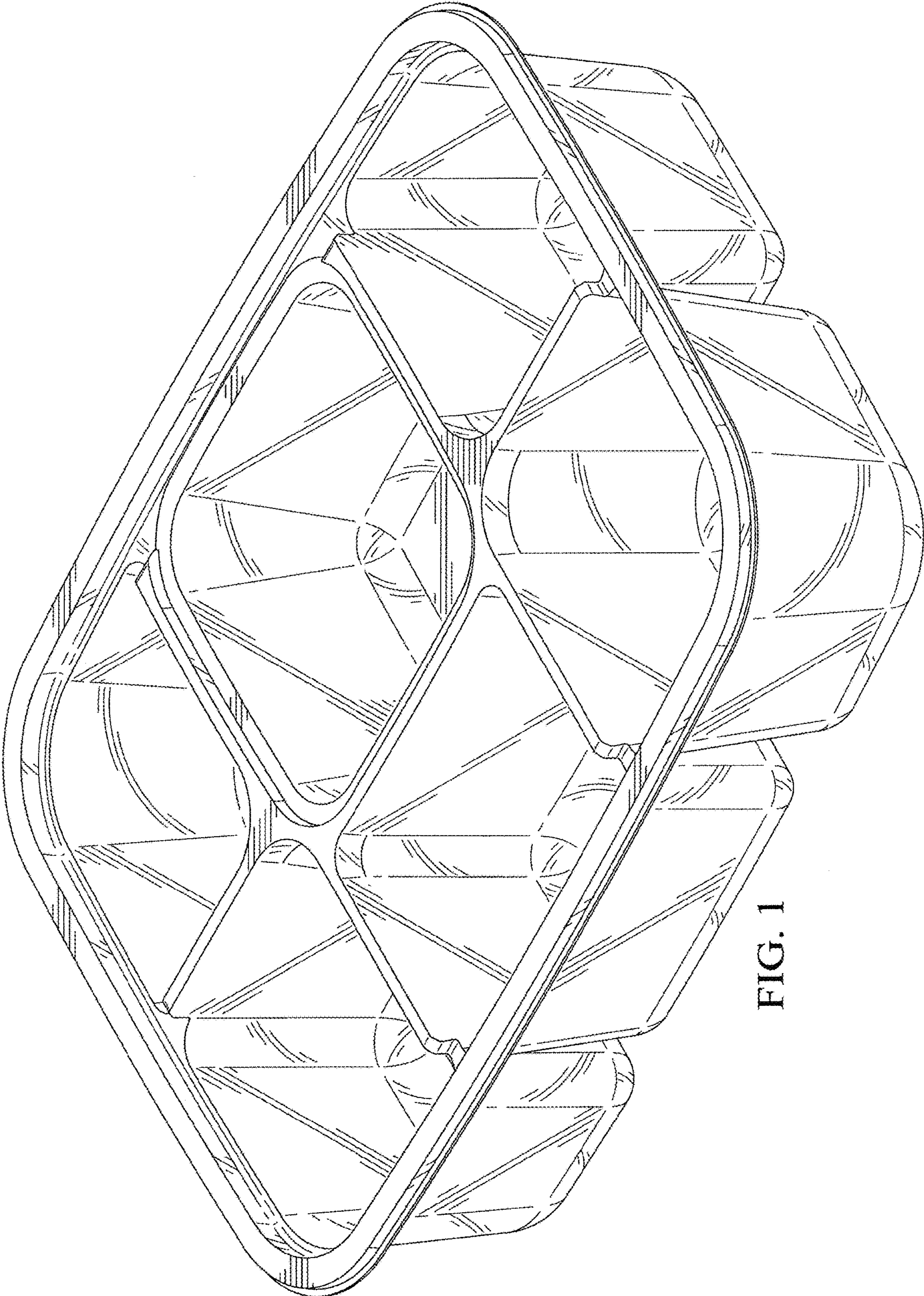


FIG. 1

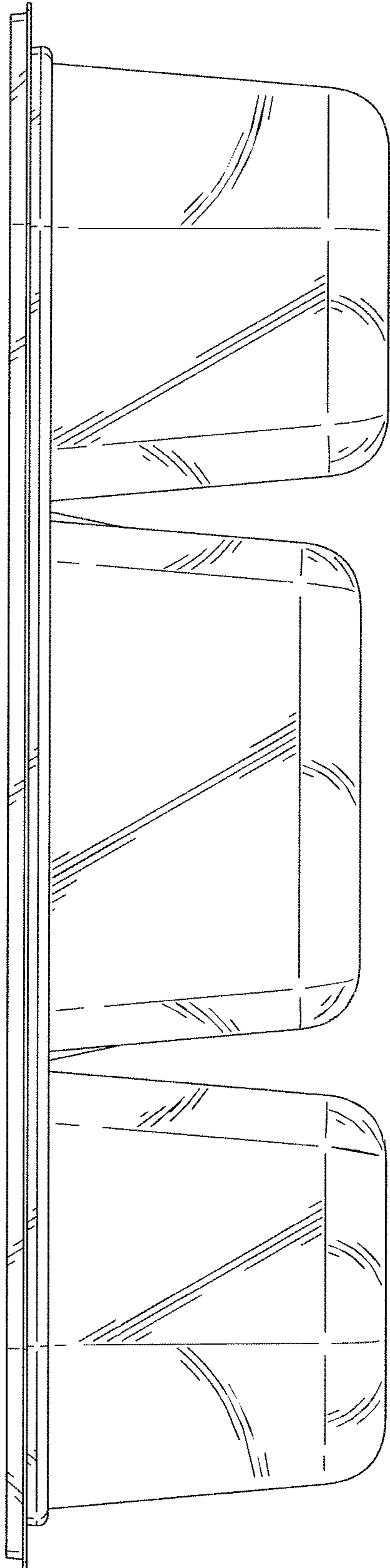


FIG. 2

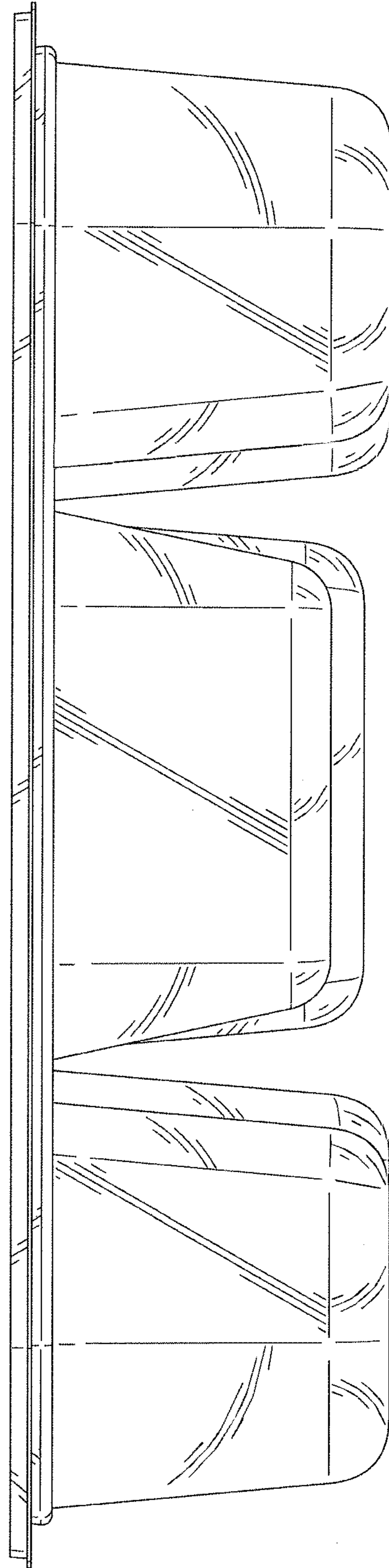


FIG. 3

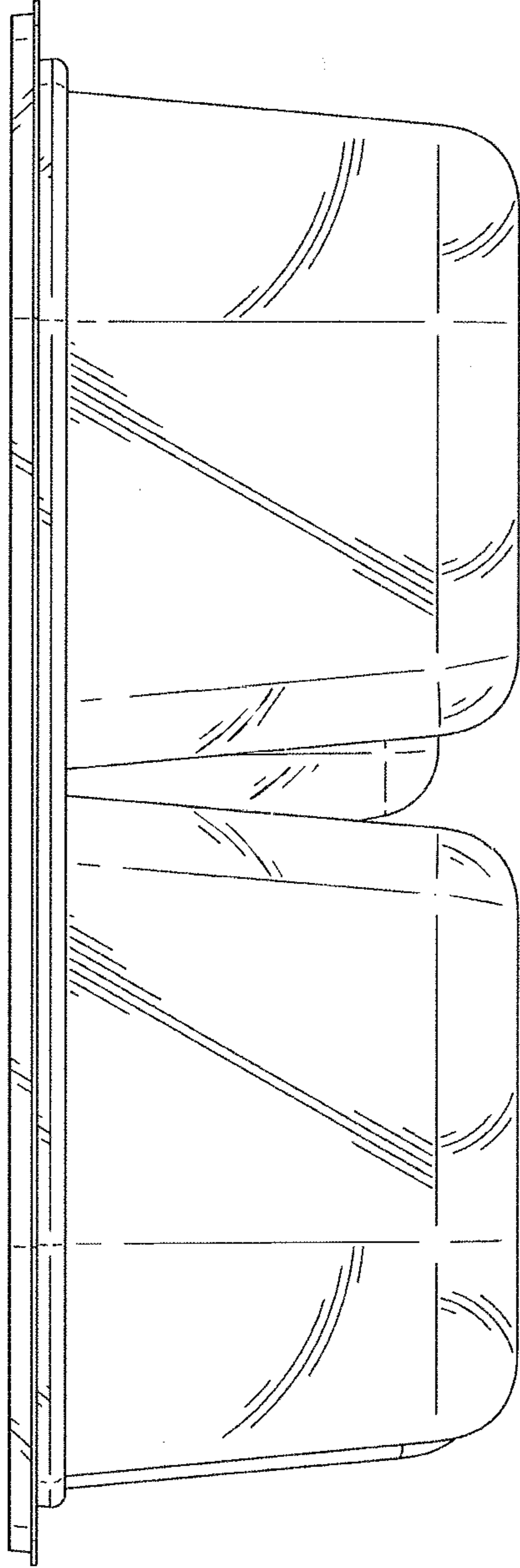


FIG. 4

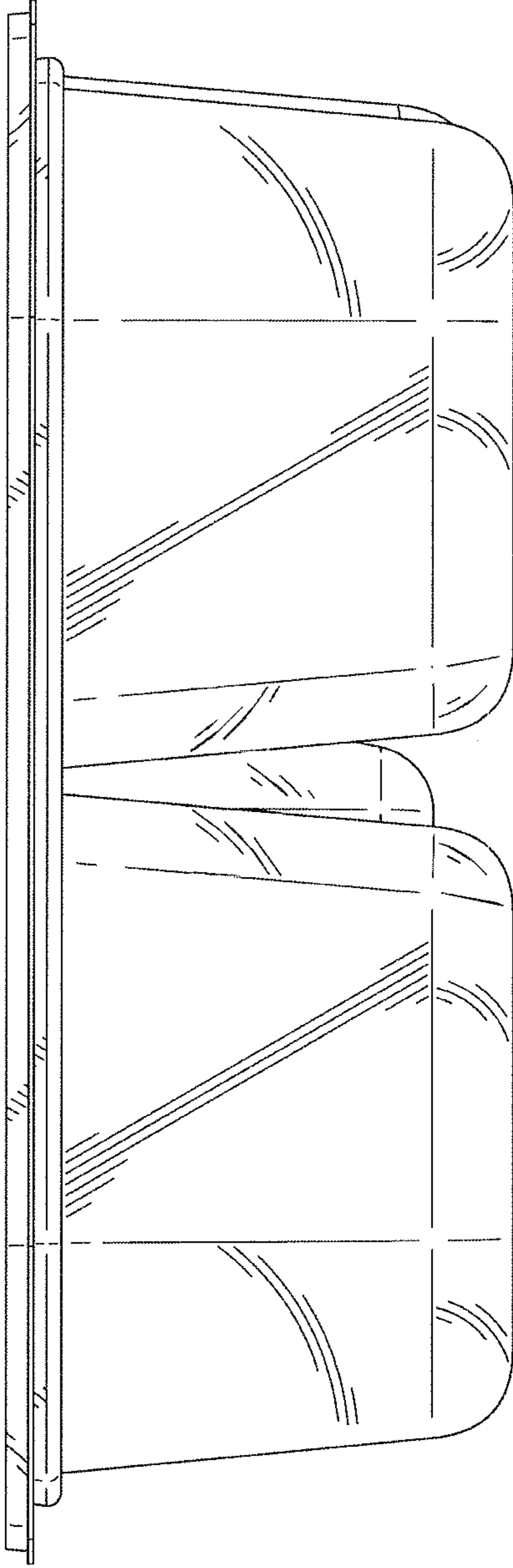


FIG. 5

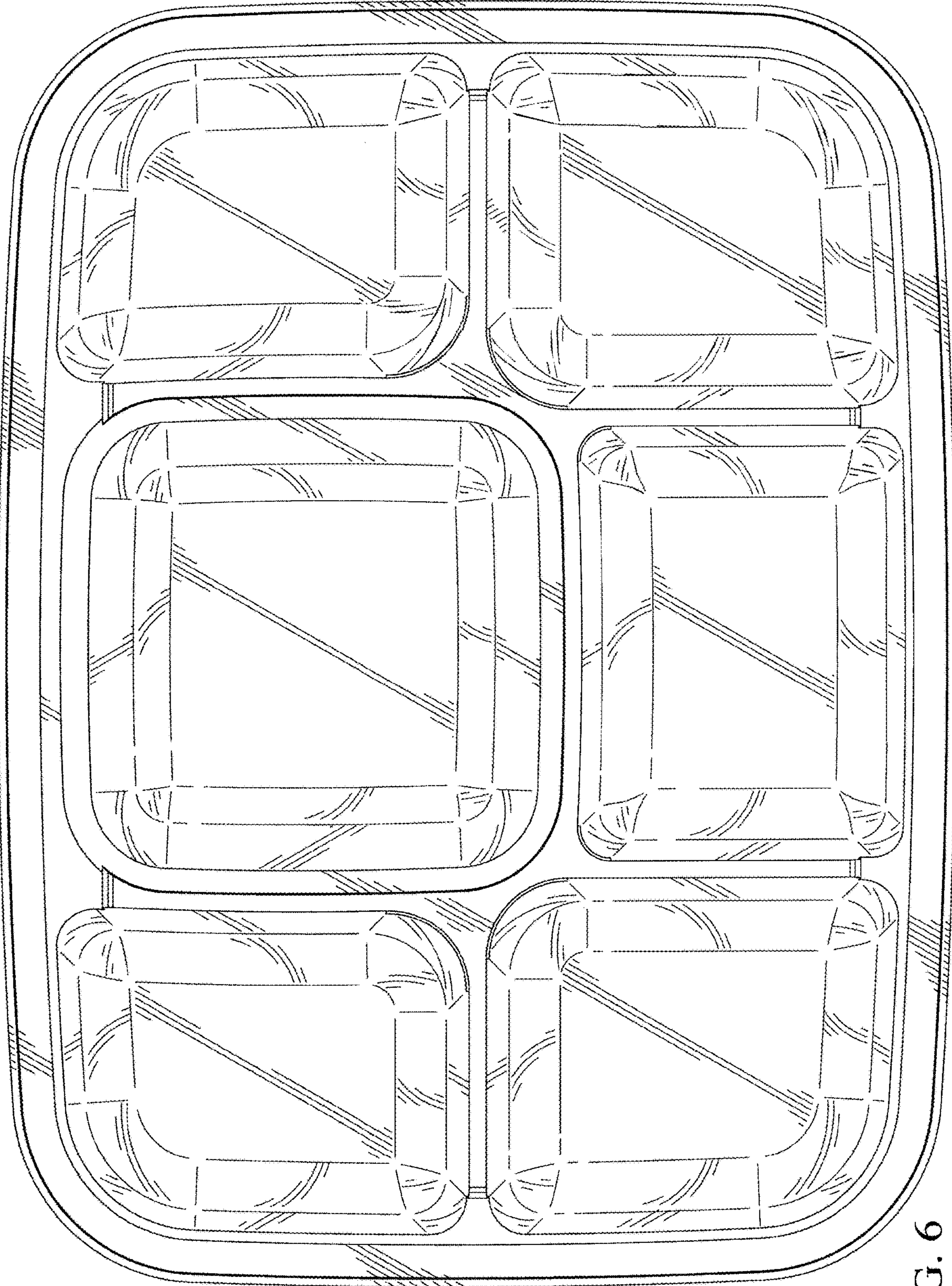


FIG. 6

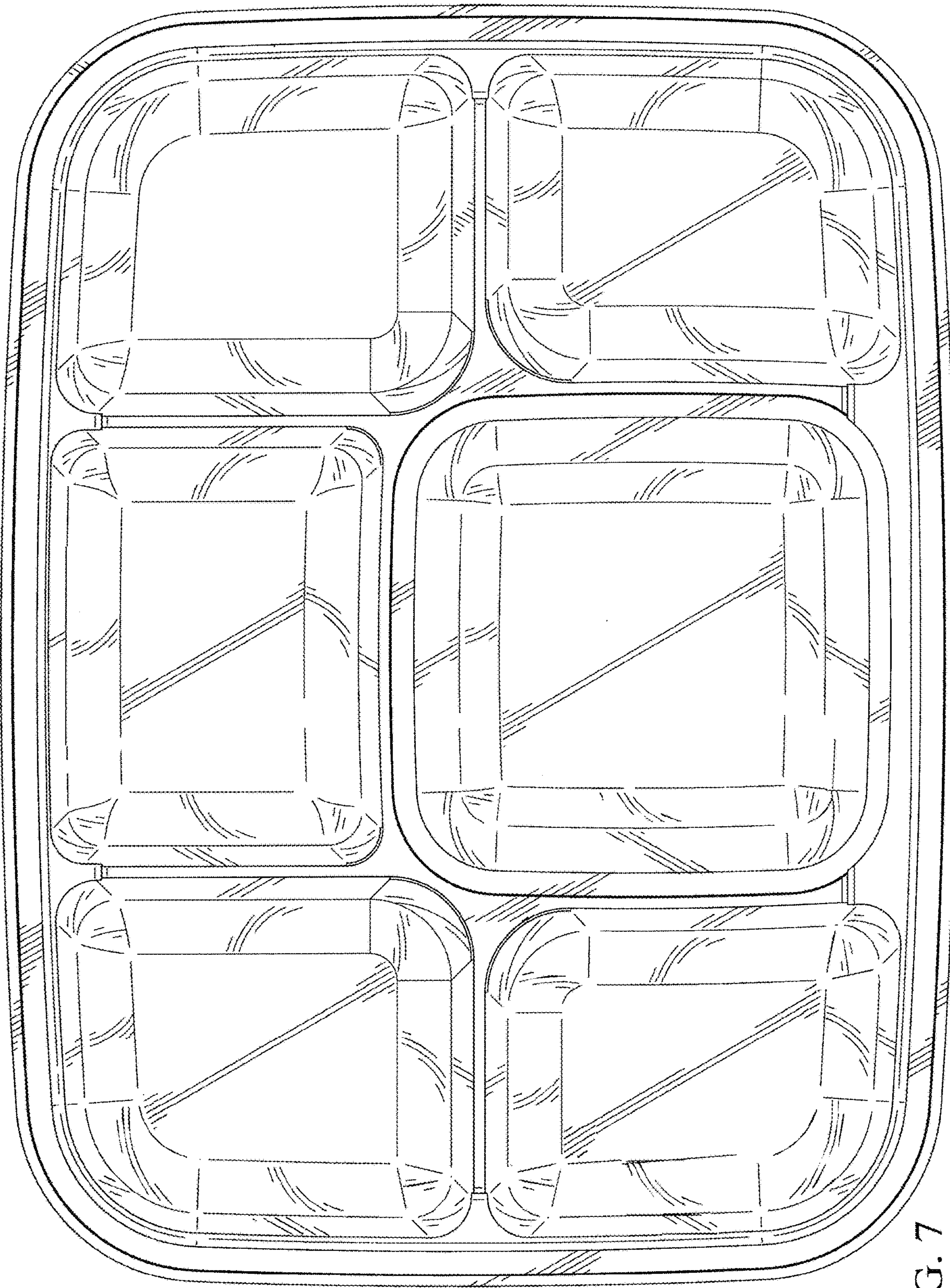


FIG. 7

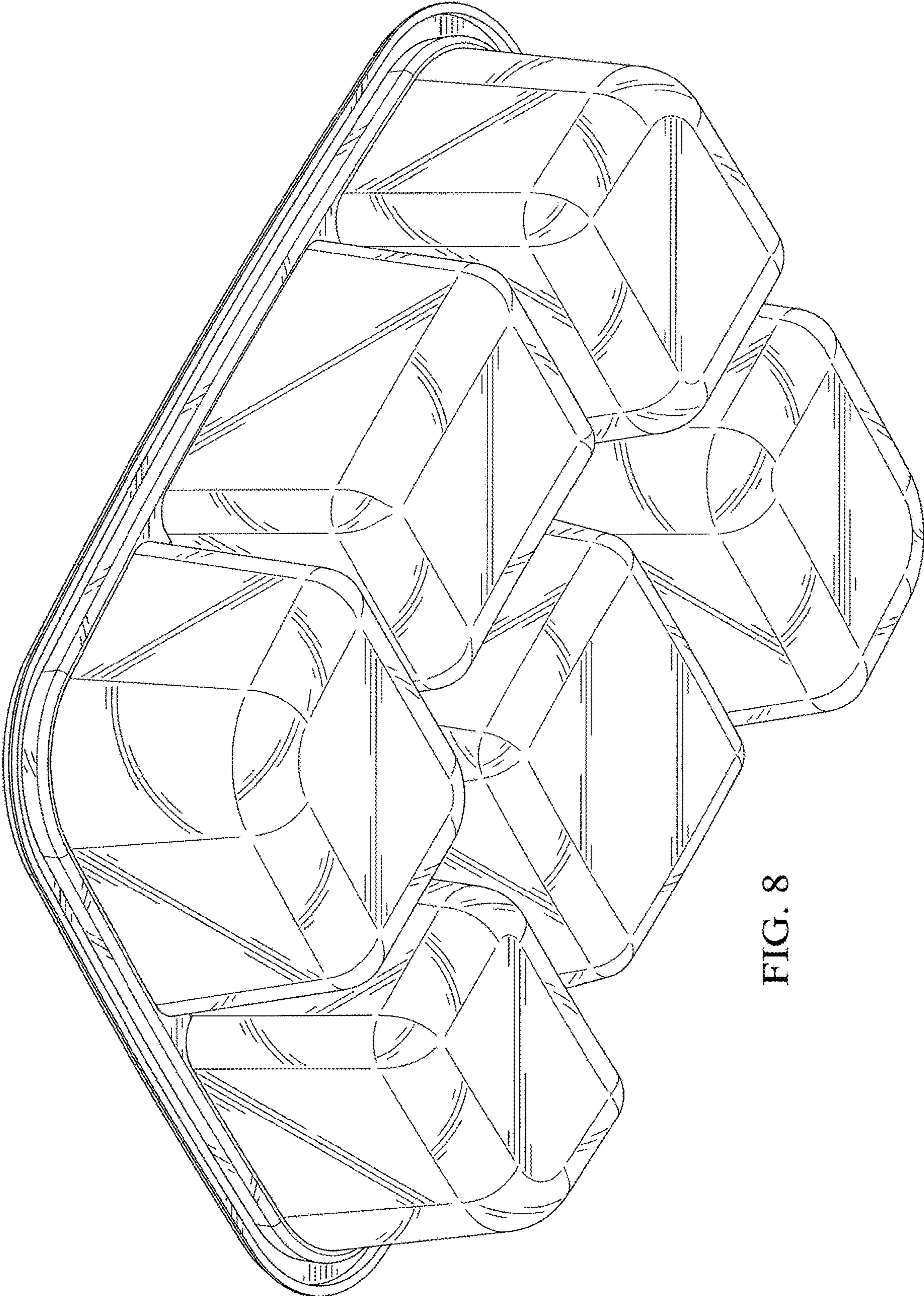


FIG. 8