



US00D916595S

(12) **United States Design Patent** (10) **Patent No.:** **US D916,595 S**  
**Xu** (45) **Date of Patent:** **\*\* Apr. 20, 2021**

(54) **NAIL POLISH BOTTLE**

(71) Applicant: **GUANGZHOU YIDINGCHENG BIOLOGICAL TECHNOLOGY CO., LTD**, Guangzhou (CN)

(72) Inventor: **Xingfu Xu**, Zixing (CN)

(73) Assignee: **GUANGZHOU YIDINGCHENG BIOLOGICAL TECHNOLOGY CO., LTD**, Guangzhou (CN)

(\*\*) Term: **15 Years**

(21) Appl. No.: **29/743,629**

(22) Filed: **Jul. 23, 2020**

(51) **LOC (13) Cl.** ..... **09-01**

(52) **U.S. Cl.**  
USPC ..... **D9/529**

(58) **Field of Classification Search**  
USPC ..... D9/522, 529, 549, 558, 572, 573, 724  
CPC ..... B65D 1/02; B65D 1/0223; B65D 1/023;  
B65D 1/0261; B65D 2501/0009; B65D  
2501/0081; B65D 2501/009  
See application file for complete search history.

(56) **References Cited**

**U.S. PATENT DOCUMENTS**

D406,921 S \* 3/1999 Roeder ..... 401/129  
D415,859 S \* 10/1999 Gobe ..... D28/7

D591,909 S \* 5/2009 Damkjaer ..... D28/76  
D596,231 S \* 7/2009 Hung ..... D19/121  
D638,710 S \* 5/2011 Yeung ..... D9/504  
D743,488 S \* 11/2015 Jun ..... D19/190  
D758,737 S 6/2016 Tan  
D825,341 S \* 8/2018 Staab ..... D9/529  
D842,115 S \* 3/2019 Staab ..... D9/529  
D845,773 S 4/2019 Huang

\* cited by examiner

*Primary Examiner* — Janice Patyk

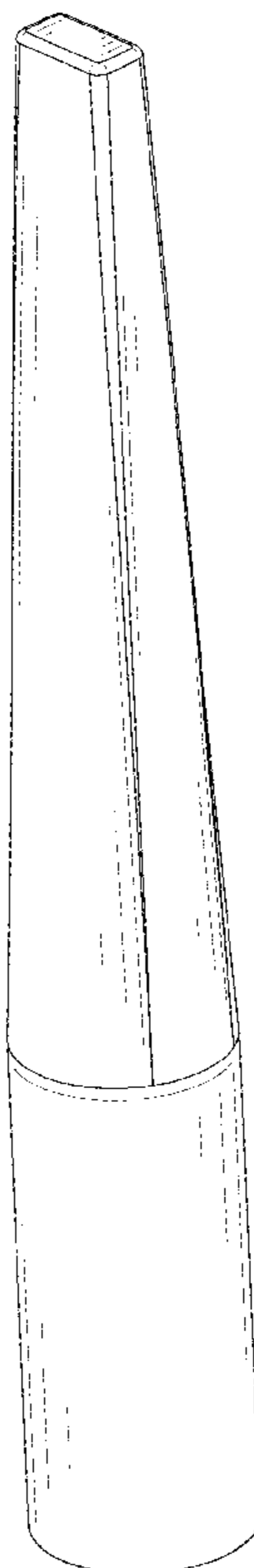
(57) **CLAIM**

The ornamental design for a nail polish bottle, as shown and described.

**DESCRIPTION**

FIG. 1 is a perspective view of a nail polish bottle showing my new design;  
FIG. 2 is another perspective view thereof;  
FIG. 3 is a front elevational view thereof;  
FIG. 4 is a rear elevational view thereof;  
FIG. 5 is a left side elevational view thereof;  
FIG. 6 is a right side elevational view thereof;  
FIG. 7 is a top plan view thereof;  
FIG. 8 is a bottom plan view thereof; and,  
FIG. 9 is an exploded perspective view thereof.  
The broken lines in the drawings depict portions of the nail polish bottle that form no part of the claimed design.

**1 Claim, 9 Drawing Sheets**



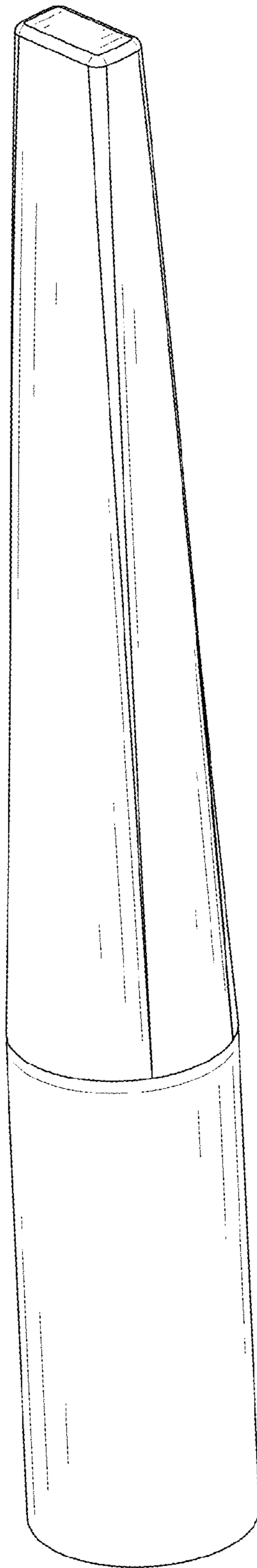


FIG. 1

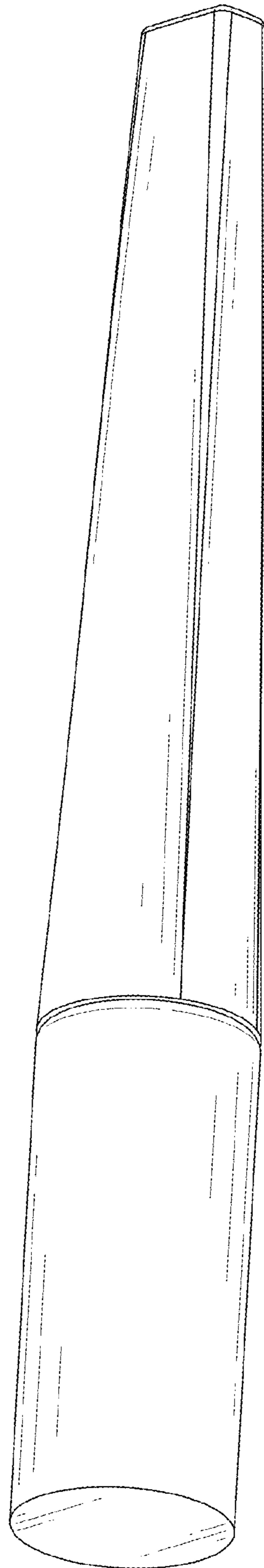


FIG. 2

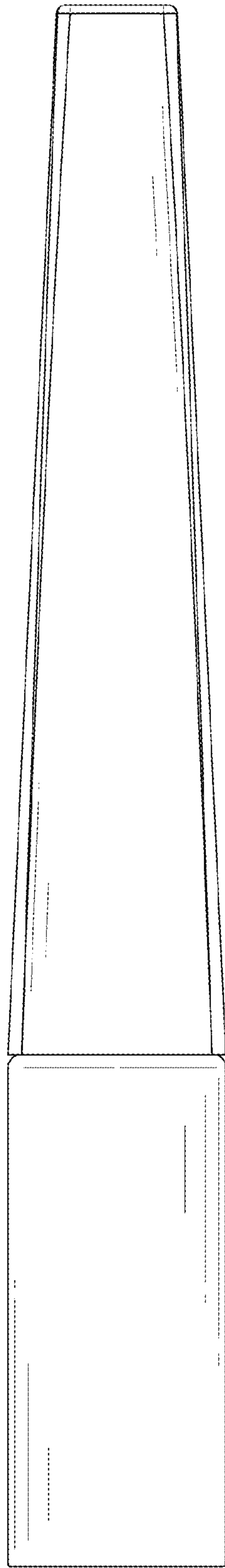


FIG. 3

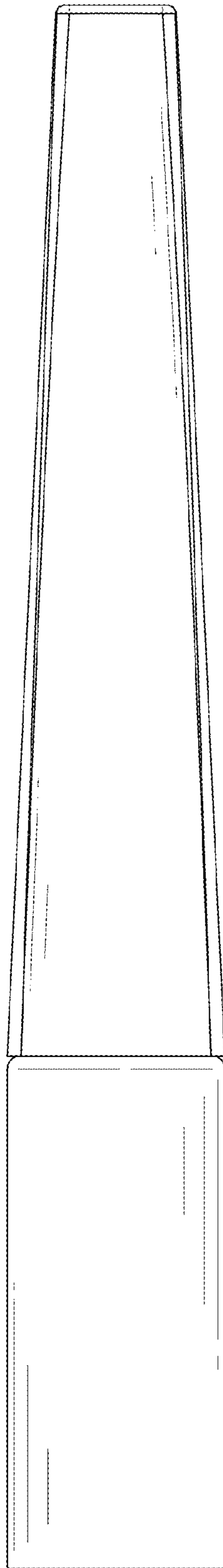


FIG. 4

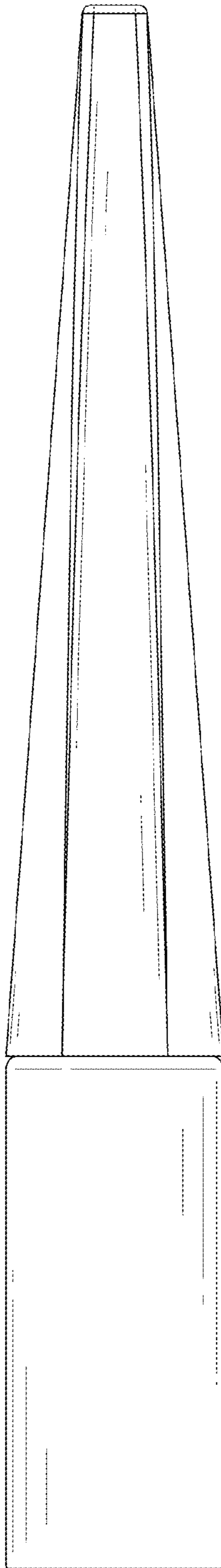


FIG. 5

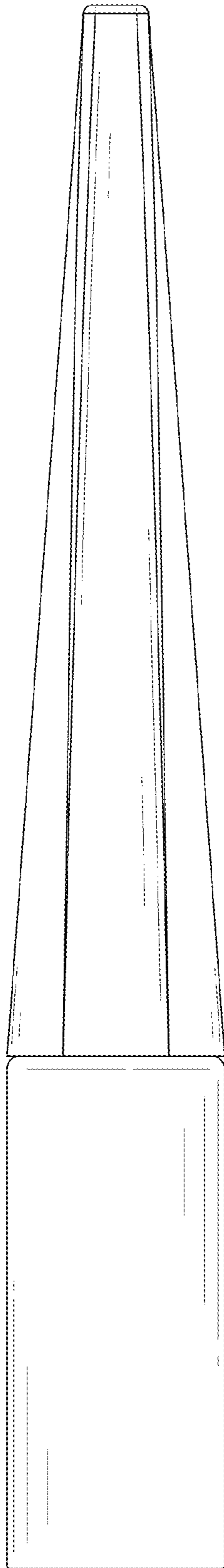


FIG. 6

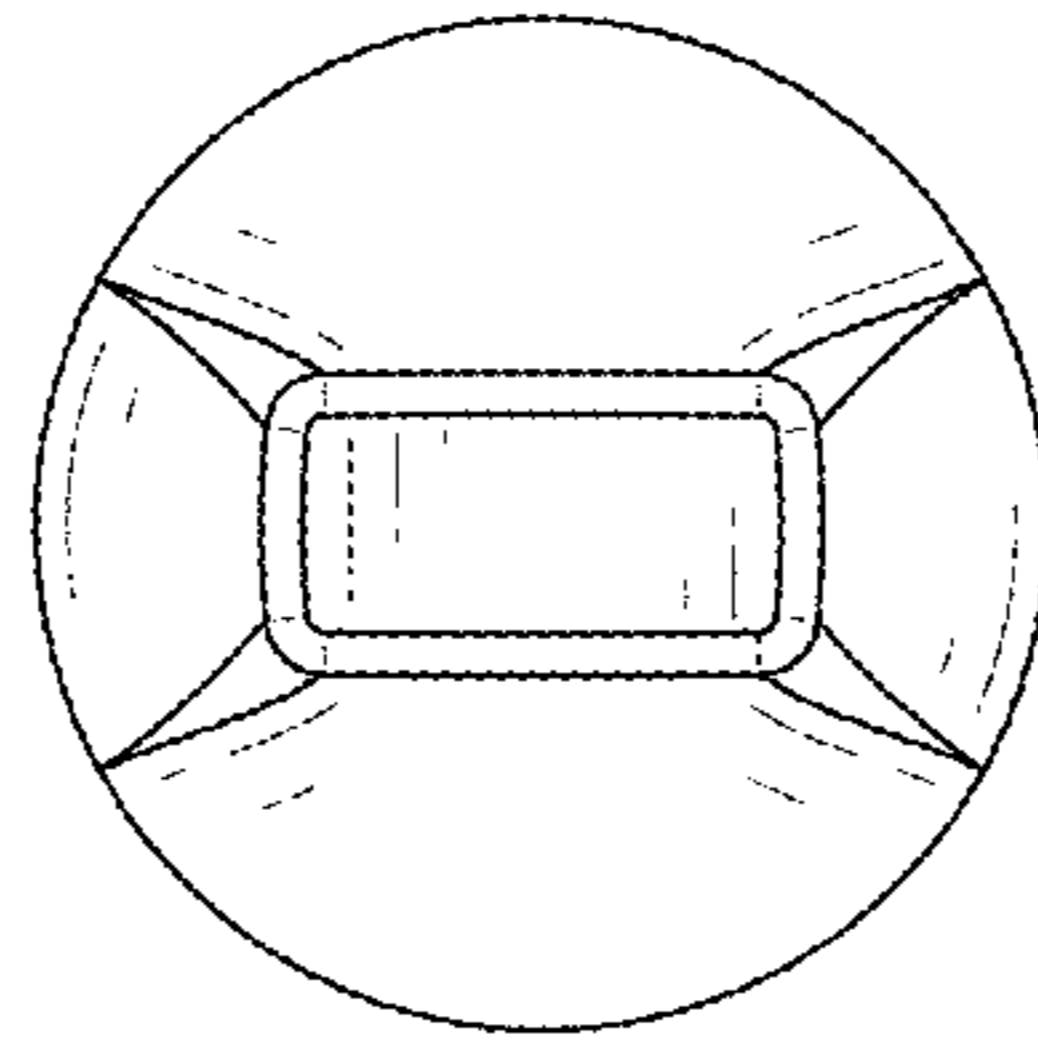


FIG. 7



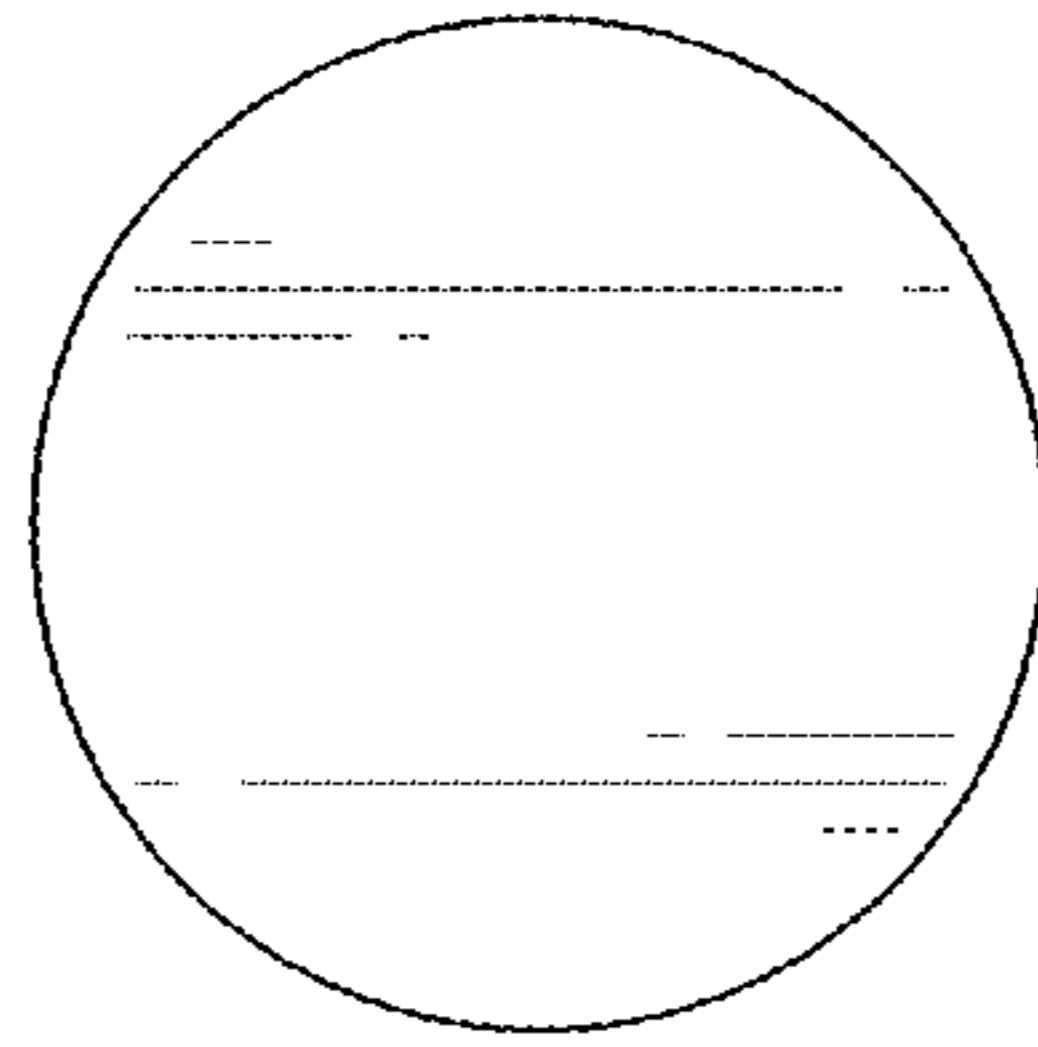


FIG. 8

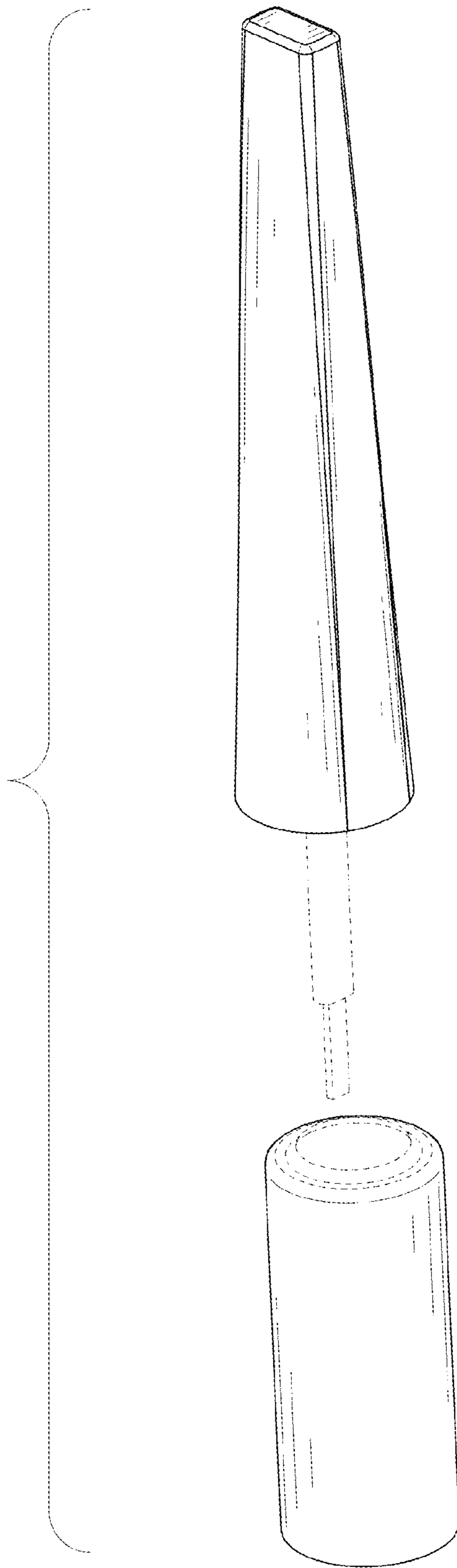


FIG. 9