



US00D916594S

(12) **United States Design Patent**  
**Kang**

(10) **Patent No.: US D916,594 S**

(45) **Date of Patent: \*\* Apr. 20, 2021**

(54) **CONTAINER**

(71) Applicant: **Shou-Yuan Kang**, Tainan (TW)

(72) Inventor: **Shou-Yuan Kang**, Tainan (TW)

(\*\*) Term: **15 Years**

(21) Appl. No.: **29/657,785**

(22) Filed: **Jul. 25, 2018**

(51) **LOC (13) Cl. .... 09-01**

(52) **U.S. Cl.**  
USPC ..... **D9/528**; D9/531; D9/560; D9/575

(58) **Field of Classification Search**  
USPC ..... D9/454, 516, 523, 528, 530, 531, 533,  
D9/572, 575, 715, 719, 745; D23/211.1  
CPC . B65D 85/00; B65D 1/12; B65D 1/18; B65D  
1/20; B65D 21/0237

See application file for complete search history.

(56) **References Cited**

**U.S. PATENT DOCUMENTS**

D369,111 S *	4/1996	Brass .....	D9/524
D373,533 S *	9/1996	Lathrop .....	D9/528
D507,183 S *	7/2005	Spellissy .....	D9/430
D538,167 S *	3/2007	Jennings .....	D9/528
D744,840 S *	12/2015	Hawry .....	D9/528
D815,535 S *	4/2018	Bischoff .....	D9/528
D821,210 S *	6/2018	Tsukada .....	D9/528
D826,719 S *	8/2018	Tatievski .....	D9/528
D832,108 S *	10/2018	Clemence .....	D9/528

D835,512 S *	12/2018	Sterling .....	D9/528
D836,445 S *	12/2018	Charlton .....	D9/528
D842,703 S *	3/2019	Lam .....	D9/528
D849,547 S *	5/2019	Howell .....	D9/528
D887,277 S *	6/2020	Allison .....	D9/528
D891,257 S *	7/2020	Sterling .....	D9/528
D891,260 S *	7/2020	Clark .....	D9/528
D895,426 S *	9/2020	Shmueli .....	D9/528

**OTHER PUBLICATIONS**

<https://www.amazon.com/Pack-Container-Resistant-Commercial-U-S/dp/B0772XPH3G> (Year: 2020).\*

\* cited by examiner

*Primary Examiner* — Brandon M Rosati

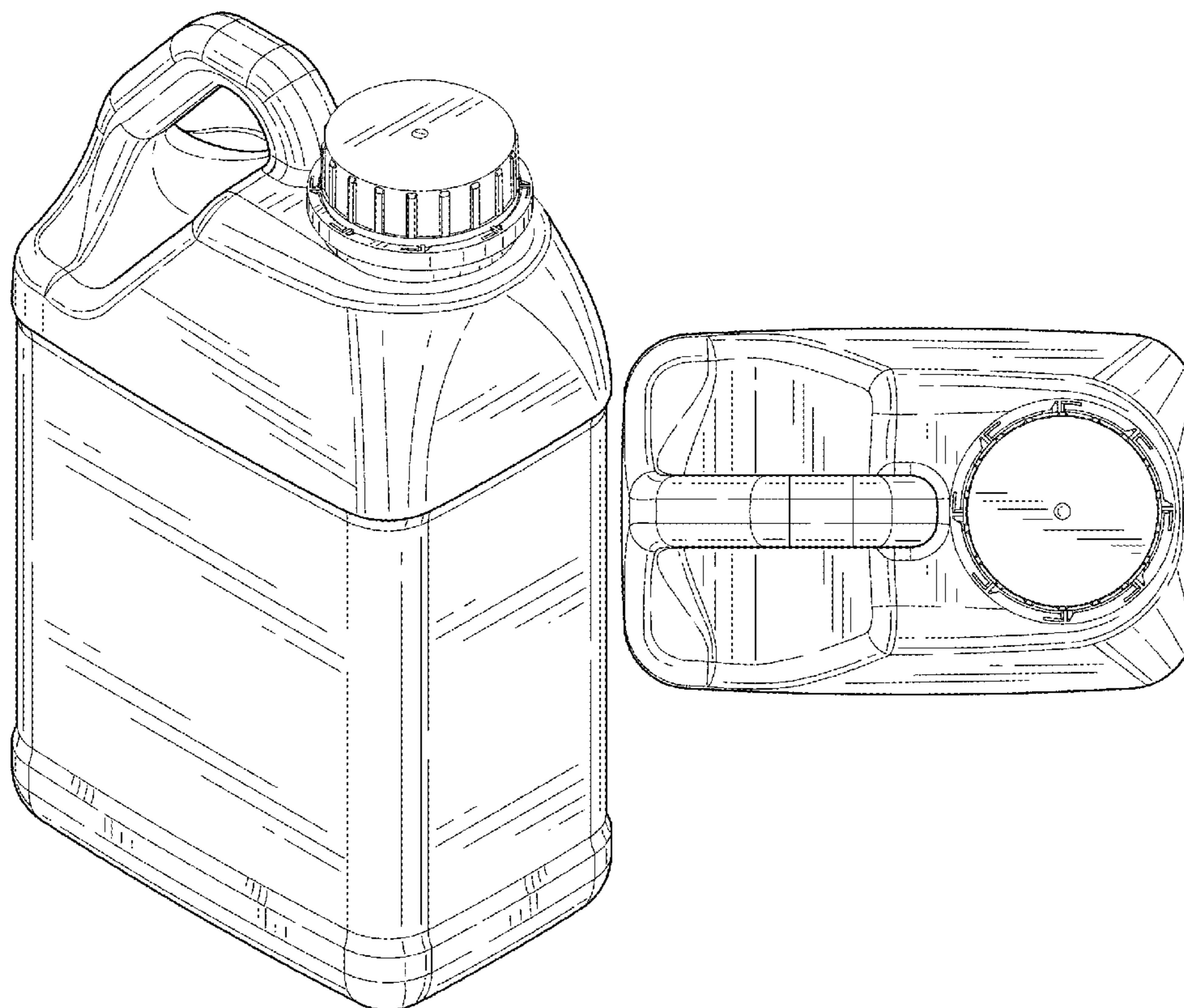
(57) **CLAIM**

The ornamental design for a container, as shown and described.

**DESCRIPTION**

FIG. 1 is a perspective view of a container showing my new design;  
FIG. 2 is a front elevational view thereof;  
FIG. 3 is a rear elevational view thereof;  
FIG. 4 is a left side elevational view thereof;  
FIG. 5 is a right side elevational view thereof;  
FIG. 6 is a top plan view thereof; and,  
FIG. 7 is a bottom plan view thereof.  
The element formed on the top surface of the cap is a curved recess.

**1 Claim, 5 Drawing Sheets**



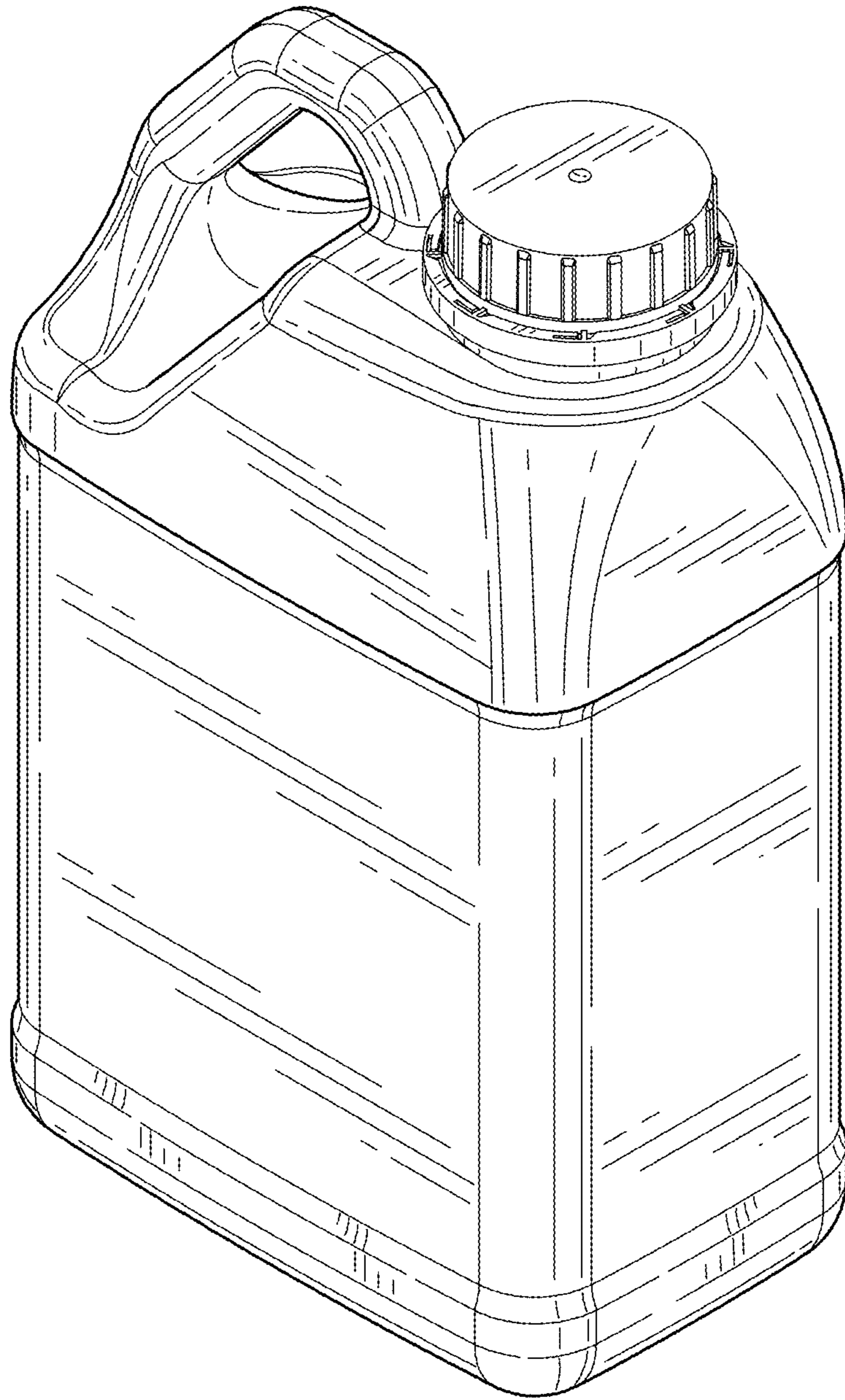


FIG.1

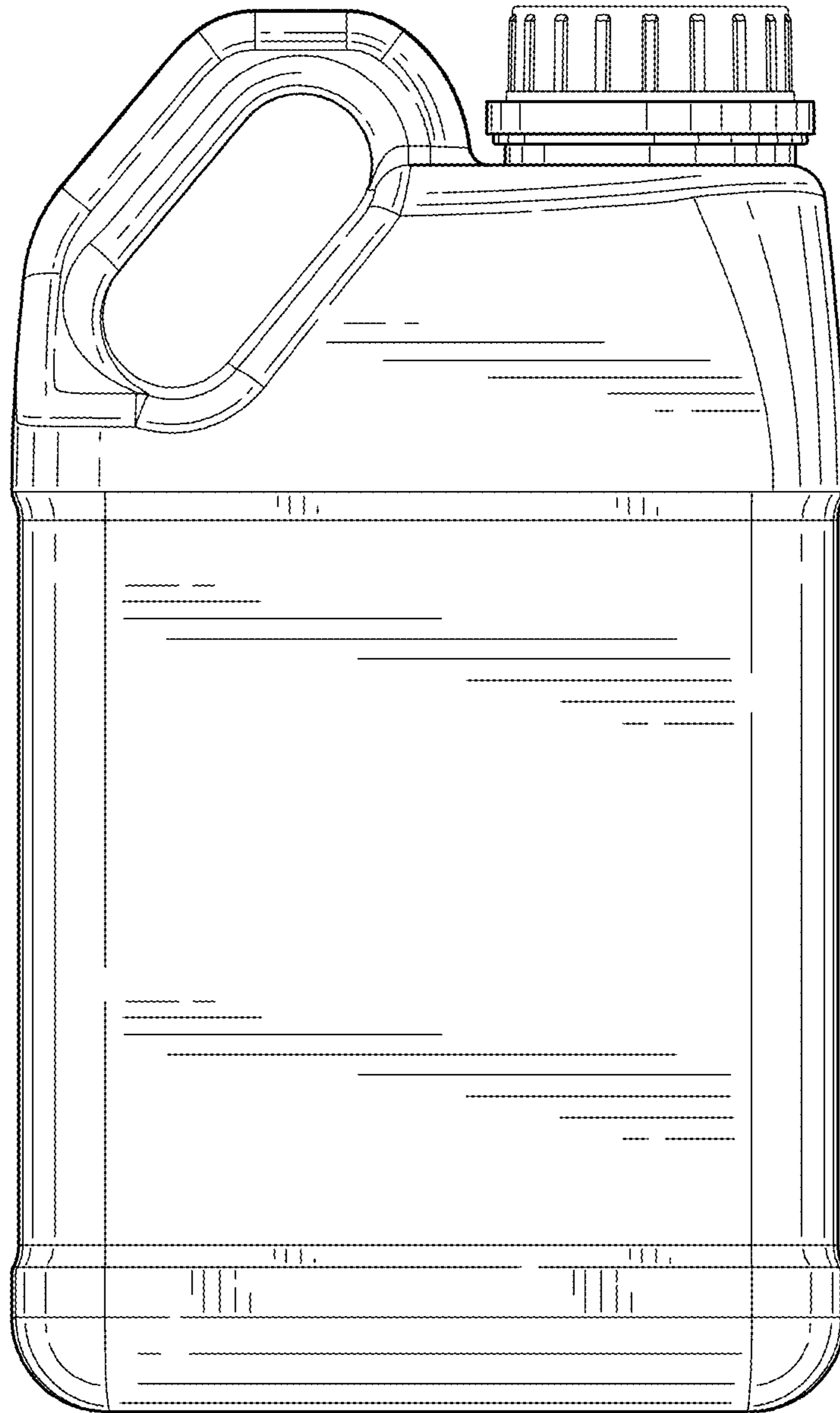


FIG.2

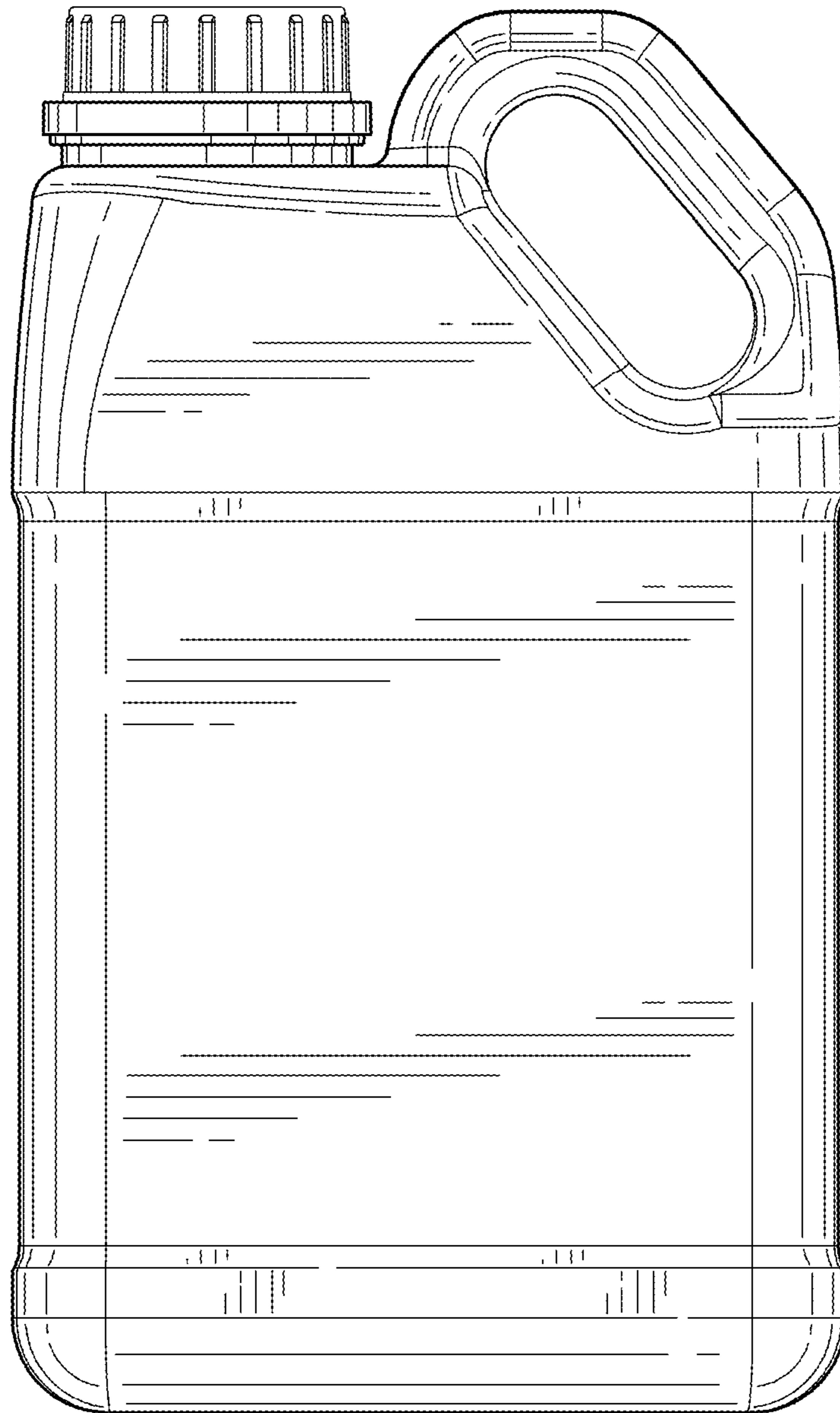


FIG.3

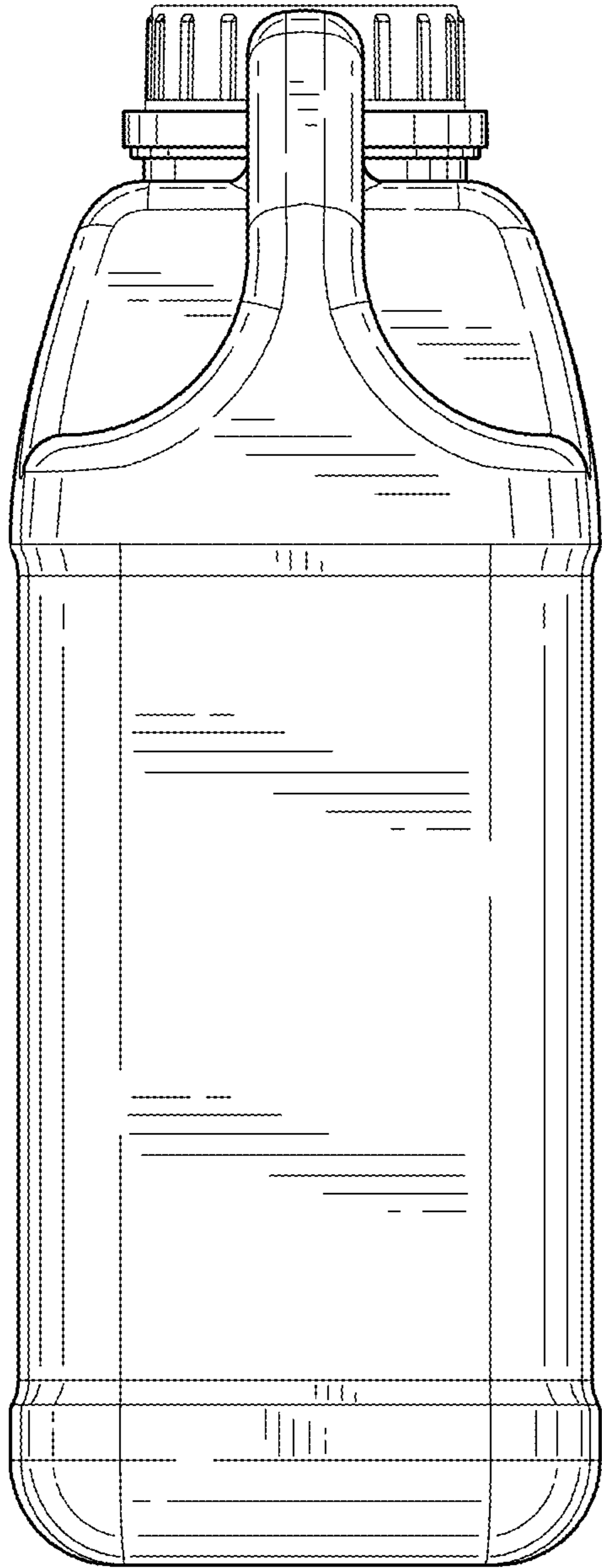


FIG. 4

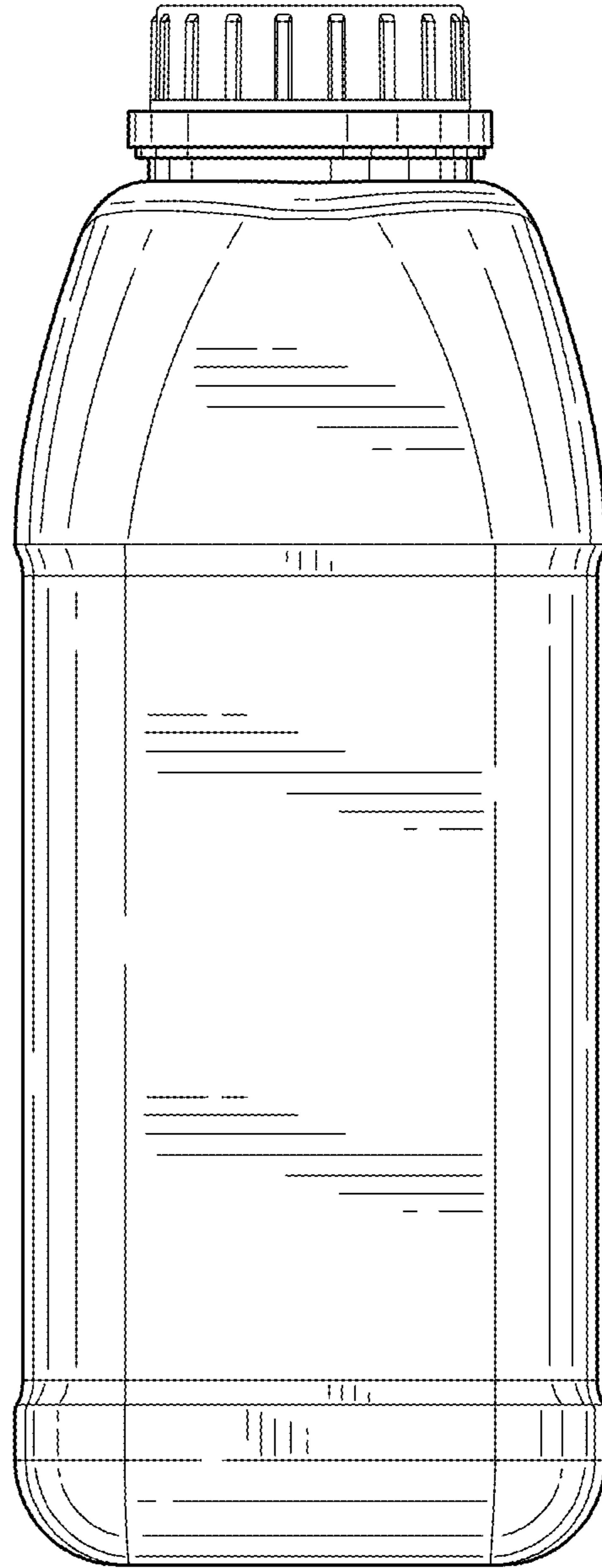


FIG. 5

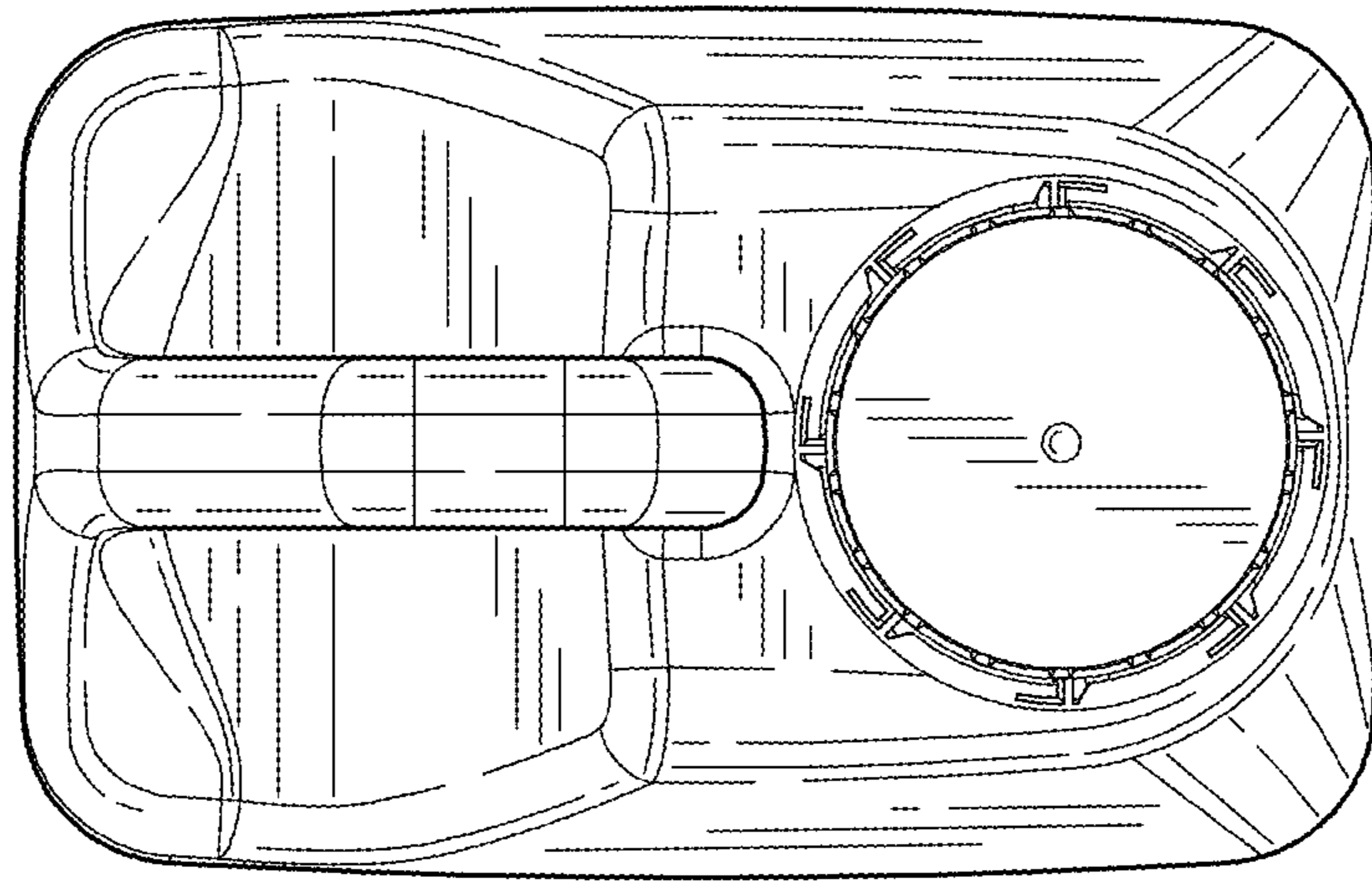


FIG. 6

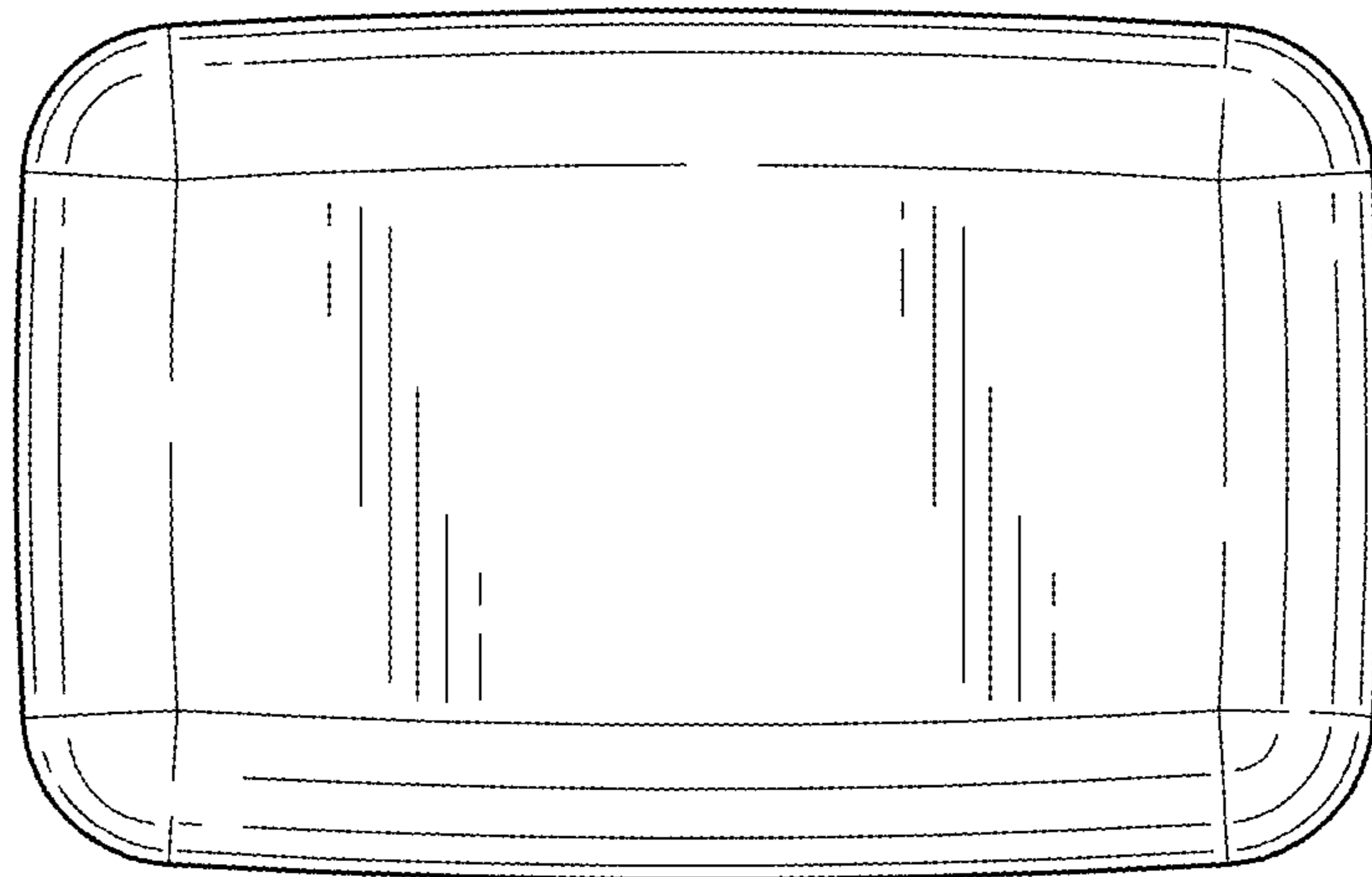


FIG. 7