



US00D916592S

(12) **United States Design Patent**
Chambers et al.

(10) **Patent No.:** **US D916,592 S**

(45) **Date of Patent:** **** Apr. 20, 2021**

(54) **CAP FOR DISPENSING LIQUID SOAP**

(71) Applicants: **Greg Chambers**, San Luis Obispo, CA
(US); **Ben Chambers**, Sterling, VA
(US)

(72) Inventors: **Greg Chambers**, San Luis Obispo, CA
(US); **Ben Chambers**, Sterling, VA
(US)

(**) Term: **15 Years**

(21) Appl. No.: **29/755,356**

(22) Filed: **Oct. 20, 2020**

(51) **LOC (13) Cl.** **09-07**

(52) **U.S. Cl.**
USPC **D9/453; D9/447; D9/451; D9/452**

(58) **Field of Classification Search**
USPC D9/434, 435, 439, 440, 442-457, 499,
D9/503-505, 682, 685, 686; D7/387,
D7/391, 392, 392.1, 396.1, 396.2, 507,
D7/509-511, 538, 900; D3/202, 203.2,
D3/294, 318; D28/91, 91.1; D6/542,
D6/543
CPC .. A61J 1/00; A61J 1/1412; B65D 1/00; B65D
1/02; B65D 1/10; B65D 1/46; B65D
5/46; B65D 41/00; B65D 41/38; B65D
41/56; B65D 41/62; B65D 47/00; B65D
47/06; B65D 47/08; B65D 2251/00;
B65D 2543/00046; B65D 2543/00092;
B65D 2543/00296

See application file for complete search history.

(56) **References Cited**

U.S. PATENT DOCUMENTS

D117,721 S * 11/1939 Ray D9/445
D535,879 S * 1/2007 Crawford D9/452
D546,684 S * 7/2007 Crawford D9/452

D565,413 S * 4/2008 Honkawa D9/452
D598,284 S * 8/2009 Floyd D9/452
D616,984 S * 6/2010 Gilboa D24/129
D638,295 S * 5/2011 Heidel D9/454
D644,105 S * 8/2011 Thielman D9/452
D656,022 S * 3/2012 Thielman D9/435
D669,980 S * 10/2012 Lev D24/129

(Continued)

Primary Examiner — Wendy L Arminio

(74) *Attorney, Agent, or Firm* — Sandy Lipkin

(57) **CLAIM**

The ornamental design for a cap for dispensing liquid soap,
as shown and described.

DESCRIPTION

FIG. 1 is a front perspective view of the cap for dispensing
liquid soap.

FIG. 2 is a rear perspective view of the cap for dispensing
liquid soap.

FIG. 3 is a top view of the cap for dispensing liquid soap.

FIG. 4 is a bottom view of the cap for dispensing liquid soap.

FIG. 5 is a left side view of the cap for dispensing liquid
soap.

FIG. 6 is a right side view of the cap for dispensing liquid
soap.

FIG. 7 is a front view of the cap for dispensing liquid soap.

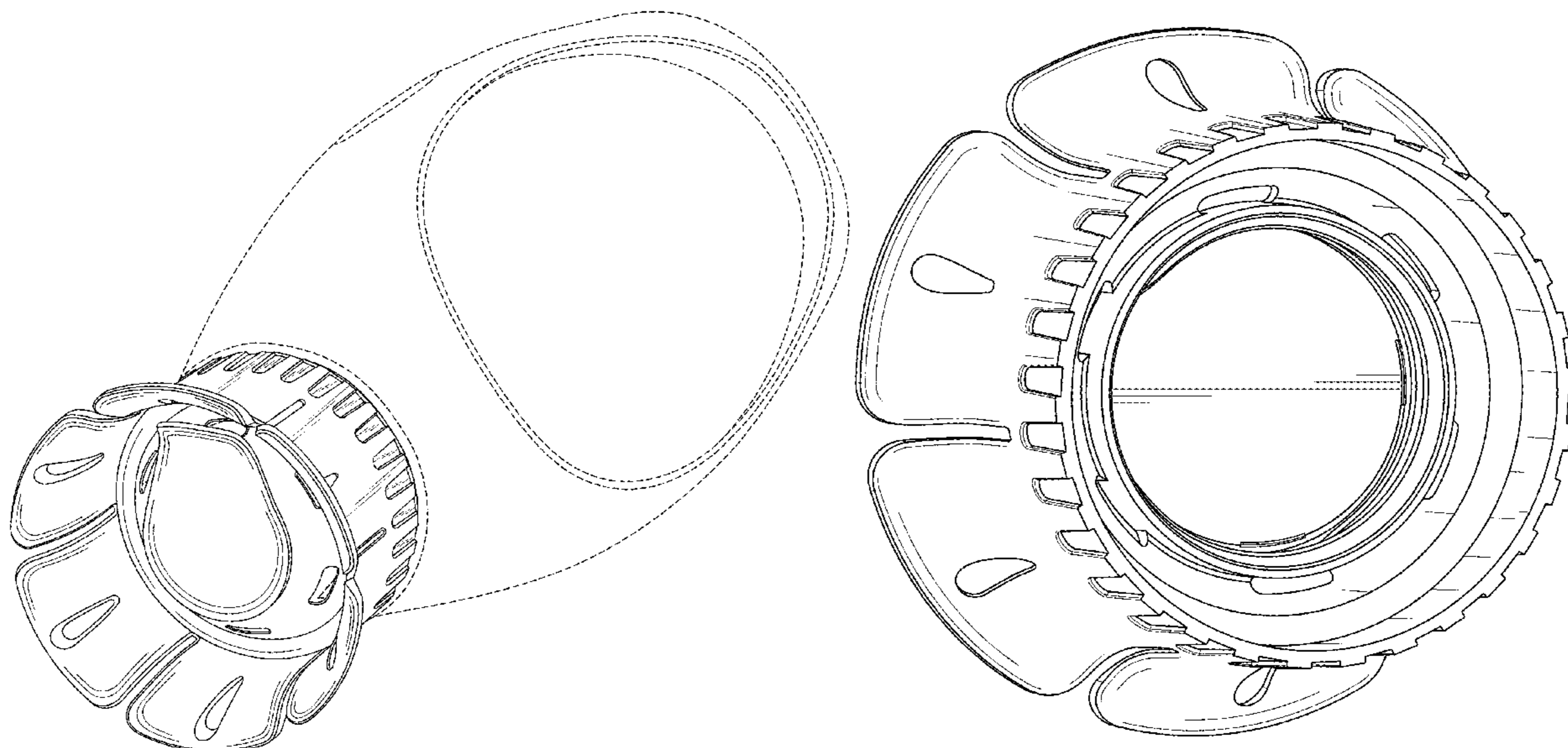
FIG. 8 is a rear view of the cap for dispensing liquid soap.

FIG. 9 is rear perspective view of the cap for dispensing
liquid soap of FIG. 1 shown removed from the unclaimed
liquid soap bottle; and,

FIG. 10. is a rear plan view of the cap for dispensing liquid
soap of FIG. 1 shown removed from the unclaimed liquid
soap bottle.

The broken lines illustrating a liquid soap bottle depict
environment and form no part of the claimed design. All
other broken lines depict portions of the cap for dispensing
liquid soap that form no part of the claimed design.

1 Claim, 10 Drawing Sheets



(56)

References Cited

U.S. PATENT DOCUMENTS

D679,186	S *	4/2013	Brown	D9/453
D687,714	S *	8/2013	De Wilde	D9/451
D708,950	S *	7/2014	Zeid	D9/453
D736,624	S *	8/2015	Berlepsch	D9/451
D746,681	S *	1/2016	Jasso Gomez	D9/451
D754,541	S *	4/2016	Jasso Gomez	D9/451
9,339,438	B2 *	5/2016	Lev	A61J 1/2051
D781,708	S *	3/2017	Jasso Gomez	D9/452
D792,767	S *	7/2017	Dalton	D9/451
D808,267	S *	1/2018	Jasso Gomez	D9/451
D813,671	S *	3/2018	Arthur, IV	D9/452
D817,171	S *	5/2018	Patrick	D9/445
D880,247	S *	4/2020	Kim	D7/602
10,646,404	B2 *	5/2020	Denenburg	A61J 1/1406
D885,905	S *	6/2020	Neputy	D9/453
2010/0107341	A1 *	5/2010	Floyd	B65D 1/0223 8/137

* cited by examiner

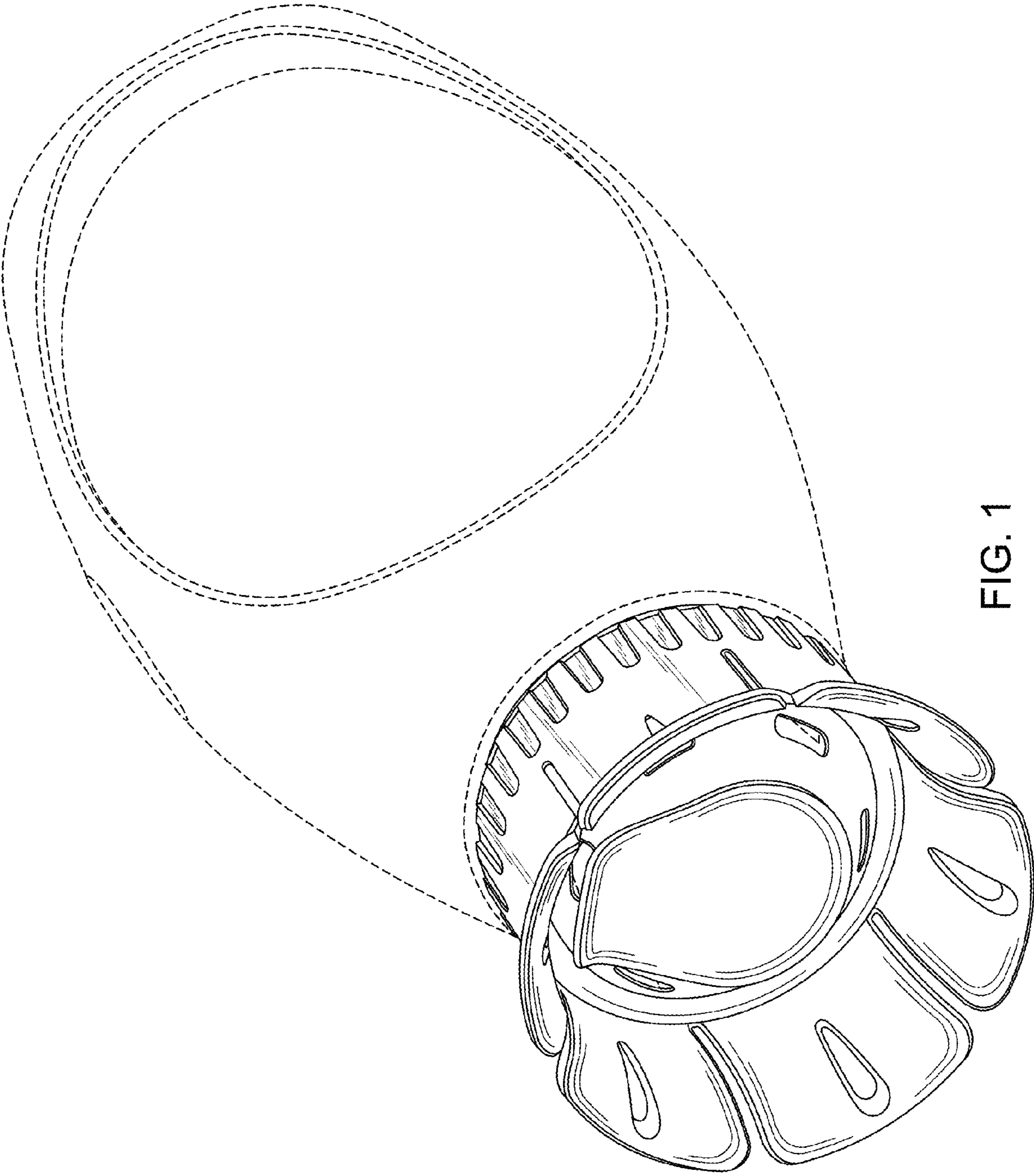


FIG. 1

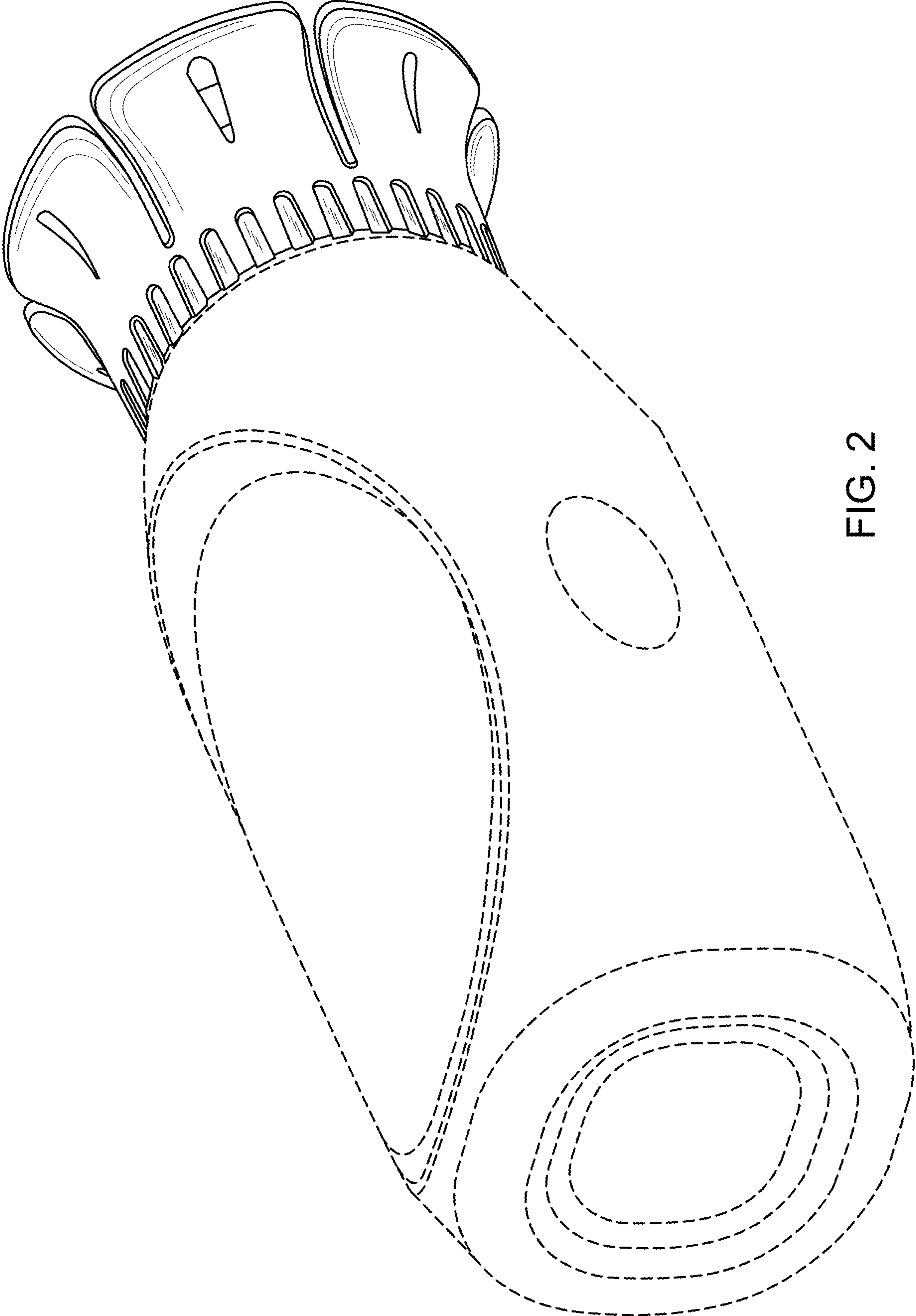


FIG. 2

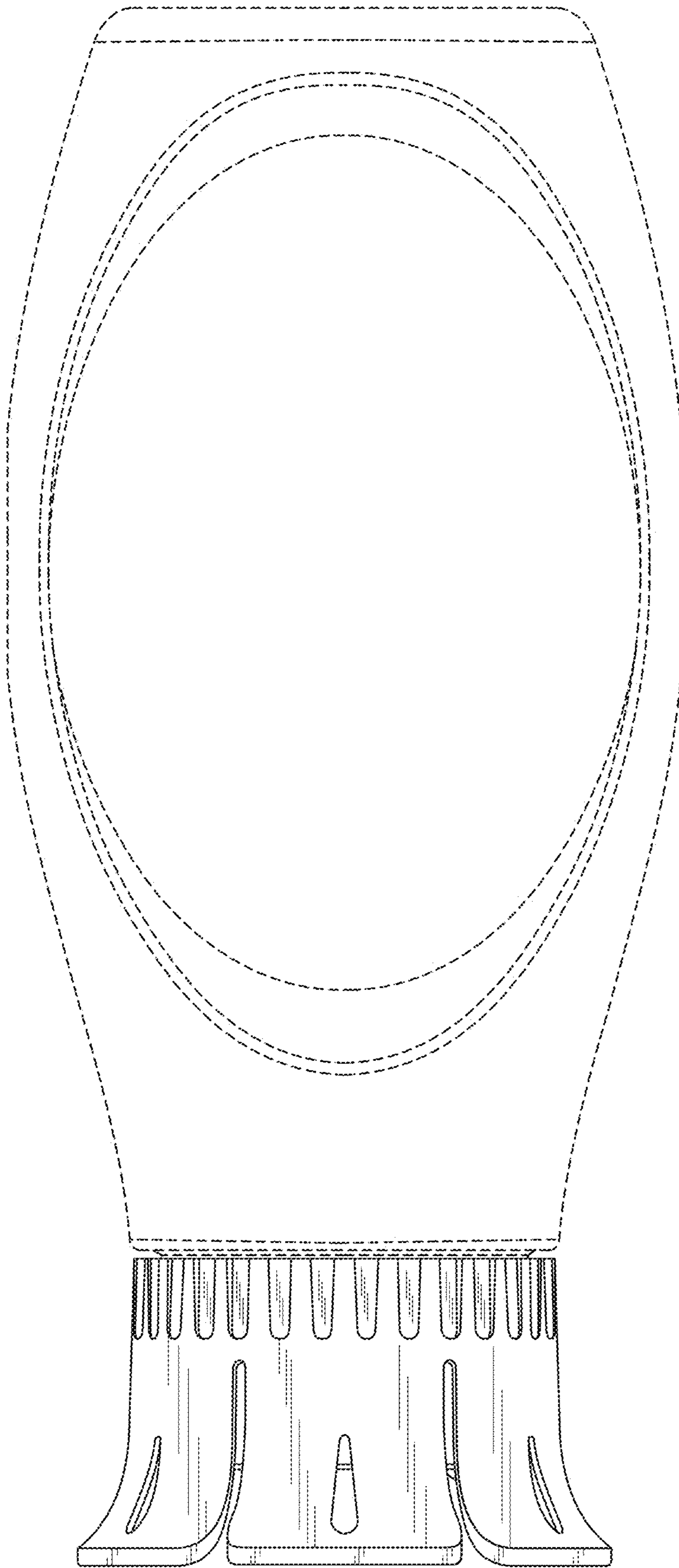


FIG. 3

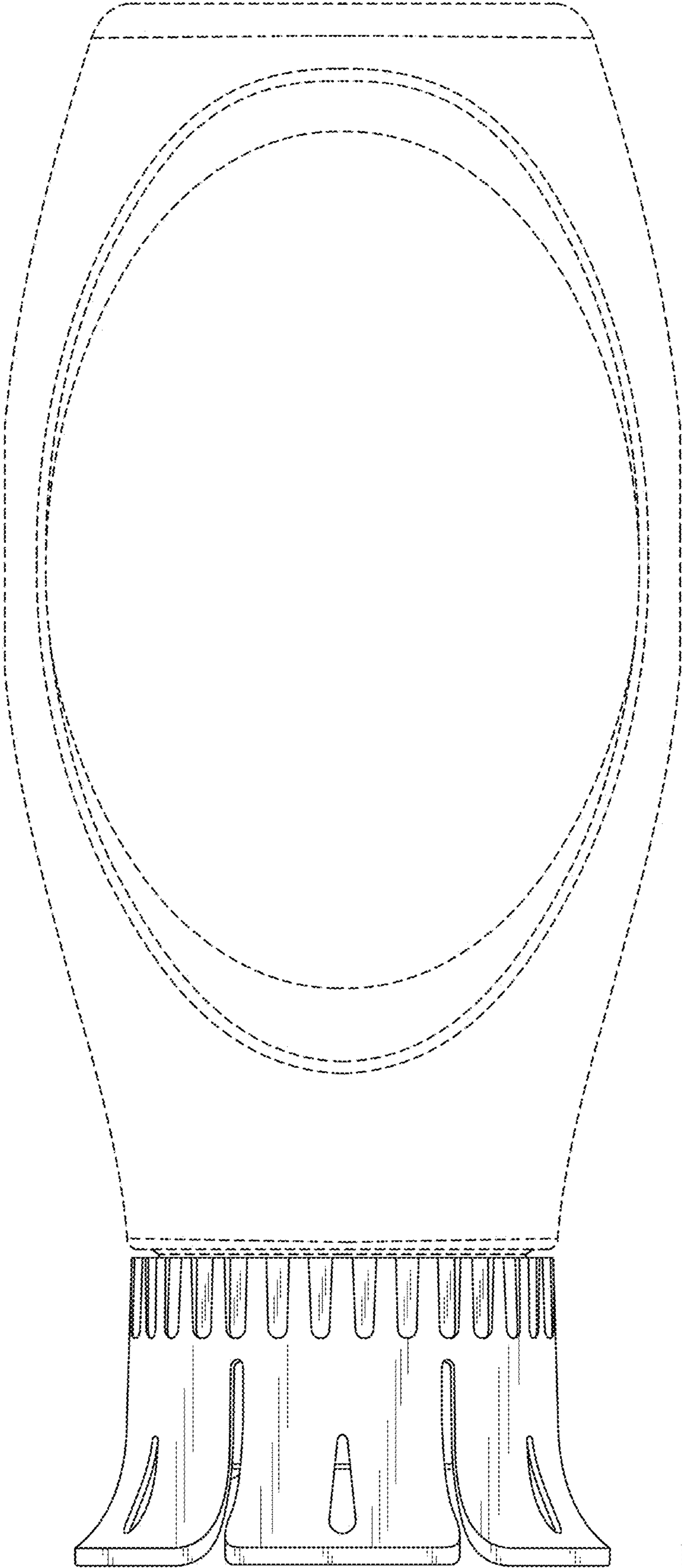


FIG. 4

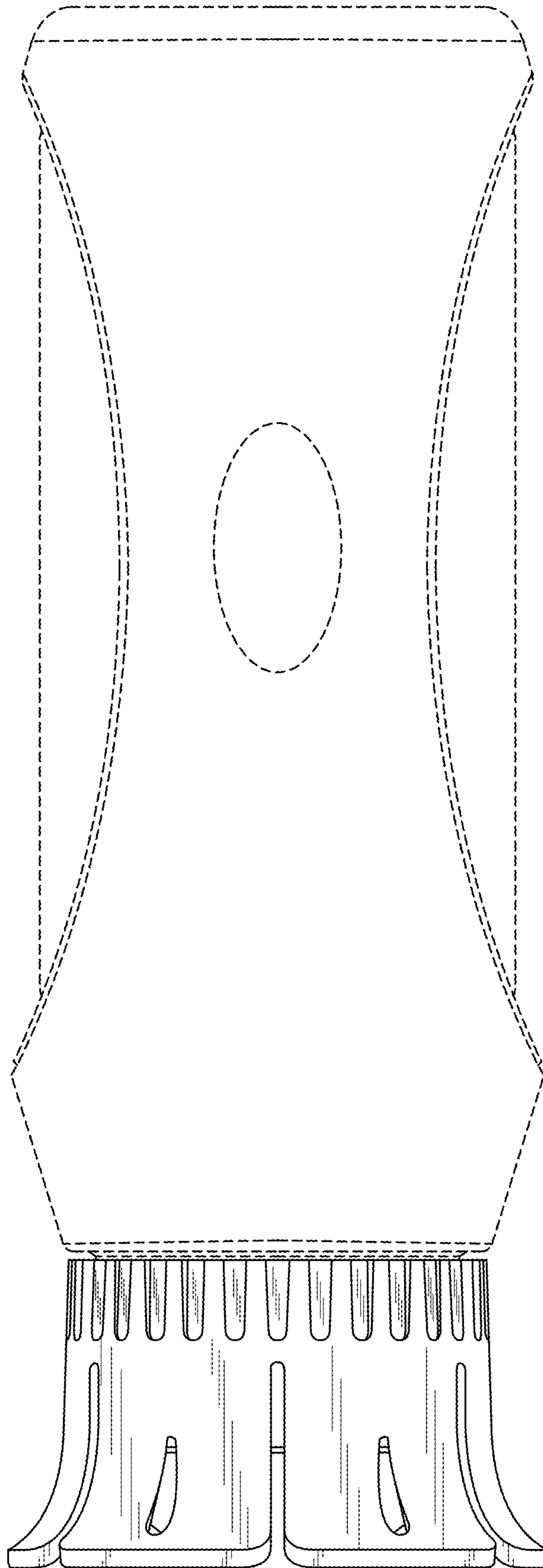


FIG. 5

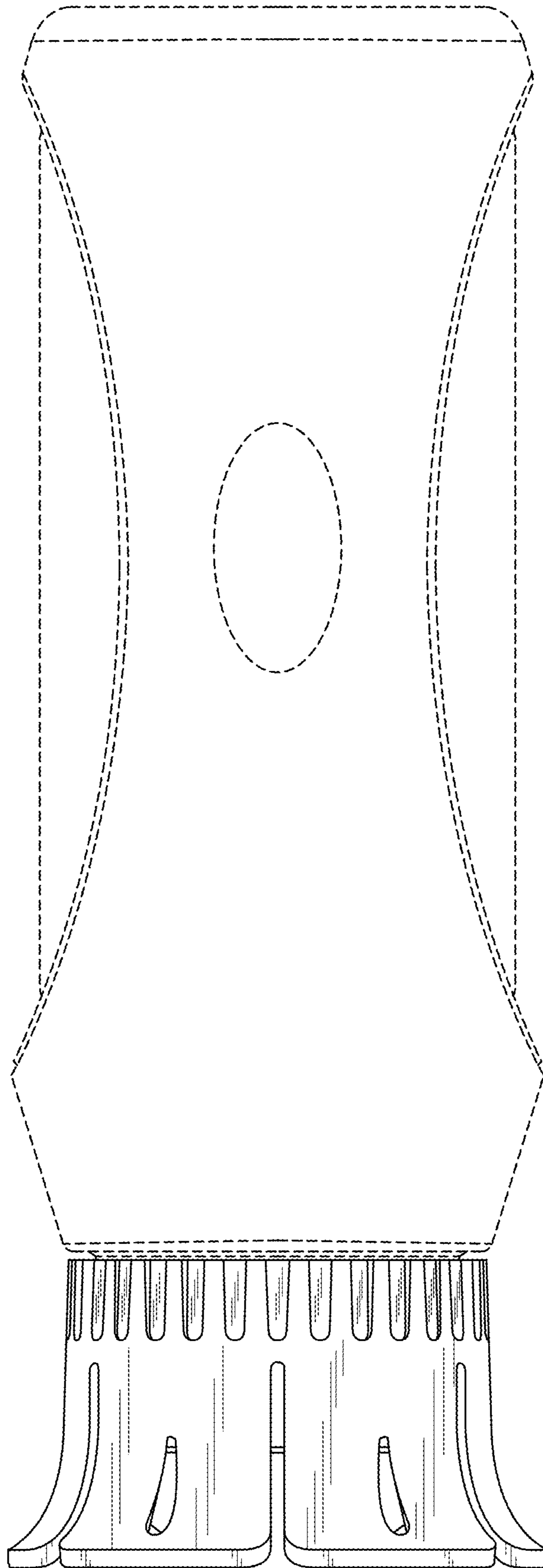


FIG. 6

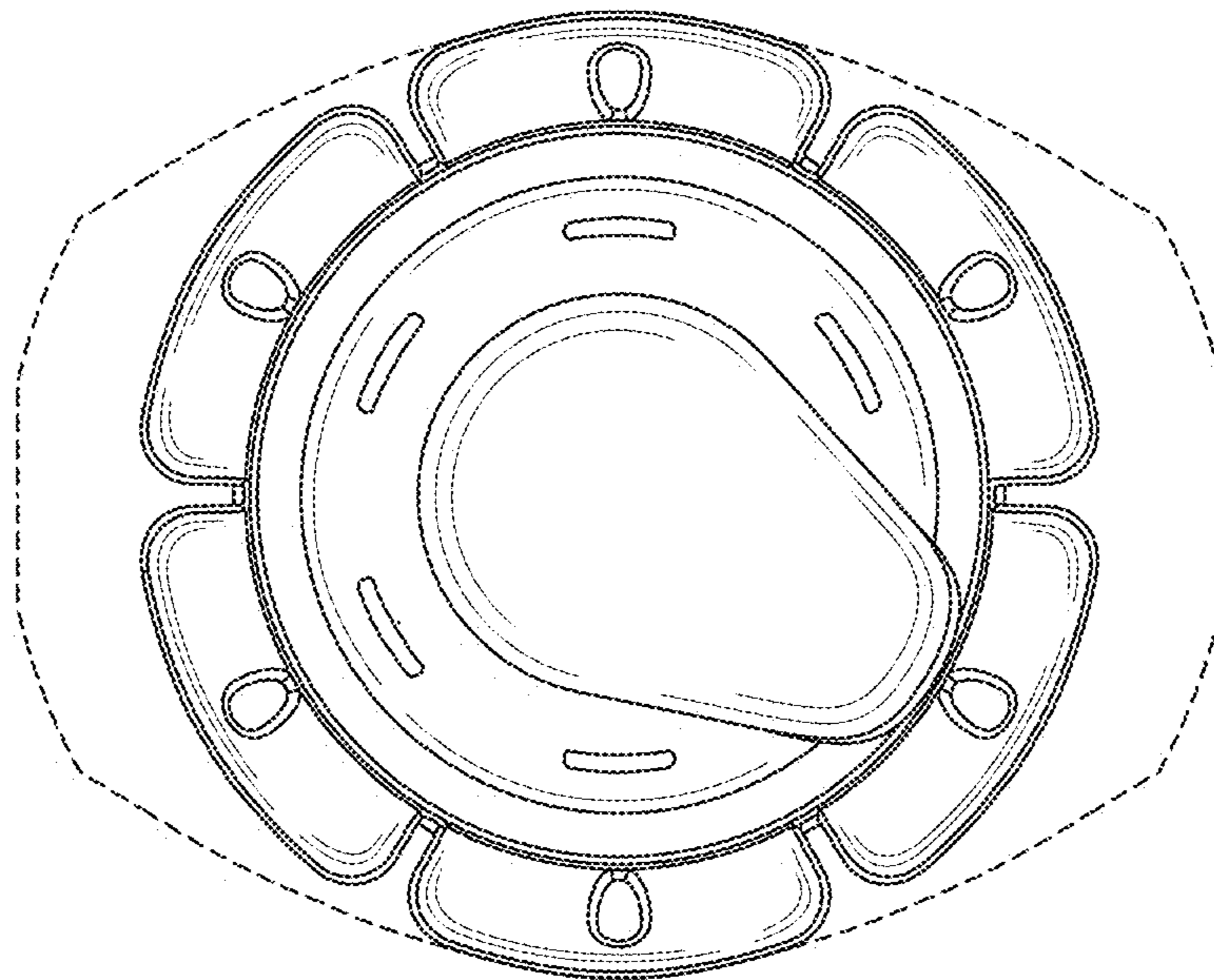


FIG. 7

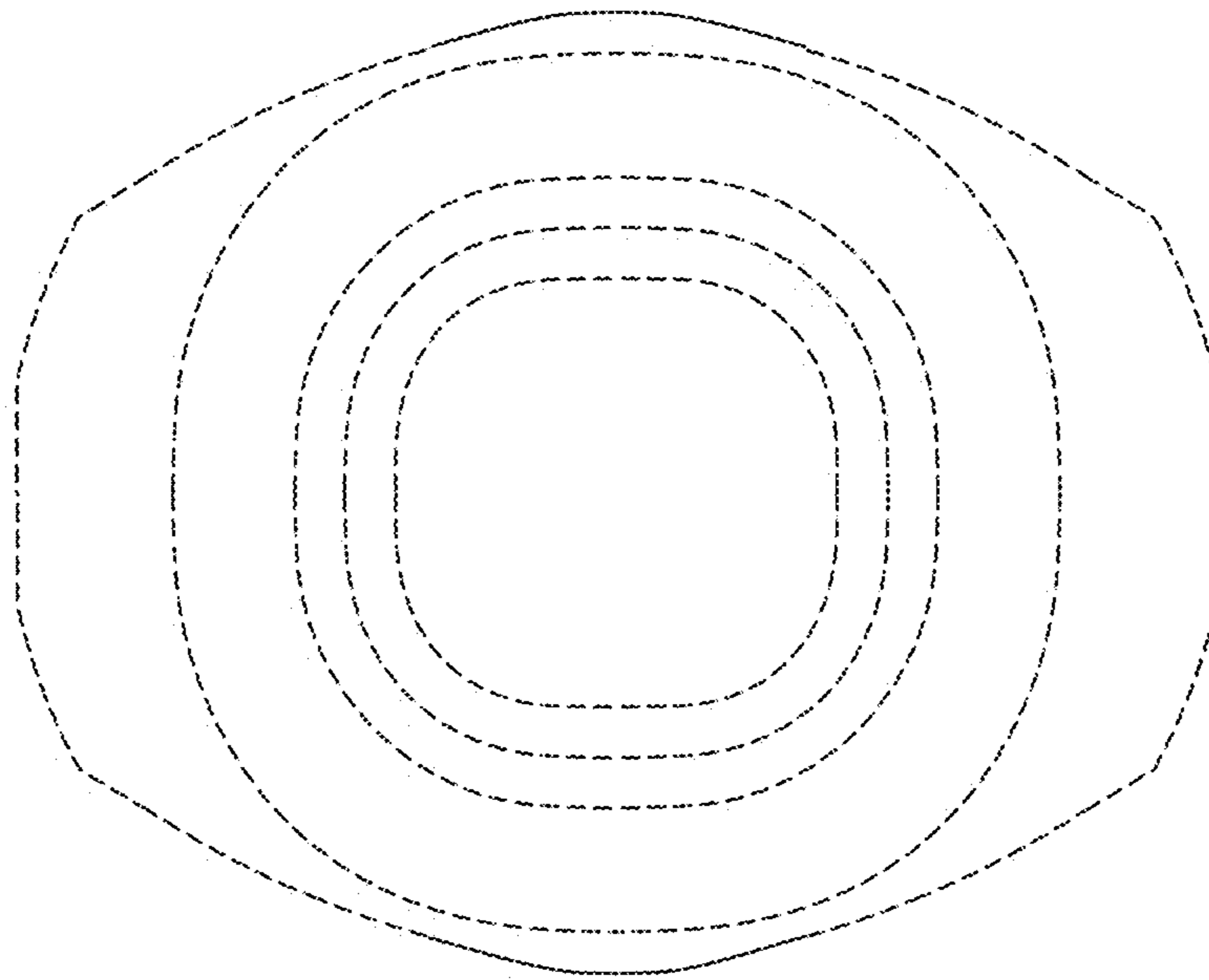


FIG. 8

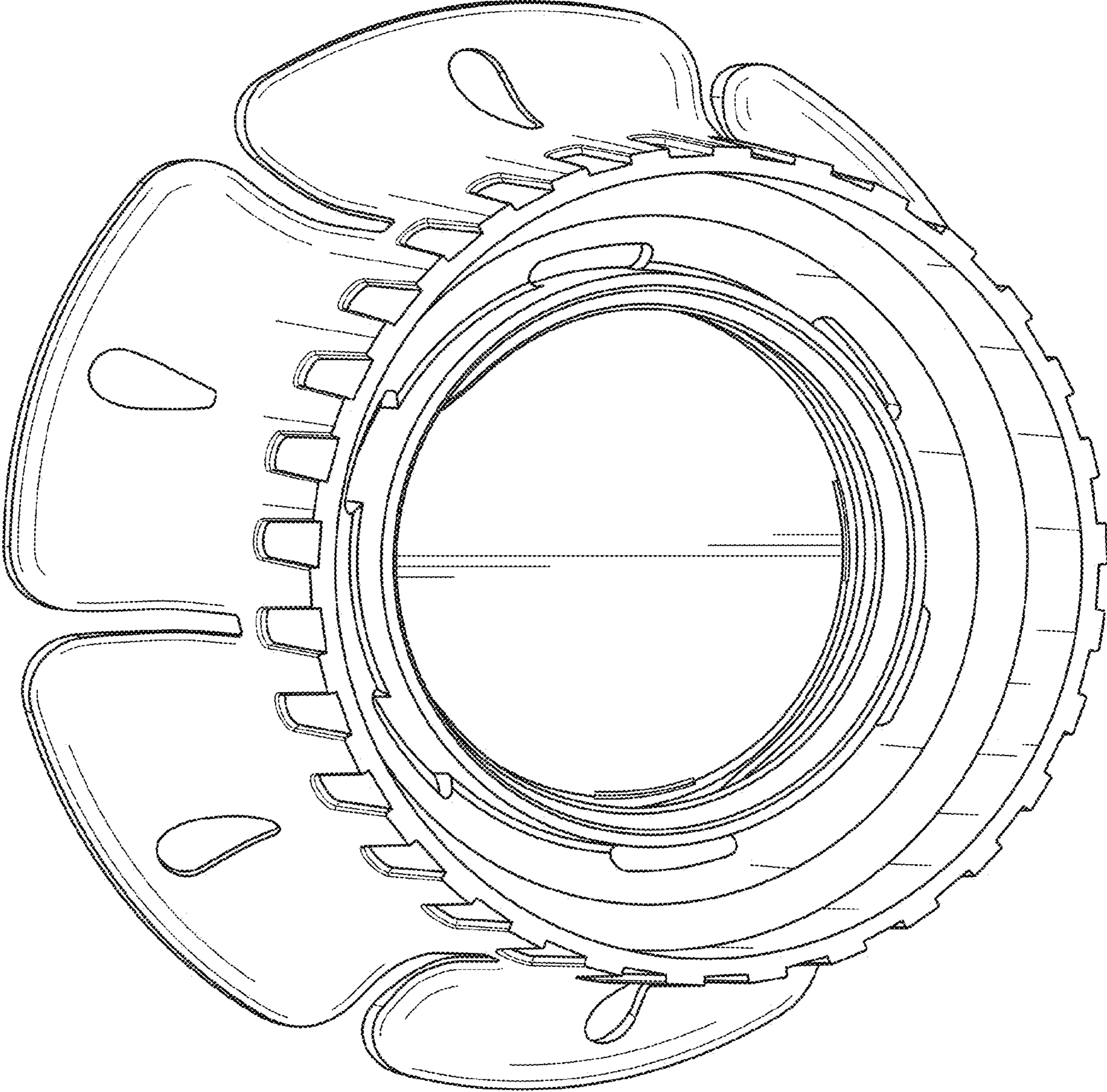


FIG. 9

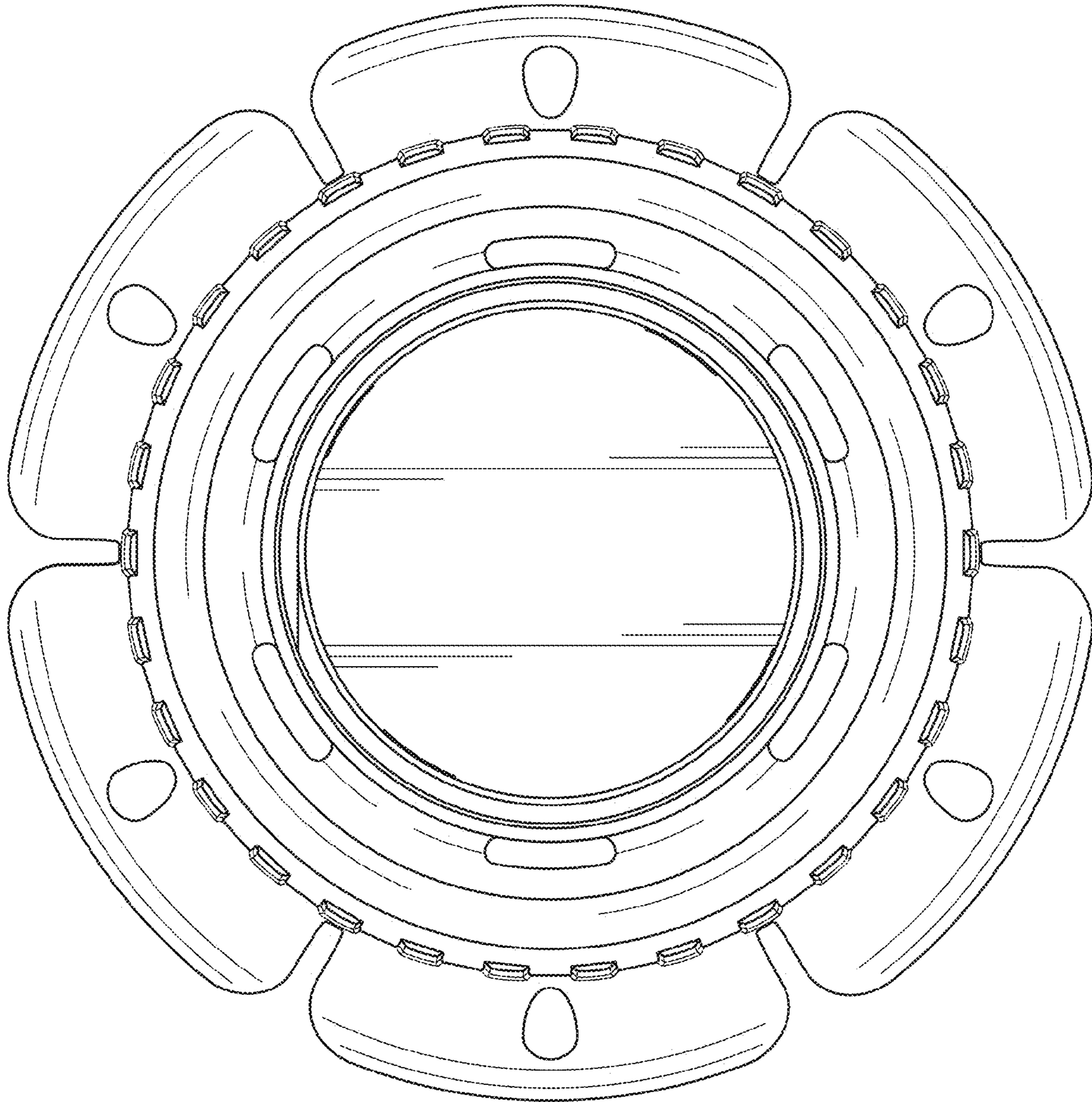


FIG. 10