



US00D916590S

(12) **United States Design Patent** (10) **Patent No.:** **US D916,590 S**
Albright et al. (45) **Date of Patent:** **** *Apr. 20, 2021**

(54) **SHELL**
(71) Applicant: **Stolle Machinery Company, LLC**, Centennial, CO (US)
(72) Inventors: **Steven Todd Albright**, Covington, OH (US); **Robert Joseph Will**, Maria Stein, OH (US); **Dennis Cornelius Stammen**, Brookville, OH (US)
(73) Assignee: **Stolle Machinery Company, LLC**, Centennial, CO (US)
(*) Notice: This patent is subject to a terminal disclaimer.
(**) Term: **15 Years**
(21) Appl. No.: **29/691,567**
(22) Filed: **May 17, 2019**
(51) **LOC (13) Cl.** **09-07**
(52) **U.S. Cl.**
USPC **D9/435**
(58) **Field of Classification Search**
USPC D7/392.1, 601, 602, 612, 615, 629, 705, D7/706; D9/434, 435, 438, 447, 449, D9/450, 451, 454, 500, 502, 503, 504, D9/516, 520, 530, 537, 539, 542, 549, D9/550, 551, 763-783, 903
CPC ... B65D 1/00; B65D 1/02; B65D 1/10; B65D 1/12; B65D 1/14; B65D 1/40; B65D 1/44; B65D 1/023; B65D 1/0223; B65D 1/165; B65D 1/246; B65D 25/00; B65D 2585/56; B65D 41/00; B65D 41/56; B65D 41/62; B65D 47/06; B65D 47/08; B65D 2543/00046; B65D 2543/00064; B65D 2543/00074; B65D 2543/00083; B65D 2543/00092; B65D 2543/00096; B65D 2543/00101; B65D 2543/00296
See application file for complete search history.

(56) **References Cited**
U.S. PATENT DOCUMENTS
D32,681 S * 5/1900 Morgenthaler D9/434
3,115,985 A * 12/1963 Fried B65D 17/503
220/277
D199,548 S * 11/1964 Zundel D9/438
3,251,515 A * 5/1966 Henchert B65D 17/502
222/487
D206,500 S * 12/1966 Nissen et al. D9/438
D224,962 S * 10/1972 Saunders D9/438
D246,157 S * 10/1977 Kocour D9/438
4,093,102 A 6/1978 Kraska
D255,424 S * 6/1980 Bathurst D9/438
D257,228 S * 10/1980 Saunders D9/438
D263,802 S * 4/1982 Frazee D9/438
D275,373 S * 9/1984 Brown D9/438
D282,616 S * 2/1986 Gallagher D7/392.1
D285,661 S * 9/1986 Brownbill D9/435
4,749,100 A * 6/1988 Eberhart B65D 43/0212
220/258.2
D300,608 S * 4/1989 Taylor D9/438

(Continued)

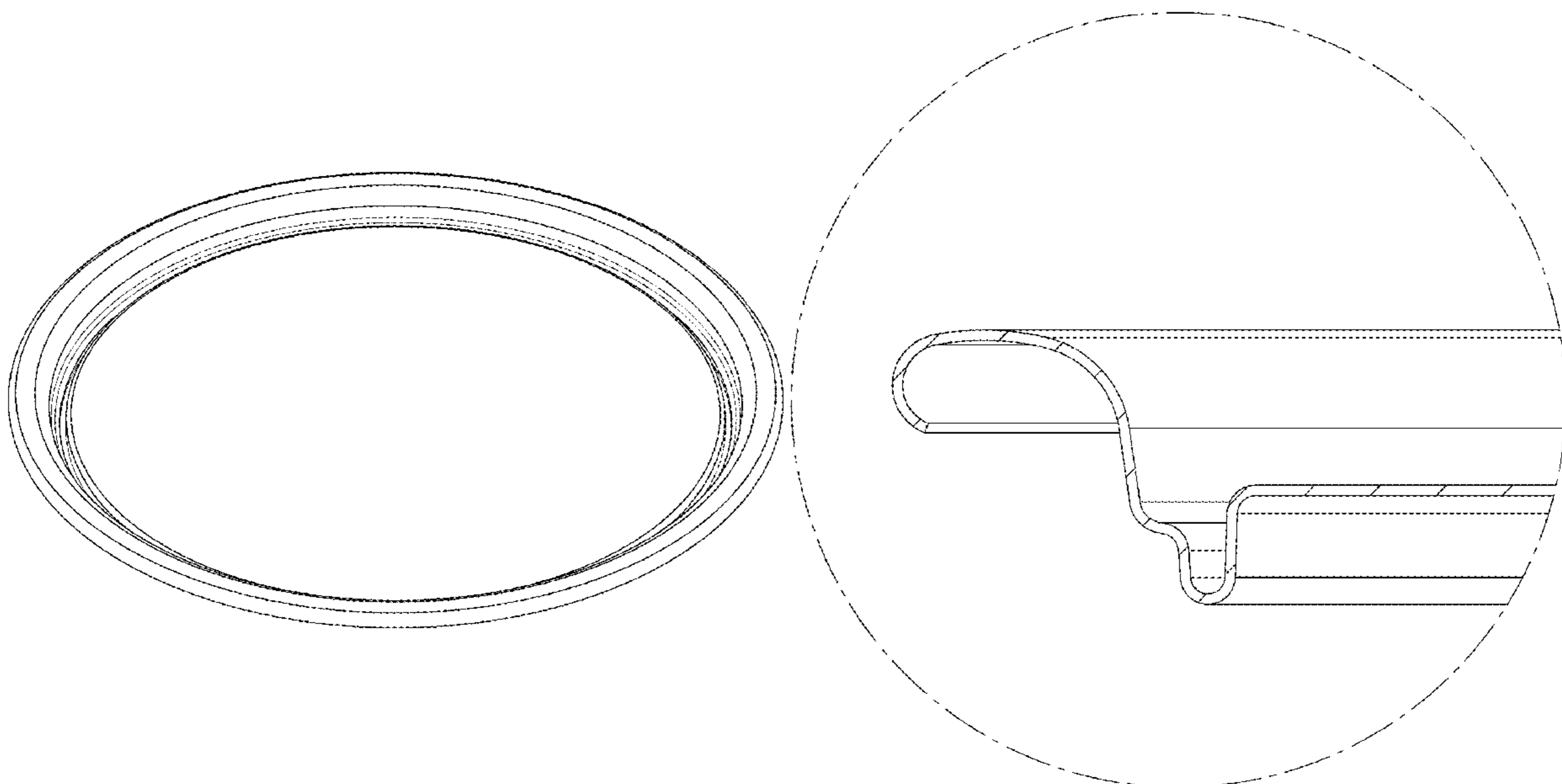
Primary Examiner — Jasmine Mlinarcik
(74) *Attorney, Agent, or Firm* — Eckert Seamans Cherin & Mellott, LLC

(57) **CLAIM**
The ornamental design for a shell, as shown and described.

DESCRIPTION

FIG. 1 is a top isometric view of a shell;
FIG. 2 is a bottom isometric view of the shell;
FIG. 3 is a cross-sectional side view of the shell taken from line 3-3 in FIG. 6;
FIG. 4 is an enlarged detail view of the shell taken from line 4 in FIG. 3;
FIG. 5 is a side elevation view of the shell;
FIG. 6 is a top plan view of the shell; and,
FIG. 7 is a bottom plan view of the shell.

1 Claim, 5 Drawing Sheets



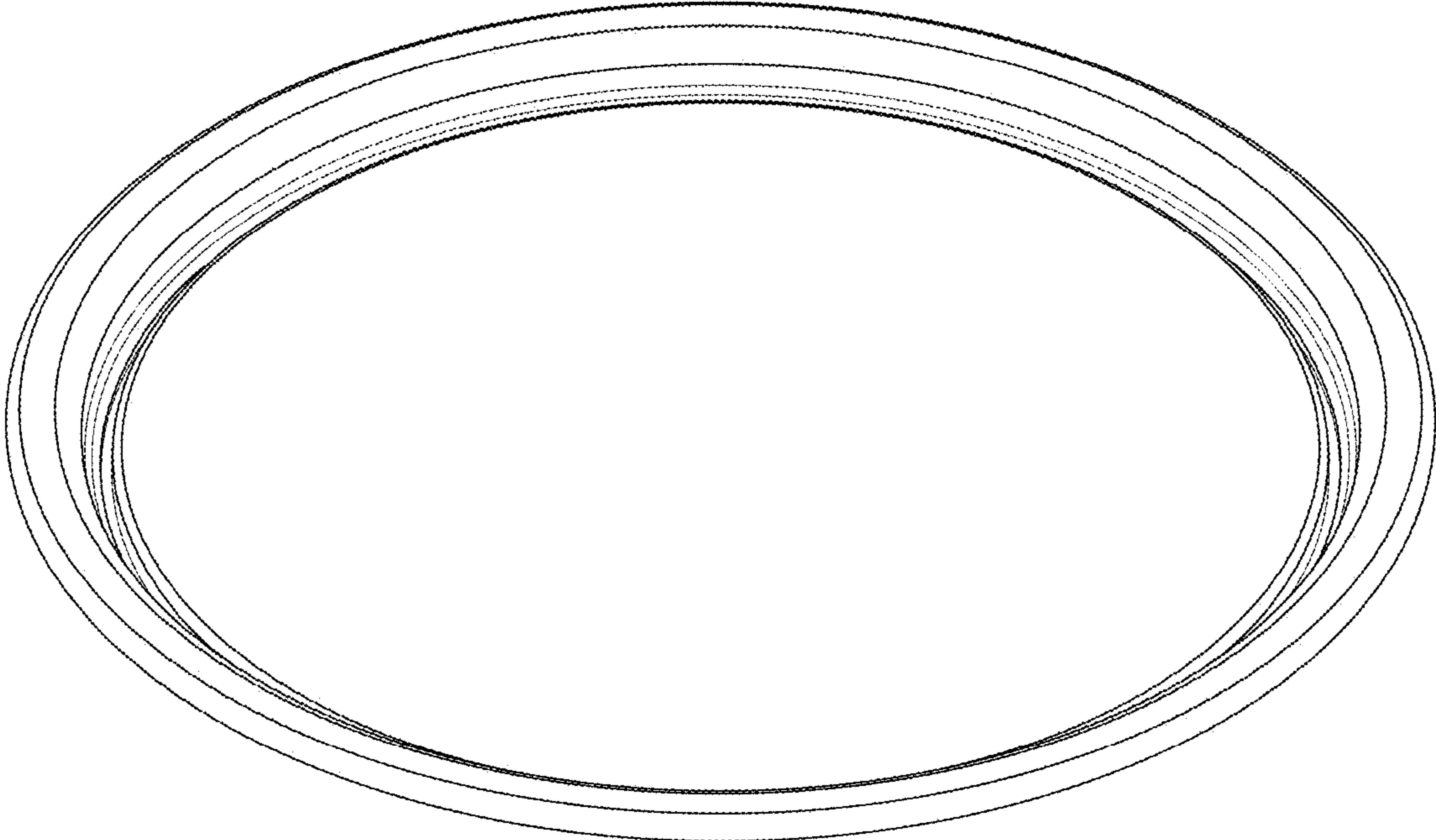


FIG. 1

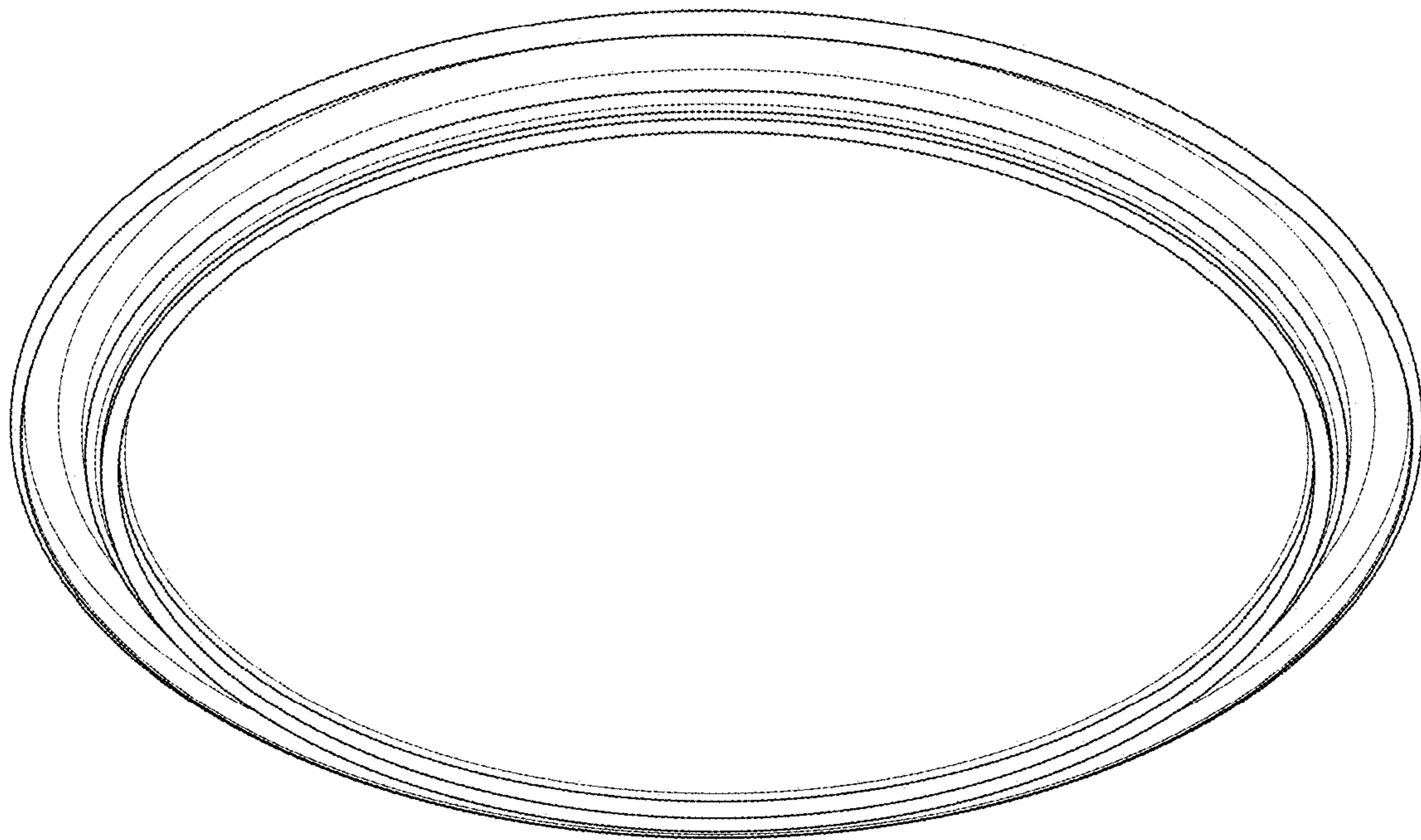
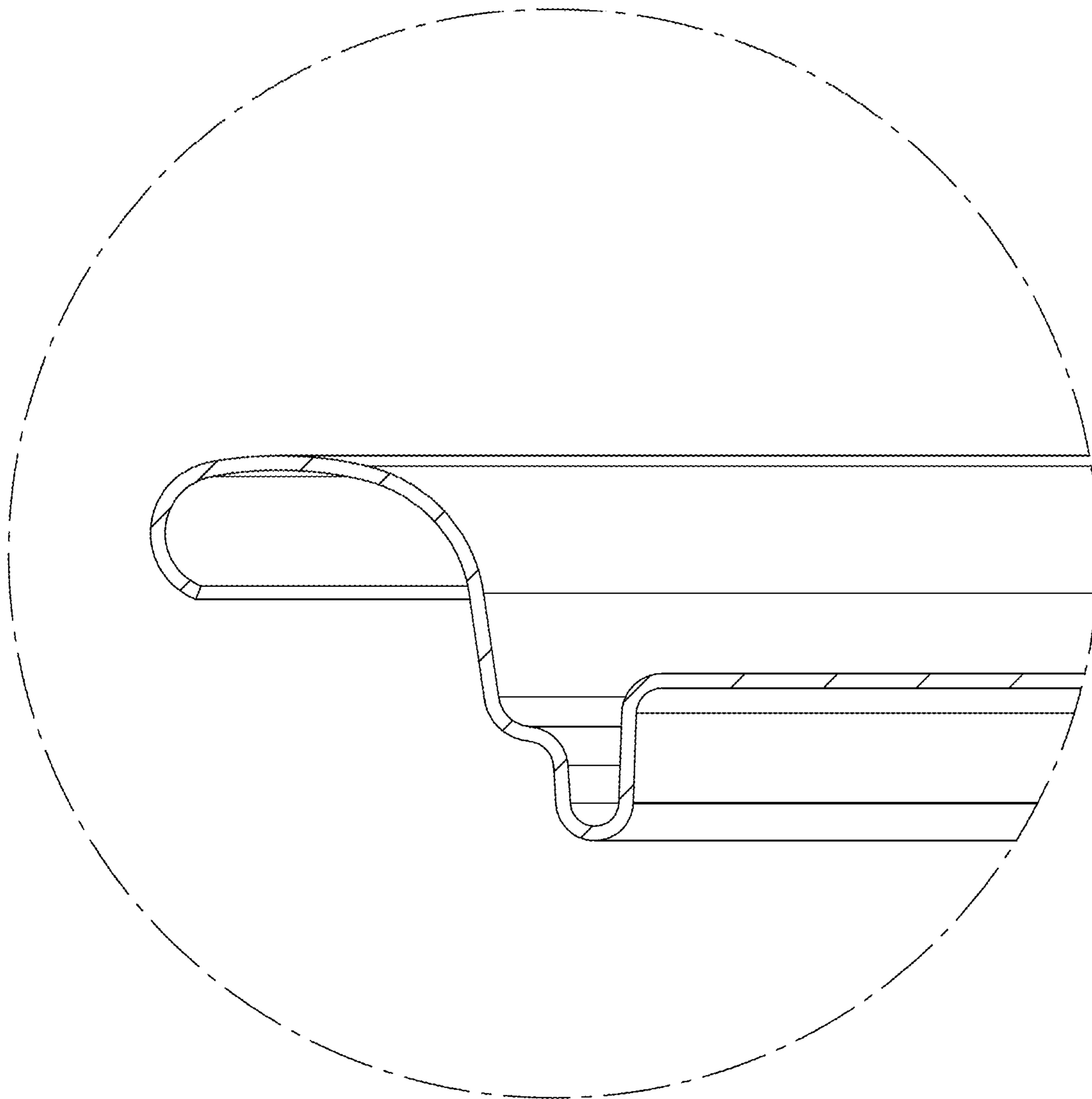
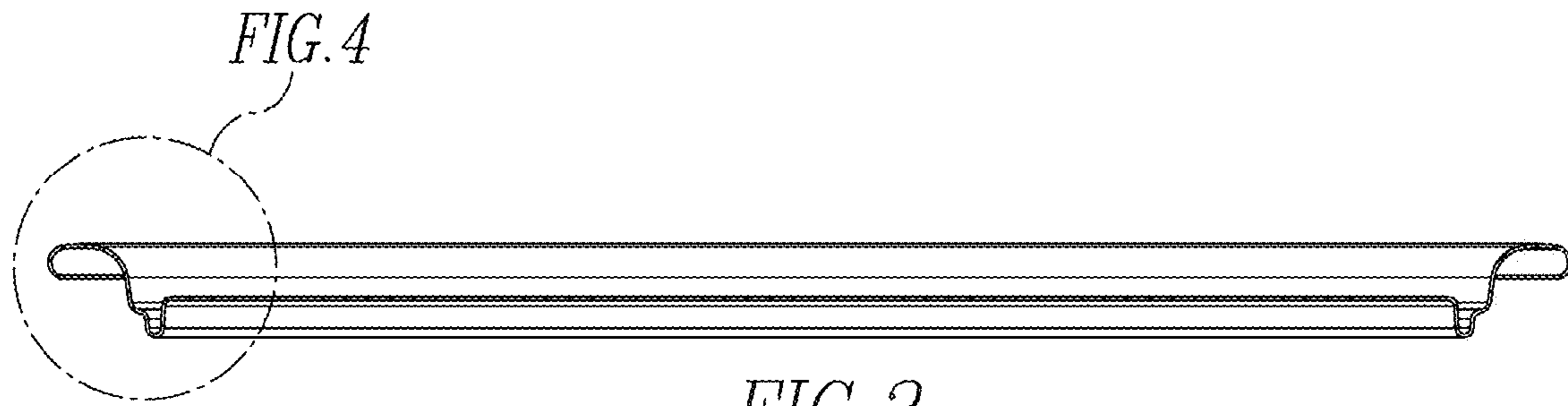


FIG. 2



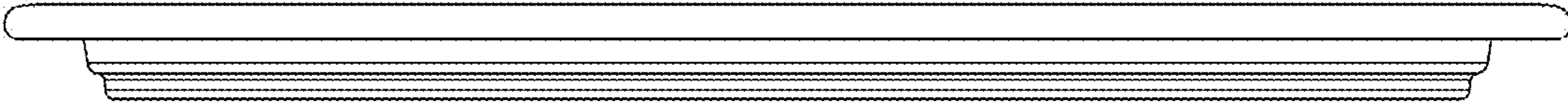


FIG. 5

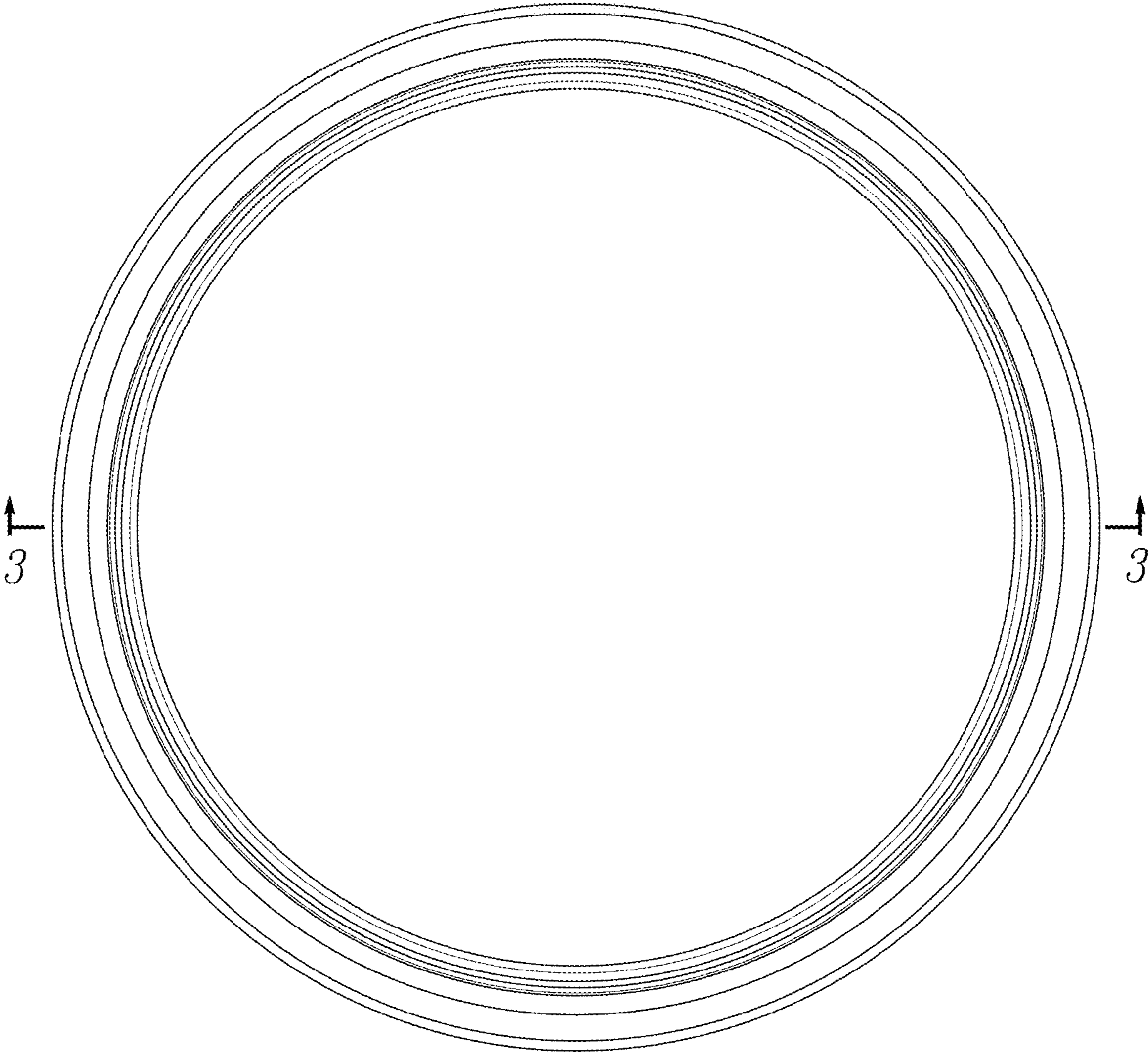


FIG. 6

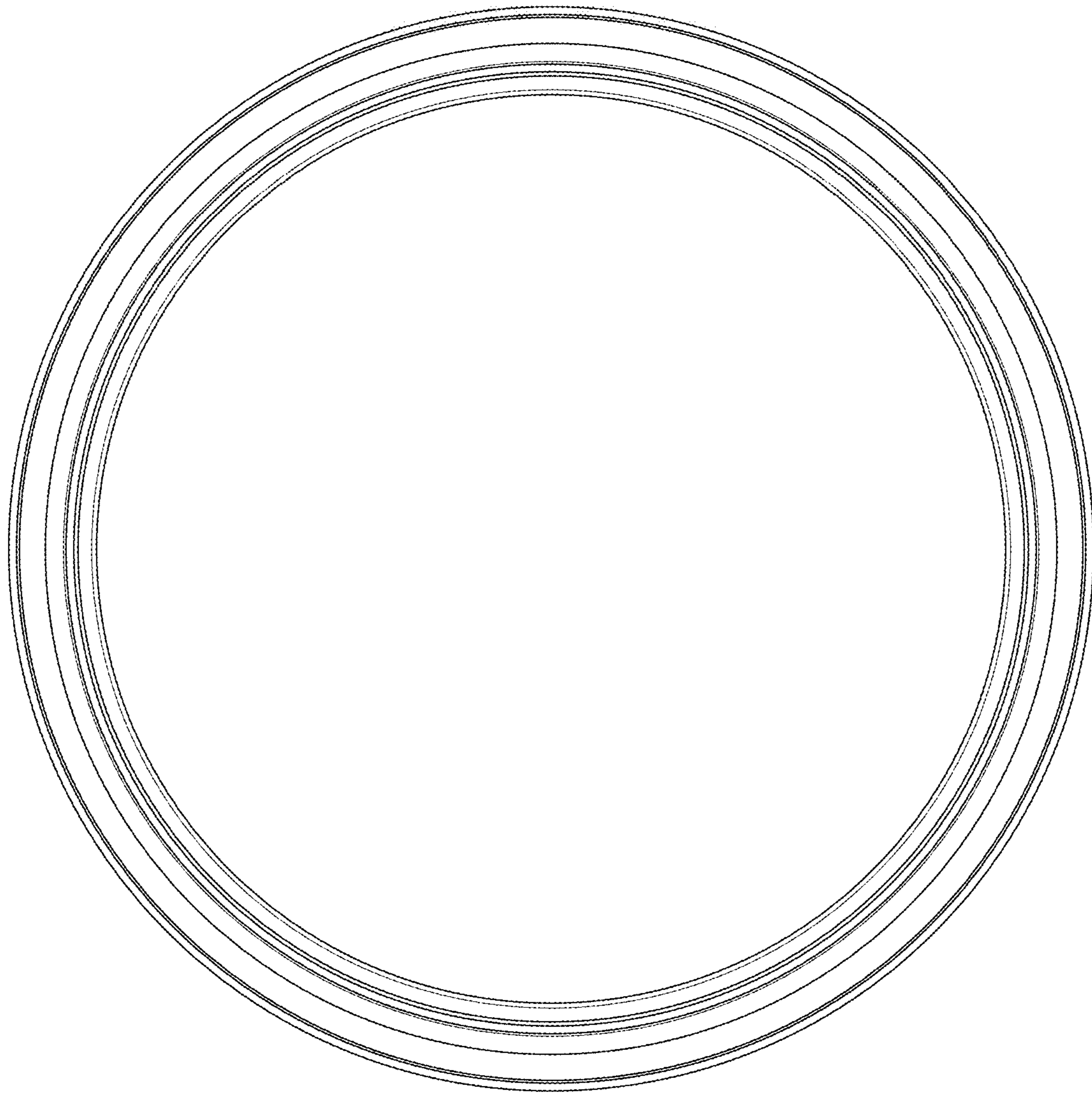


FIG. 7