



US00D916585S

(12) **United States Design Patent**
Chapman et al.

(10) **Patent No.:** **US D916,585 S**

(45) **Date of Patent:** **** Apr. 20, 2021**

(54) **CONTAINER**

(71) Applicants: **Dean Chapman**, Montclair, NJ (US);
John R. Winter, Morristown, NJ (US);
Benjamin Broerman, Hoboken, NJ (US)

(72) Inventors: **Dean Chapman**, Montclair, NJ (US);
John R. Winter, Morristown, NJ (US);
Benjamin Broerman, Hoboken, NJ (US)

(**) Term: **15 Years**

(21) Appl. No.: **29/714,617**

(22) Filed: **Nov. 25, 2019**

(51) **LOC (13) Cl.** **09-03**

(52) **U.S. Cl.**
USPC **D9/425**

(58) **Field of Classification Search**
USPC D7/400, 601, 608; D9/416, 417, 420,
D9/425-429, 430, 432, 761
CPC . B65D 1/26; B65D 1/40; B65D 5/243; B65D
81/3453; B65D 2581/34; B65D
2581/3404; B65D 2581/3456
See application file for complete search history.

(56) **References Cited**

U.S. PATENT DOCUMENTS

D363,662 S * 10/1995 Plater D3/304
D420,859 S * 2/2000 Loew D7/602

D555,476 S * 11/2007 Nielsen D9/425
D644,884 S * 9/2011 Samartgis D7/602
D666,876 S * 9/2012 Rusnak D7/602
D697,764 S * 1/2014 Carlson D7/602
D708,018 S * 7/2014 Carlson D7/602
D717,121 S * 11/2014 Carlson D7/602
D787,275 S * 5/2017 Carlson D7/602

* cited by examiner

Primary Examiner — Janice Patyk

(74) *Attorney, Agent, or Firm* — Stuart M. Goldstein

(57) **CLAIM**

The ornamental design for a container, as shown and described.

DESCRIPTION

FIG. 1 is a top perspective view of a container of the present invention.

FIG. 2 is a top view thereof.

FIG. 3 is a side elevation view thereof.

FIG. 4 is a front elevation view thereof.

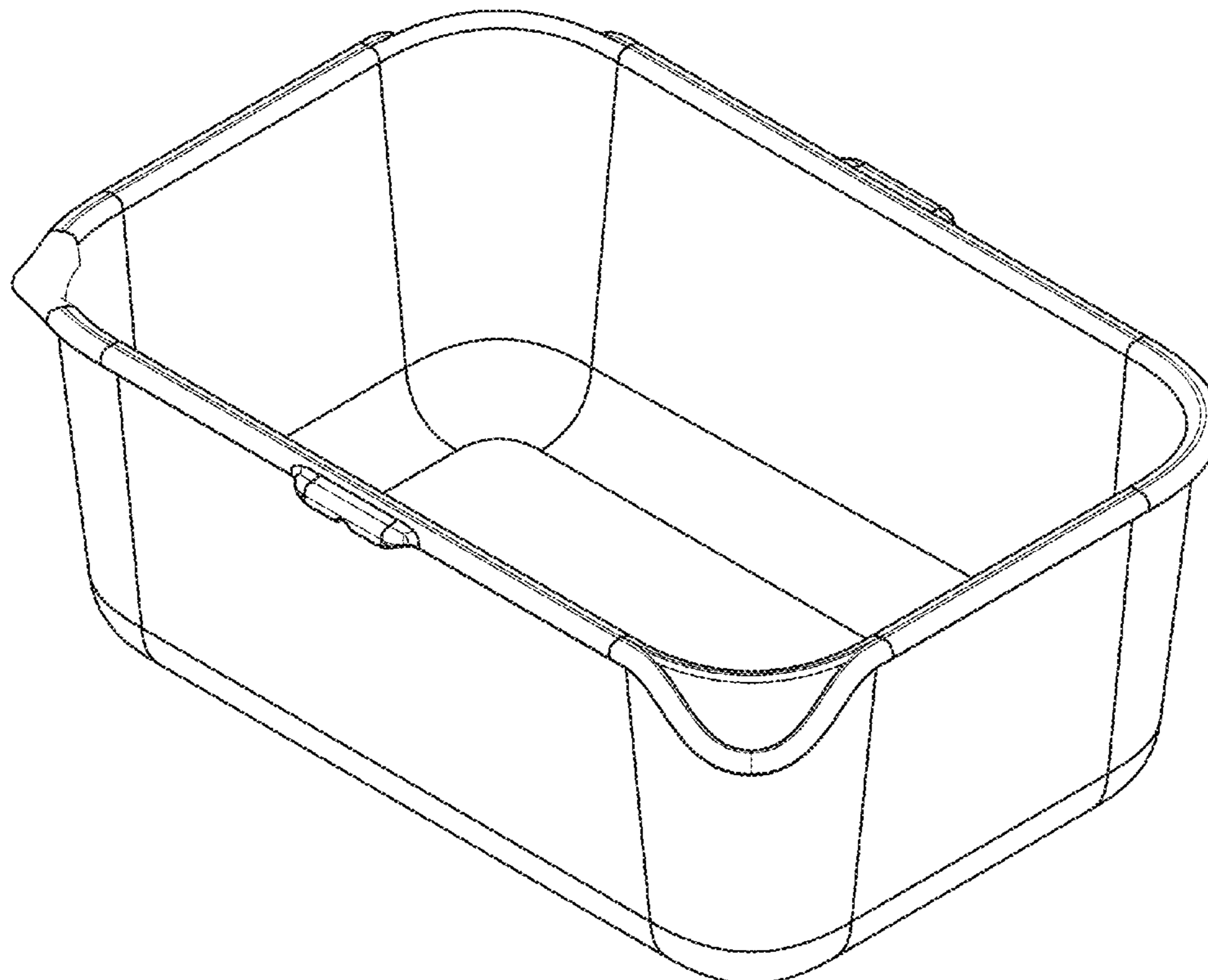
FIG. 5 is an opposite side elevation view thereof.

FIG. 6 is a rear elevation view thereof; and,

FIG. 7 is a bottom plan view thereof.

The broken lines in the figures illustrate the portions of the design that form no part of the claimed design.

1 Claim, 7 Drawing Sheets



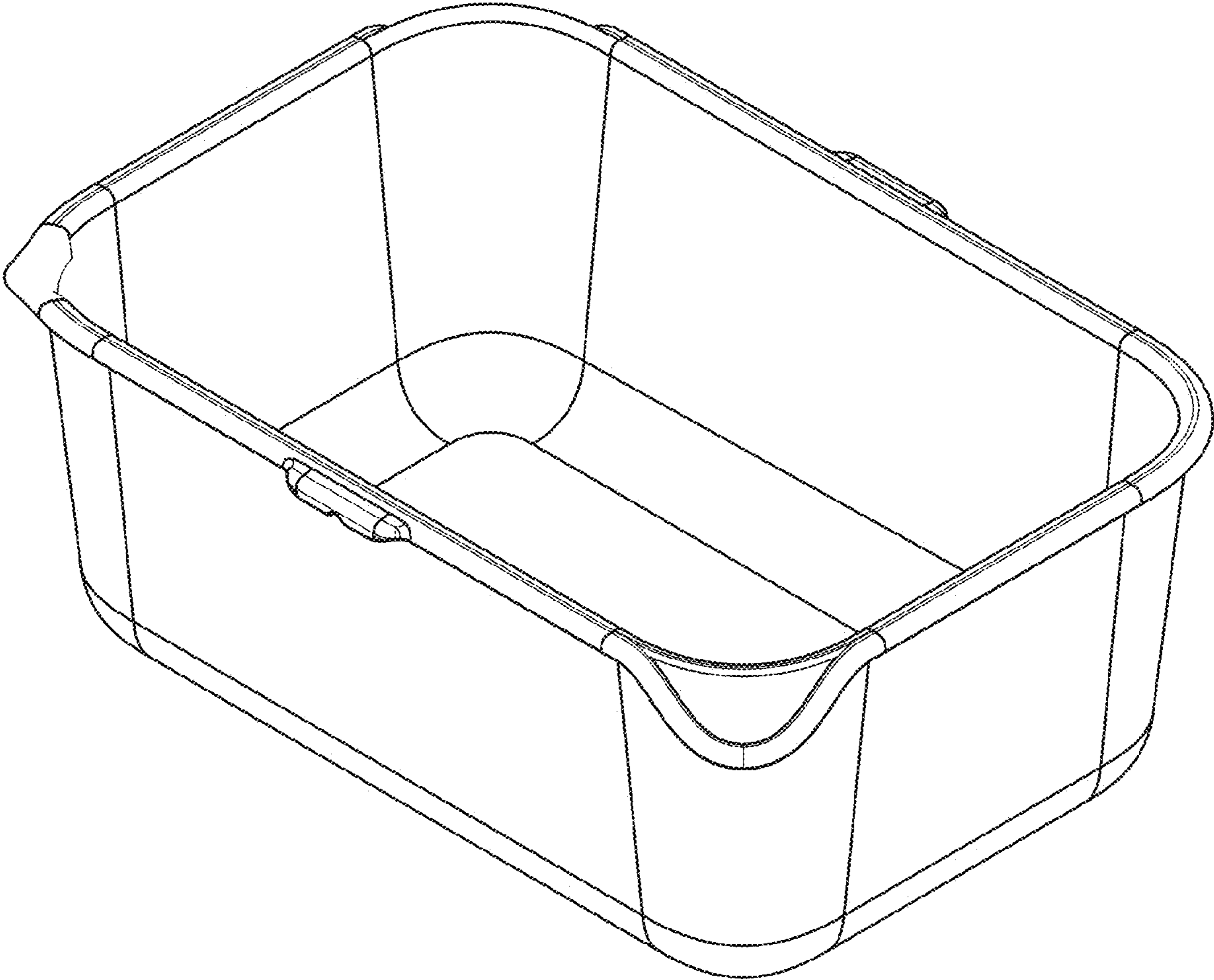


FIG. 1

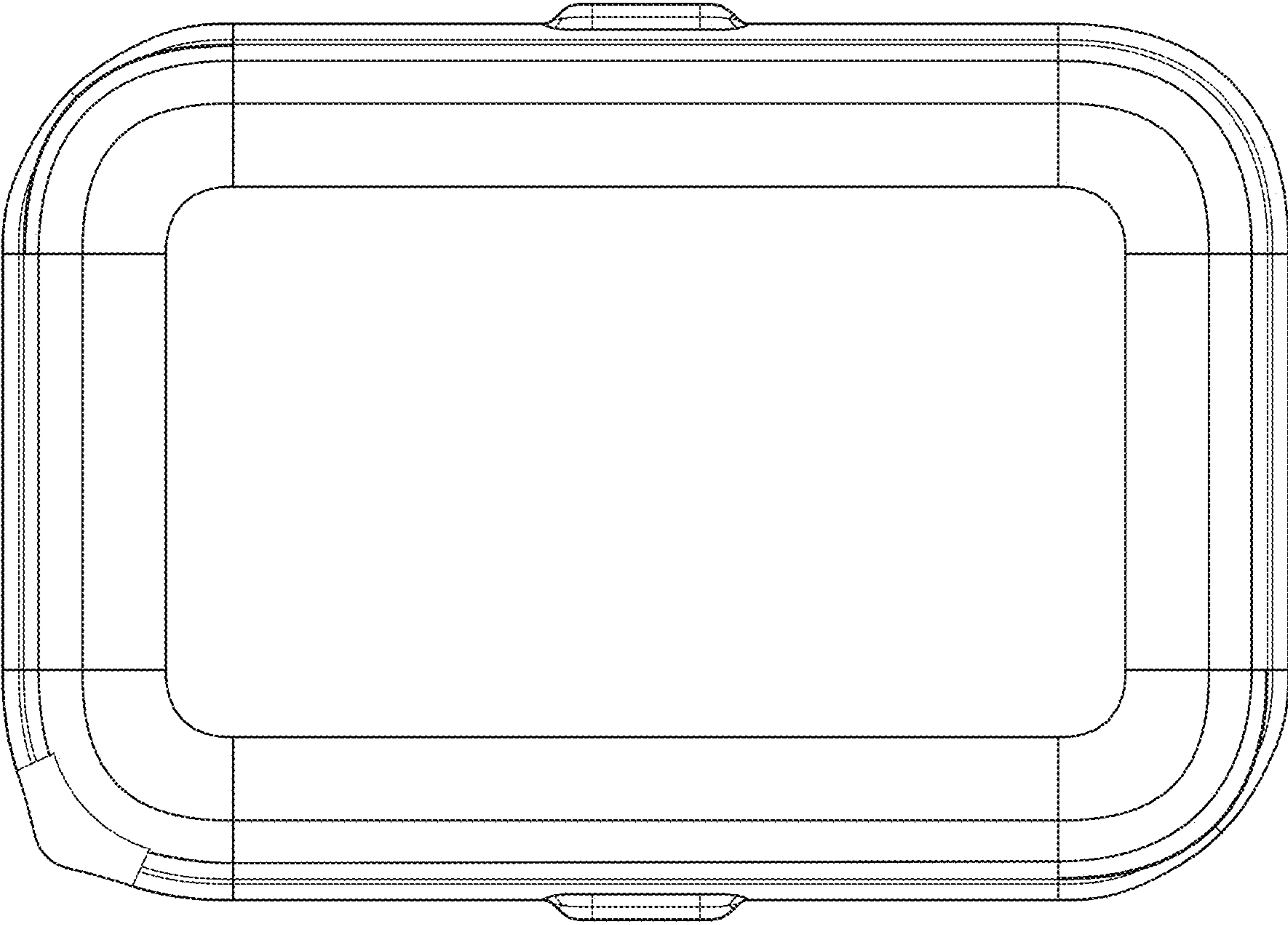


FIG. 2

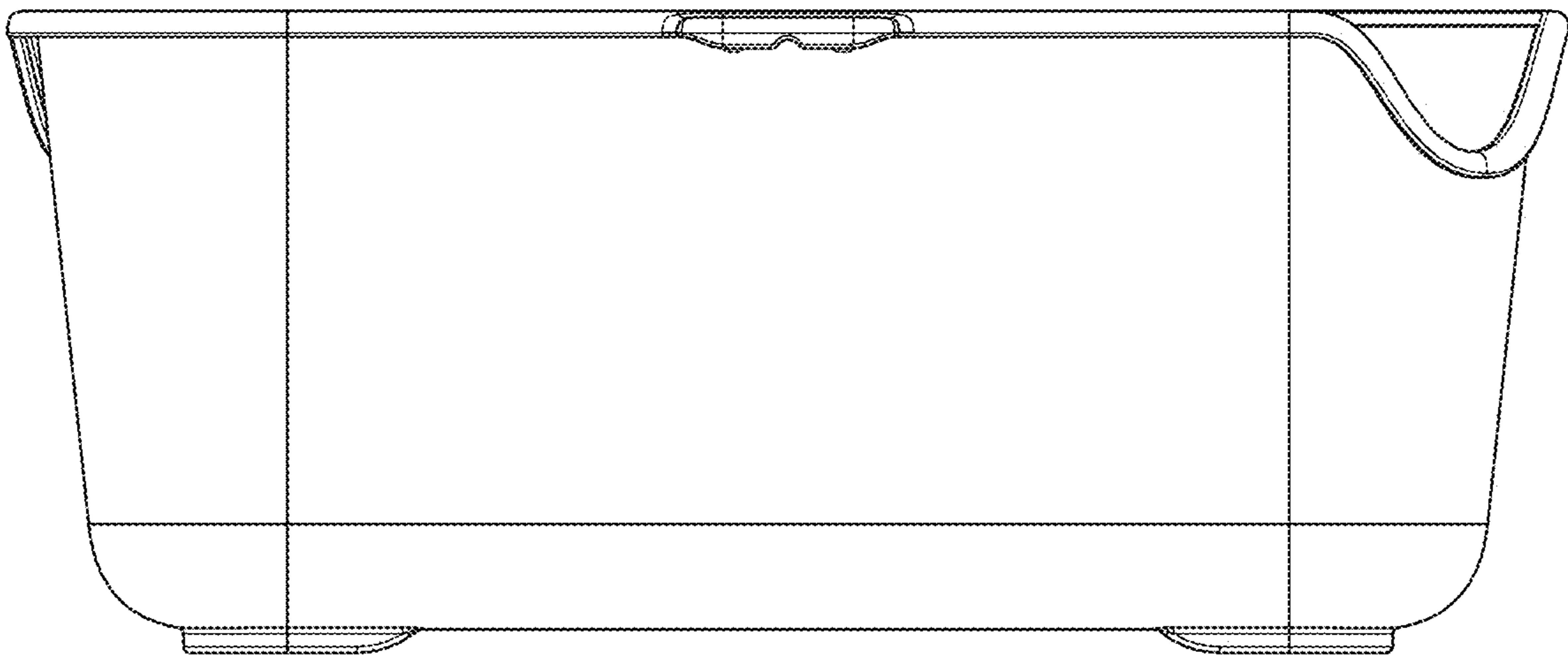


FIG. 3

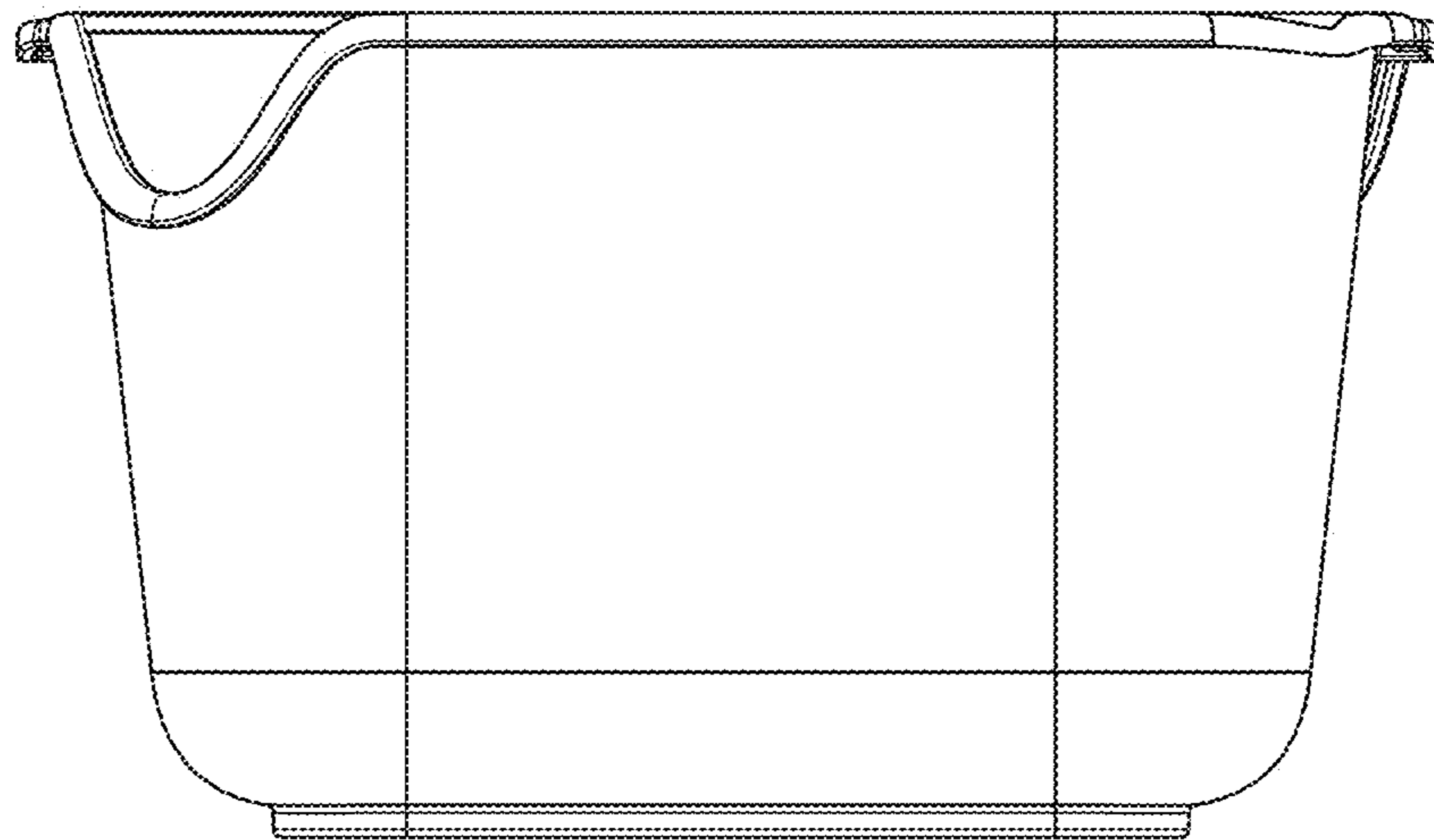


FIG. 4

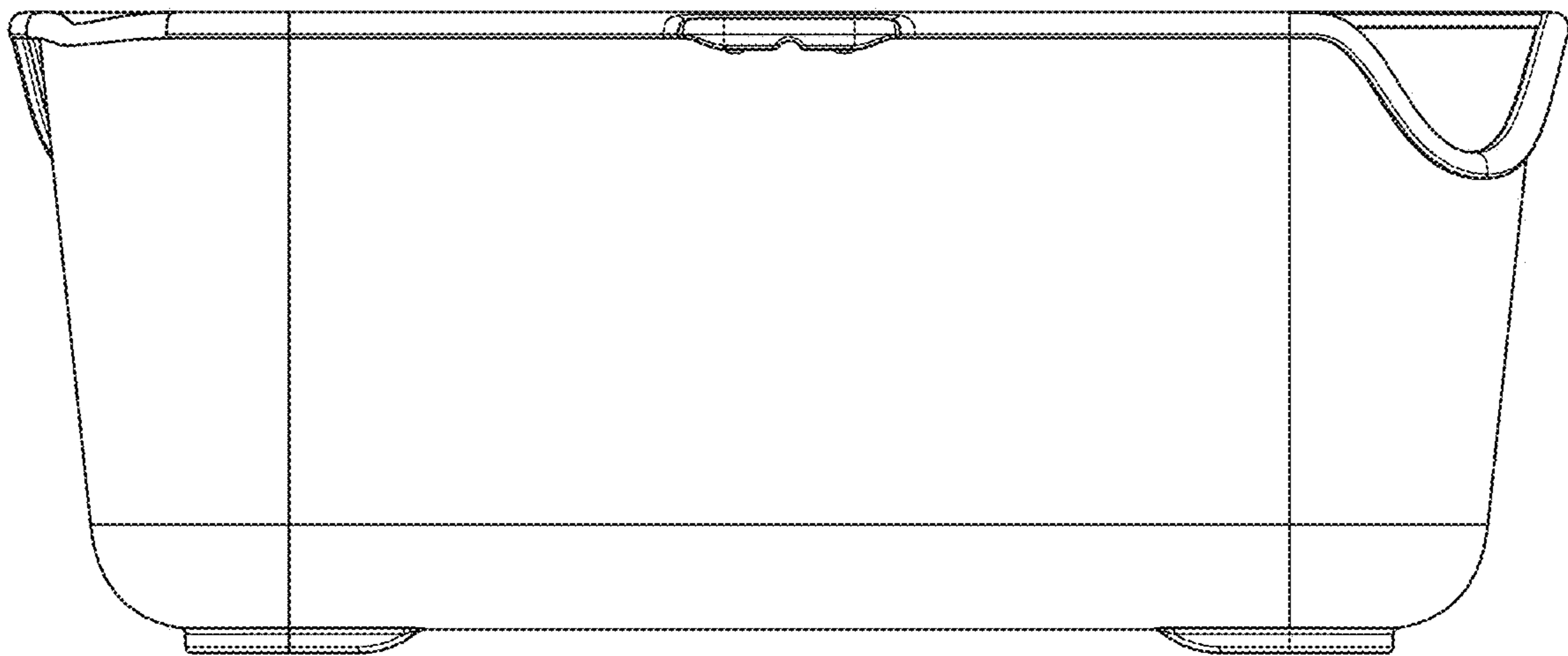


FIG. 5

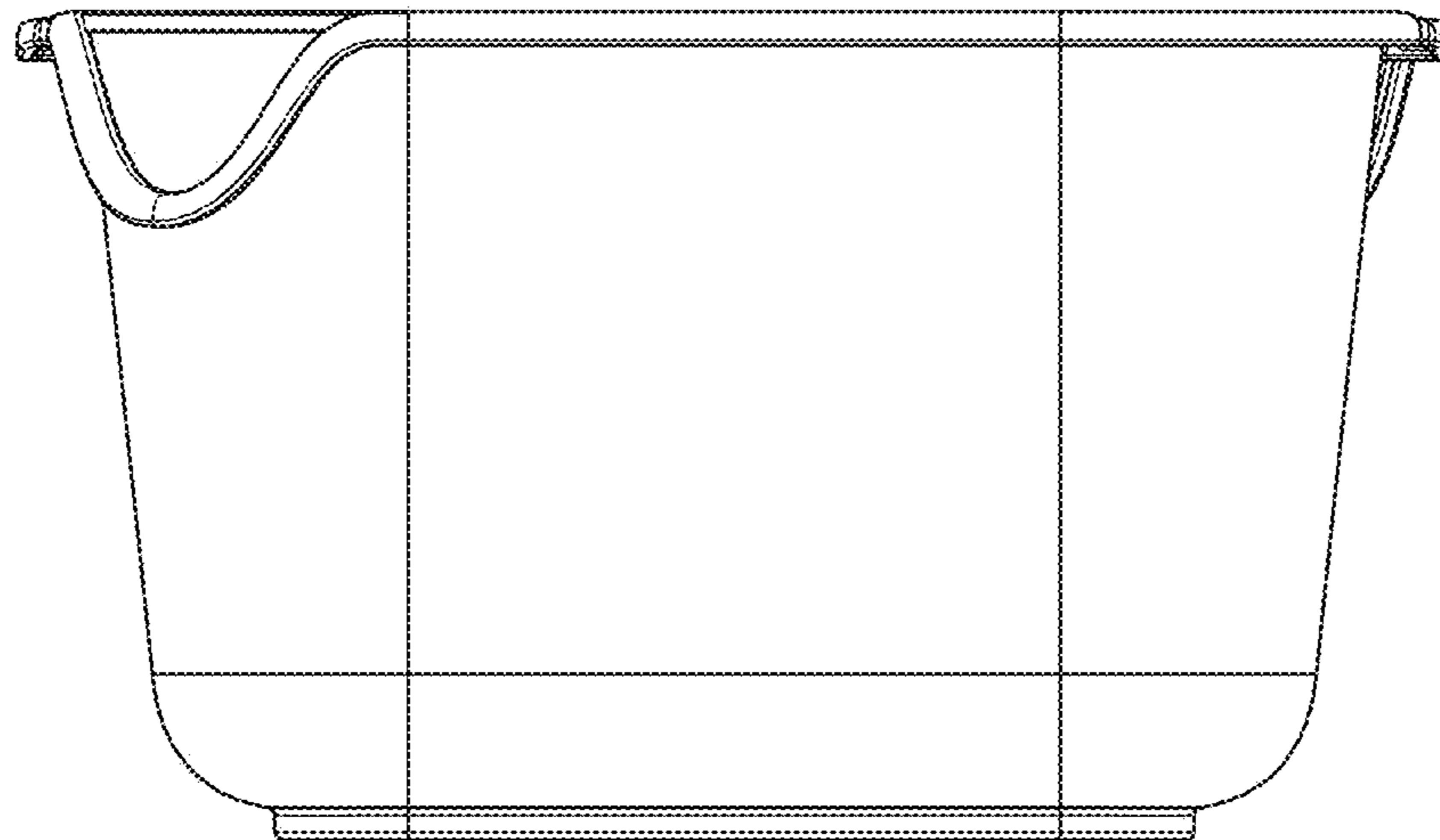


FIG. 6

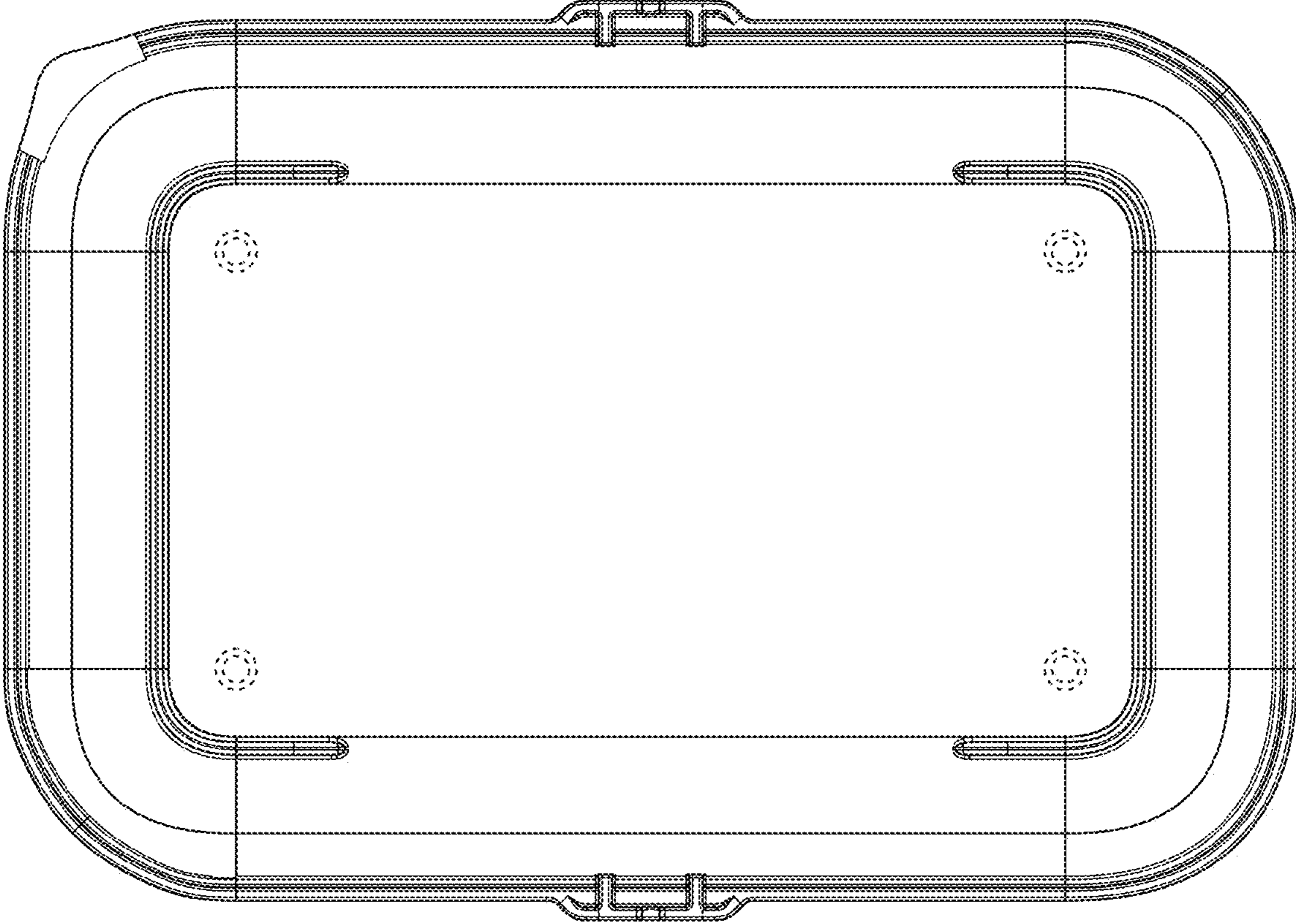


FIG. 7