



US00D916583S

(12) **United States Design Patent** (10) **Patent No.:** **US D916,583 S**
Pejic (45) **Date of Patent:** **** Apr. 20, 2021**

(54) **BRACKET APPLIED TO A WINDOW TREATMENT**

4,771,966 A 9/1988 Anderson
D322,211 S 12/1991 Gary
D327,192 S 6/1992 Geuvjehizian

(Continued)

(71) Applicant: **Lutron Technology Company LLC**,
Coopersburg, PA (US)

FOREIGN PATENT DOCUMENTS

(72) Inventor: **Vladislav Pejic**, Allentown, PA (US)

BE 200900404 9/2011
DE 89 14 725.1 8/1990

(73) Assignee: **Lutron Technology Company LLC**,
Coopersburg, PA (US)

(Continued)

(**) Term: **15 Years**

OTHER PUBLICATIONS

(21) Appl. No.: **29/730,937**

Coulisse, Absolute Roller Blind 2.0 Brochure, Aug. 2015, 124 pages.

(22) Filed: **Apr. 9, 2020**

(Continued)

Related U.S. Application Data

(63) Continuation of application No. 29/616,079, filed on Sep. 1, 2017, now Pat. No. Des. 883,776.

Primary Examiner — Keli L Hill

Assistant Examiner — Harold E Blackwell, II

(51) **LOC (13) Cl.** **08-05**

(74) *Attorney, Agent, or Firm* — Saidman DesignLaw Group, LLC

(52) **U.S. Cl.**

USPC **D8/381**; D8/356; D8/376

(58) **Field of Classification Search**

USPC D8/376, 355, 363, 349, 356, 377, 382,
D8/383, 381; D6/576, 580, 579

CPC Y10S 160/901; B60J 1/205; B60J 1/2069;
B66D 1/39; A47H 5/06

See application file for complete search history.

(57) **CLAIM**

The ornamental design for a bracket applied to a window treatment, as shown and described.

DESCRIPTION

FIG. 1 is a perspective view of a bracket applied to a window treatment showing my new design;

FIG. 2 is another perspective view thereof;

FIG. 3 is a front view thereof;

FIG. 4 is a rear view thereof;

FIG. 5 is a left side view thereof;

FIG. 6 is a right side view thereof;

FIG. 7 is a top view thereof; and,

FIG. 8 is a bottom view thereof.

The broken lines illustrate structure or features which form no part of the claimed design.

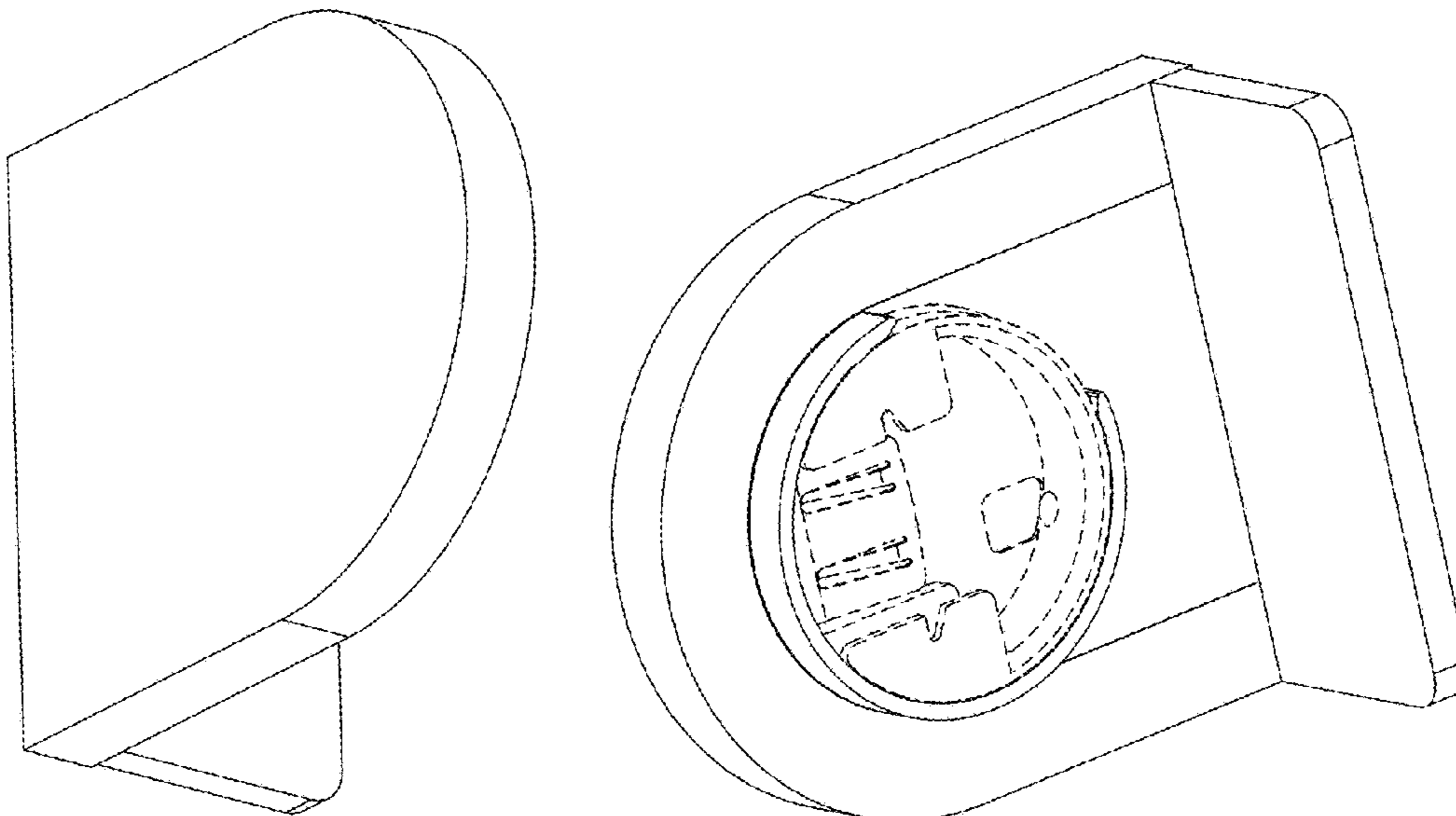
The drawings include CAD lines which represent contour and not surface ornamentation.

(56) **References Cited**

U.S. PATENT DOCUMENTS

846,089 A 3/1907 Cannon
1,557,419 A * 10/1925 Clarke A47B 65/00
211/43
2,031,698 A 2/1936 Fanzoi
2,108,939 A 2/1938 Lewis
D161,199 S 12/1950 Perelman
D182,161 S 2/1958 Bulman
4,368,771 A 1/1983 Hopper

1 Claim, 4 Drawing Sheets



(56)

References Cited

U.S. PATENT DOCUMENTS

D336,580 S 6/1993 White et al.
 D355,094 S 2/1995 Josephson
 5,651,487 A 7/1997 Hansen
 D422,886 S 4/2000 Shea
 7,207,371 B2 4/2007 Hsu
 D547,985 S 8/2007 Kubota
 7,267,311 B2 9/2007 Jung
 D622,993 S 9/2010 Park et al.
 7,849,907 B2 12/2010 Jang
 D632,118 S 2/2011 Clarke
 7,931,069 B2 4/2011 Cannaverde et al.
 D669,771 S 10/2012 Geiger
 8,307,879 B2 11/2012 Lin
 D694,039 S 11/2013 Licciardi Di Stefano
 D695,042 S 12/2013 Licciardi Di Stefano
 D705,040 S 5/2014 Konrad et al.
 D712,727 S 9/2014 Geiger
 8,967,568 B2 3/2015 Wills et al.
 D731,876 S 6/2015 Di Stefano
 9,045,939 B2 6/2015 Blair et al.
 D733,536 S 7/2015 Di Stefano
 D733,537 S * 7/2015 Di Stefano D8/363
 D740,108 S * 10/2015 Di Stefano D8/363
 D741,697 S * 10/2015 McGrath D8/382
 9,237,821 B2 1/2016 Geiger
 D758,827 S 6/2016 Grasselli et al.
 9,587,429 B2 3/2017 Cheng
 D791,581 S * 7/2017 Lin D8/356
 D798,133 S * 9/2017 Ng D8/380
 9,840,870 B2 12/2017 Lu et al.
 D817,660 S 5/2018 Raiti
 9,988,839 B2 6/2018 Geiger
 D822,473 S * 7/2018 Ng D8/383
 10,309,461 B2 6/2019 Ng
 D874,183 S 2/2020 Pejic
 D883,776 S * 5/2020 Pejic D8/381
 2006/0118248 A1 6/2006 Anderson et al.
 2007/0175004 A1 8/2007 Chien
 2009/0250177 A1 10/2009 Byeon
 2009/0283226 A1 11/2009 Cheng
 2011/0067820 A1 3/2011 Hsu et al.
 2011/0139382 A1 6/2011 Daniels
 2011/0186246 A1 8/2011 Lin
 2012/0043029 A1 2/2012 Gaskill et al.
 2012/0255686 A1 10/2012 Huang
 2013/0255894 A1 10/2013 Kim
 2014/0069595 A1 3/2014 Chen
 2014/0182793 A1 7/2014 Byun
 2014/0231032 A1 8/2014 Blair
 2014/0251558 A1 9/2014 Chou
 2014/0262068 A1 9/2014 Buccola, Jr. et al.
 2014/0374036 A1 12/2014 Chen
 2015/0184454 A1 7/2015 Strand
 2016/0083999 A1 3/2016 Chen et al.
 2016/0130863 A1 * 5/2016 Cheng E06B 9/50
 160/179
 2016/0348428 A1 12/2016 Cheng
 2017/0096855 A1 4/2017 Chen
 2018/0023340 A1 1/2018 Goldberg et al.

2018/0112462 A1 * 4/2018 Chen E06B 9/50
 2018/0179812 A1 * 6/2018 Dubina E06B 9/42
 2019/0017321 A1 1/2019 Chen

FOREIGN PATENT DOCUMENTS

DE 2 354 430 A2 8/2011
 DE 20 2012 007 904 U1 1/2014
 JP 2013-14931 A 1/2013

OTHER PUBLICATIONS

Lovable Products From Coolaroo for Shade Sails or exteri, posted Jul. 27, 2017, [retrieved Mar. 27, 2018]. Retrieved from Internet, <URL: <http://www.marccharlessteakhouse.com/lovable-products-from-coolaroo-for-shade-sails-or-exterior-blinds-or-umbrellas-or-pet-beds-ideas/coolaroo-material-coolaroo-sun-shades-coolaroo/>>.
 How to Remove Coolaroo Exterior Sun Shades; posted Aug. 30, 2013, [retrieved Mar. 27, 2018]. Retrieved from Internet, <URL: <https://www.youtube.com/watch?v=8GFJ2UY3fVI>>.
 Roller Shade & Blackouts Installation, posted unknown, [retrieved Mar. 27, 2018]. Retrieved from Internet, <URL: <http://www.theshadedesigners.com/how-to-install/installation-rollershadesblackouts/>>.
 Coolaroo Exterior Sun Shade Idle End Unit, posted unknown, [retrieved Mar. 27, 2018]. Retrieved from Internet, <URL: <https://wholesaleblindparts.com/products/copy-of-coolaroo-exterior-sun-shade-cordless-crank-kit>>.
 Coolaroo, Exterior Roller Sun Shade Installation Instructions, Apr. 2012, 12 pages.
 Coolaroo, Cordless Sun Shade Installation Instructions, Jun. 2013, 12 pages.
 Somfy Systems, Inc., Motor Catalog, Dec. 2003 (78 pages).
 Lutron Electronics Co., Inc., Sivoia QS Roller 64 Shades Specification Submittal, 2007 (16 pages).
 Lutron Electronics Co., Inc., Sivoia QED Roller 20 Shades Product Specification, 2008 (14 pages).
 The Shade Store Blog, “Go for the Cold, Silver, or Bronze Window Treatment Hardware”, posted Aug. 1, 2012 [retrieved Aug. 21, 2019], Retrieved from Internet, <URL: <https://www.theshadestore.com/blog/go-for-the-gold-silver-or-bronze-window-treatment-hardware/>>.
 The Shade Store Blog, “How to Hang Roller Shades: Regular or Reverse Roll”, posted Sep. 19, 2016 [retrieved Aug. 21, 2019]. Retrieved from Internet, <URL: <https://www.theshadestore.com/blog/how-to-hang-roller-shades/>>.
Geigtech East Bay LLC v. Lutron Electronics Co., Inc., U.S. District Court for the Southern District of New York, Complaint (including Exhibits A & B), Case No. 1:18-cv-05290-CM, filed Jun. 12, 2018, 97 pages.
 Spectrum White Plastic Wall Mount Folding Paper Towel Holder. Amazon.com. Oct. 2, 2001. Accessed Jun. 16, 2019. (Year: 2001).
 Aura Shading by Tillys Interiors Ltd. Accessed on Jun. 16, 2019. (Year: 2019).
 Ambio Roller Shades by Altex Window Fashions. Accessed on Jun. 14, 2019. (Year: 2019).
 U.S. Appl. No. 29/602,208, filed Apr. 28, 2017 (unpublished).

* cited by examiner

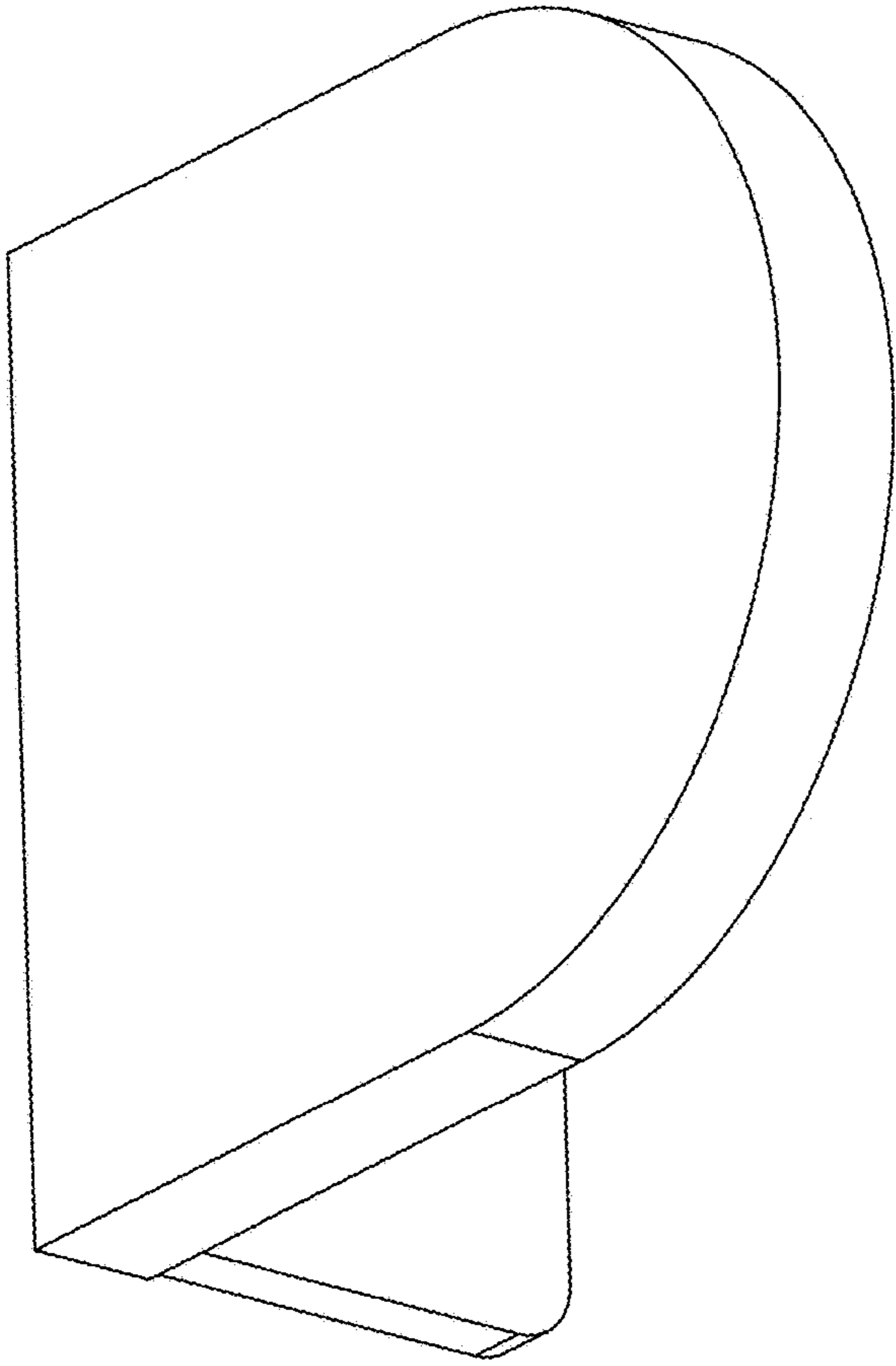


FIG. 1

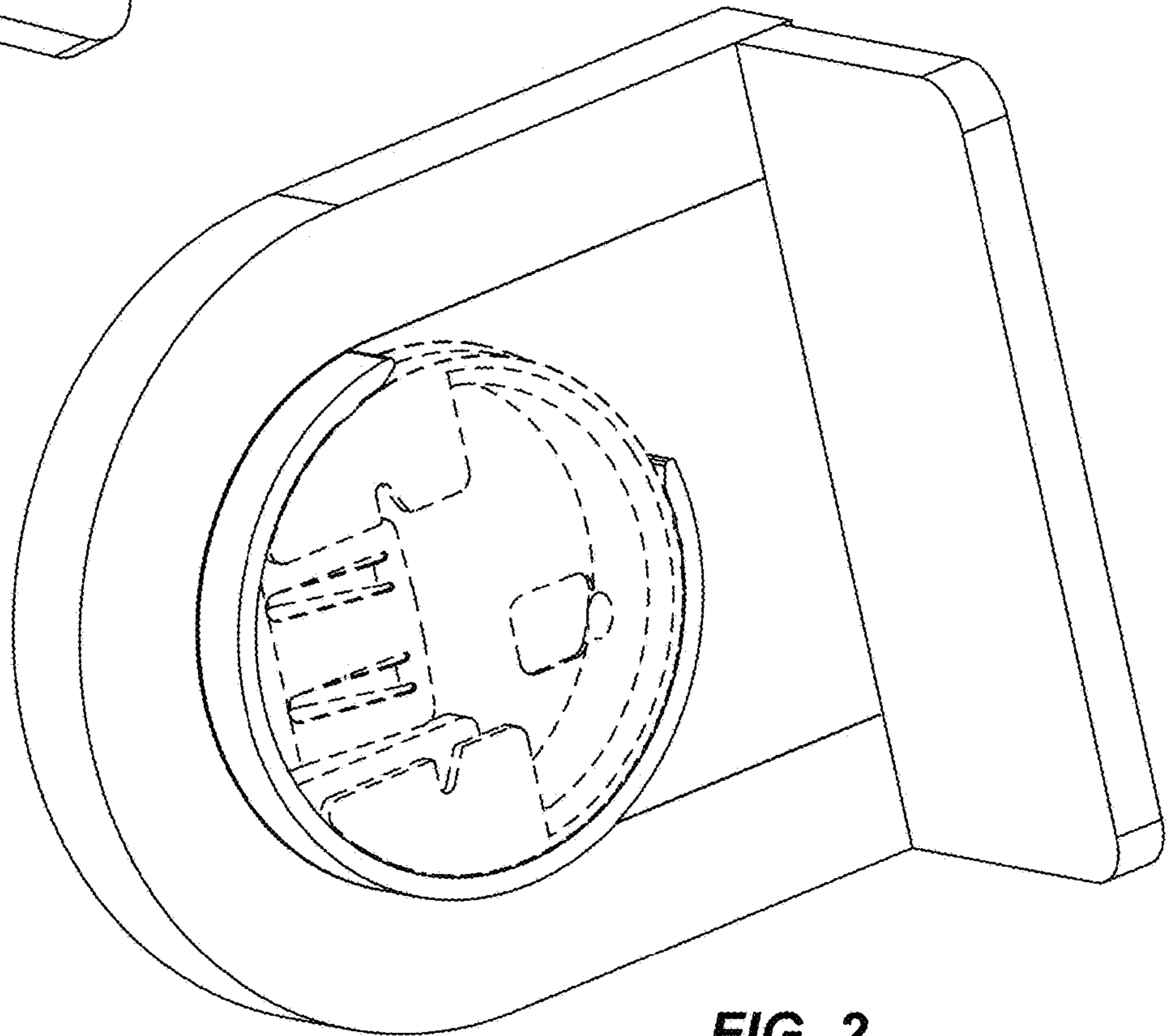


FIG. 2

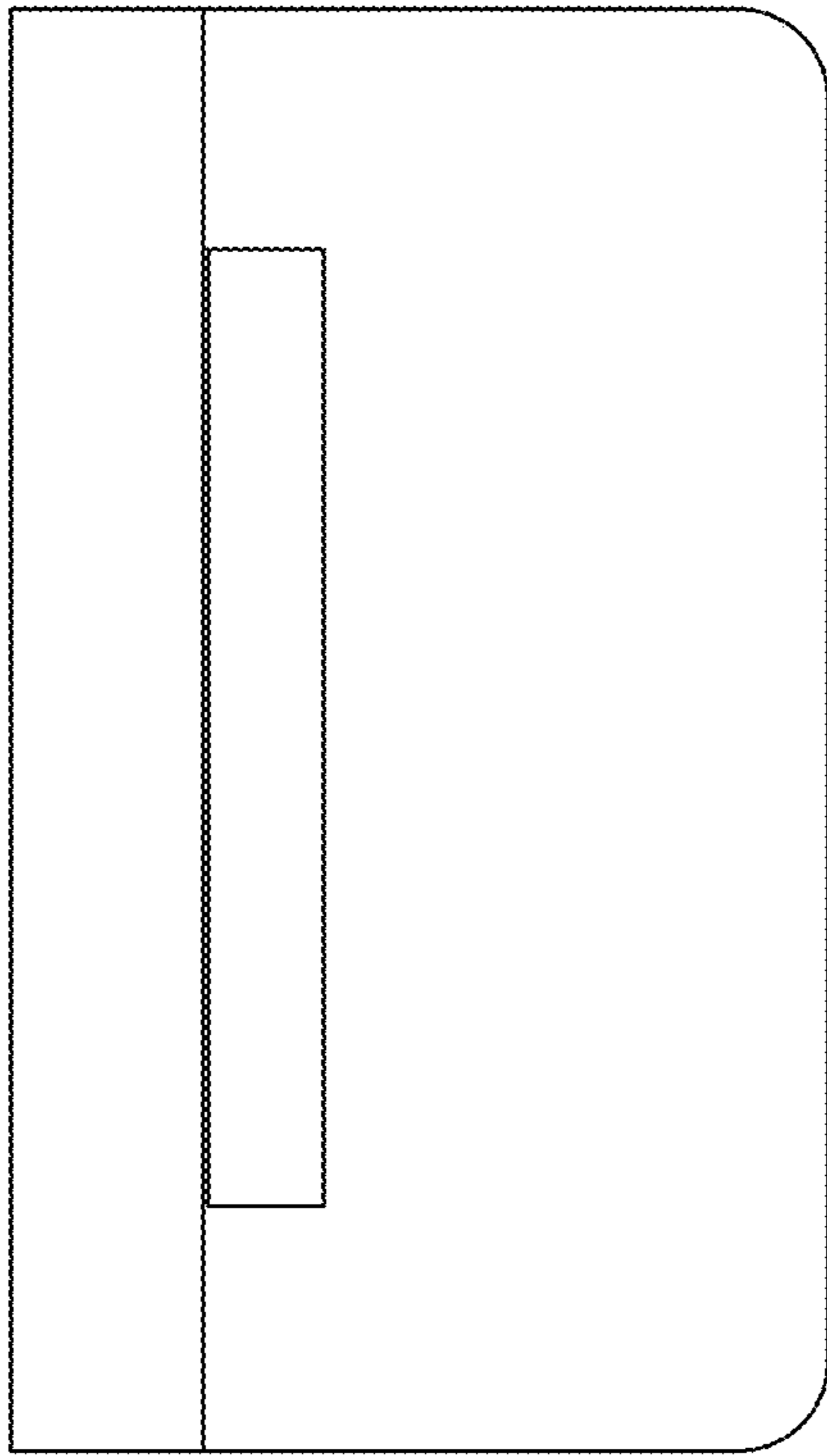


FIG. 3

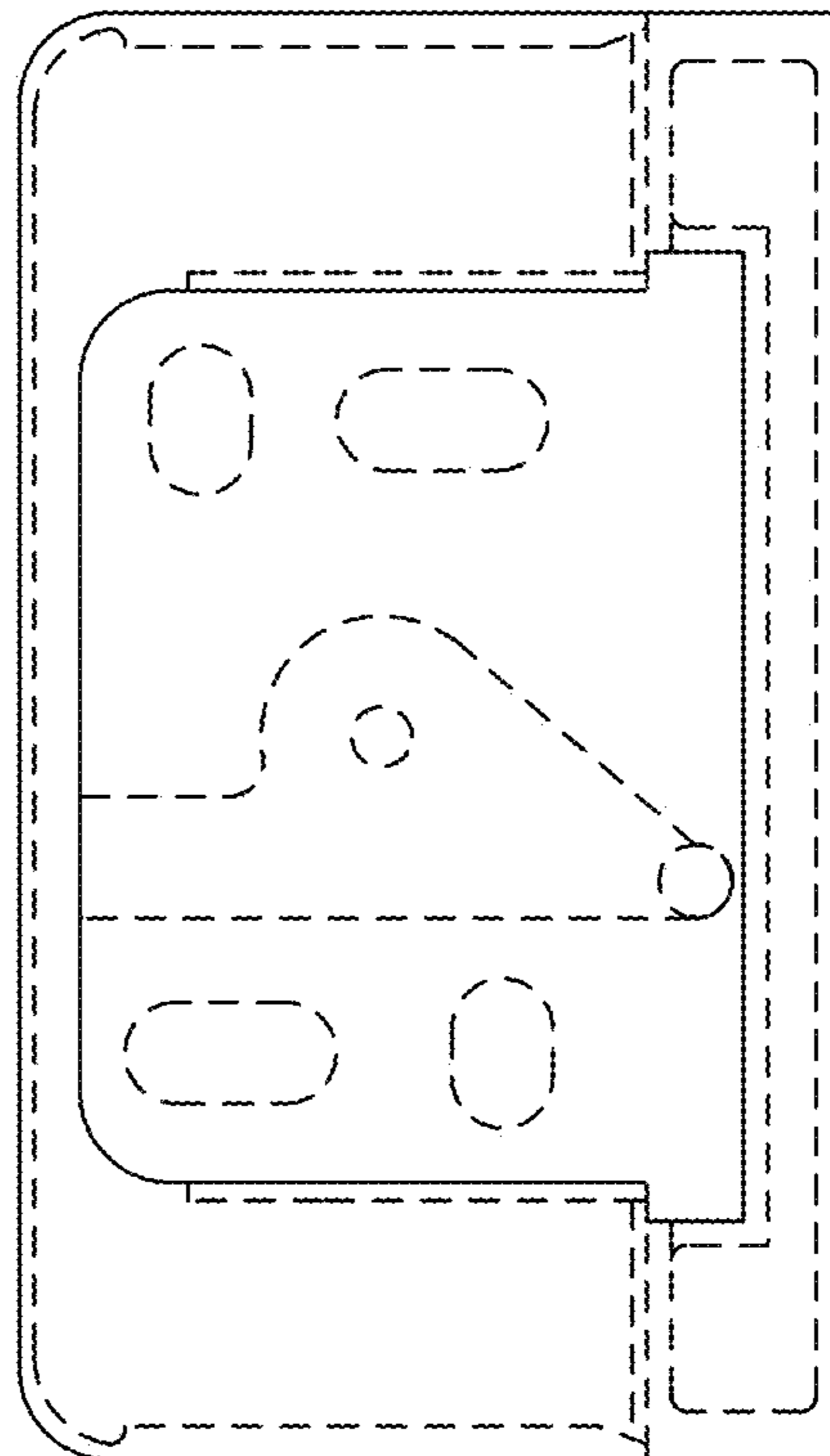


FIG. 4

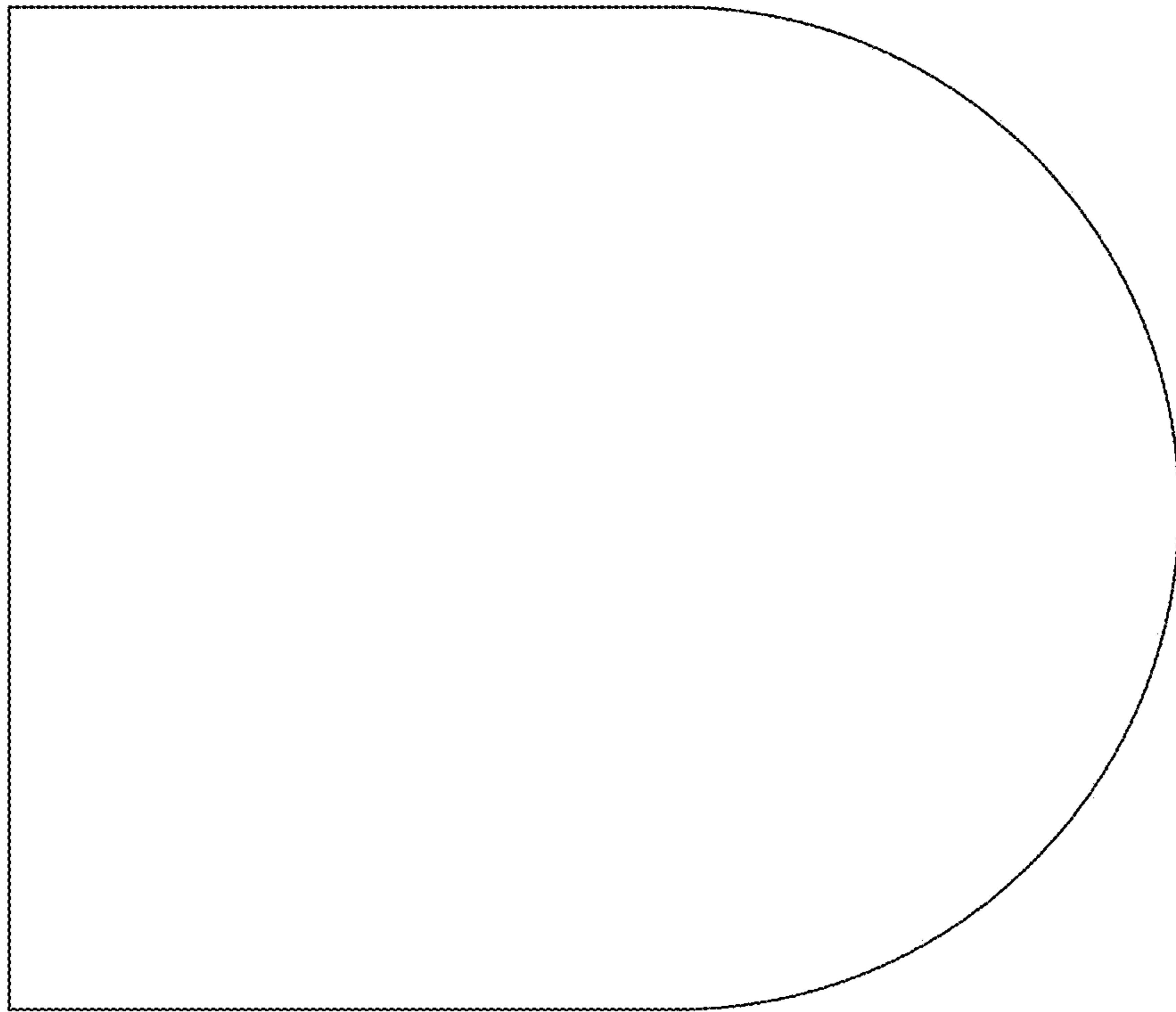


FIG. 5

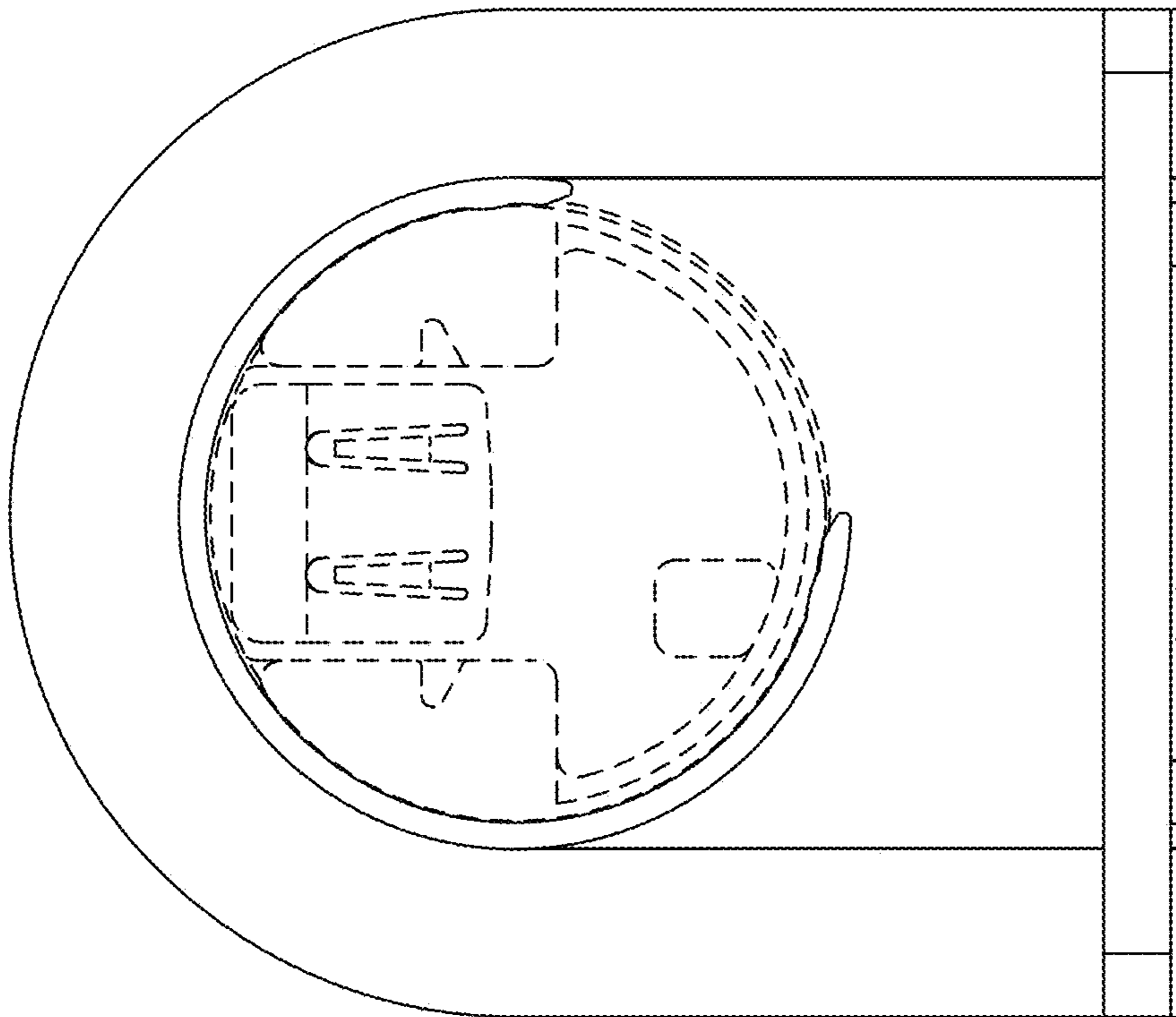


FIG. 6

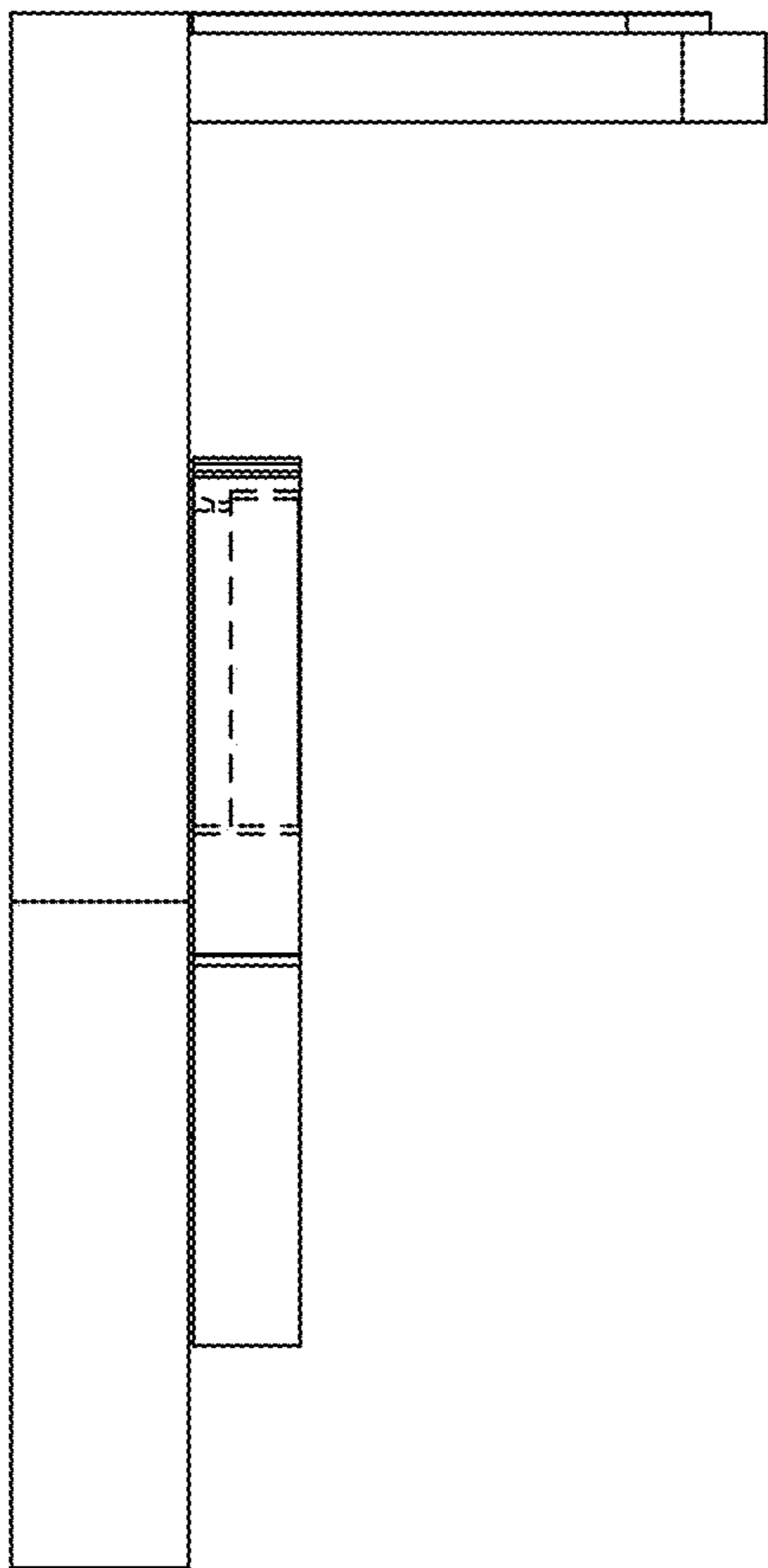


FIG. 7

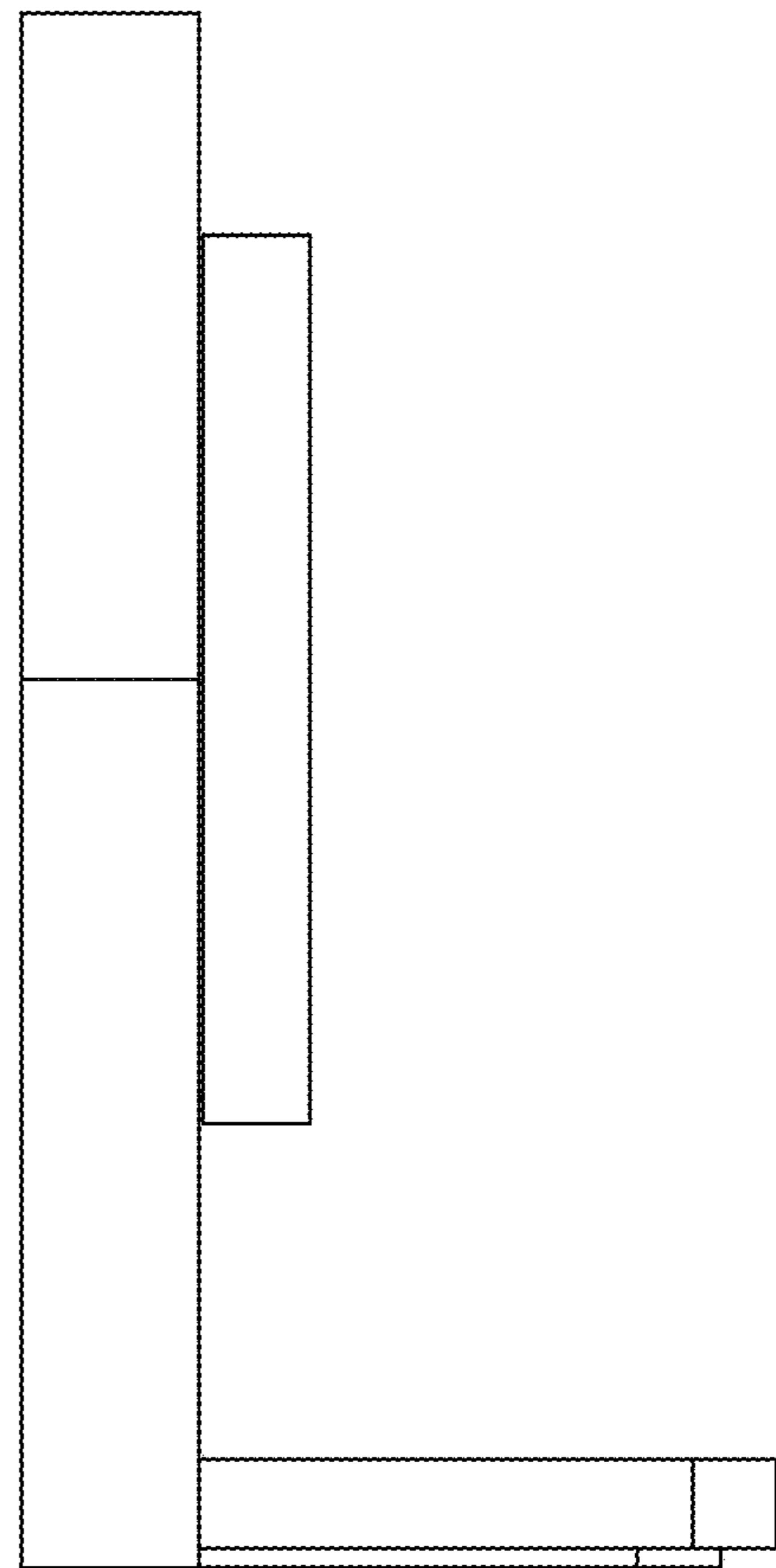


FIG. 8

UNITED STATES PATENT AND TRADEMARK OFFICE
CERTIFICATE OF CORRECTION

PATENT NO. : D916,583 S
APPLICATION NO. : 29/730937
DATED : April 20, 2021
INVENTOR(S) : Vladislav Pejic

Page 1 of 1

It is certified that error appears in the above-identified patent and that said Letters Patent is hereby corrected as shown below:

On the Title Page

Item [56], Page 2, Column 2, Line 7 delete:

“DE 2 354 430 A2 8/2011”

Insert:

--EP 2 354 430 A2 8/2011--.

Signed and Sealed this
Fifteenth Day of February, 2022



Drew Hirshfeld
*Performing the Functions and Duties of the
Under Secretary of Commerce for Intellectual Property and
Director of the United States Patent and Trademark Office*