



US00D916582S

(12) **United States Design Patent** (10) **Patent No.:** **US D916,582 S**
Cohen et al. (45) **Date of Patent:** **** Apr. 20, 2021**

(54) **ACCESSORY ATTACHMENT RACK**

(71) Applicant: **Santiva Outdoors, L.L.C.—Series IP**,
Dallas, TX (US)

(72) Inventors: **William Jason Cohen**, Dallas, TX
(US); **Tomas Luis Ortiz Ferrer**, Hong
Kong (CN)

(73) Assignee: **SANTIVA OUTDOORS**,
L.L.C.—SERIES IP, Dallas, TX (US)

(**) Term: **15 Years**

(21) Appl. No.: **29/681,056**

(22) Filed: **Feb. 22, 2019**

(51) **LOC (13) Cl.** **08-05**

(52) **U.S. Cl.**
USPC **D8/354**

(58) **Field of Classification Search**
USPC D8/354
CPC B60P 7/0815
See application file for complete search history.

(56) **References Cited**

U.S. PATENT DOCUMENTS

D330,135 S * 10/1992 Furner D14/447
D489,960 S * 5/2004 Grendahl D8/354
D575,220 S * 8/2008 Pockalny D12/223
D700,825 S * 3/2014 Furling D8/354
2019/0337440 A1 * 11/2019 Westfall F16B 9/056

OTHER PUBLICATIONS

GOFR, posted at gofroutdoors.com, posting date not given, [online],
[site visited Aug. 10, 2020]. Available from Internet, URL: <https://www.gofroutdoors.com/pages/brand> (Year: 2020).*

Yucheng Three Sided Accessory Display Rack, posted at alibaba.com, posting date not given, [online], [site visited Aug. 10, 2020]. Available from Internet, URL: https://www.alibaba.com/product-detail/-YUCHENG-Three-sided-custom-retail_1500488229.html (Year: 2020).*

* cited by examiner

Primary Examiner — George D. Kirschbaum

Assistant Examiner — Maria J. Edwards

(74) *Attorney, Agent, or Firm* — Jason H. Rosenblum;
Law Office of Jason H. Rosenblum, PLLC

(57) **CLAIM**

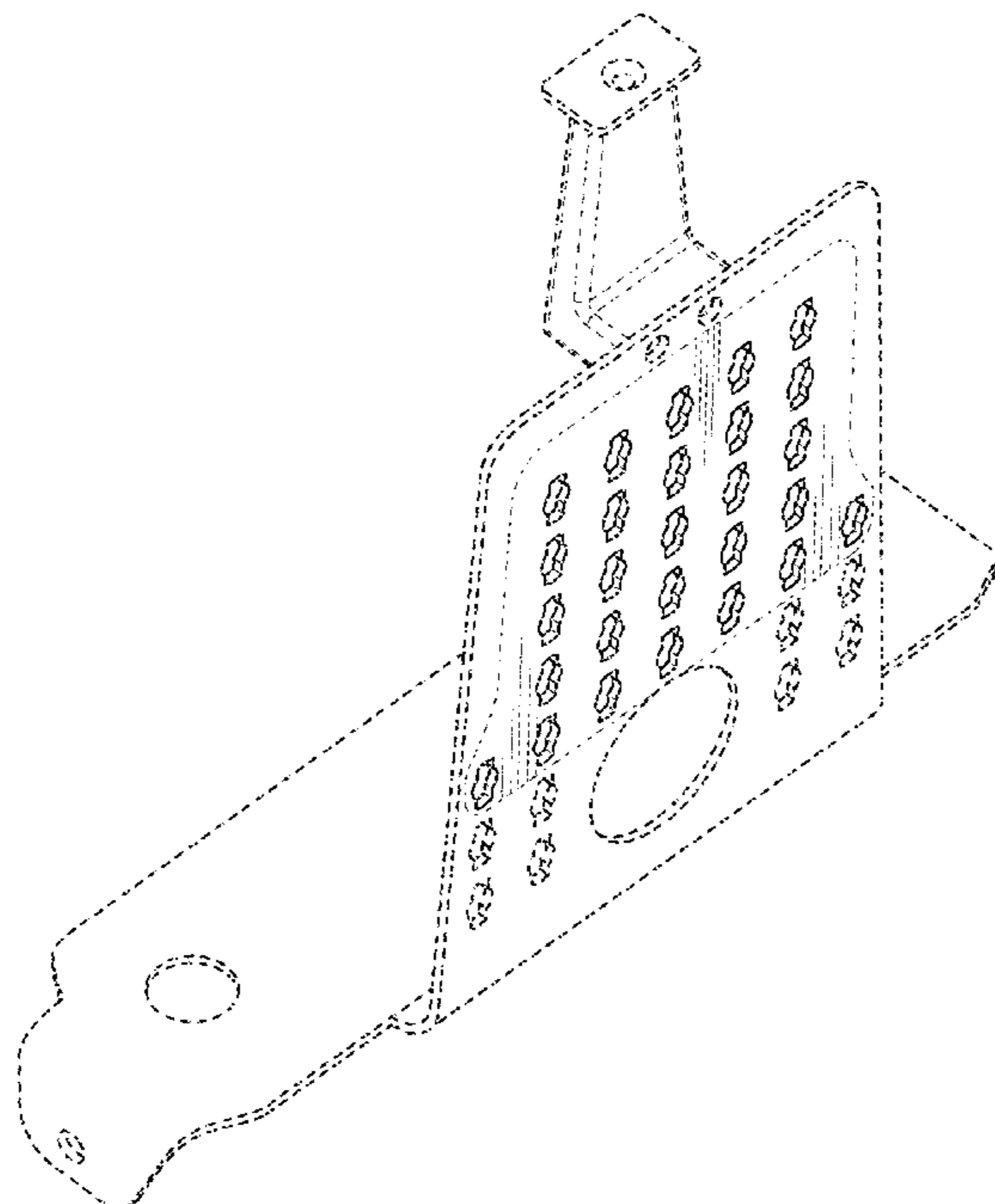
The ornamental design for an accessory attachment rack, as shown and described.

DESCRIPTION

FIG. 1 is a front view of an accessory attachment rack showing our new design;
FIG. 2 is a side view thereof;
FIG. 3 is a side view thereof;
FIG. 4 is a rear view thereof;
FIG. 5 is a bottom view thereof;
FIG. 6 is a top view thereof;
FIG. 7 is a front perspective view thereof; and,
FIG. 8 is a rear perspective view thereof.

The uniform broken lines illustrate portions of the article and form no part of the claimed design. The dot-dash broken lines depict a boundary of the design.

1 Claim, 8 Drawing Sheets



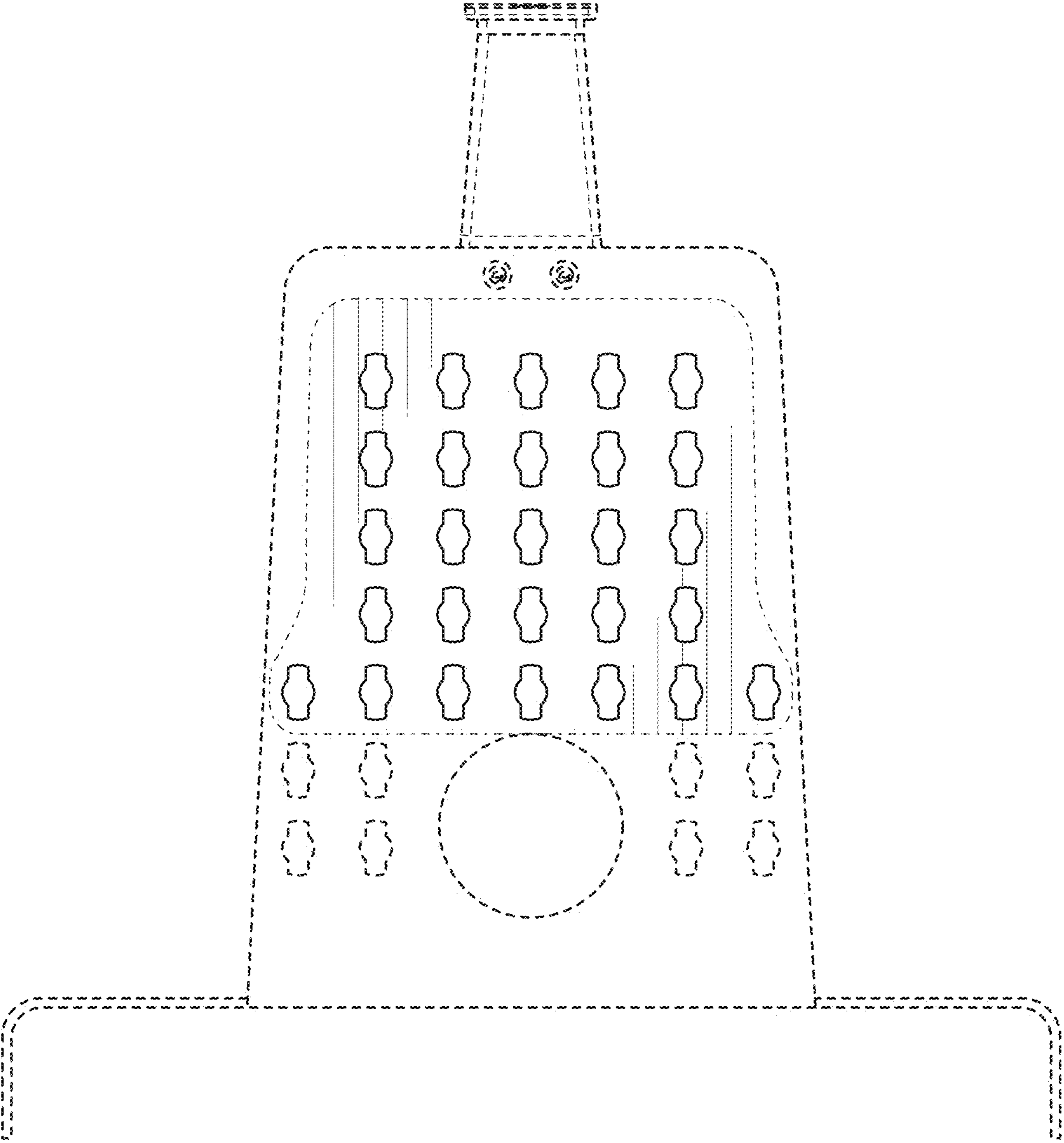


FIG. 1

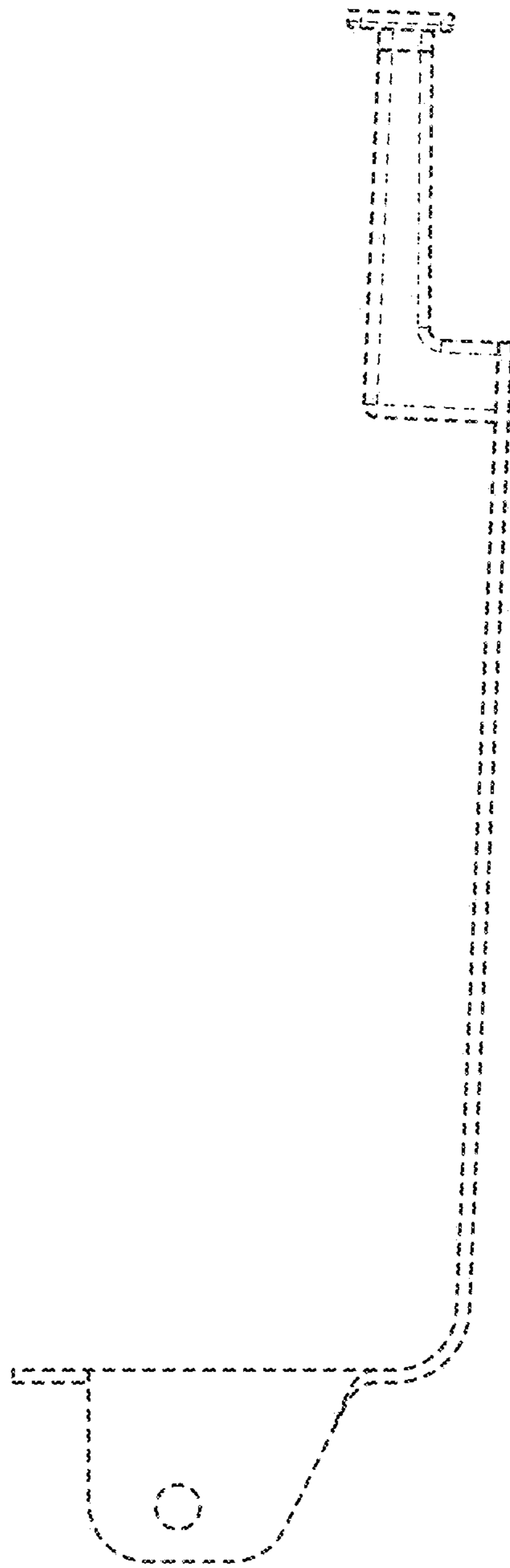


FIG. 2

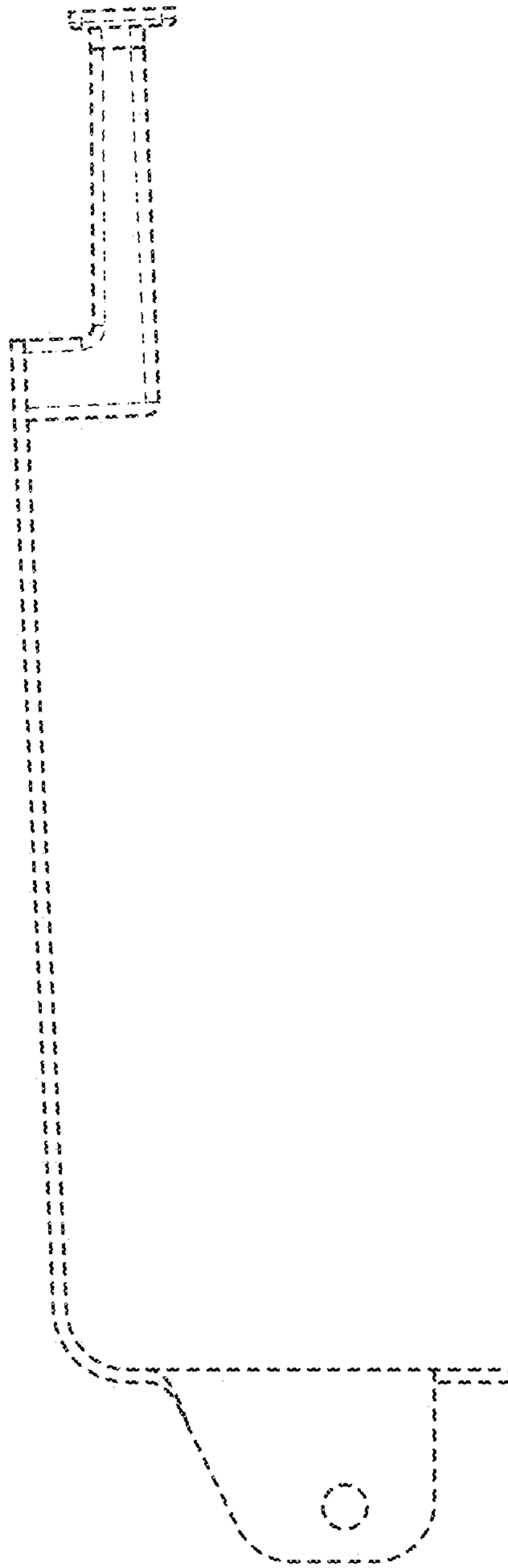


FIG. 3

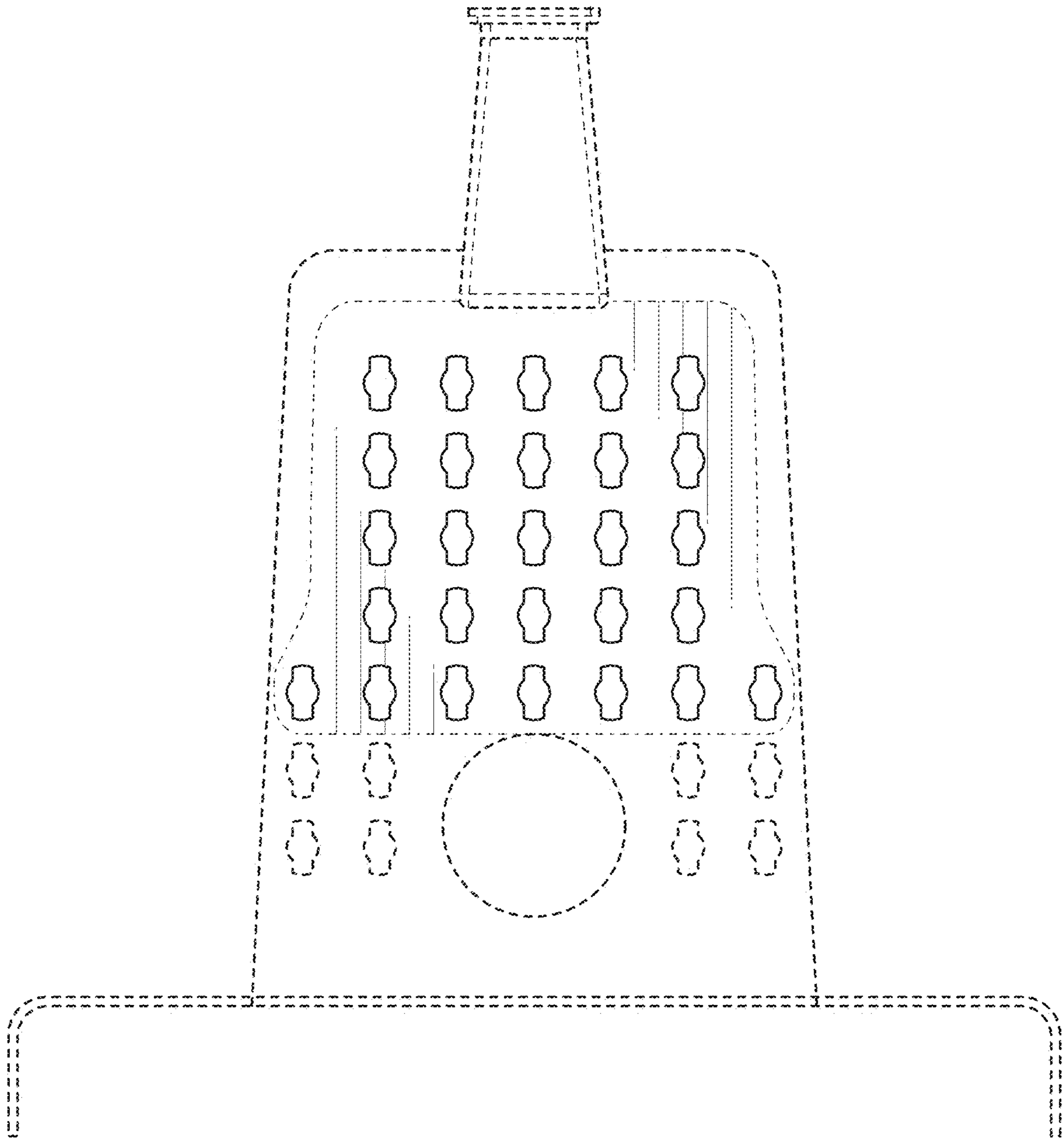


FIG. 4

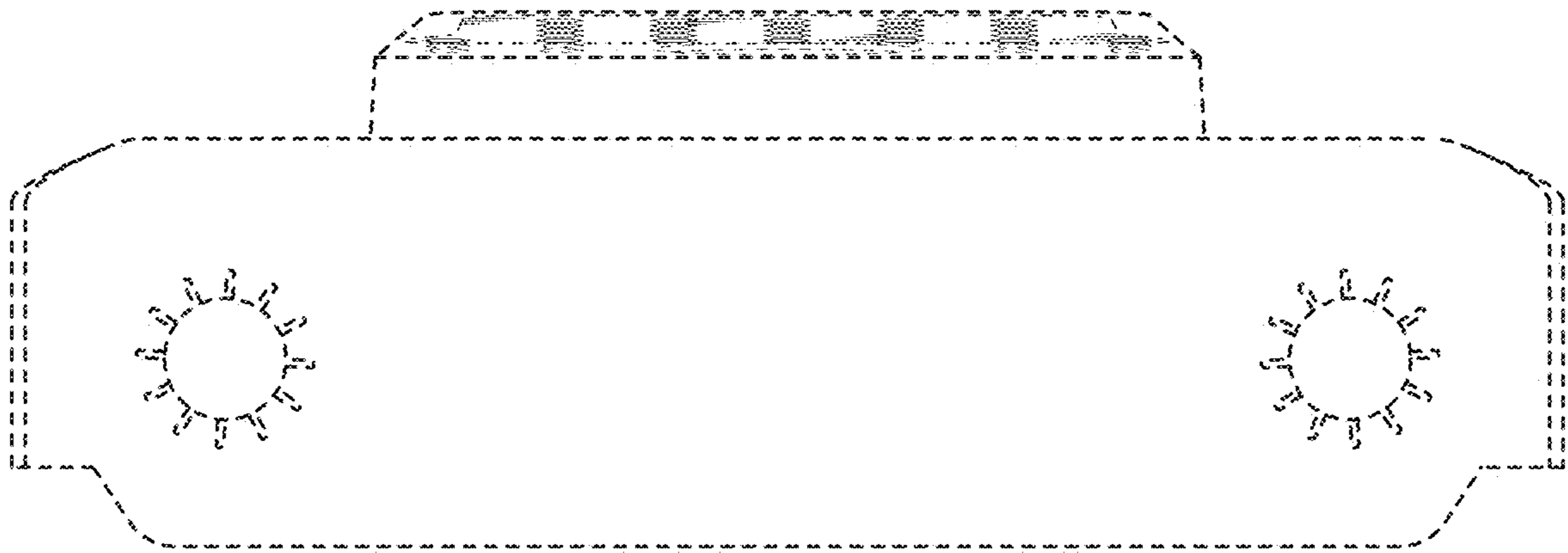


FIG. 5

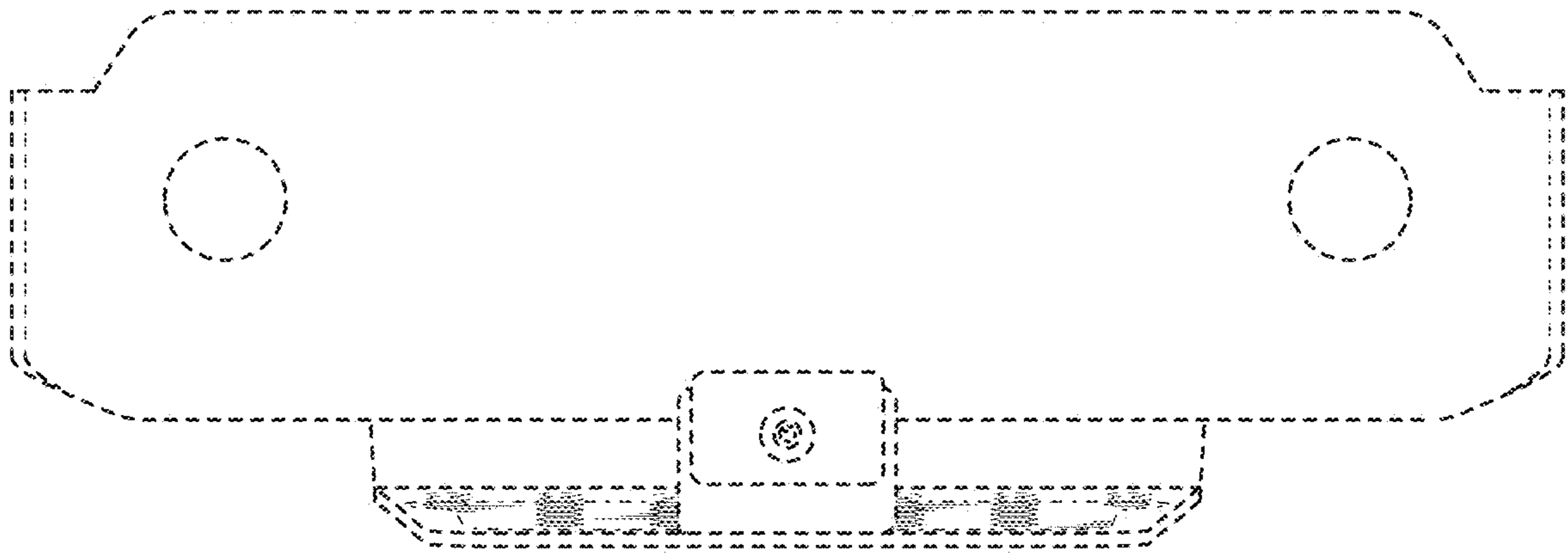


FIG. 6

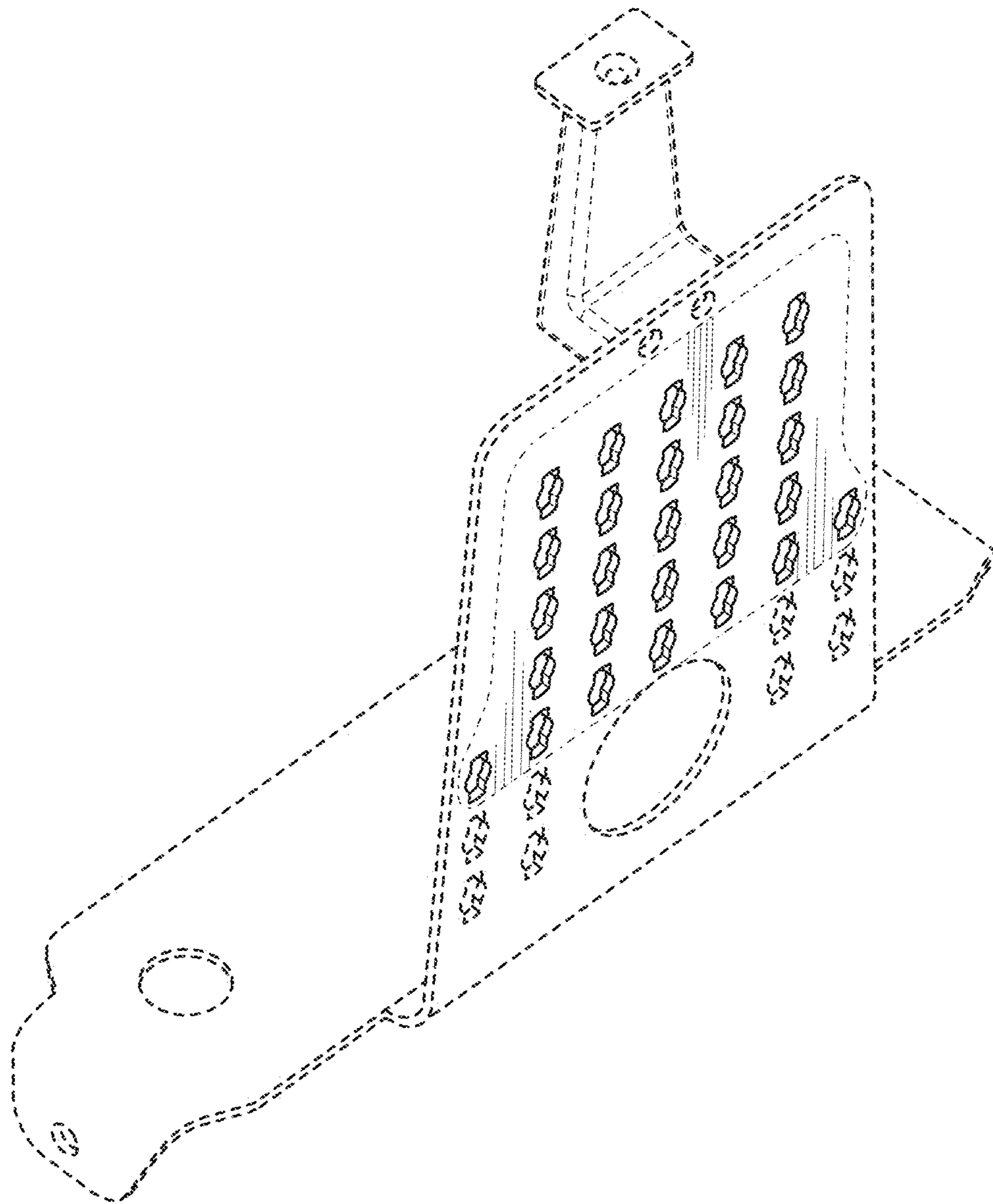


FIG. 7

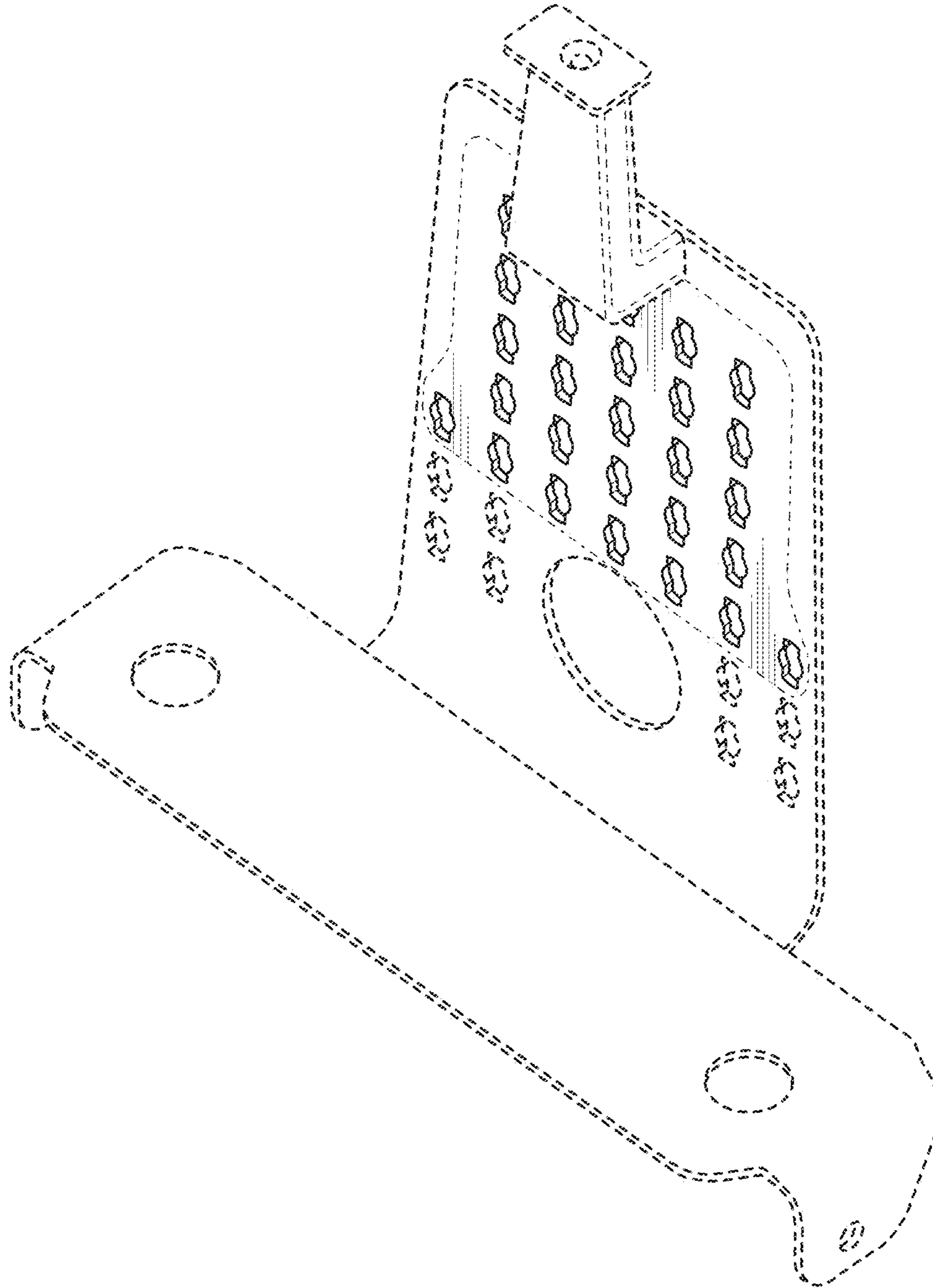


FIG. 8