



US00D916581S

(12) **United States Design Patent**  
**Axelsson et al.**

(10) **Patent No.:** **US D916,581 S**

(45) **Date of Patent:** **\*\* Apr. 20, 2021**

(54) **FASTENING DEVICE**

(71) Applicant: **MAFI AB**, Mora (SE)

(72) Inventors: **Andreas Axelsson**, Malung (SE);  
**Daniel Boberg**, Älvdalen (SE)

(73) Assignee: **MAFI AB**, Mora (SE)

(\*\*) Term: **15 Years**

(21) Appl. No.: **29/698,259**

(22) Filed: **Jul. 16, 2019**

(30) **Foreign Application Priority Data**

Feb. 21, 2019 (EM) ..... 006263893

(51) **LOC (13) Cl.** ..... **08-08**

(52) **U.S. Cl.**  
USPC ..... **D8/349**

(58) **Field of Classification Search**  
USPC .... D6/672, 684, 680, 683.1, 703.5; D8/349,  
D8/354, 355, 330, 331, 333, 380  
CPC ..... F16B 5/00; F16B 5/02; F16B 12/50  
See application file for complete search history.

(56) **References Cited**

**U.S. PATENT DOCUMENTS**

D445,668 S \* 7/2001 Hills, Sr. .... D25/199  
D558,039 S \* 12/2007 Skinner ..... D8/354  
D617,175 S \* 6/2010 Anderson ..... D8/355  
D628,539 S \* 12/2010 Tezak ..... D13/152

D673,028 S \* 12/2012 Apestegua Martinez .... D8/354  
D678,043 S \* 3/2013 Lu ..... D8/373  
D808,576 S \* 1/2018 Clarke ..... D26/138  
D814,905 S \* 4/2018 Ralph ..... D8/349  
D822,458 S \* 7/2018 Campbell ..... D8/354  
D853,377 S \* 7/2019 Crandon ..... D14/253  
D876,201 S \* 2/2020 Wassdahl ..... D8/349  
D887,882 S \* 6/2020 Machijima ..... D10/103  
D889,931 S \* 7/2020 Monroe ..... D8/331  
D891,232 S \* 7/2020 Zhang ..... D8/354  
D900,591 S \* 11/2020 Schwarzmann ..... D8/349  
D901,665 S \* 11/2020 Kunyckyj ..... D23/368  
D902,011 S \* 11/2020 Groen ..... D8/349

\* cited by examiner

*Primary Examiner* — Garth Rademaker

*Assistant Examiner* — Benjamin M Weeks

(74) *Attorney, Agent, or Firm* — Nixon & Vanderhye P.C.

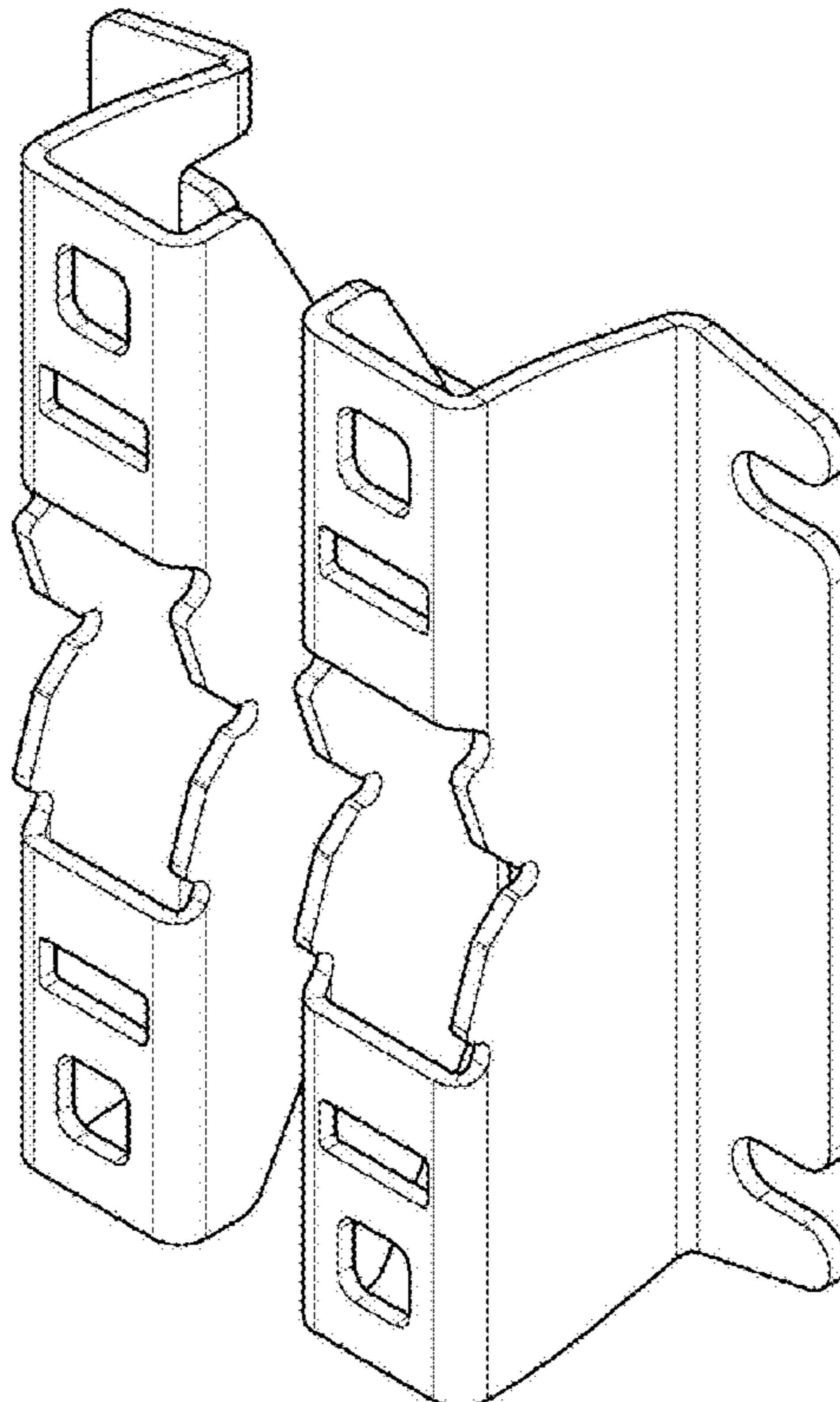
(57) **CLAIM**

The ornamental design for fastening device, as shown and described.

**DESCRIPTION**

FIG. 1 is a first perspective view of a fastening device;  
FIG. 2 is a second perspective view thereof;  
FIG. 3 is a top view thereof;  
FIG. 4 is a bottom view thereof;  
FIG. 5 is a front view thereof;  
FIG. 6 is a rear view thereof; and,  
FIG. 7 is a side view thereof, the opposite side being identical.

**1 Claim, 7 Drawing Sheets**



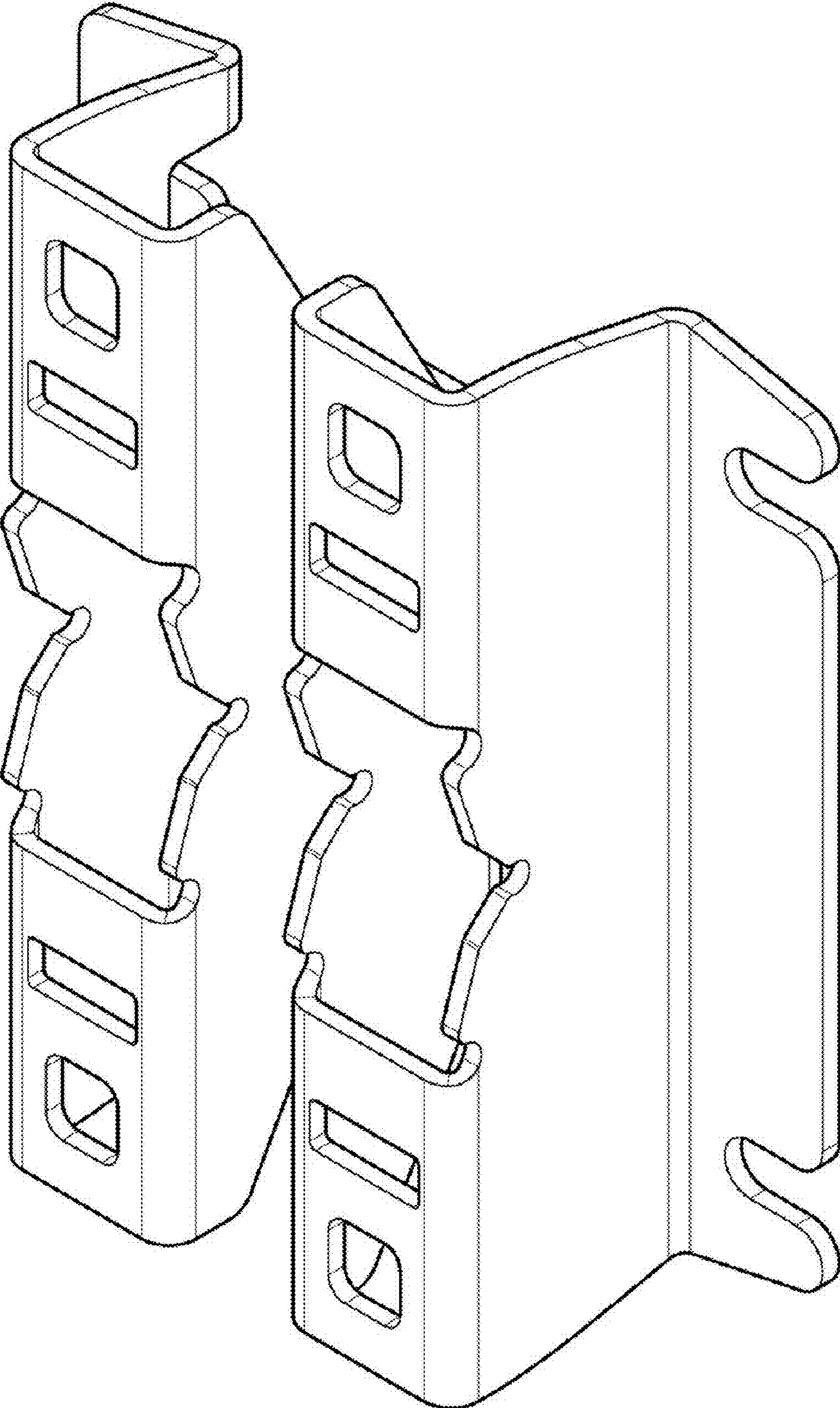


FIG. 1

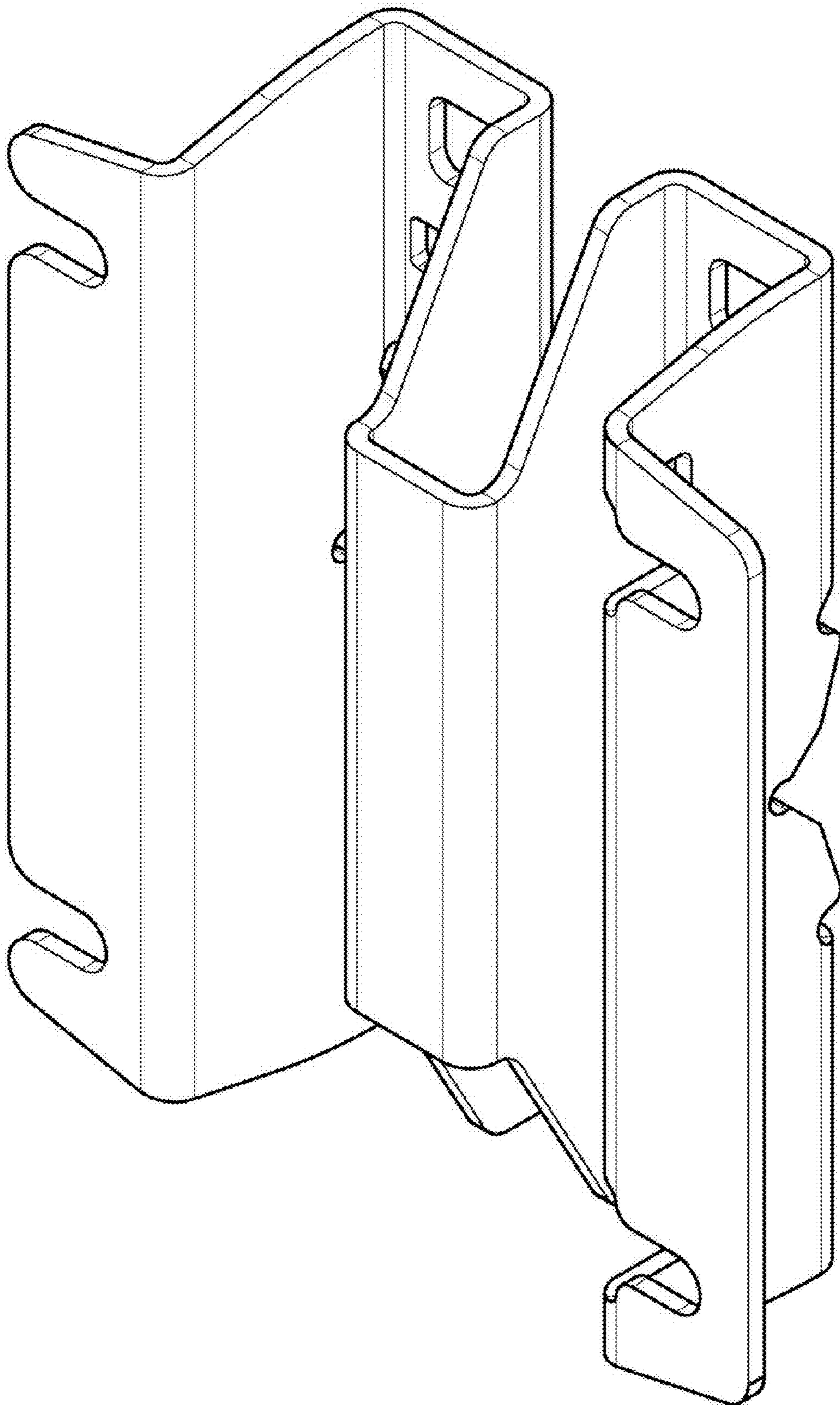


FIG. 2

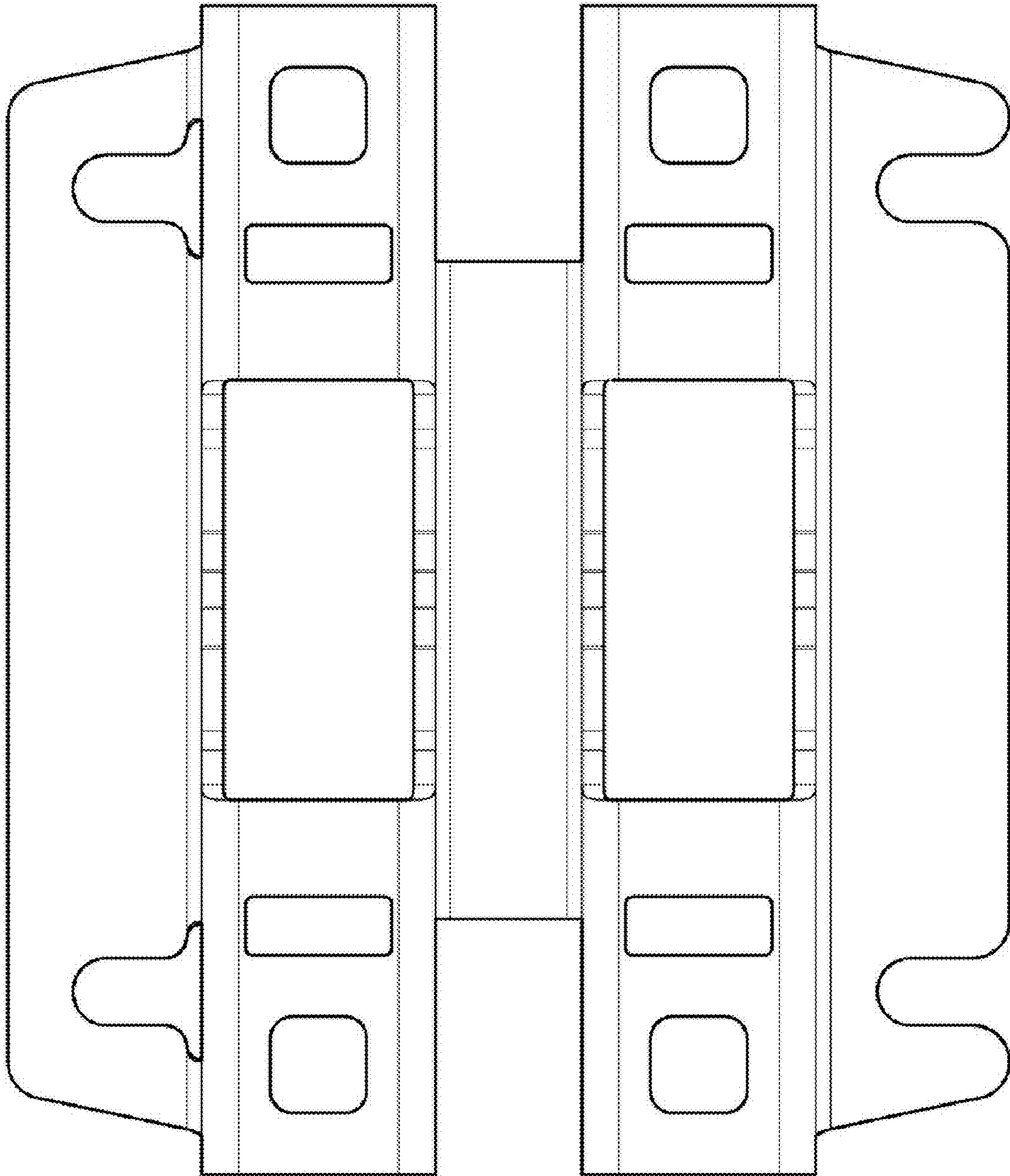


FIG. 3

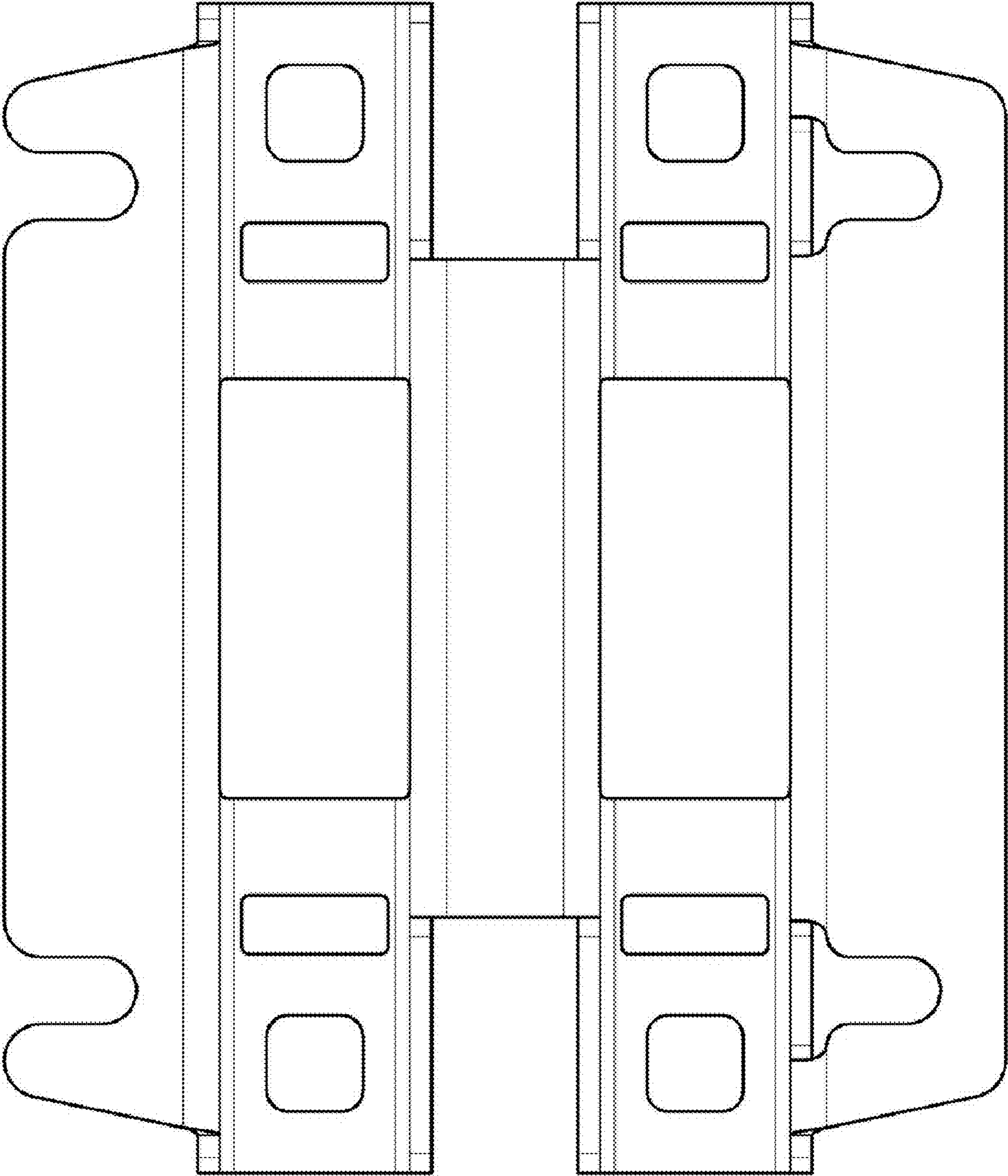


FIG. 4

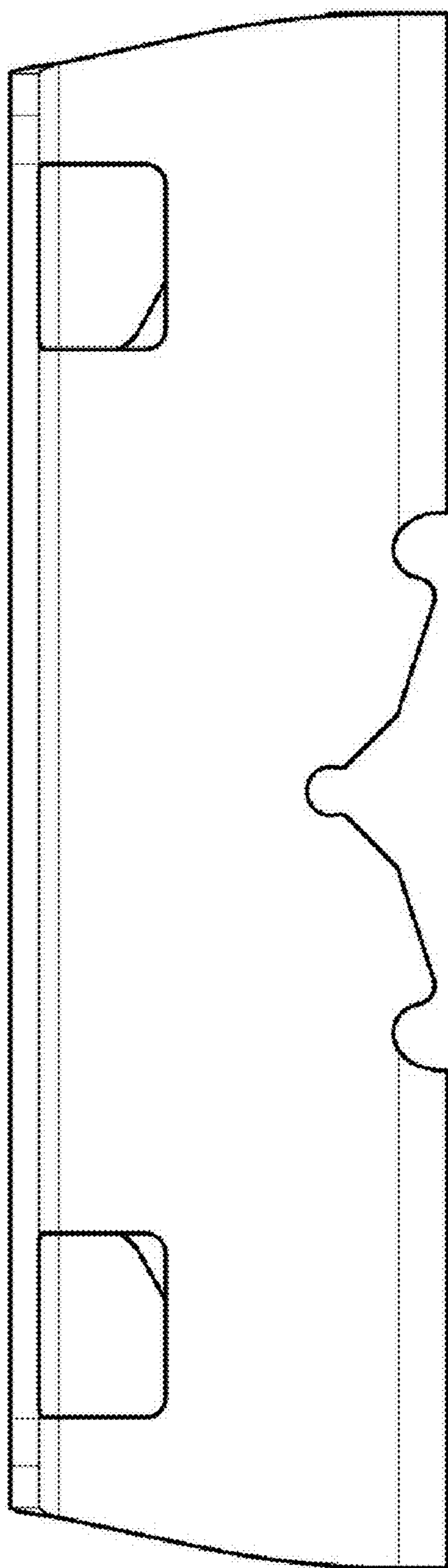


FIG. 5

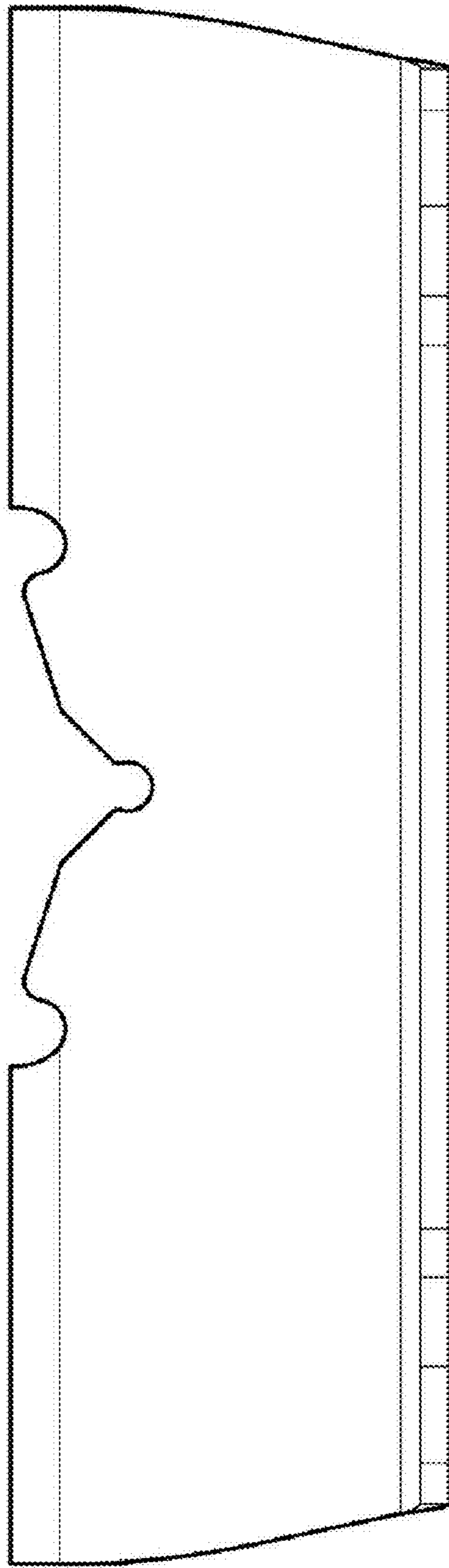


FIG. 6

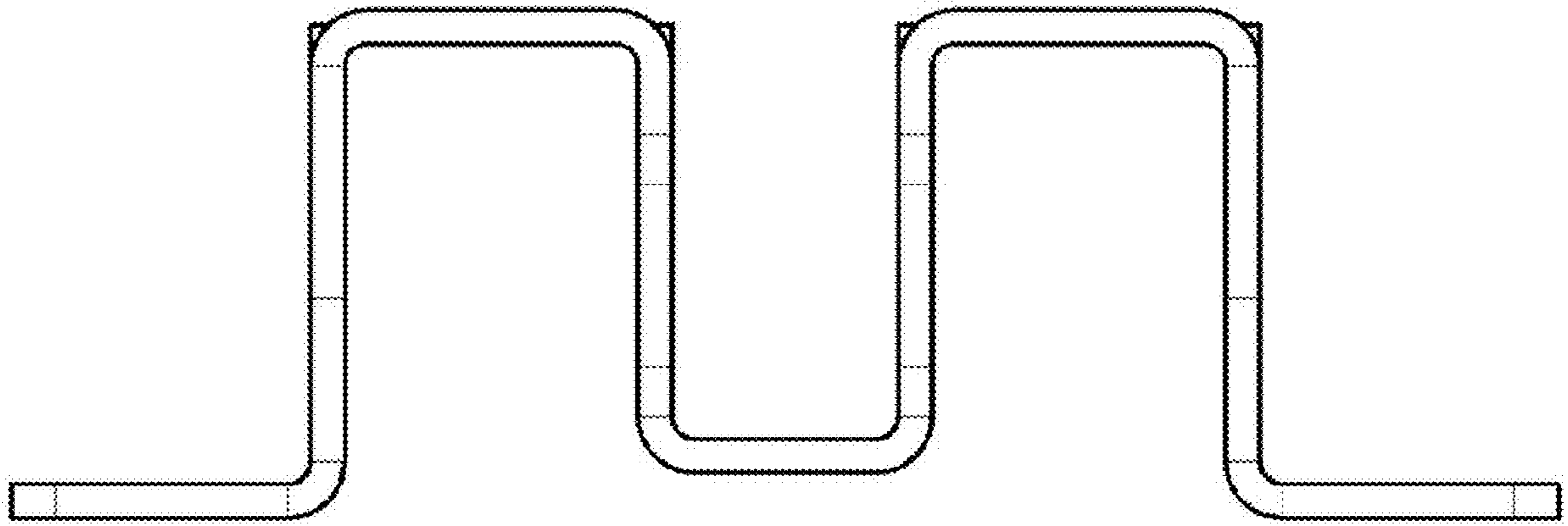


FIG. 7