



US00D916580S

(12) **United States Design Patent** (10) **Patent No.:** **US D916,580 S**
Xu et al. (45) **Date of Patent:** **** Apr. 20, 2021**

(54) **DOOR HANDLE SAFETY LOCK**
(71) Applicant: **NINGBO FABE CHILD SAFETY CO., LTD.**, Zhejiang (CN)
(72) Inventors: **Jian Xu**, Zhejiang (CN); **Dong Li**, Zhejiang (CN); **Xinjun Wang**, Zhejiang (CN)
(73) Assignee: **NINGBO FABE CHILD SAFETY CO., LTD.**, Ningbo (CN)
(**) Term: **15 Years**

(21) Appl. No.: **29/705,732**
(22) Filed: **Sep. 14, 2019**

(30) **Foreign Application Priority Data**
Apr. 30, 2019 (CN) 201930210291.0

(51) **LOC (13) Cl.** **08-07**
(52) **U.S. Cl.**
USPC **D8/336**

(58) **Field of Classification Search**
USPC D8/330, 331, 338, 336
CPC E05B 65/0014; E05B 65/0025; E05B 65/0028; E05B 65/0085; E05B 65/44; E05B 65/46; E05B 65/461; E05B 65/462; E05B 65/463; E05B 65/464; E05B 65/466; E05B 65/469; E05B 13/00; E05B 13/001; E05B 13/007; E05B 13/10; E05B 13/106; E05B 13/04; E05B 15/14; A47F 3/00; A47F 3/005; A47F 3/007; A47F 7/024; Y10T 292/0857; Y10T 292/0848; Y10T 292/0851; Y10T 292/0854; Y10T 292/0875; Y10T 292/0952; E05C 3/157; E05C 19/08

See application file for complete search history.

(56) **References Cited**
U.S. PATENT DOCUMENTS
7,665,335 B2 * 2/2010 Stuckey E05B 13/10
70/208
D670,152 S * 11/2012 Gordon D8/330
8,308,205 B2 * 11/2012 Tejszerski E05C 3/145
292/230
D779,307 S * 2/2017 Nix D8/339
9,580,947 B1 * 2/2017 Amerling E05B 73/0076
9,816,300 B2 * 11/2017 Derham E05C 1/10
D805,368 S * 12/2017 Gui D8/336
9,951,543 B1 * 4/2018 Guttery E05B 15/022
10,087,664 B2 * 10/2018 Auriac B64D 29/08
10,480,223 B2 * 11/2019 Nakasone E05C 9/042

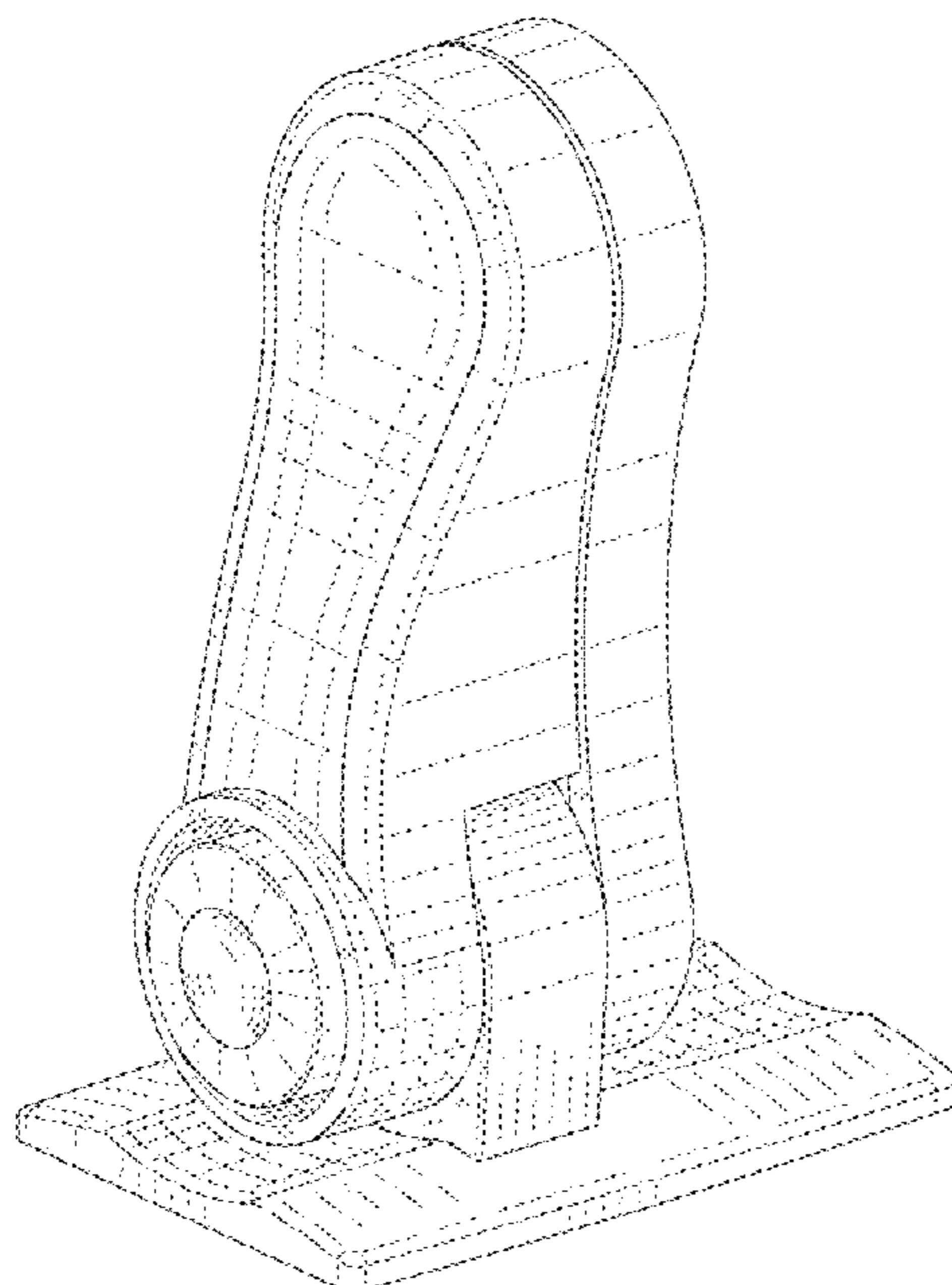
* cited by examiner

Primary Examiner — Doris Clark
(74) *Attorney, Agent, or Firm* — Global IP Services;
Tianhua Gu

(57) **CLAIM**
The ornamental design for a door handle safety lock, as shown and described.

DESCRIPTION
FIG. 1 is a front elevational view of a door handle safety lock, showing our new design;
FIG. 2 is a rear elevational view thereof;
FIG. 3 is a left side elevational view thereof;
FIG. 4 is a right side elevational view thereof;
FIG. 5 is a top plan view thereof;
FIG. 6 is a bottom plan view thereof;
FIG. 7 is a front perspective view thereof; and,
FIG. 8 is a rear perspective view thereof.
The broken lines depict portions of the door handle safety lock that form no part of the claimed design.

1 Claim, 8 Drawing Sheets



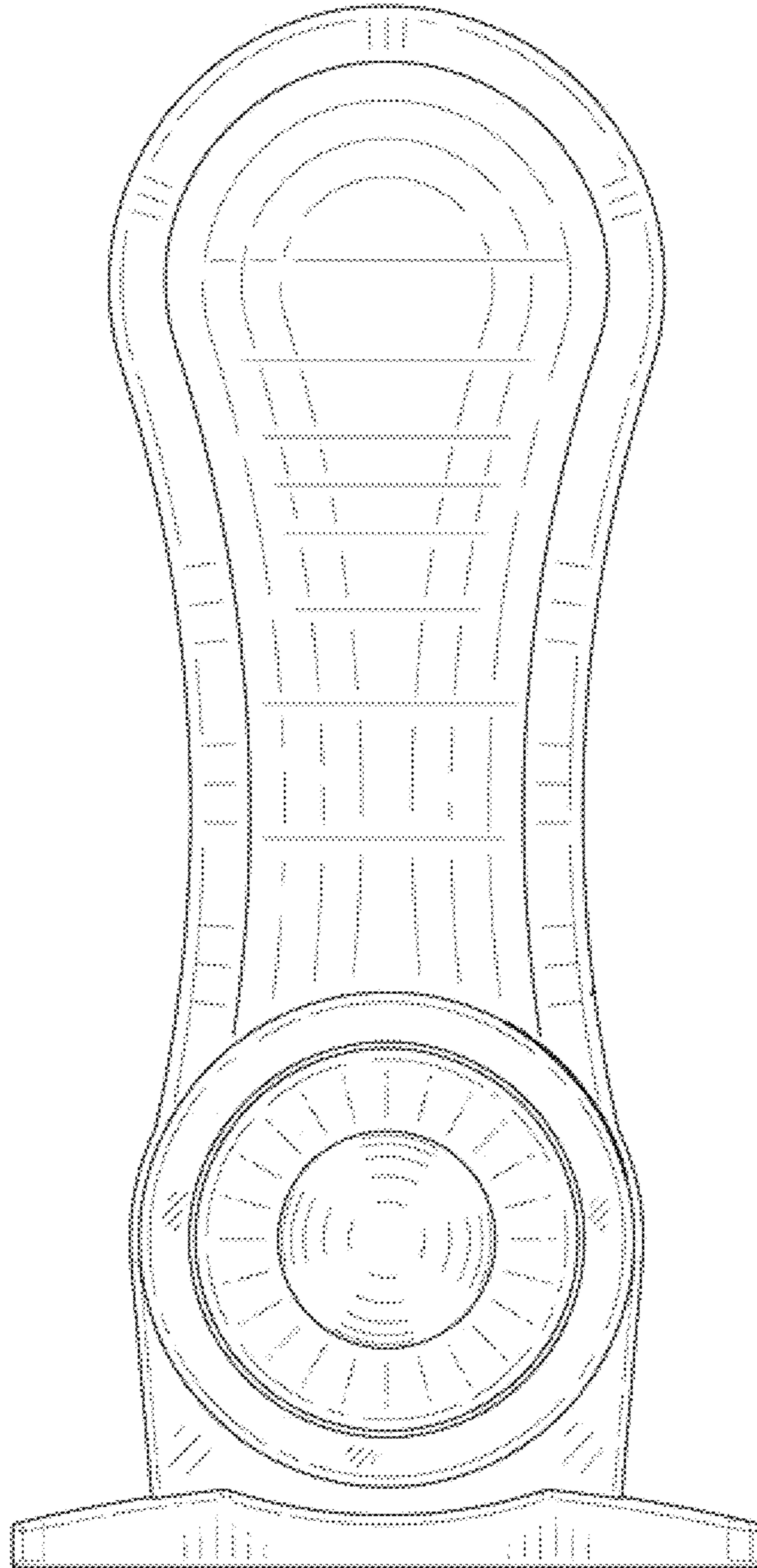


FIG. 1

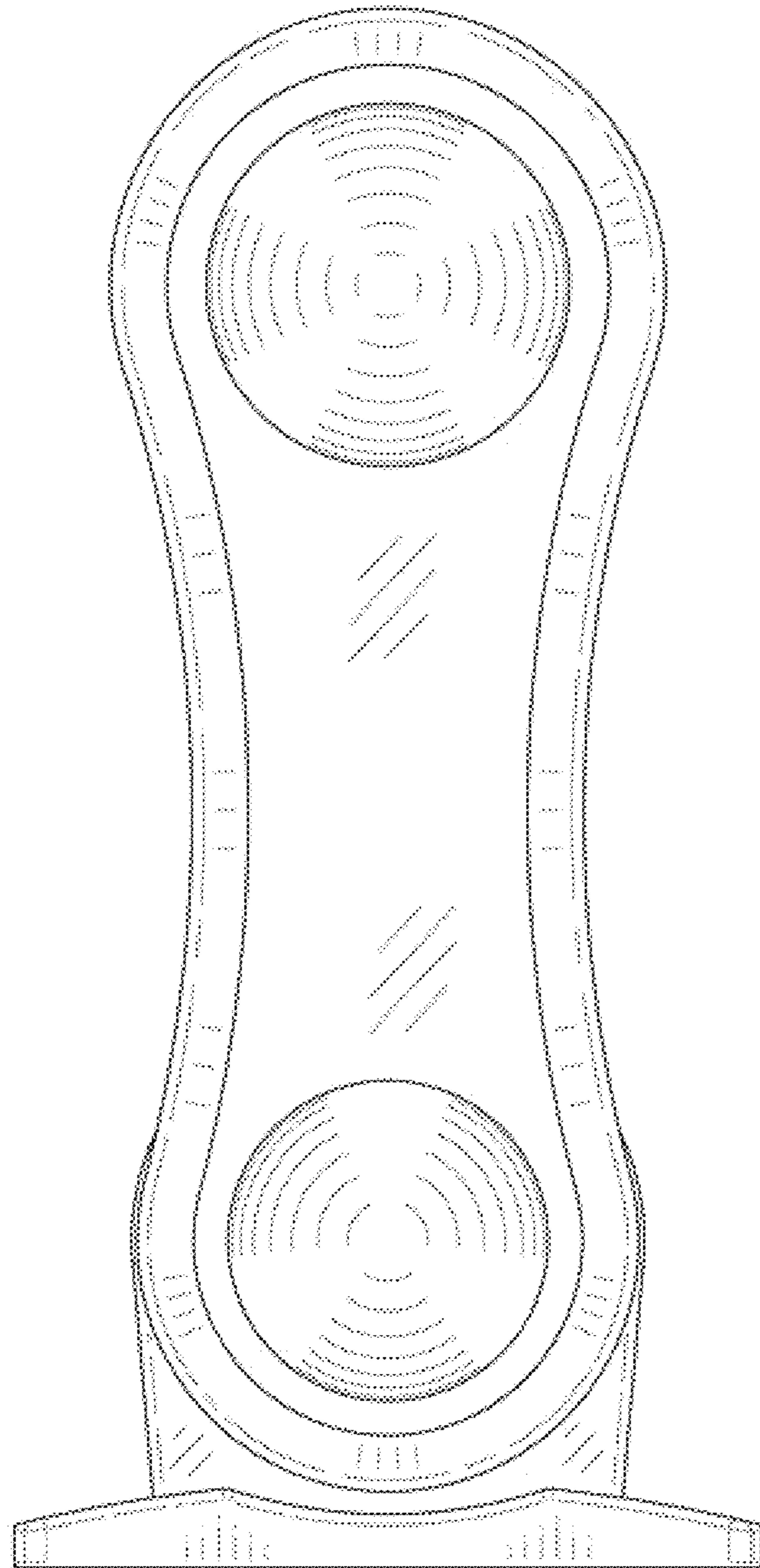


FIG. 2

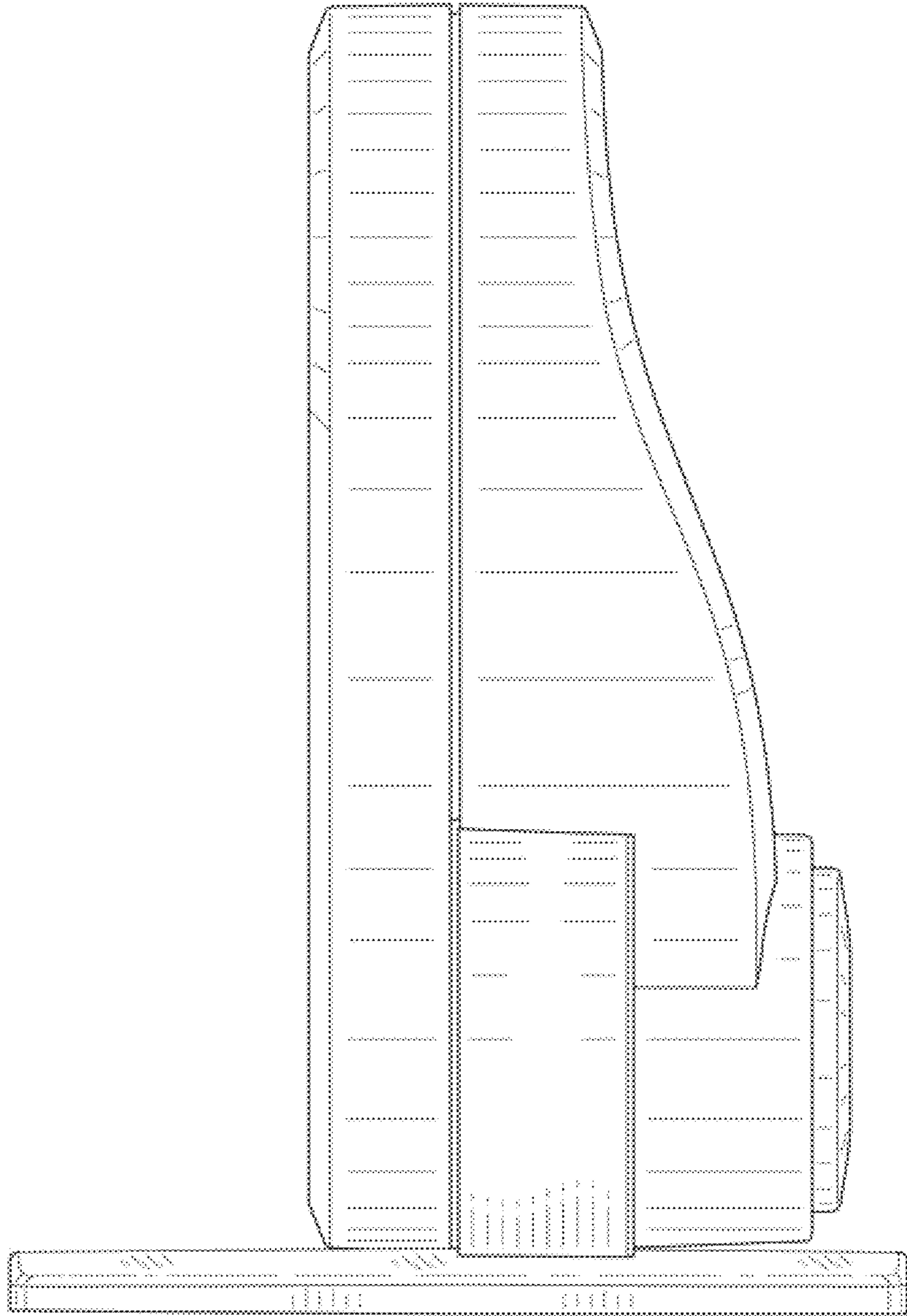


FIG. 3

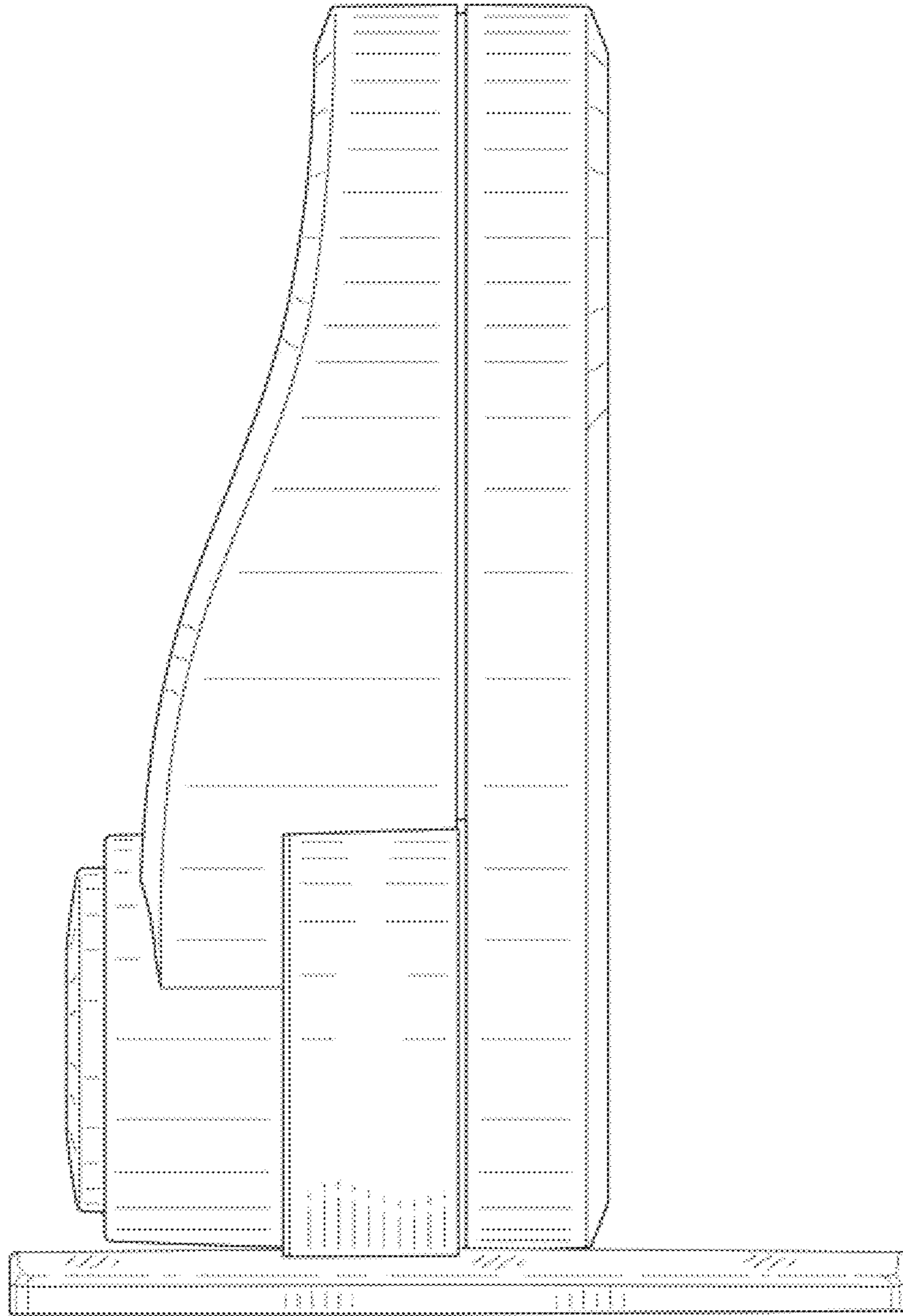


FIG. 4

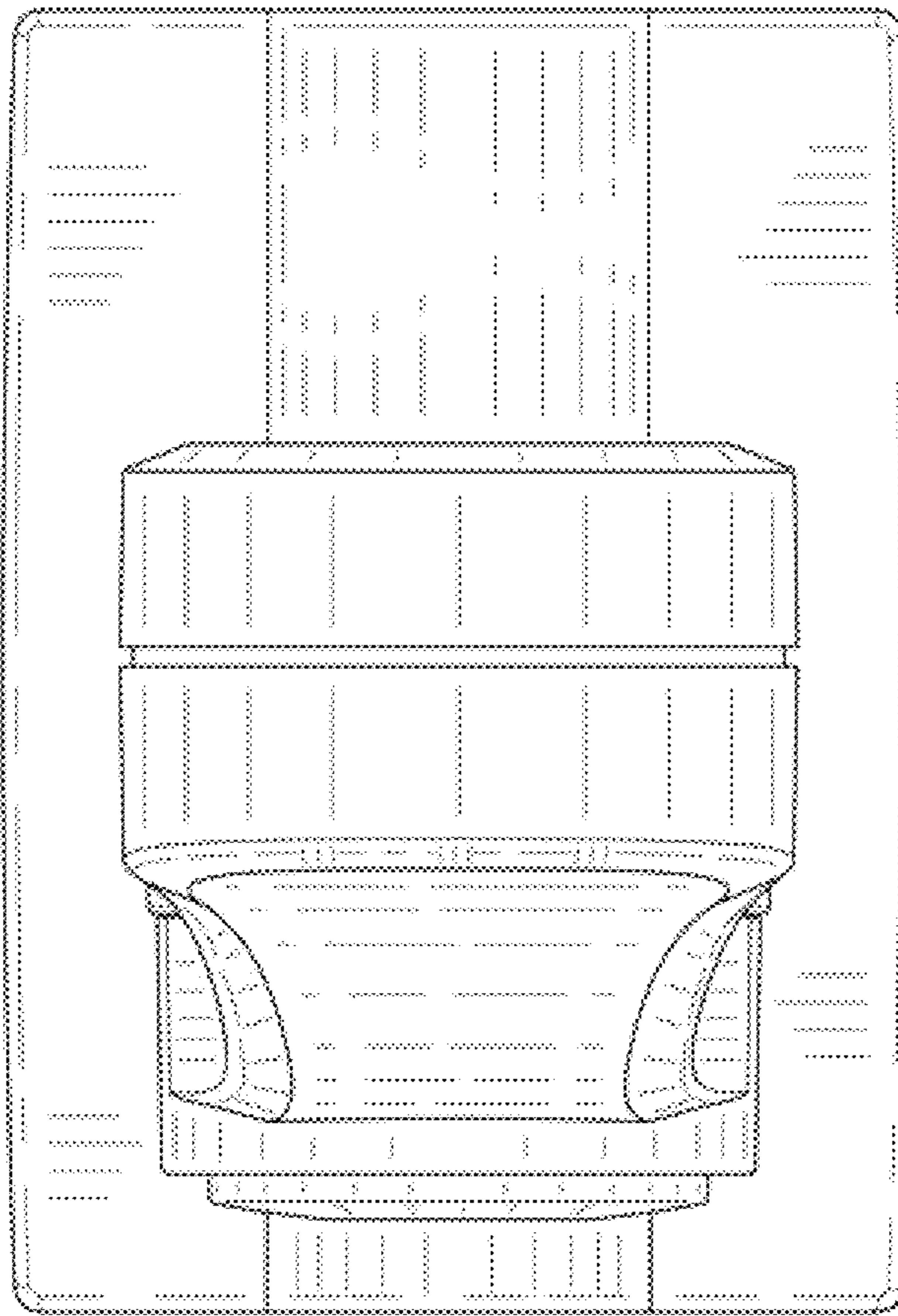


FIG. 5

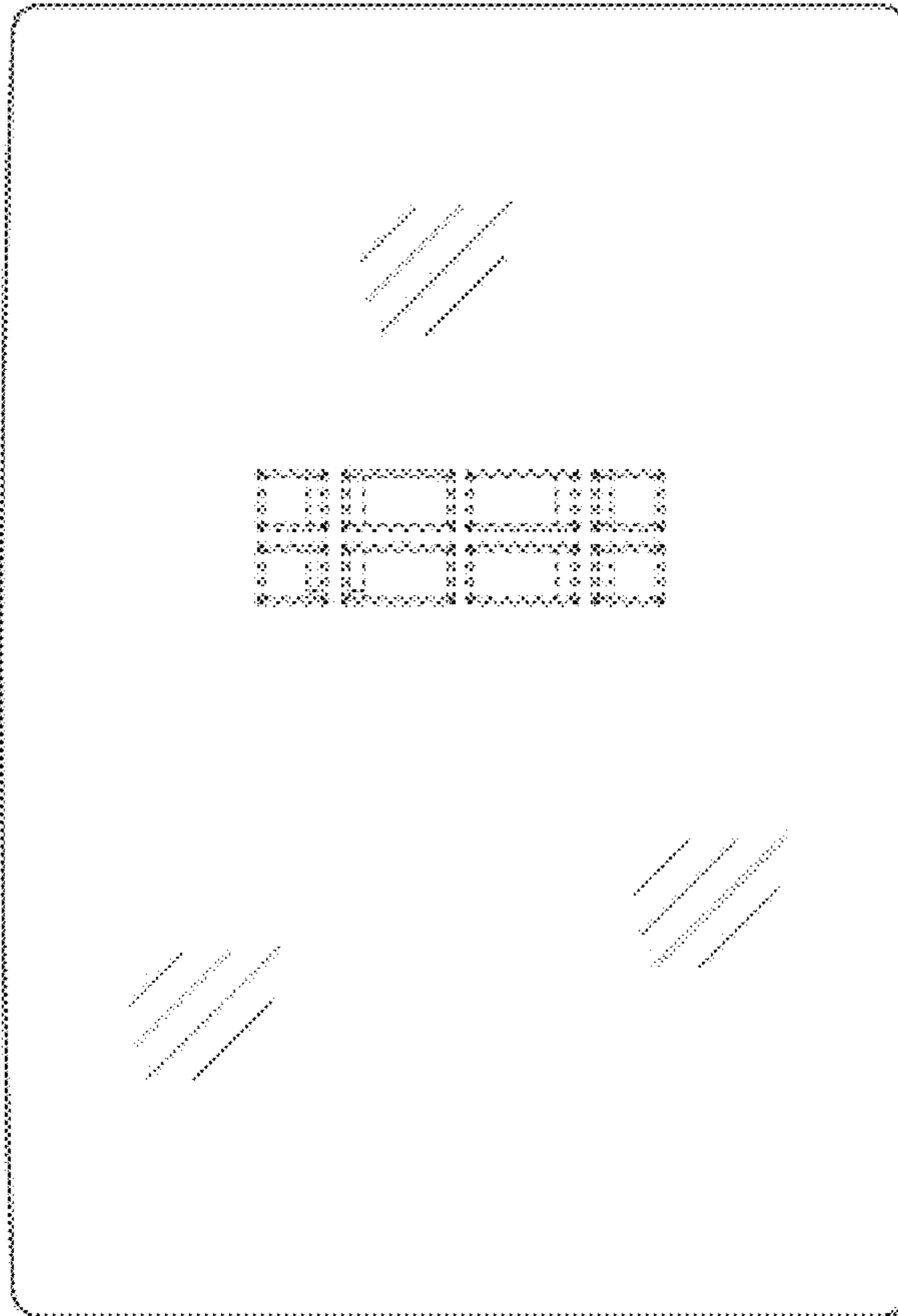


FIG. 6

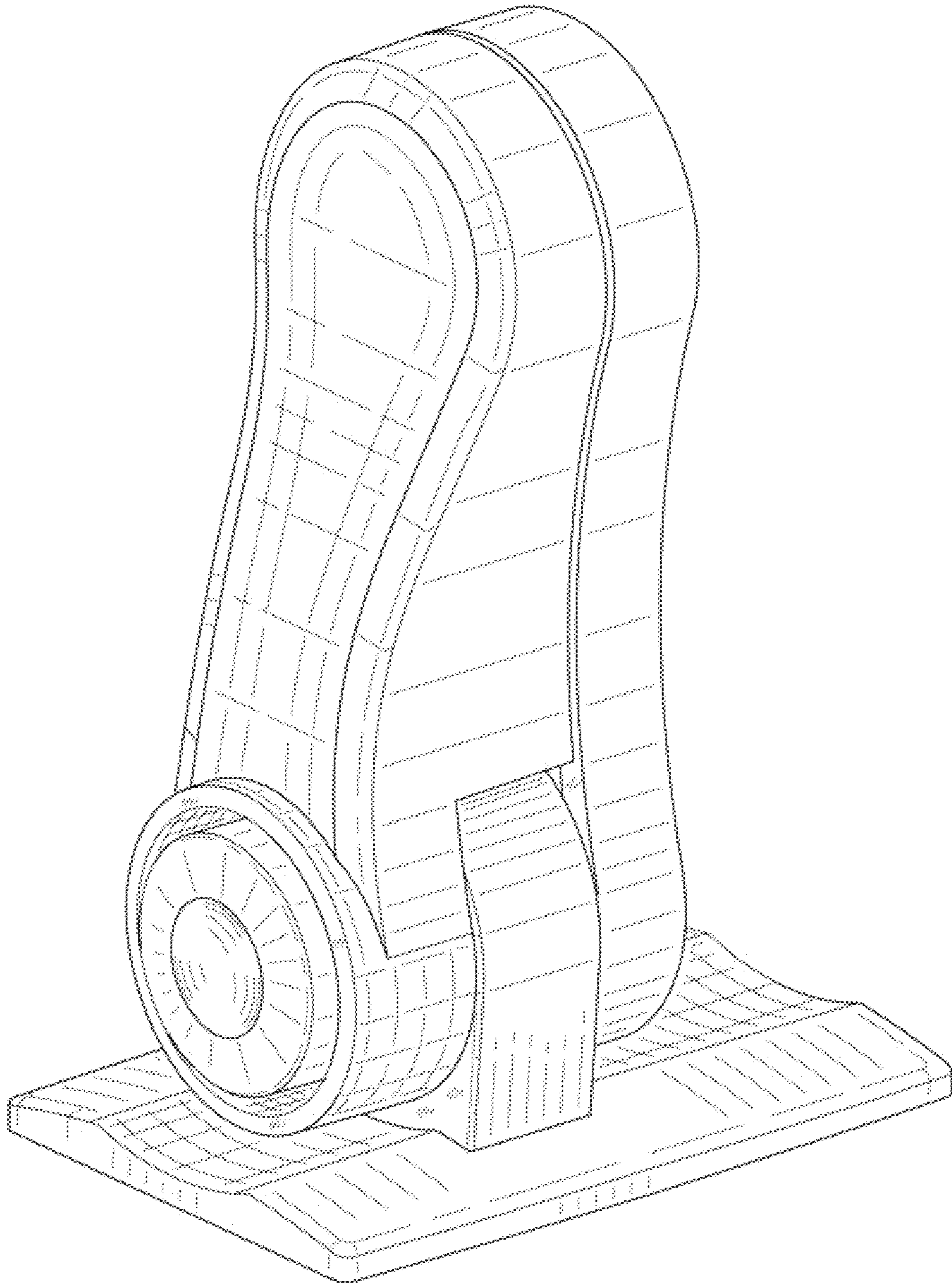


FIG. 7

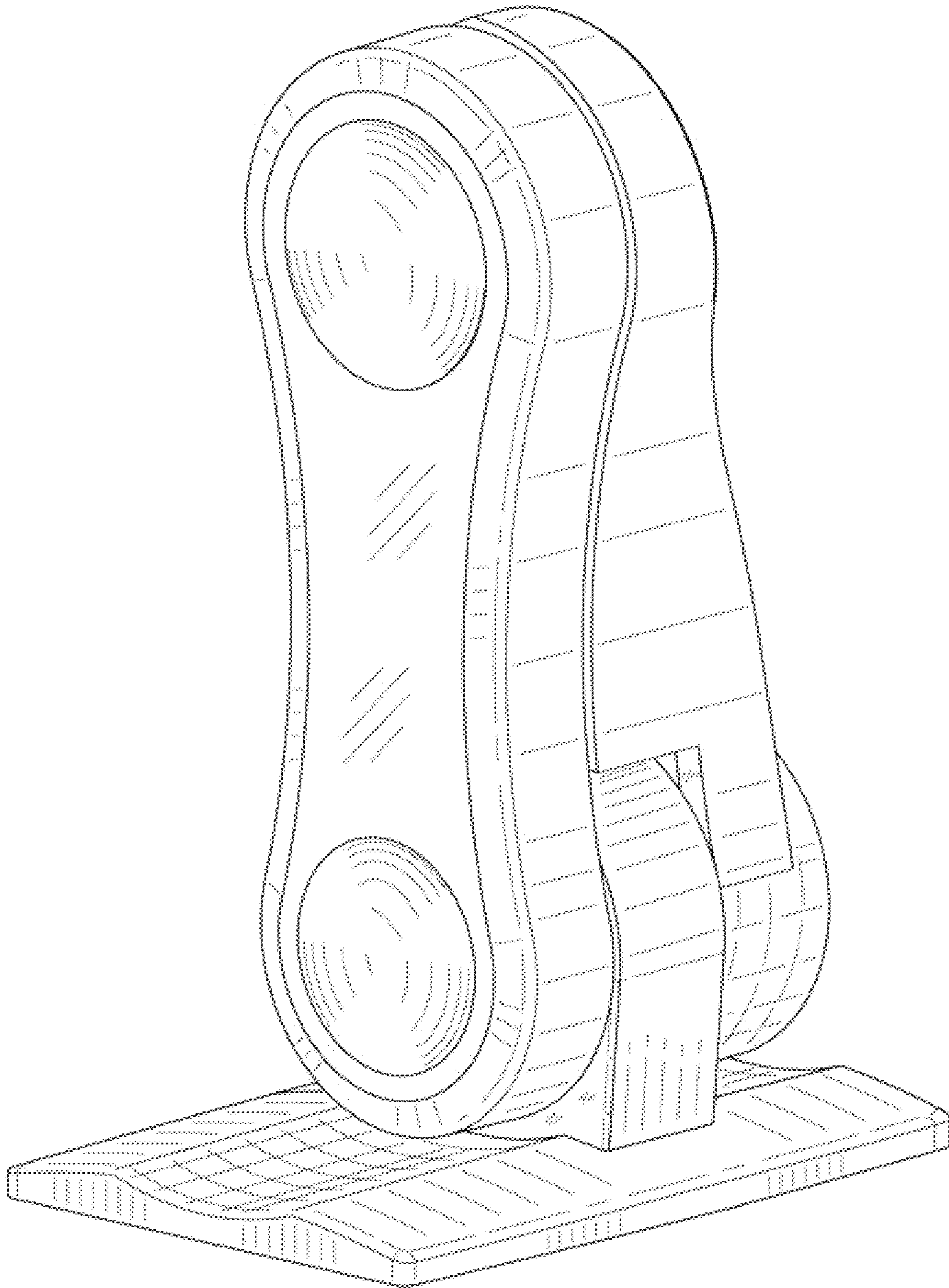


FIG. 8