



US00D916579S

(12) **United States Design Patent** (10) **Patent No.:** **US D916,579 S**
Tang et al. (45) **Date of Patent:** **** Apr. 20, 2021**

(54) **SMART DOOR LOCK**

(71) Applicant: **BEIJING XIAOMI MOBILE SOFTWARE CO., LTD.**, Beijing (CN)

(72) Inventors: **Jianning Tang**, Beijing (CN); **Ningning Li**, Beijing (CN); **Jia Chen**, Beijing (CN); **Sian Lin**, Beijing (CN)

(73) Assignee: **Beijing Xiaomi Mobile Software Co., Ltd.**, Beijing (CN)

(**) Term: **15 Years**

(21) Appl. No.: **29/747,883**

(22) Filed: **Aug. 26, 2020**

Related U.S. Application Data

(62) Division of application No. 35/507,627, filed on Feb. 3, 2019 (U.S. filing date under 35 U.S.C. 384), and having an international filing date of Feb. 3, 2019.

(30) **Foreign Application Priority Data**

Aug. 7, 2018 (CN) 201830433907.6

(51) **LOC (13) Cl.** **08-07**

(52) **U.S. Cl.**
USPC **D8/331**

(58) **Field of Classification Search**
USPC D8/331, 330, 350, 308, 352, 301, 302, D8/353, 343, 300, 334, 341; D10/104.1, D10/118.2; D13/171; D14/455; D23/252, 254; D99/43
CPC G07C 9/00309; G07C 9/00174; G07C 9/00817; G07C 9/00896; Y10T 70/7062; Y10T 70/5226; Y10T 70/542; Y10T 292/0834; Y10T 292/096; E05B 47/00; E05B 63/0056; E04H 12/003; G05B 2219/2642

See application file for complete search history.

(56) **References Cited**

U.S. PATENT DOCUMENTS

5,198,643	A *	3/1993	Miron	G07C 9/00904
				235/382
D339,280	S *	9/1993	Bray	D8/301
D393,994	S	5/1998	Hankel	
D423,326	S *	4/2000	Moon	D8/353
D437,771	S *	2/2001	Barnes	D8/352
6,758,070	B2	7/2004	Yu	
D494,841	S	8/2004	Moon	
7,007,526	B2	3/2006	Frolov	
D533,762	S *	12/2006	Wright	D8/330
7,374,084	B2 *	5/2008	Mitchell	E05B 17/10
				235/380
D578,866	S *	10/2008	Kim	D8/350
D640,525	S	6/2011	Min	
D685,249	S	7/2013	Friedli	
8,677,792	B2	3/2014	Wheeler	
D737,657	S *	9/2015	Nadgouda	D8/331

(Continued)

Primary Examiner — Nathaniel D. Buckner

(74) *Attorney, Agent, or Firm* — Amster, Rothstein & Ebenstein LLP

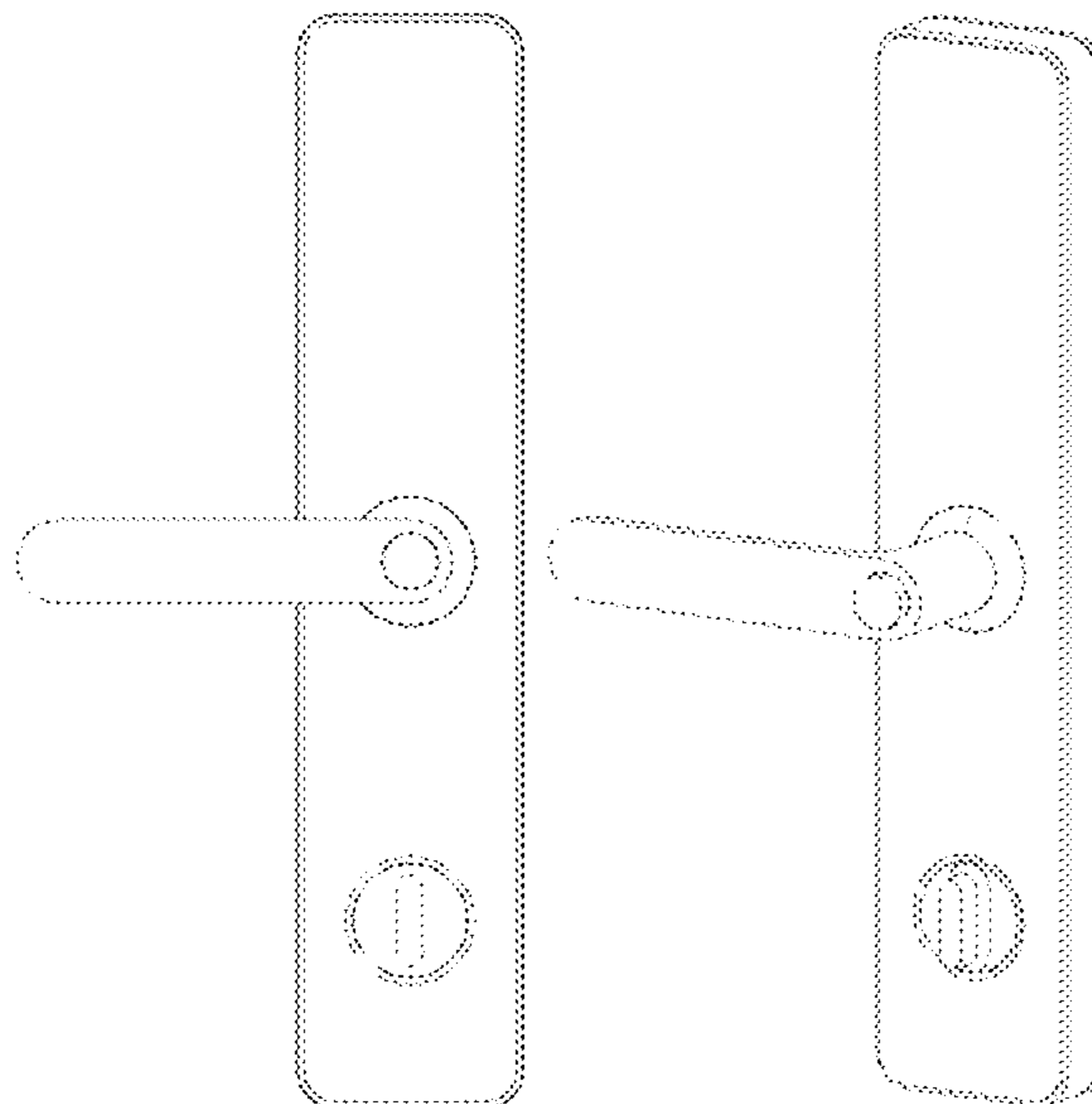
(57) **CLAIM**

We claim the ornamental design for a smart door lock, as shown and described.

DESCRIPTION

FIG. 1 is a front view of a smart door lock showing our new design;
FIG. 2 is a rear view thereof;
FIG. 3 is a left view thereof;
FIG. 4 is a right view thereof;
FIG. 5 is a top view thereof;
FIG. 6 is a bottom view thereof; and,
FIG. 7 is a perspective view thereof.
The present product is used for locking a door.

1 Claim, 7 Drawing Sheets



(56)

References Cited

U.S. PATENT DOCUMENTS

9,390,570 B1 7/2016 Chen
D773,281 S * 12/2016 Meyerhoffer D8/331
D778,138 S * 2/2017 Meyerhoffer D8/334
D791,569 S 7/2017 Chen
D794,414 S 8/2017 Chou
D861,460 S * 10/2019 Ronge D8/353
D868,563 S 12/2019 Wong
D876,200 S 2/2020 Wong
D876,923 S 3/2020 Wong
2016/0042581 A1* 2/2016 Ku G07C 9/00309
340/5.61
2018/0320413 A1* 11/2018 Wong E05B 53/008

* cited by examiner

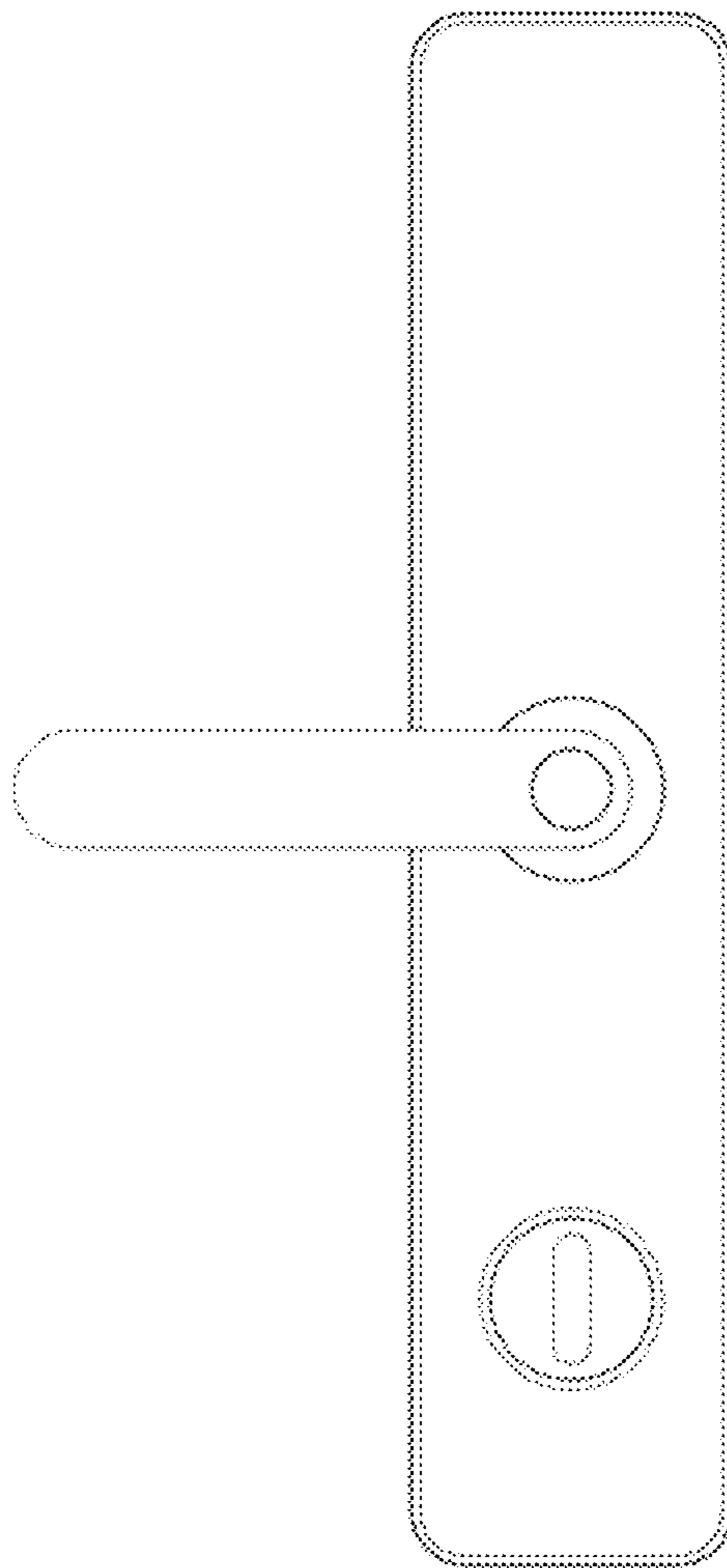


FIG. 1

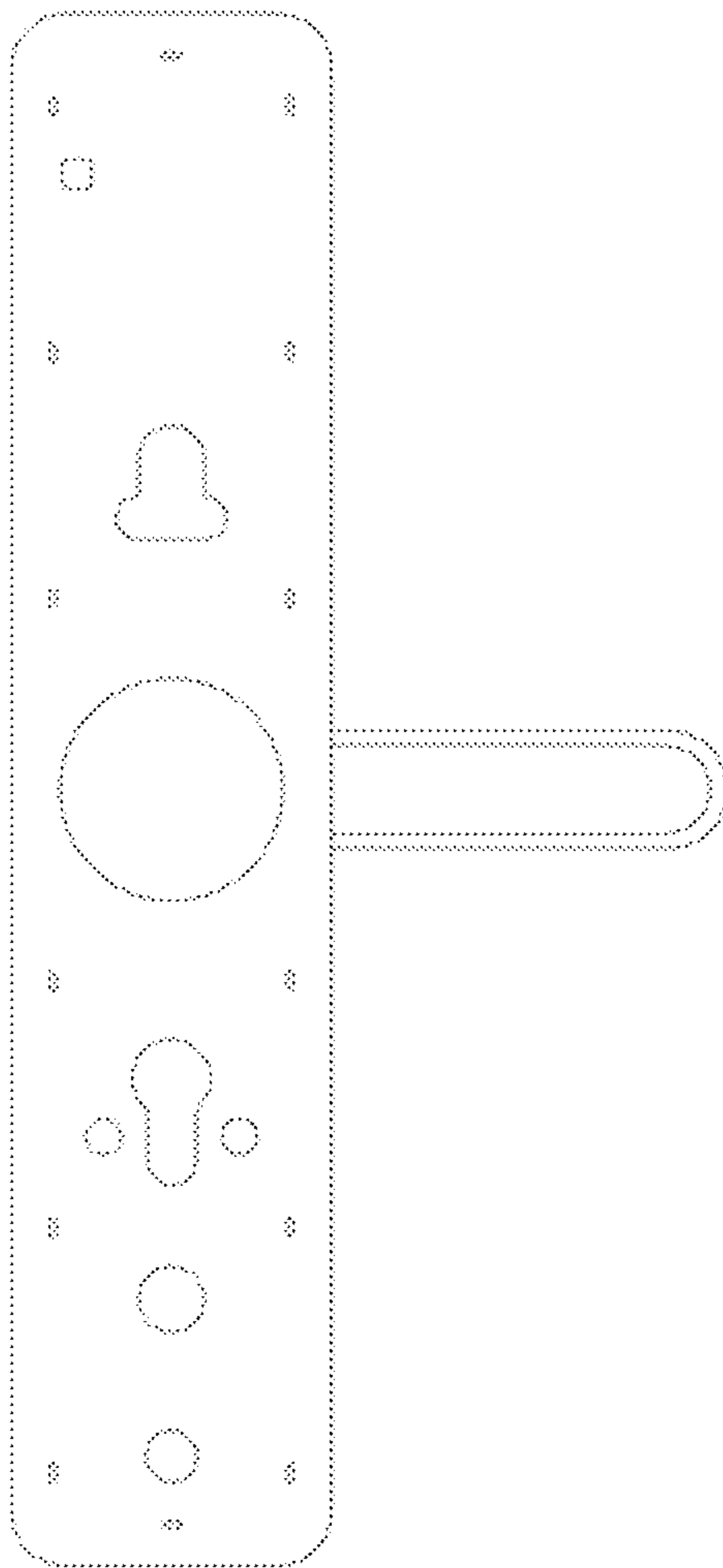


FIG. 2

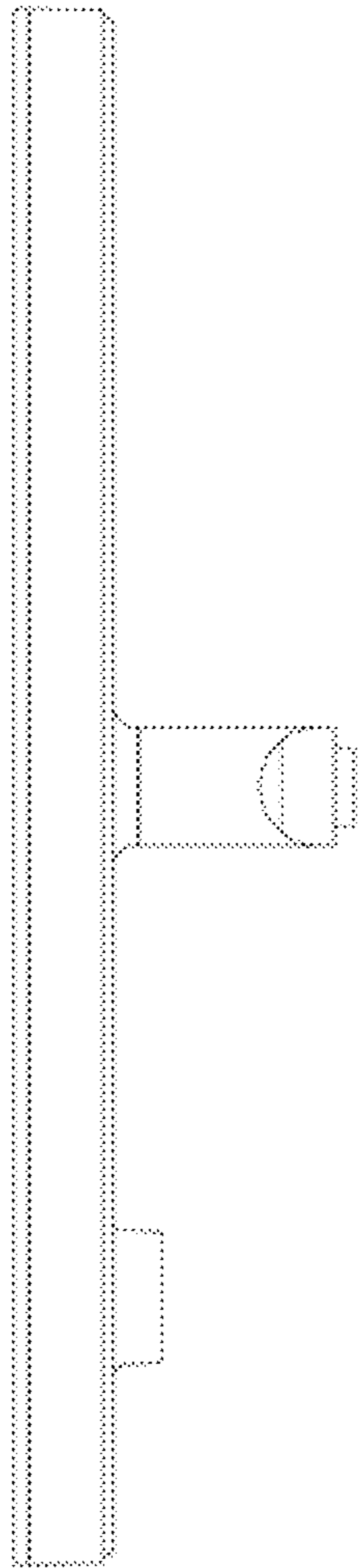


FIG. 3

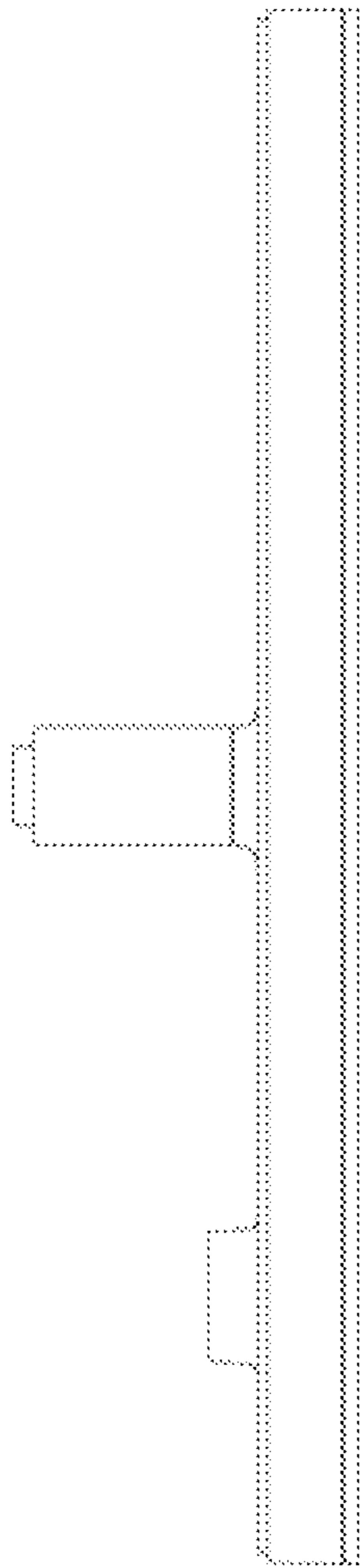


FIG. 4

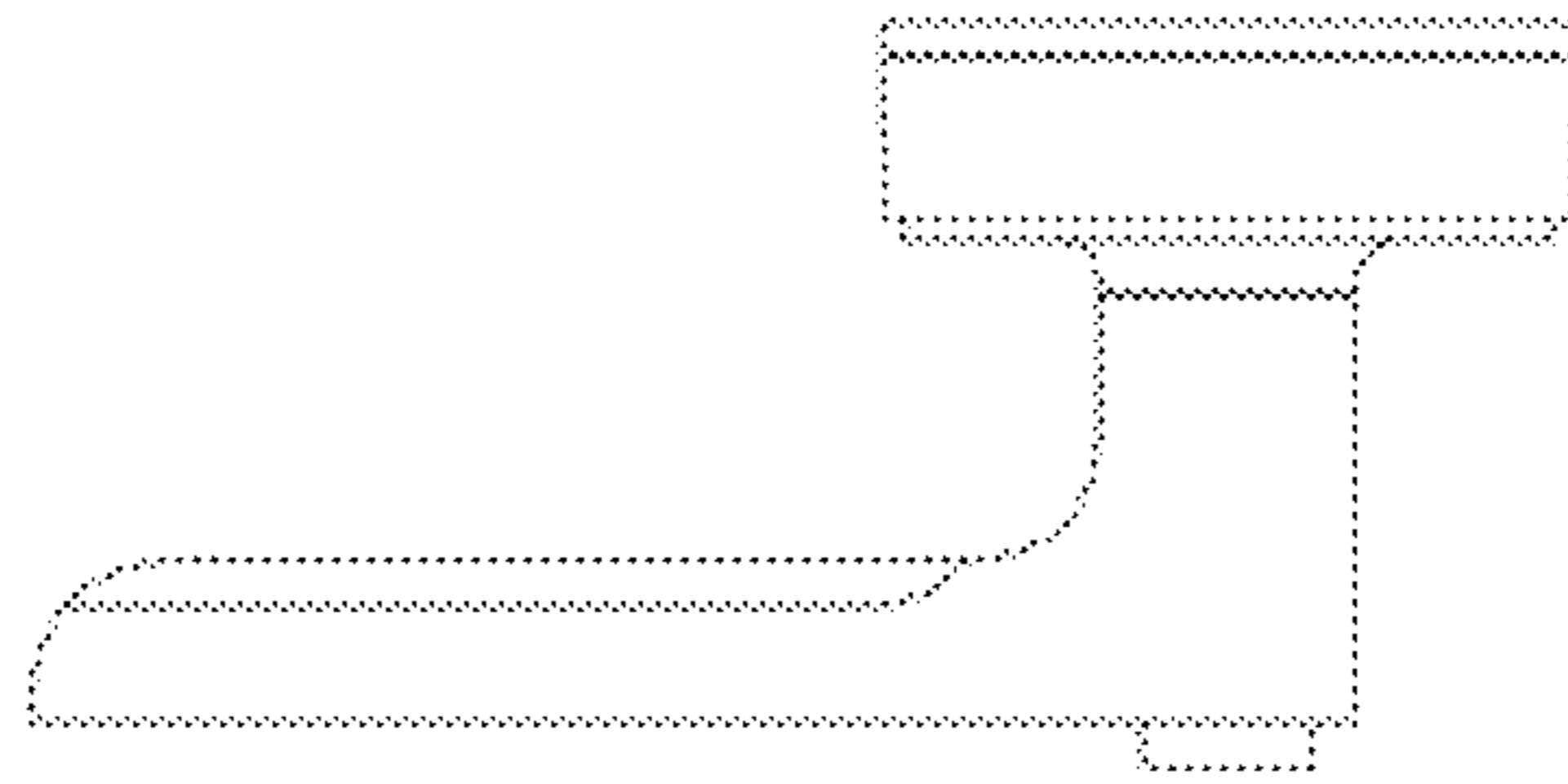


FIG. 5

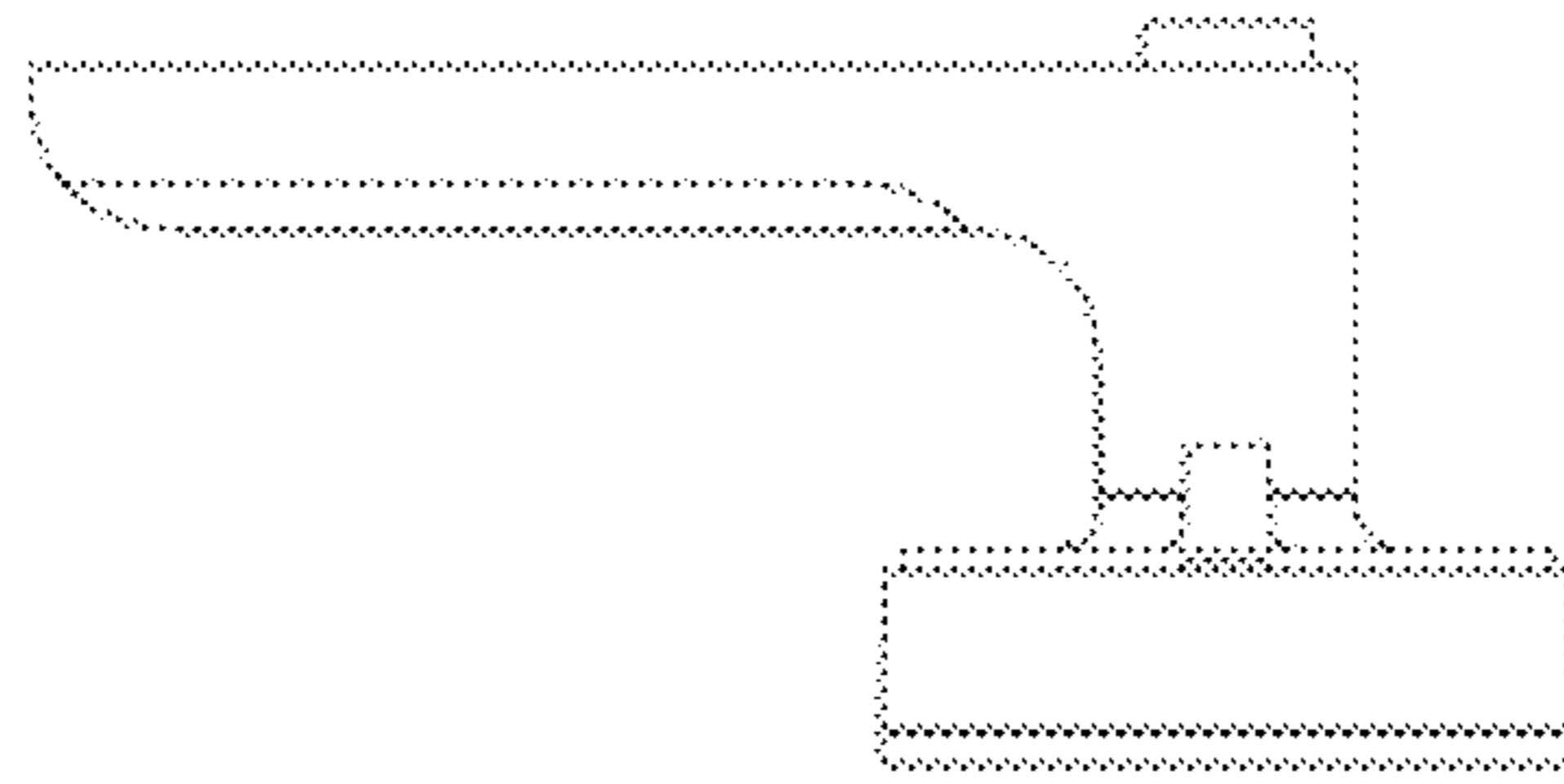


FIG. 6

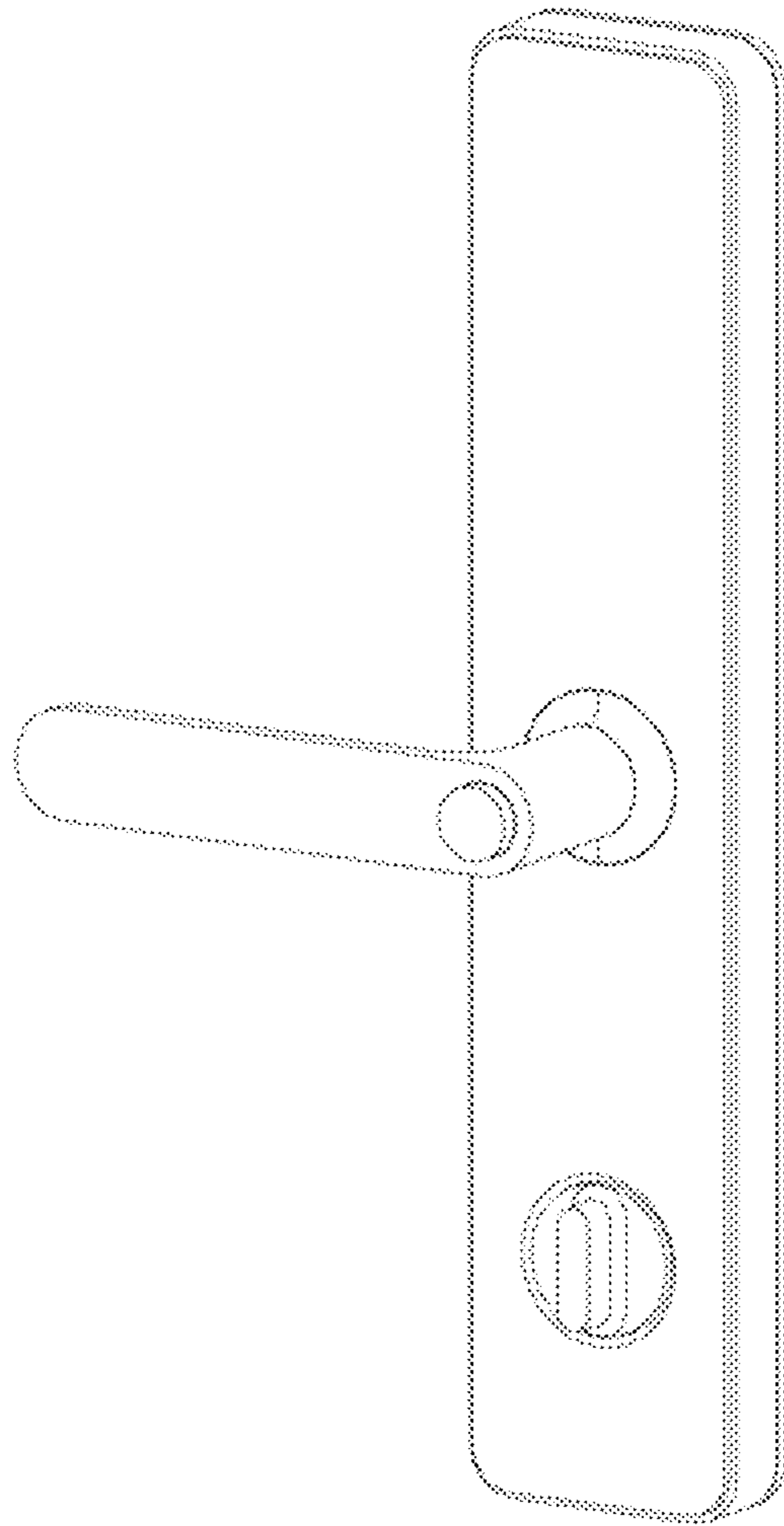


FIG. 7