

US00D916577S

(12) **United States Design Patent**
Min

(10) **Patent No.:** **US D916,577 S**
(45) **Date of Patent:** **** Apr. 20, 2021**

(54) **DOOR LOCK**

(71) Applicant: **NANJING EASTHOUSE ELECTRICAL CO., LTD.**, Nanjing (CN)

(72) Inventor: **Hao Min**, Nanjing (CN)

(73) Assignee: **NANJING EASTHOUSE ELECTRICAL CO., LTD.**, Nanjing (CN)

(**) Term: **15 Years**

(21) Appl. No.: **29/636,946**

(22) Filed: **Feb. 13, 2018**

(51) **LOC (13) Cl.** **08-07**

(52) **U.S. Cl.**
USPC **D8/331; D8/330**

(58) **Field of Classification Search**
USPC D8/330-333, 336, 338, 343-346, D8/300-302, 306-329; 70/91, 277, 336, 70/280, 14, 51, 52, 57.1, 67, 69, 78, 85, 70/86, 88, 141; 292/340-346, 180
CPC E05B 69/003; E05B 71/00; E05B 73/005; E05B 17/142; E05B 47/0011; E05B 47/00; E05B 41/00; E05B 47/06; E05B 47/0001; E05B 47/0615; E05B 47/0012; E05B 15/02; E05B 65/466; E05B 65/469; E05B 13/001; E05B 13/007; E05B 13/00; E05B 13/10; E05B 65/44; E05B 65/46; E05B 65/462; E05B 65/463; E05B 65/461; E05B 65/464; E05B 51/00; E05B 35/00; E05B 39/00; E05B 17/14; E05B 2047/0086; E05B 71/00; Y10T 70/5155; Y10T 70/5199; A47F 3/00; A47F 3/005; A47F 3/007; A47F 7/024; G07C 9/00563; B62H 5/001
See application file for complete search history.

(56) **References Cited**

U.S. PATENT DOCUMENTS

D494,841 S * 8/2004 Moon D8/352
D639,137 S * 6/2011 Ray, II D8/330

D685,249 S * 7/2013 Friedli D8/330
D794,414 S * 8/2017 Chou D8/331
D832,677 S * 11/2018 Gokcebay D8/331
D906,087 S * 12/2020 Zheng D8/331

(Continued)

FOREIGN PATENT DOCUMENTS

CN 303140914 * 8/2014
CN 304662344 * 2/2018

(Continued)

OTHER PUBLICATIONS

Wu Lian, Smart Retina Door Lock, Date first available Jan. 16, 2019, [online]retrieved Feb. 16, 2021, available from internet, https://www.amazon.com/Integrates-Fingerprint-Identification-BiomEtrics-Solution/dp/B07MVPJN6Q/ref=sr_1_9?dchild=1&keywords=NANJING+lock&qid=1613485406&sr=8-9 (Year: 2019).*

(Continued)

Primary Examiner — Keli L Hill
Assistant Examiner — Sara S Sahneh
(74) *Attorney, Agent, or Firm* — Ming Jiang; MM IP Services LLC

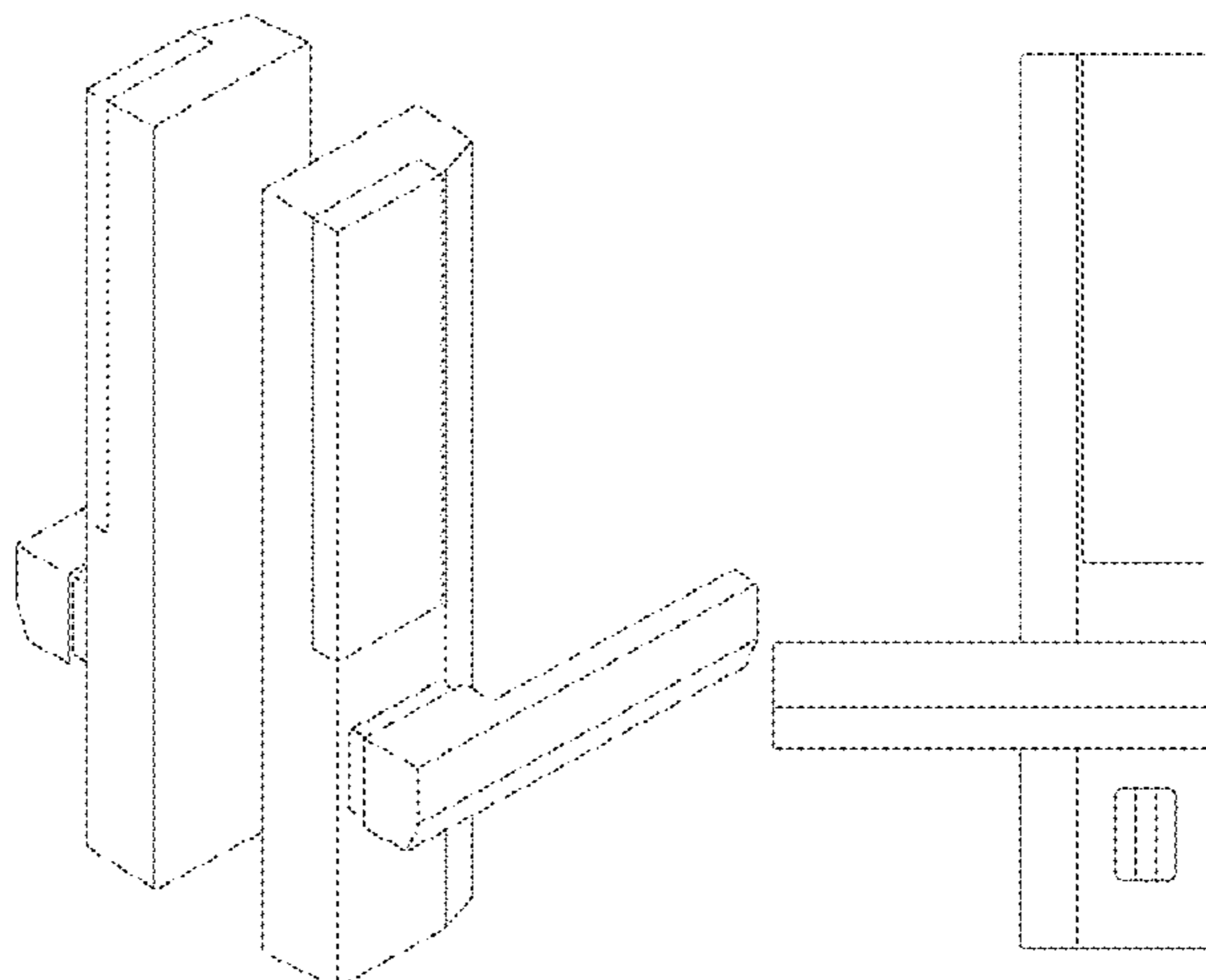
(57) **CLAIM**

I claim the ornamental design for a door lock, as shown and described.

DESCRIPTION

FIG. 1 is a left side, front perspective view of the door lock, showing my new design;
FIG. 2 is a front plan view thereof;
FIG. 3 is a rear plan view thereof;
FIG. 4 is a right plan view thereof;
FIG. 5 is a left plan view thereof;
FIG. 6 is a top plan view thereof; and,
FIG. 7 is a bottom plan view thereof.

1 Claim, 7 Drawing Sheets



(56)

References Cited

U.S. PATENT DOCUMENTS

D909,850 S * 2/2021 Lin D8/331
2007/0114801 A1* 5/2007 Lin E05B 63/04
292/336.3
2014/0028439 A1* 1/2014 Lien G07C 9/00563
340/5.53
2016/0371907 A1* 12/2016 Ma E05B 17/10
2019/0360238 A1* 11/2019 Liu E05B 17/14
2019/0371099 A1* 12/2019 Chen G06K 9/00302
2020/0354991 A1* 11/2020 Derham E05B 47/0012

FOREIGN PATENT DOCUMENTS

CN 305186193 * 10/2018
CN 305772154 * 12/2019
CN 306138078 * 5/2020
CN 306295807 * 5/2020
KR 301025407.0000 * 6/2019

OTHER PUBLICATIONS

Luston, Smart Keypad Door Lock, Date first available Dec. 21, 2020, [online]retrieved Feb. 16, 2021, available from internet, https://www.amazon.com/Deadbolt-Anti-theft-Bluetooth-Fingerprint-Biometric/dp/B08R3H8BZG/ref=sr_1_63?dchi (Year: 2020).*

* cited by examiner

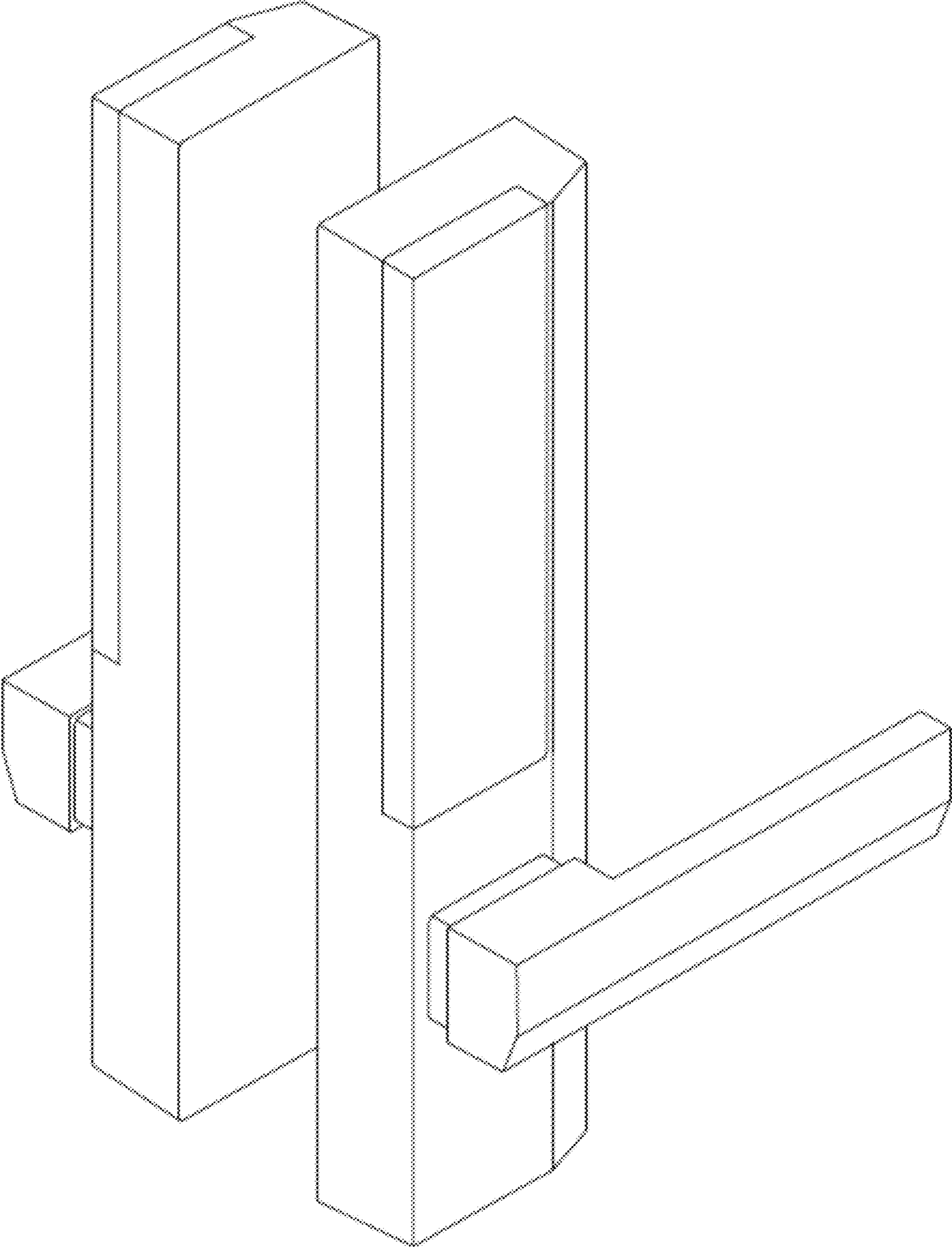


FIG. 1

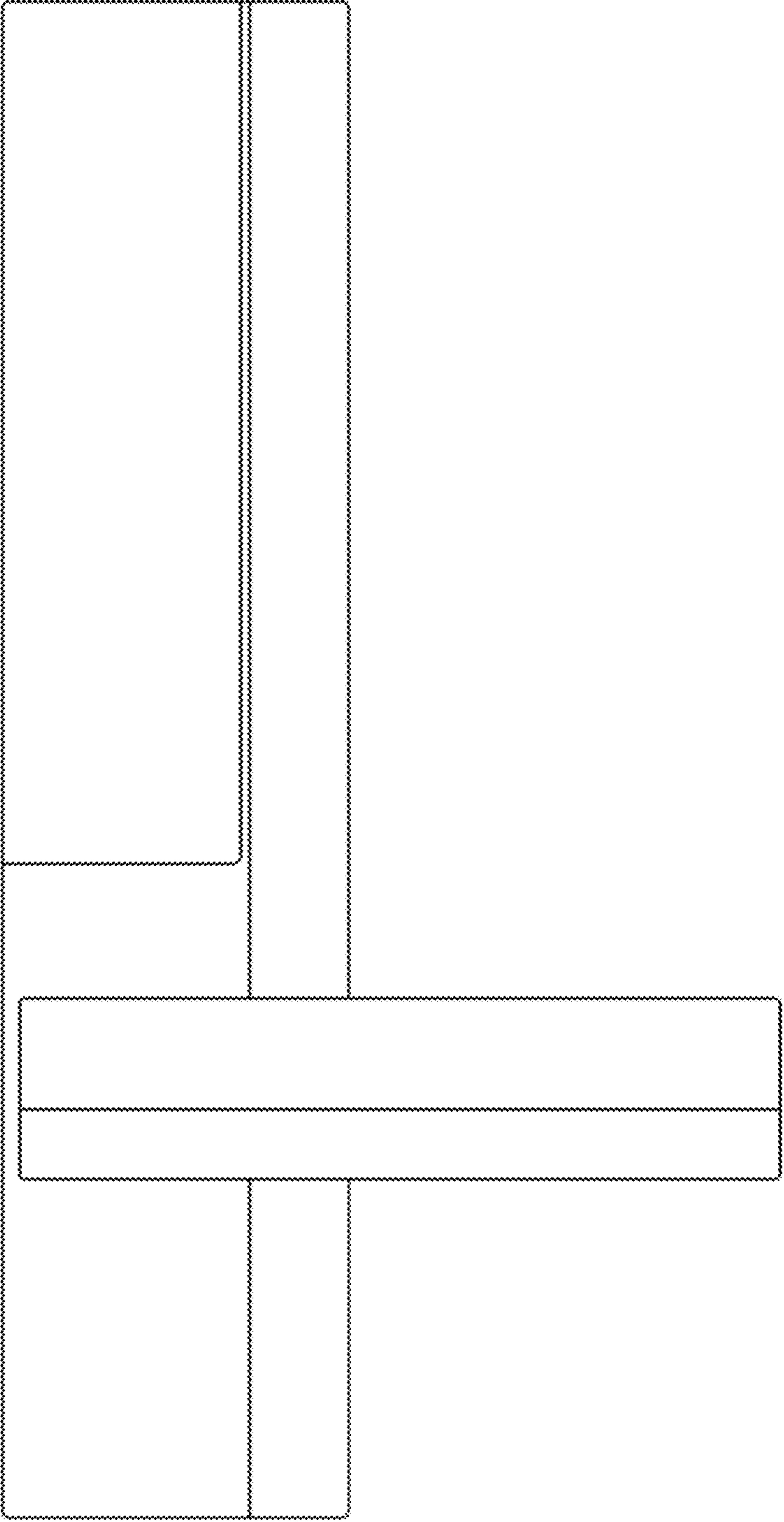


FIG. 2

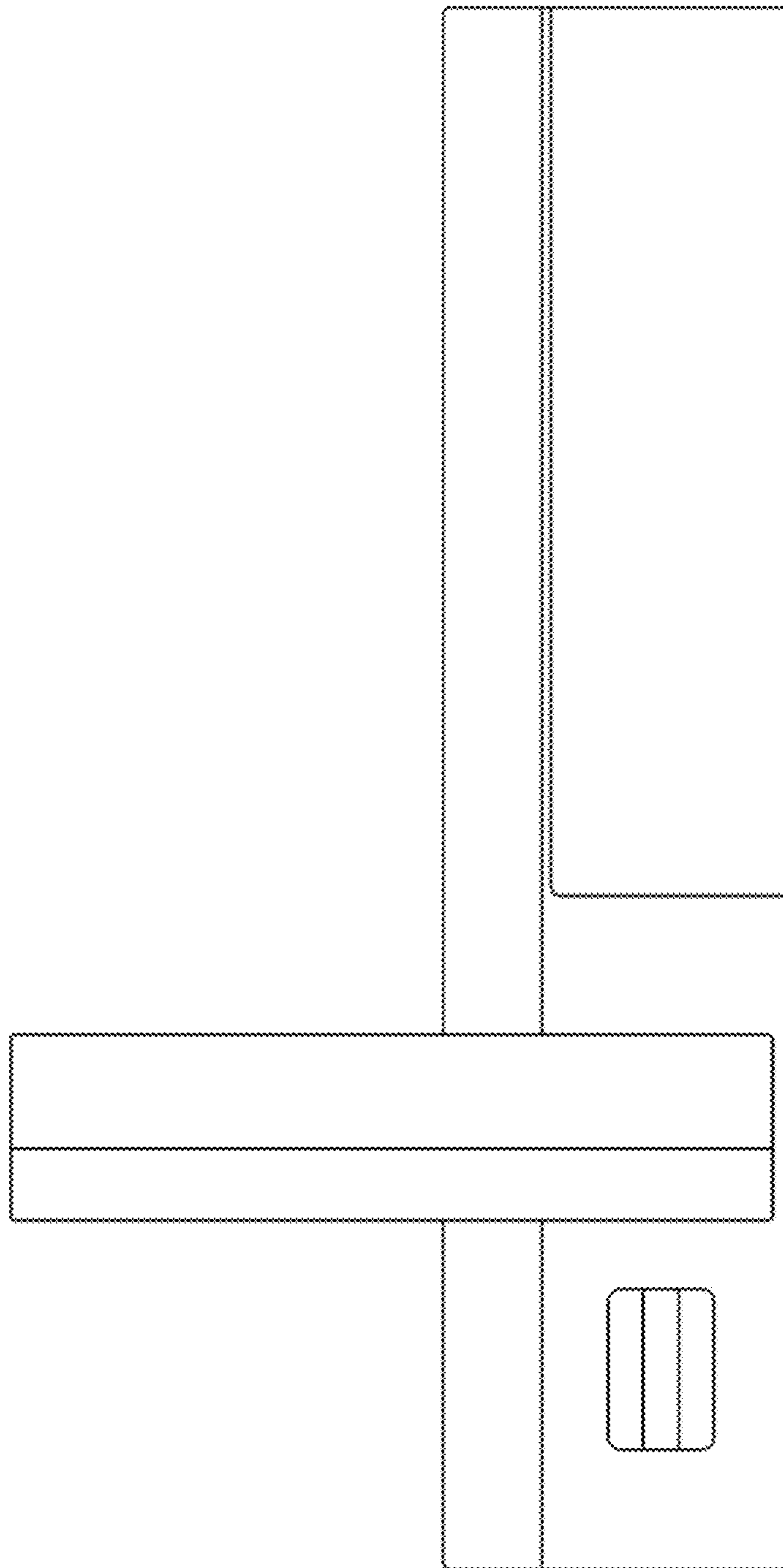


FIG. 3

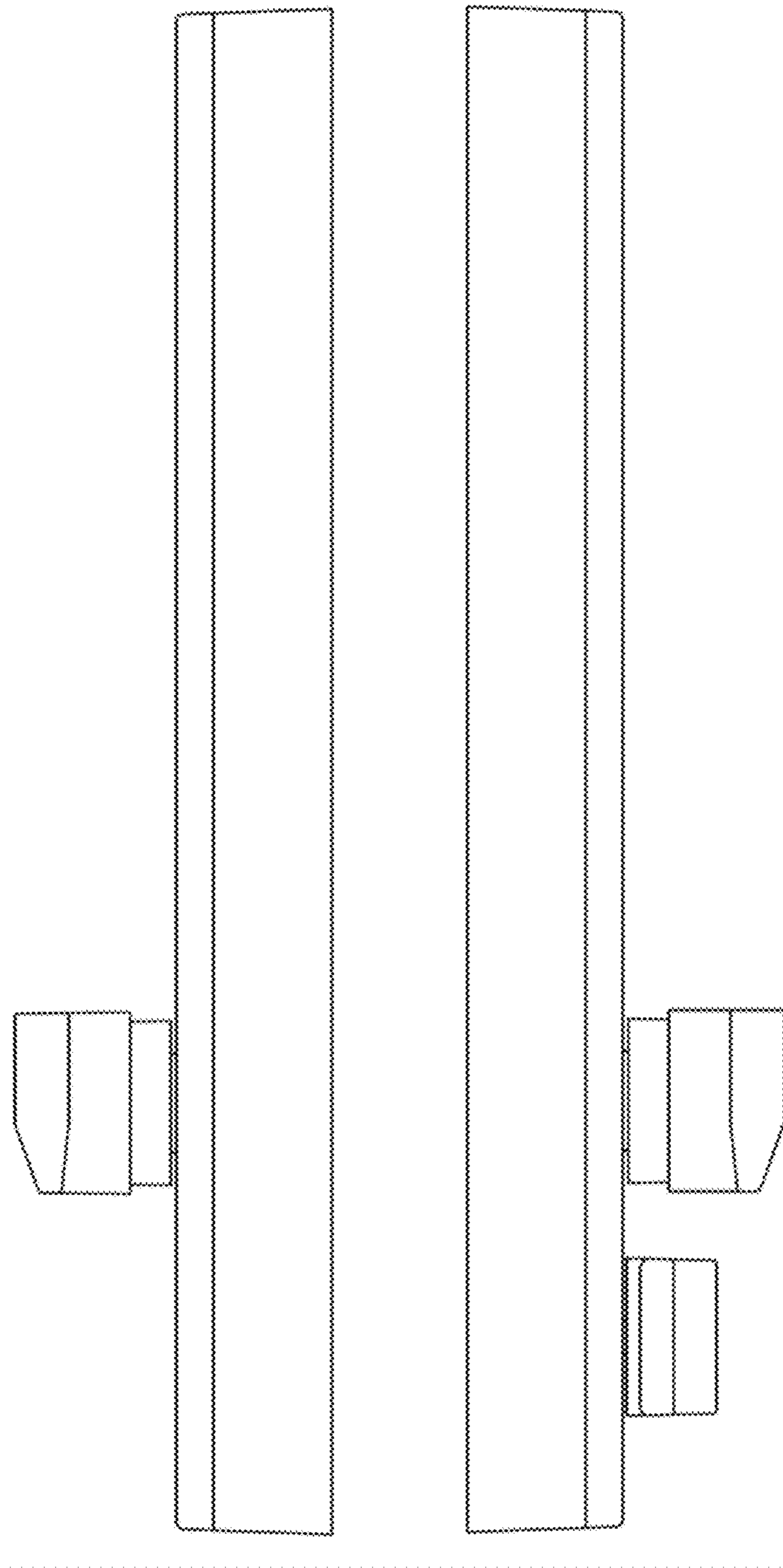


FIG. 4

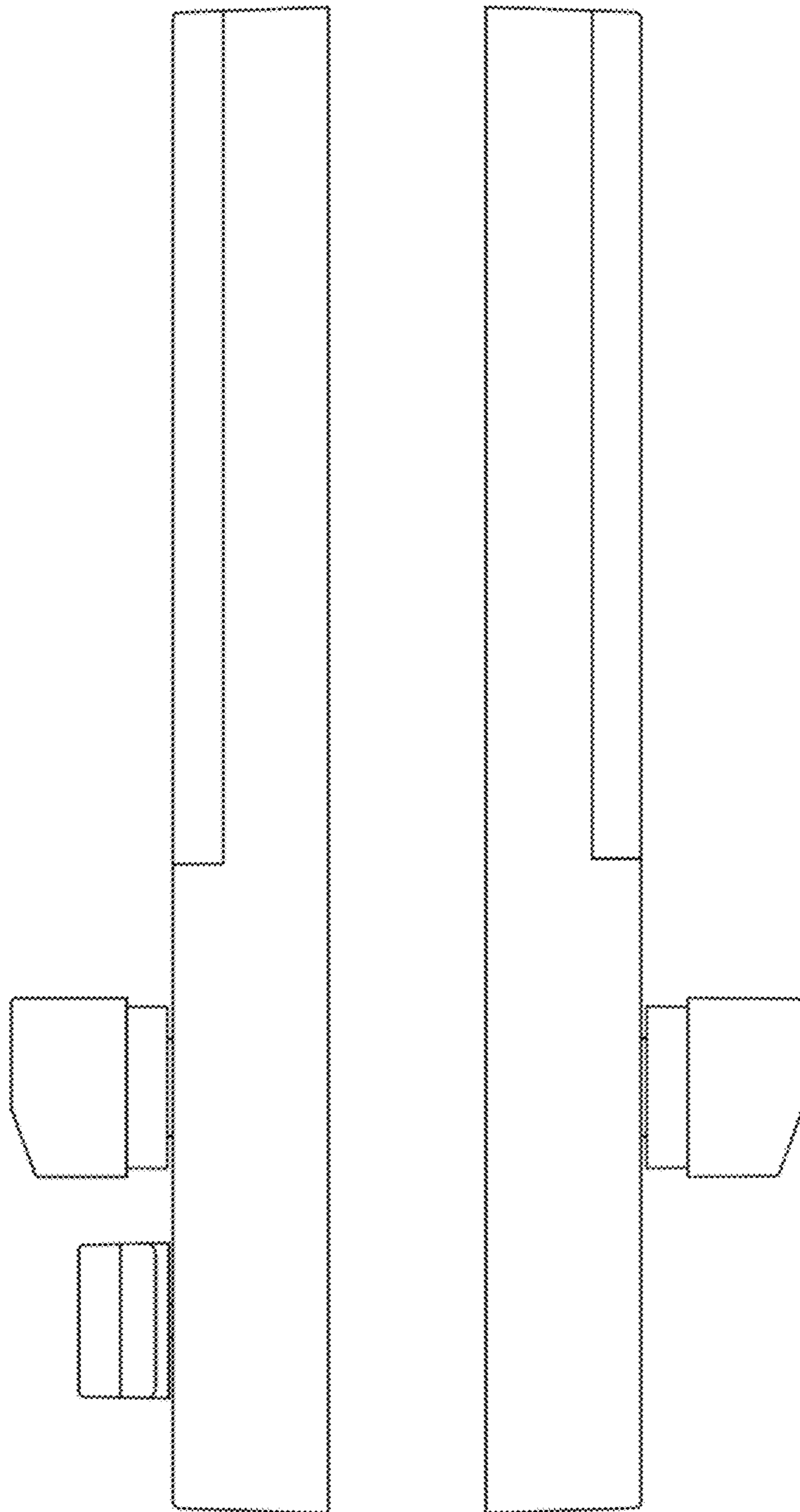


FIG. 5

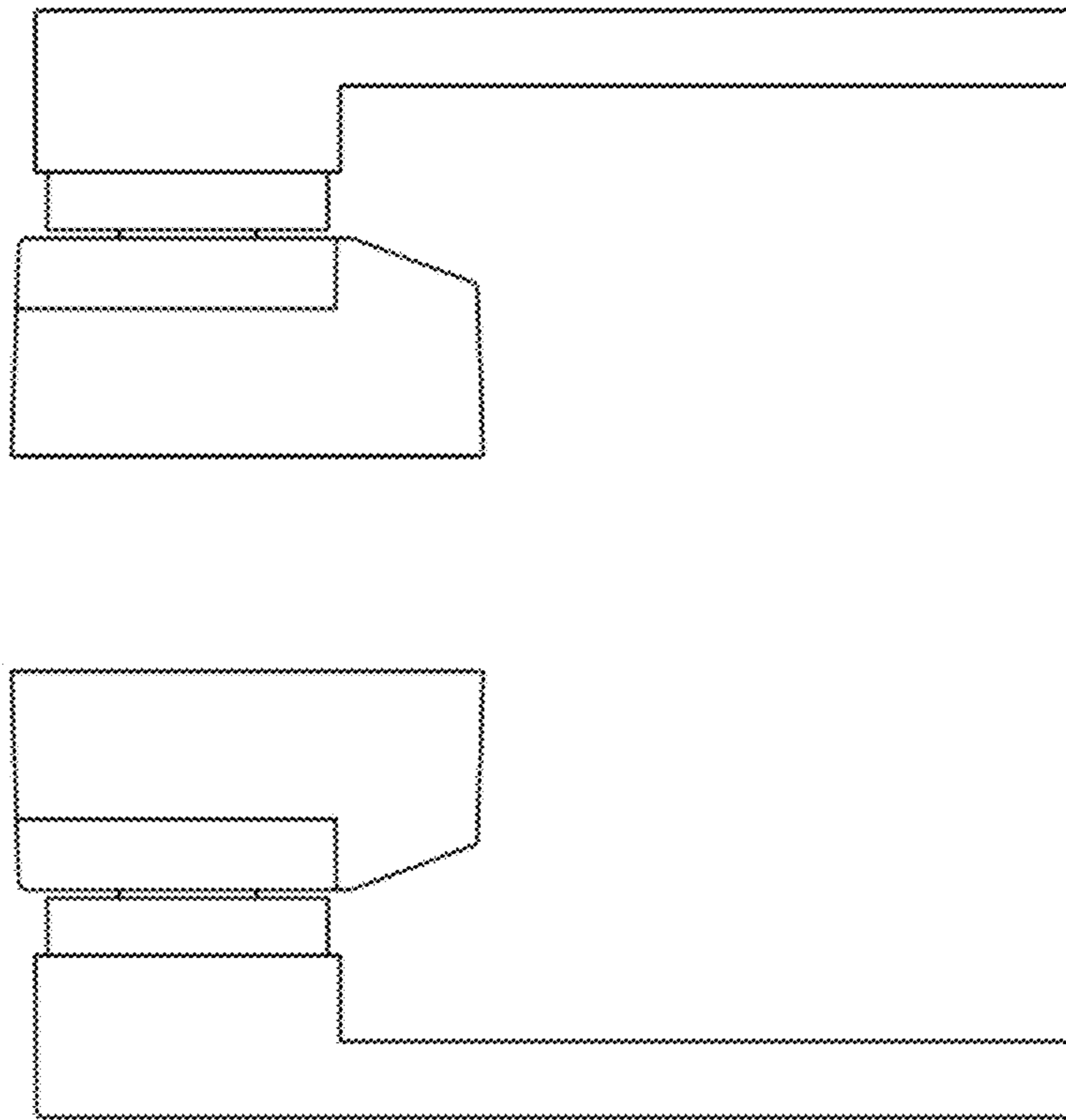


FIG. 6

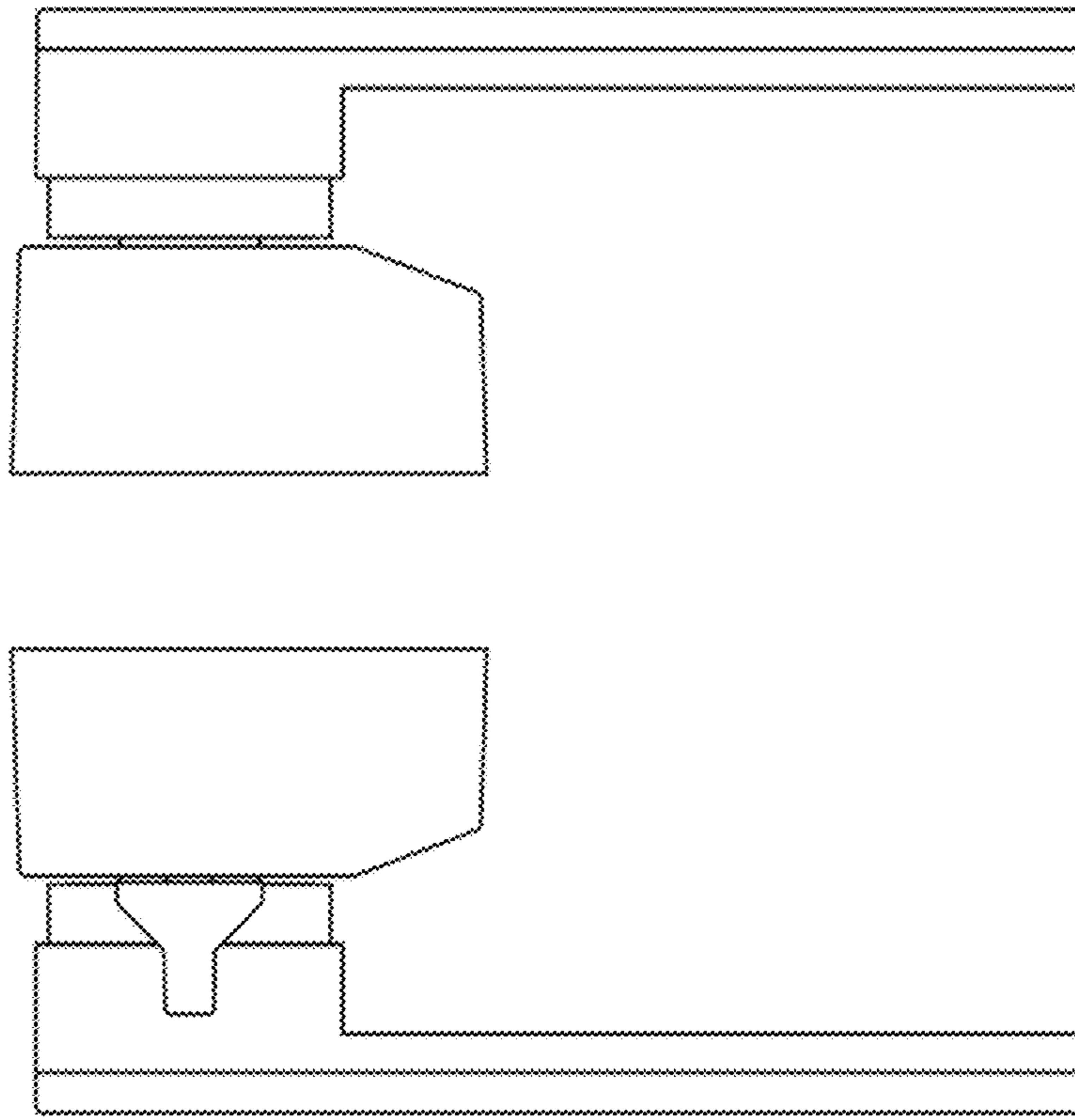


FIG. 7