



US00D916574S

(12) **United States Design Patent** (10) **Patent No.:** **US D916,574 S**
Lopez (45) **Date of Patent:** **** Apr. 20, 2021**

(54) **CUTTING TOOL**

(71) Applicant: **Iron Pine LLC**, Boise, ID (US)

(72) Inventor: **Maria D. Lopez**, Boise, ID (US)

(73) Assignee: **IRON PINE LLC**, Boise, ID (US)

(**) Term: **15 Years**

(21) Appl. No.: **29/714,239**

(22) Filed: **Nov. 21, 2019**

(51) **LOC (13) Cl.** **08-04**

(52) **U.S. Cl.**
USPC **D8/76**

(58) **Field of Classification Search**
USPC ... D8/11, 75, 76, 77, 78, 79, 80, 81, 88, 89;
D22/118
CPC B26B 23/00; B25D 1/00; B25D 1/045;
B25D 1/06; B25G 1/01; B25G 1/08;
B25G 1/10; B25G 3/28; B25G 3/34;
B25F 1/006; A01B 1/10; A01B 1/227
See application file for complete search history.

(56) **References Cited**

U.S. PATENT DOCUMENTS

- 4,433,709 A * 2/1984 Porter B25D 1/04
30/308.1
- D329,366 S * 9/1992 Ragoonath D8/105
- 5,647,080 A * 7/1997 Martin A47G 27/0487
30/308.1
- D510,691 S * 10/2005 Storm D8/76
- D521,344 S * 5/2006 Hung D8/76
- D521,345 S * 5/2006 Hung D8/76
- D521,840 S * 5/2006 Hung D8/76
- 7,062,809 B2 * 6/2006 Sheffield B25D 1/06
7/144
- D549,065 S * 8/2007 Chen D8/76
- D549,540 S * 8/2007 Chen D8/76

- D608,615 S * 1/2010 Knight D8/76
- D622,122 S * 8/2010 Branby D8/76
- D775,923 S * 1/2017 Klingman D8/76

(Continued)

Primary Examiner — Philip S Hyder

(74) *Attorney, Agent, or Firm* — Hawley Troxell Ennis & Hawley LLP; Philip McKay

(57) **CLAIM**

The ornamental design for a cutting tool, as shown and described.

DESCRIPTION

FIG. 1 is a perspective view of a first embodiment of a cutting tool in accordance with the new design.

FIG. 2 is a right side view of the cutting tool shown in FIG. 1.

FIG. 3 is a left side view of the cutting tool shown in FIG. 1.

FIG. 4 is a rear view of the cutting tool shown in FIG. 1.

FIG. 5 is a front view of the cutting tool shown in FIG. 1.

FIG. 6 is a top view of the cutting tool shown in FIG. 1.

FIG. 7 is a bottom view of the cutting tool shown in FIG. 1.

FIG. 8 is a perspective view of a second embodiment of a cutting tool in accordance with the new design.

FIG. 9 is a right side view of the cutting tool shown in FIG. 8.

FIG. 10 is a left side view of the cutting tool shown in FIG. 8.

FIG. 11 is a rear view of the cutting tool shown in FIG. 8.

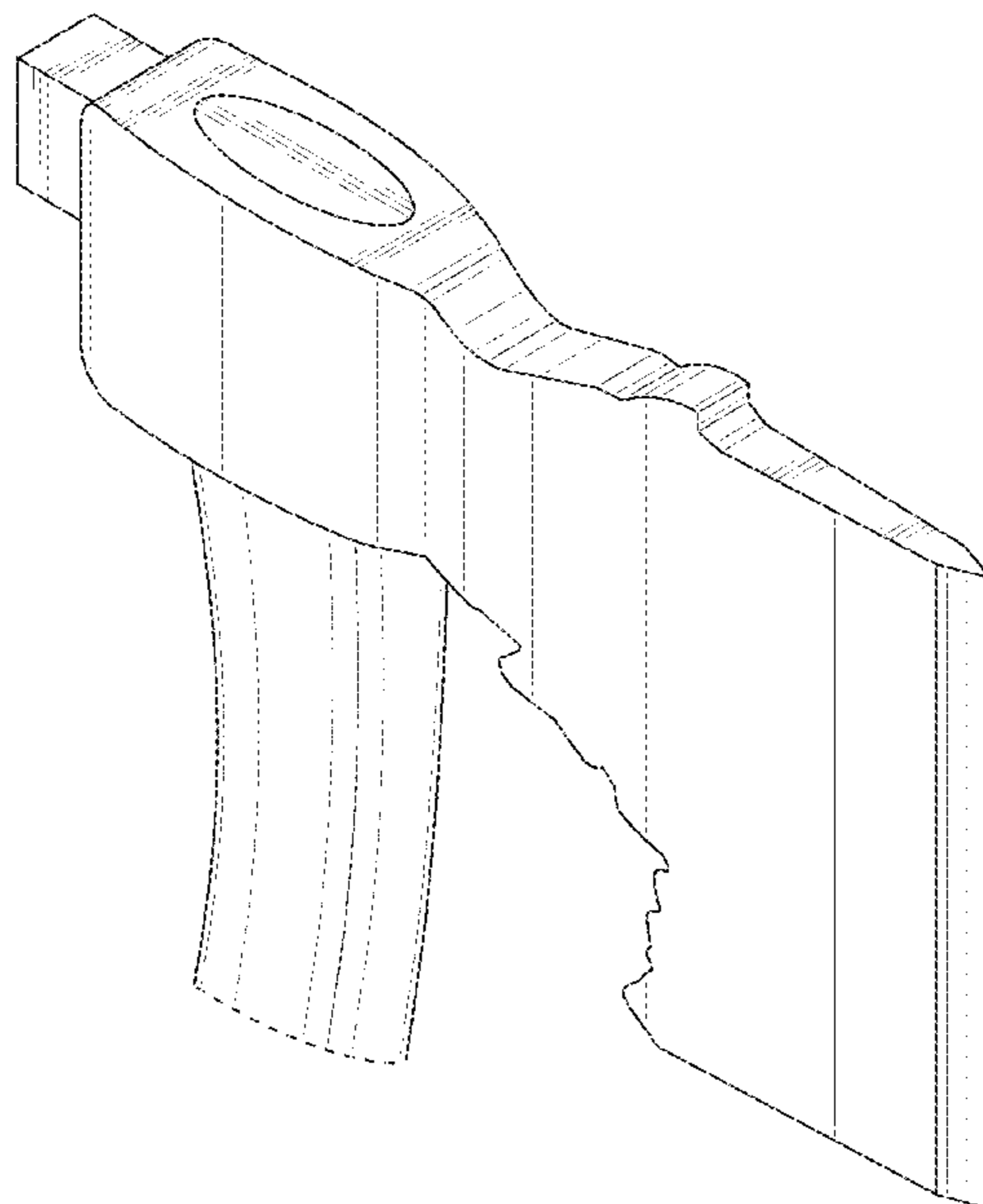
FIG. 12 is a front view of the cutting tool shown in FIG. 8.

FIG. 13 is a top view of the cutting tool shown in FIG. 8; and,

FIG. 14 is a bottom view of the cutting tool shown in FIG. 8.

The broken lines shown in the drawings illustrate a boundary and form no part of the claimed design.

1 Claim, 14 Drawing Sheets



(56)

References Cited

U.S. PATENT DOCUMENTS

D863,018 S * 10/2019 Hernandez, Jr. D8/81
D897,804 S * 10/2020 Genzow D8/78

* cited by examiner

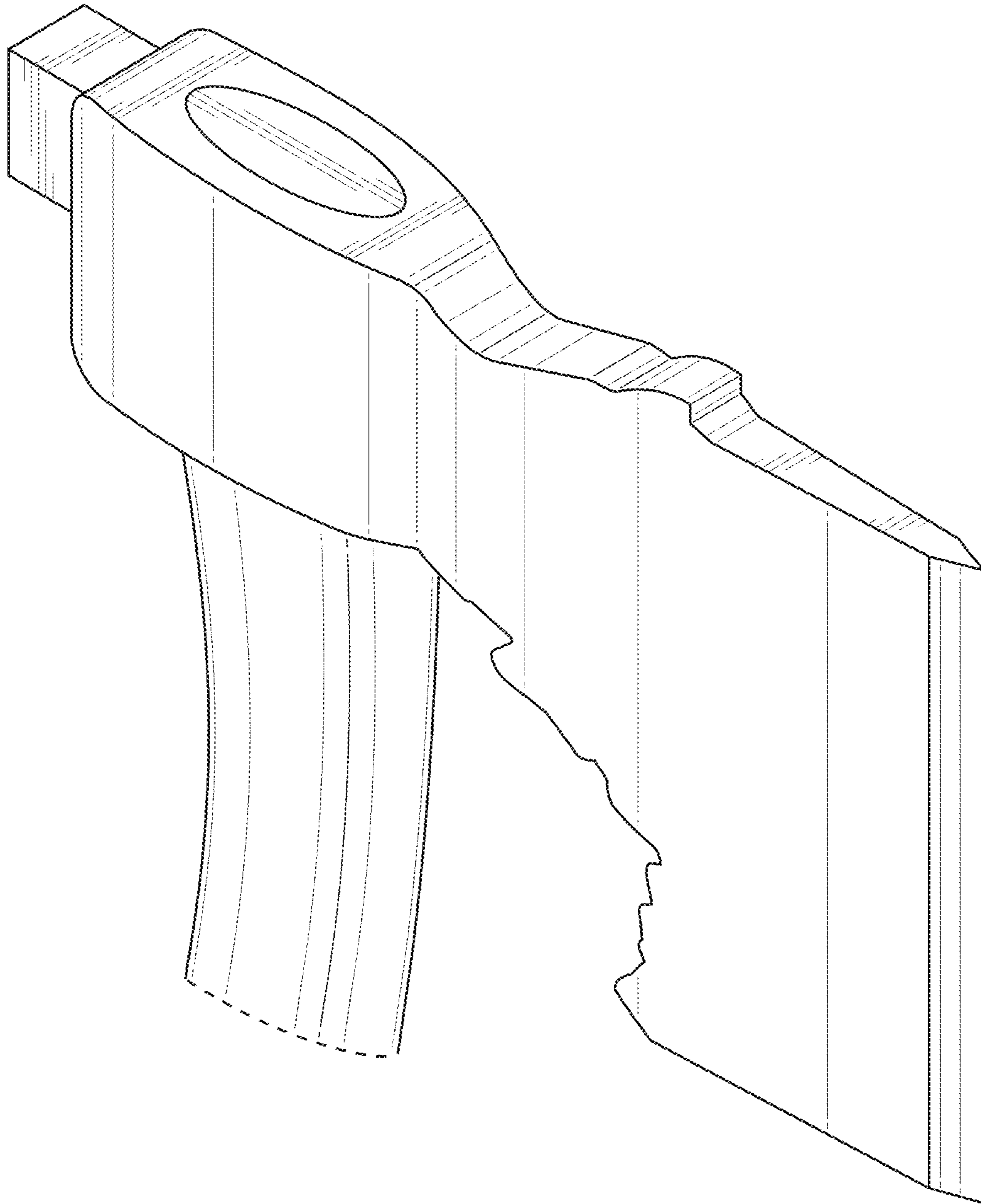


FIG. 1

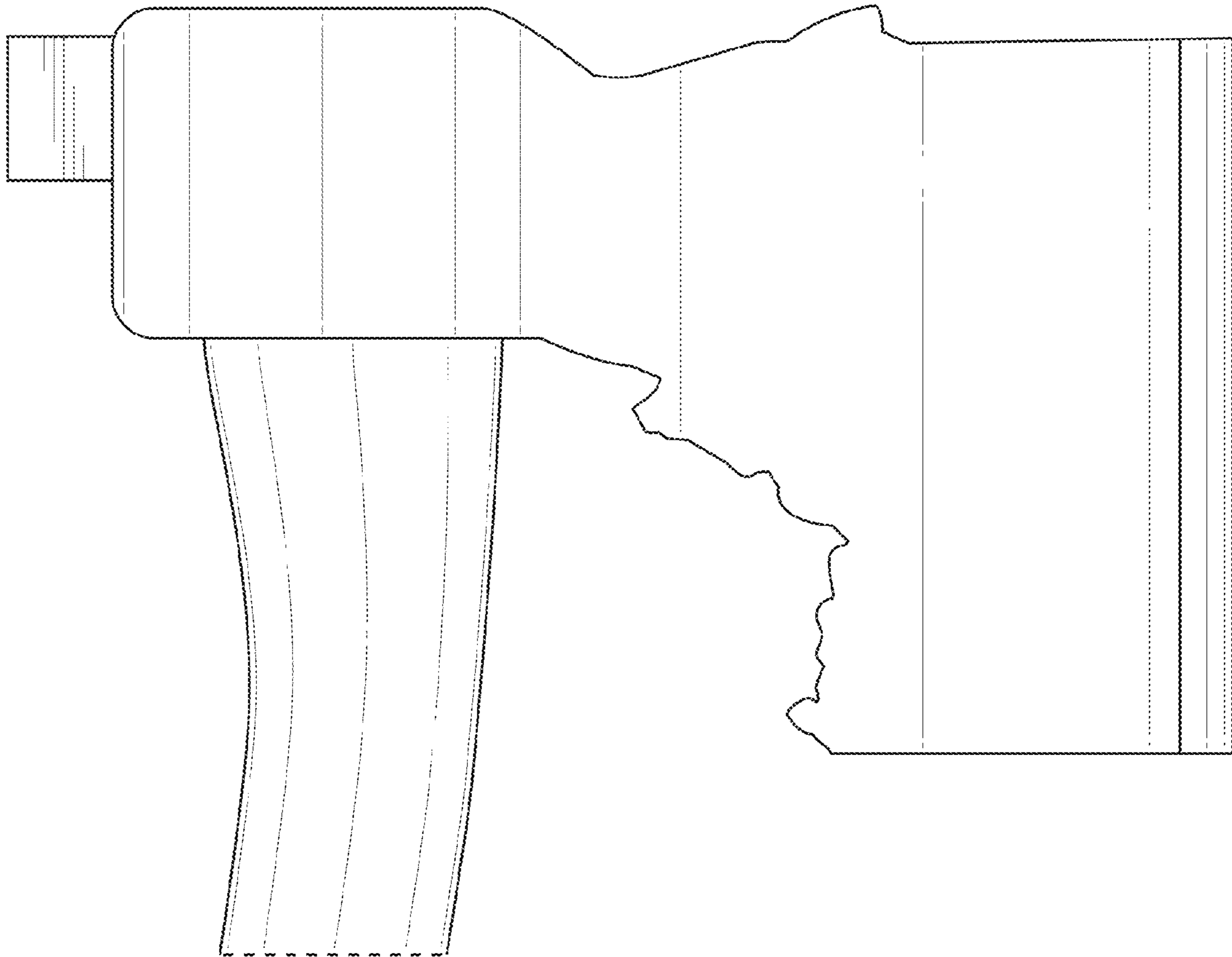


FIG. 2

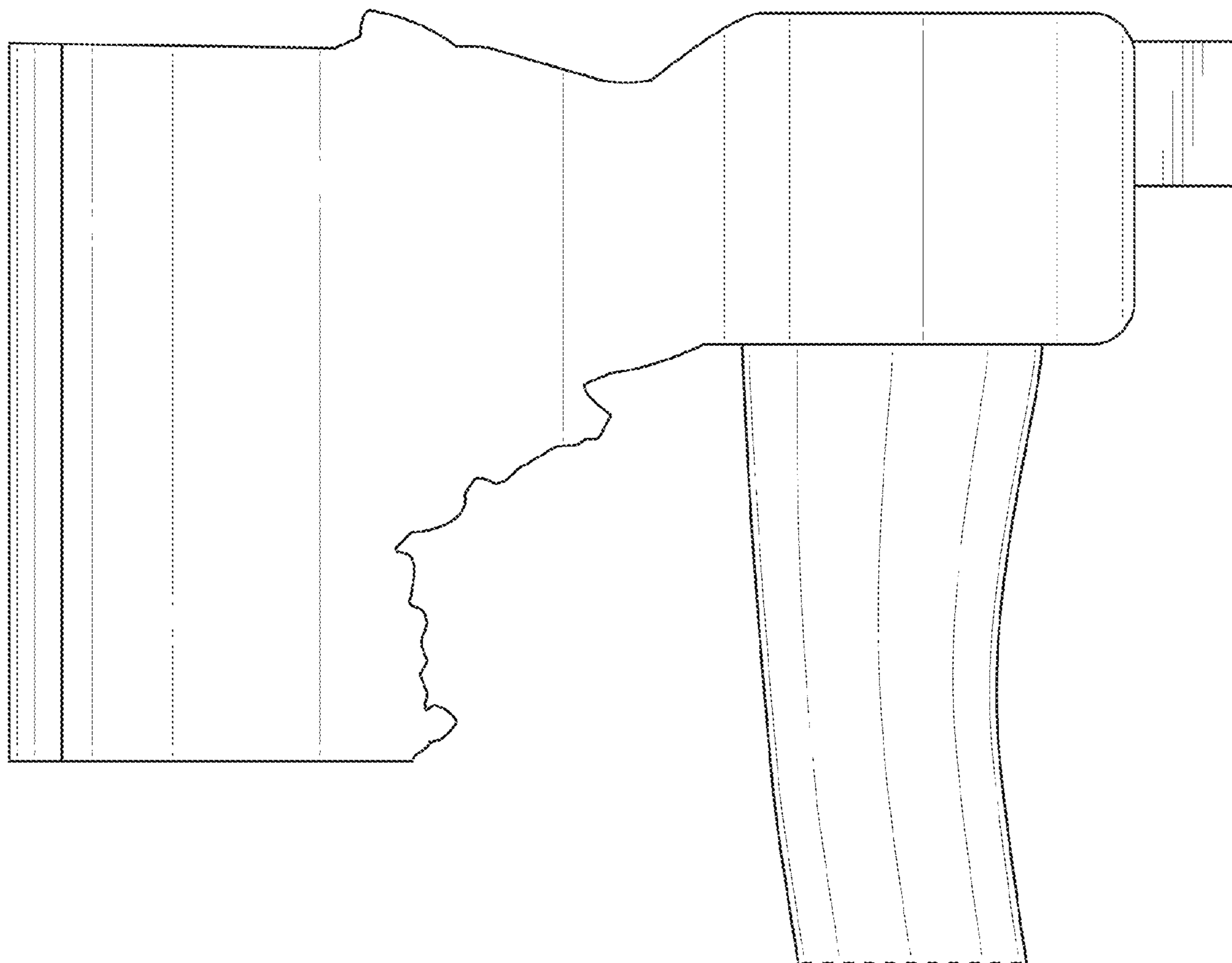


FIG. 3

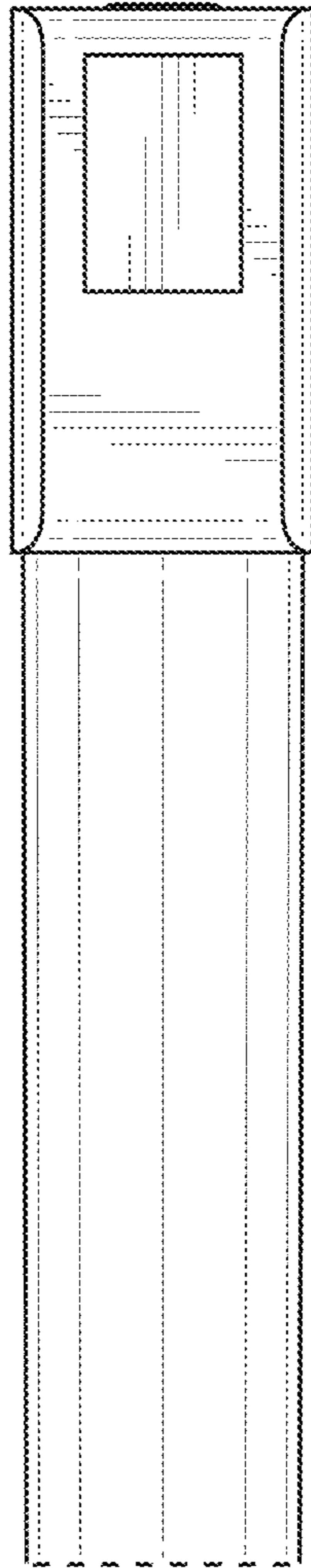


FIG. 4

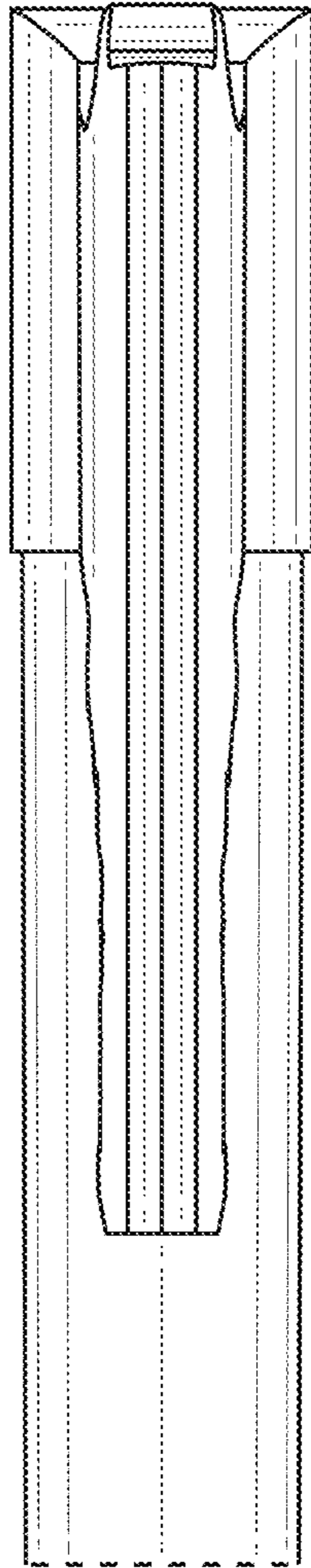


FIG. 5

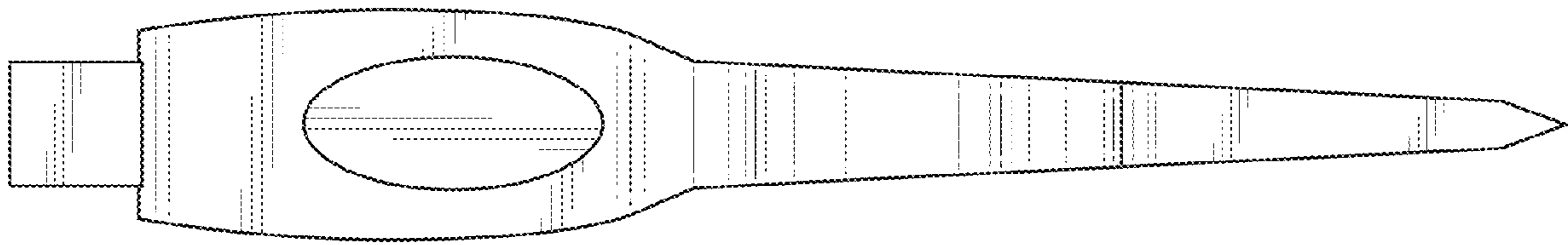


FIG. 6

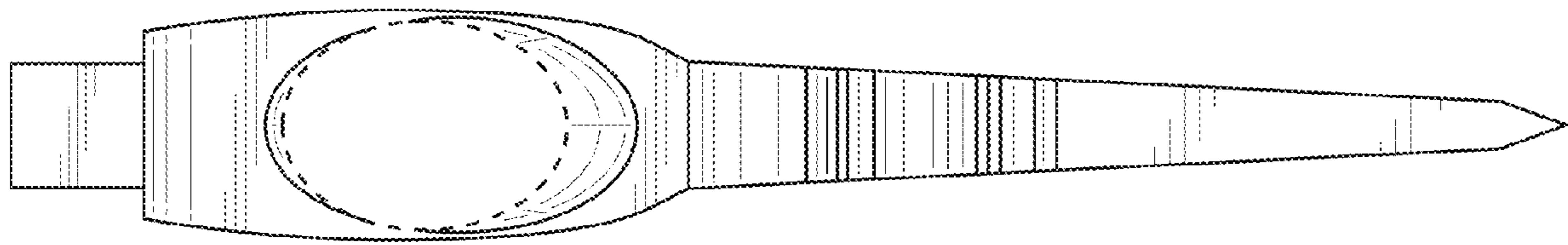


FIG. 7

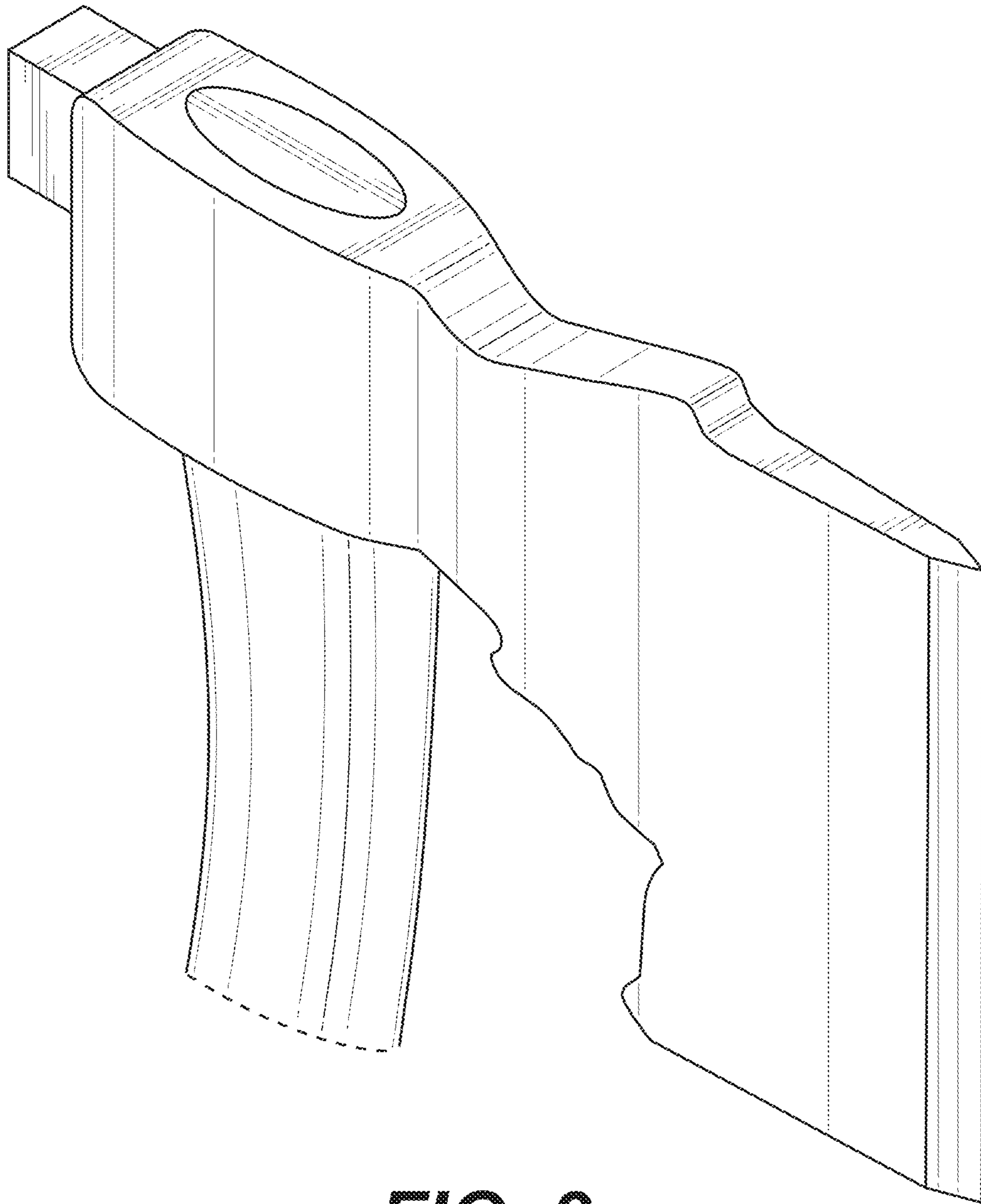


FIG. 8

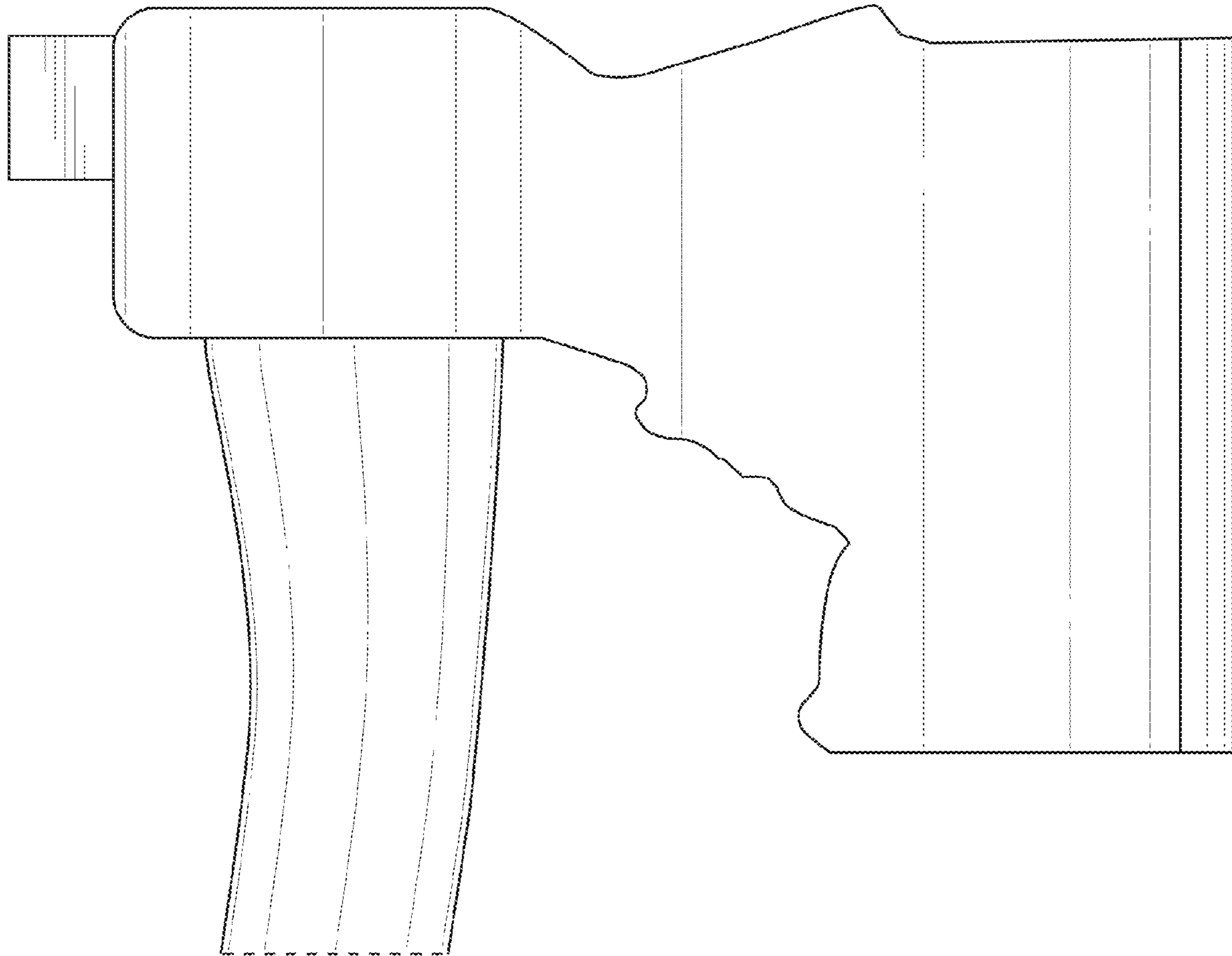


FIG. 9

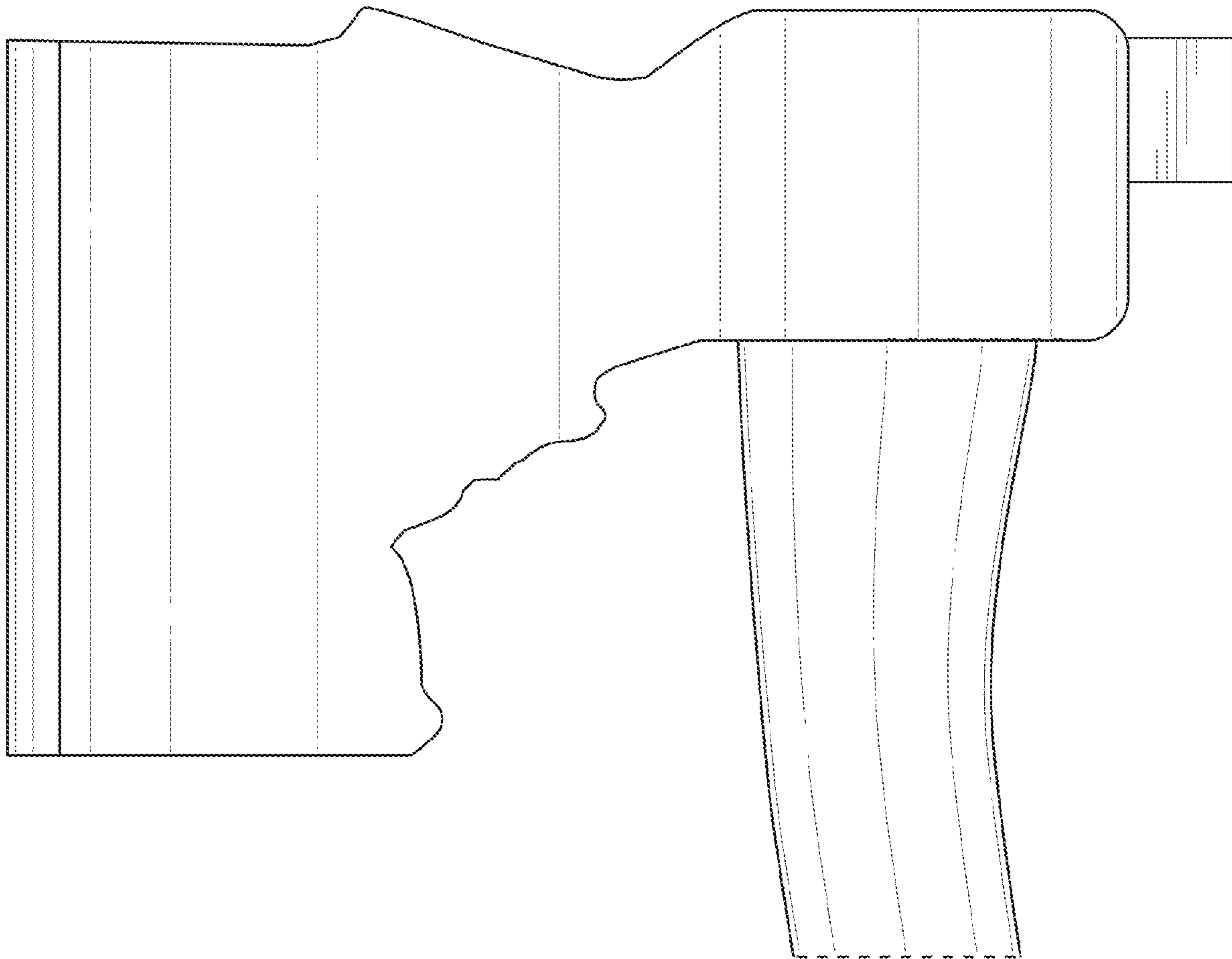


FIG. 10

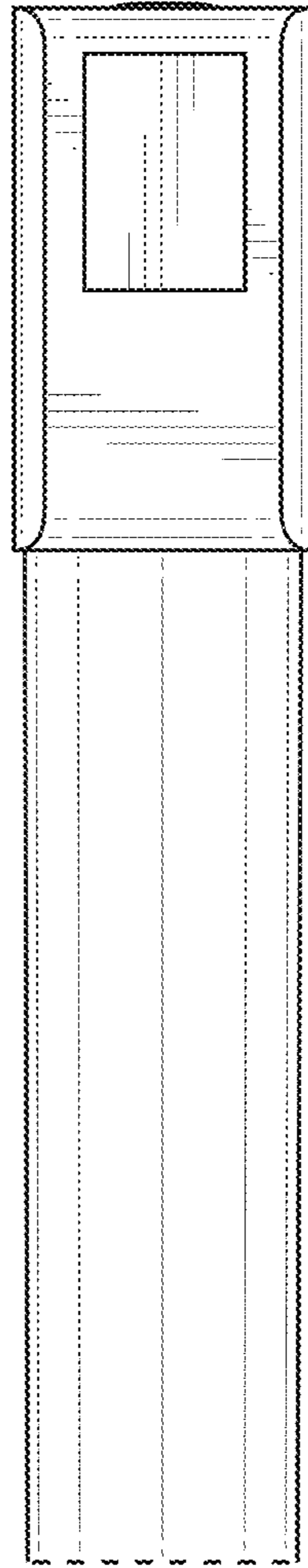


FIG. 11

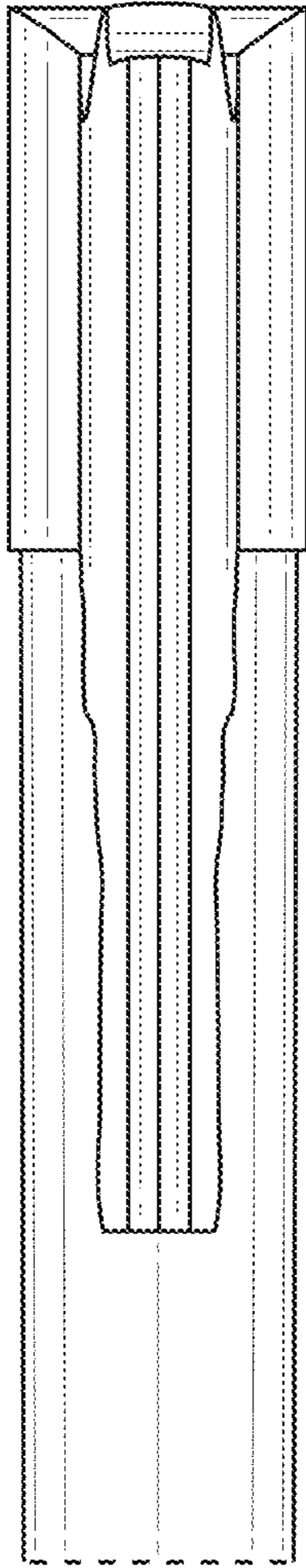


FIG. 12

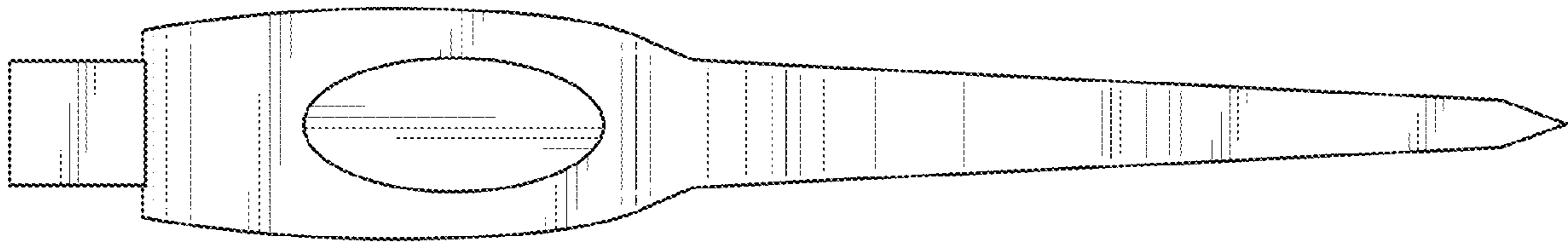


FIG. 13

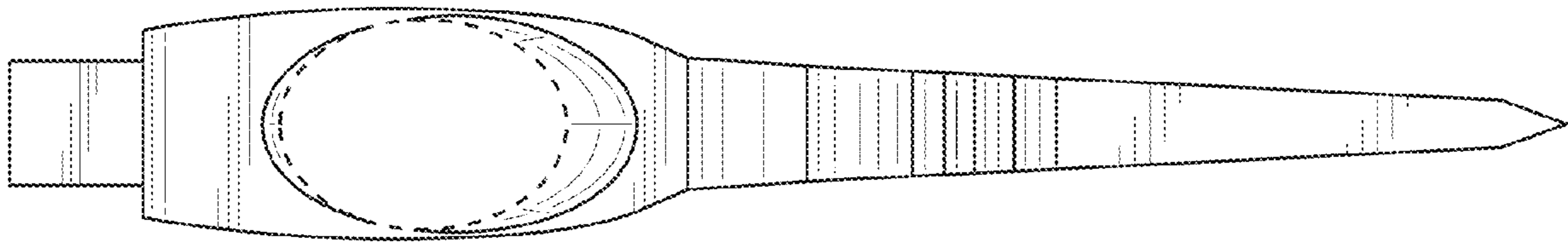


FIG. 14