



US00D916571S

(12) **United States Design Patent**  
**Wang**

(10) **Patent No.:** **US D916,571 S**

(45) **Date of Patent:** **\*\* Apr. 20, 2021**

(54) **REFITTING TOOL FOR VEHICLE**

(71) Applicant: **Min Wang**, Linyi (CN)

(72) Inventor: **Min Wang**, Linyi (CN)

(\*\*) Term: **15 Years**

(21) Appl. No.: **29/717,711**

(22) Filed: **Dec. 18, 2019**

(51) **LOC (13) Cl.** ..... **08-05**

(52) **U.S. Cl.**  
USPC ..... **D8/14; D8/88**

(58) **Field of Classification Search**  
USPC ..... D8/14, 47, 88, 89, 105  
CPC ..... B25C 11/00; B66F 15/00; B25B 27/0035;  
B25B 27/0092; Y10T 29/49822; Y10T  
29/53835; Y10T 29/53896  
See application file for complete search history.

(56) **References Cited**

**U.S. PATENT DOCUMENTS**

4,274,826	A *	6/1981	Huey	.....	A61C 3/06 30/294
D277,640	S *	2/1985	Drexler	.....	D8/88
D303,344	S *	9/1989	Broadus	.....	D8/40
D314,319	S *	2/1991	Keller	.....	D8/107
D344,665	S *	3/1994	Baker	.....	D8/88
D397,015	S *	8/1998	Hall	.....	D8/14
D439,479	S *	3/2001	Steck	.....	D8/14
D440,132	S *	4/2001	Su	.....	D8/14
D479,970	S *	9/2003	Hutchinson	.....	D8/16
D602,323	S *	10/2009	Alleyne	.....	D8/14
D727,700	S *	4/2015	Huang	.....	D8/31

2008/0127473	A1 *	6/2008	Yu	.....	B25B 27/0092 29/267
2008/0315165	A1 *	12/2008	Prater	.....	B25B 27/00 254/25
2018/0127250	A1 *	5/2018	Bizyaev	.....	B66F 15/00

**OTHER PUBLICATIONS**

Harbor Freight website, Pittsburg Automotive trim tool set, offered for sale since 2010.\*

Amazon.com Tressalto automotive fastener removal tool set. reviewed Dec. 18, 2016.\*

\* cited by examiner

*Primary Examiner* — Philip S Hyder

(74) *Attorney, Agent, or Firm* — W&K IP

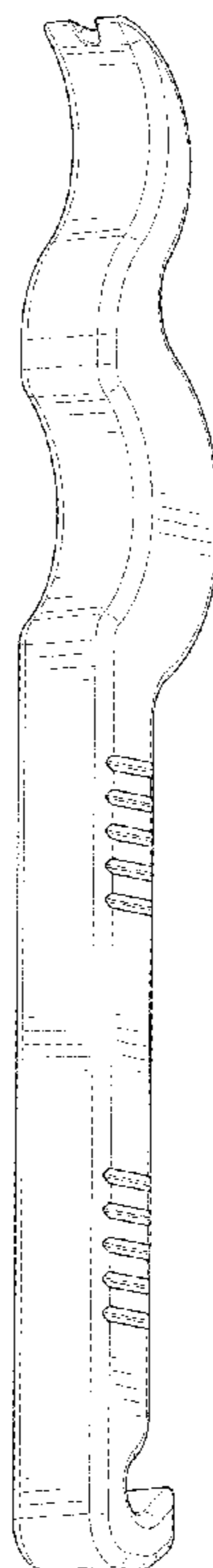
(57) **CLAIM**

The ornamental design for a refitting tool for vehicle, as shown and described.

**DESCRIPTION**

FIG. 1 is a front perspective view of a refitting tool for vehicle, showing my new design;  
FIG. 2 is a rear perspective view thereof;  
FIG. 3 is a front elevational view thereof;  
FIG. 4 is a rear elevational view thereof;  
FIG. 5 is a left side devotional view thereof;  
FIG. 6 is a right side elevational view thereof;  
FIG. 7 is a top plan view thereat; and,  
FIG. 8 is a bottom plan view thereof.

**1 Claim, 8 Drawing Sheets**



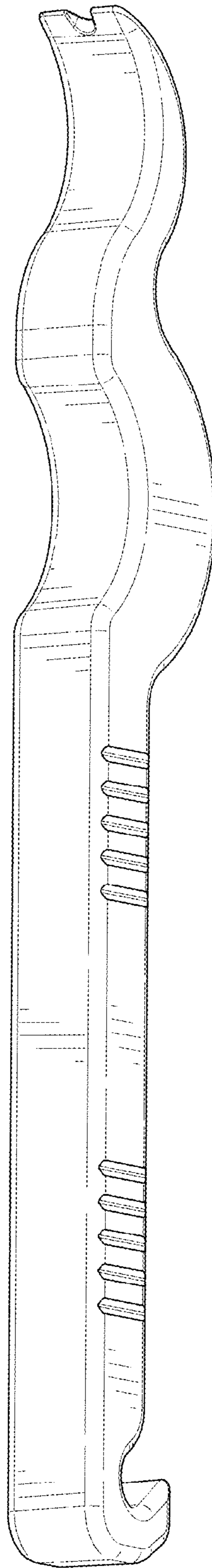


FIG. 1

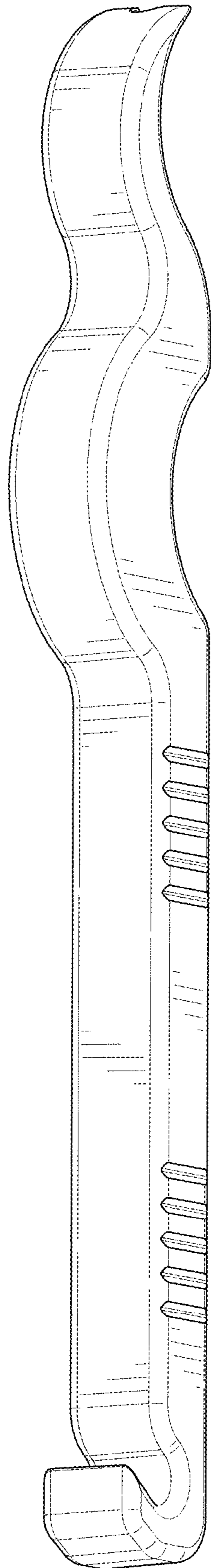


FIG. 2

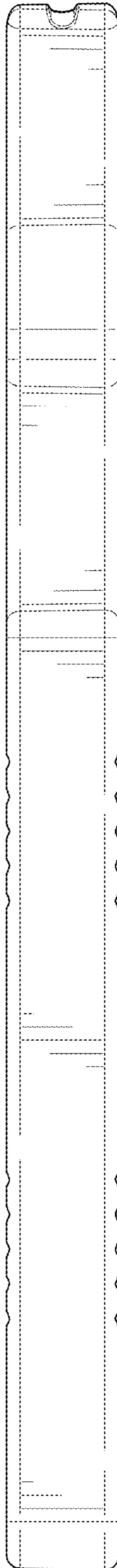


FIG. 3

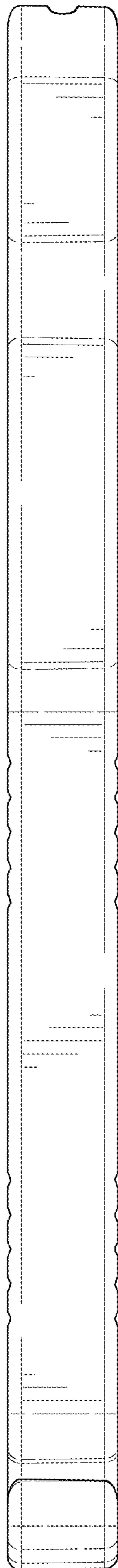


FIG. 4

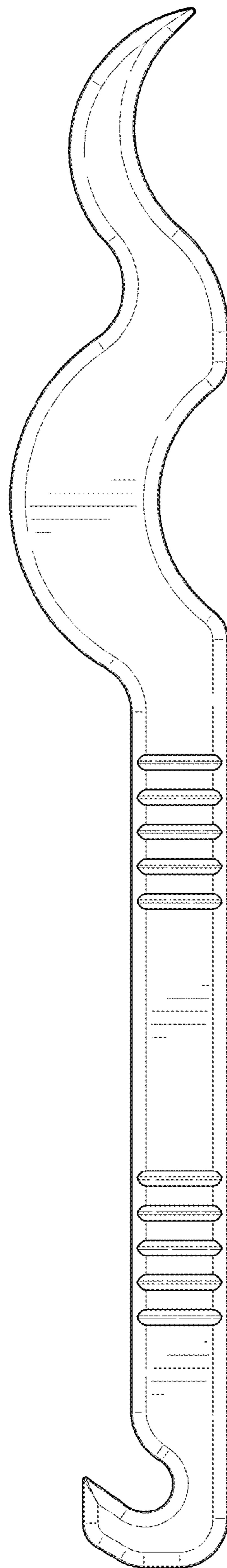


FIG. 5

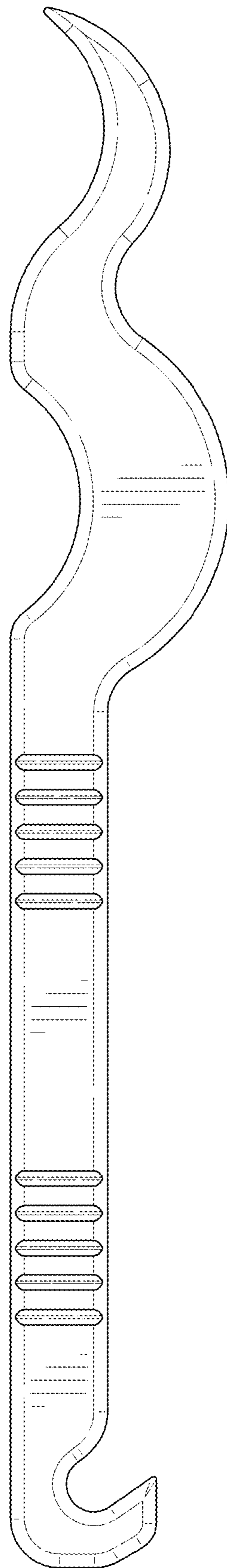


FIG. 6

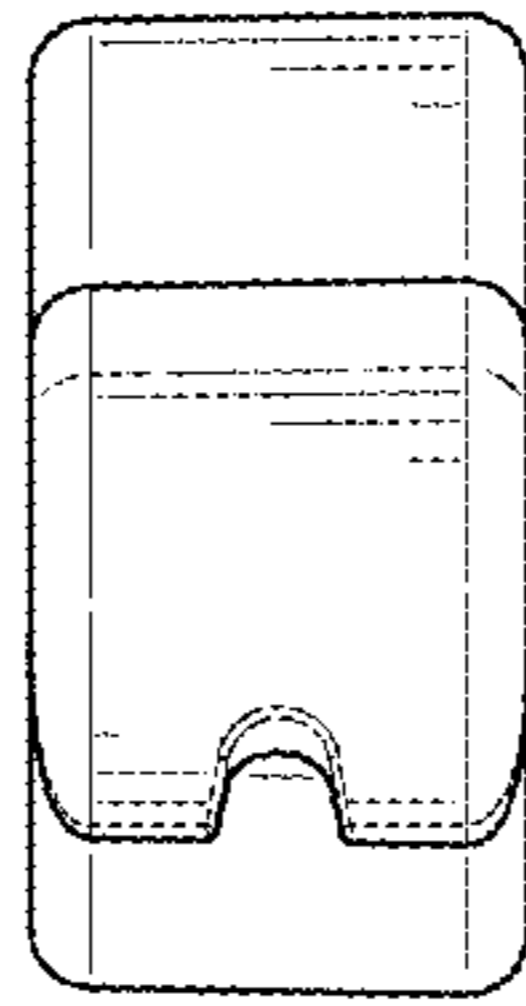


FIG. 7



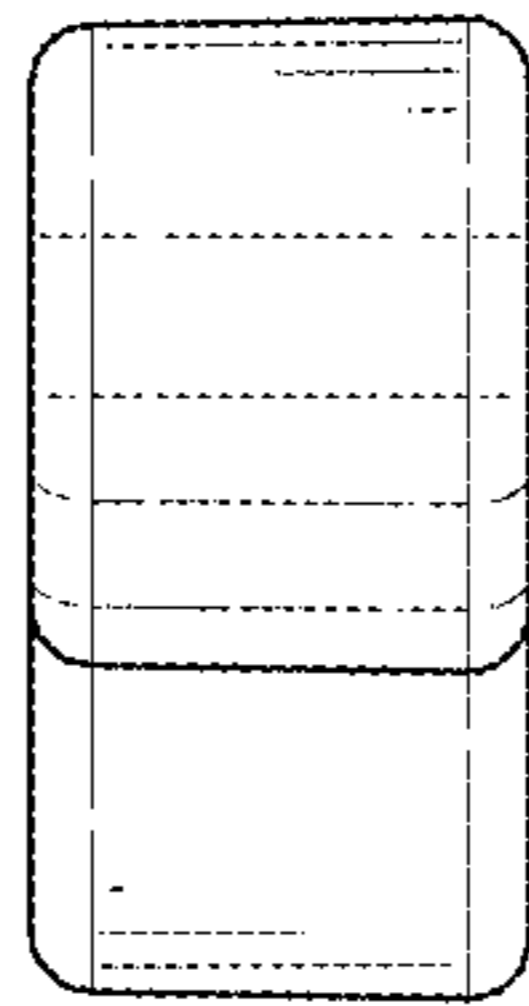


FIG. 8