



US00D916569S

(12) **United States Design Patent**  
**Hsu et al.**

(10) **Patent No.: US D916,569 S**  
(45) **Date of Patent: \*\* Apr. 20, 2021**

(54) **HAND-HELD SPREADER**  
(71) Applicant: **OMS INVESTMENTS, INC.**, Los Angeles, CA (US)  
(72) Inventors: **Paul E. Hsu**, Lewis Center, OH (US);  
**Ryan R. Berger**, Columbus, OH (US);  
**Chris C. Cicenas**, Etna, OH (US);  
**Daniel Wisniewski**, Columbus, OH (US)

4,140,280 A \* 2/1979 Allen ..... A01C 15/02  
239/654  
4,387,852 A 6/1983 Mattson et al.  
4,473,184 A \* 9/1984 Martin ..... A01C 3/063  
239/662  
4,492,341 A 1/1985 Allen  
4,678,377 A 7/1987 Bouchard  
D296,789 S \* 7/1988 Larsson ..... D15/13  
(Continued)

(73) Assignee: **OMS Investments, Inc.**, Los Angeles, CA (US)

CN 2781741 Y 5/2006  
CN 201064099 Y 5/2008  
(Continued)

(\*\*) Term: **15 Years**

FOREIGN PATENT DOCUMENTS

(21) Appl. No.: **29/672,819**

OTHER PUBLICATIONS  
“Wolf Garten Power Spreader WE-B,” spec page (Jan. 2014).  
(Continued)

(22) Filed: **Dec. 10, 2018**

(51) **LOC (13) Cl.** ..... **08-01**

*Primary Examiner* — Mark A Goodwin

(52) **U.S. Cl.**  
USPC ..... **D8/2; D15/13**

(74) *Attorney, Agent, or Firm* — Ulmer & Berne LLP

(58) **Field of Classification Search**  
USPC ..... D8/2; D15/13  
CPC ..... A01C 15/02; A01C 15/00; A01C 15/04;  
A01C 15/006; A01C 7/00; A01C 7/02;  
E01H 10/007; E01C 2019/206; E01C  
19/203; E01C 19/205  
See application file for complete search history.

(57) **CLAIM**

The ornamental design of a hand-held spreader, as shown and described.

**DESCRIPTION**

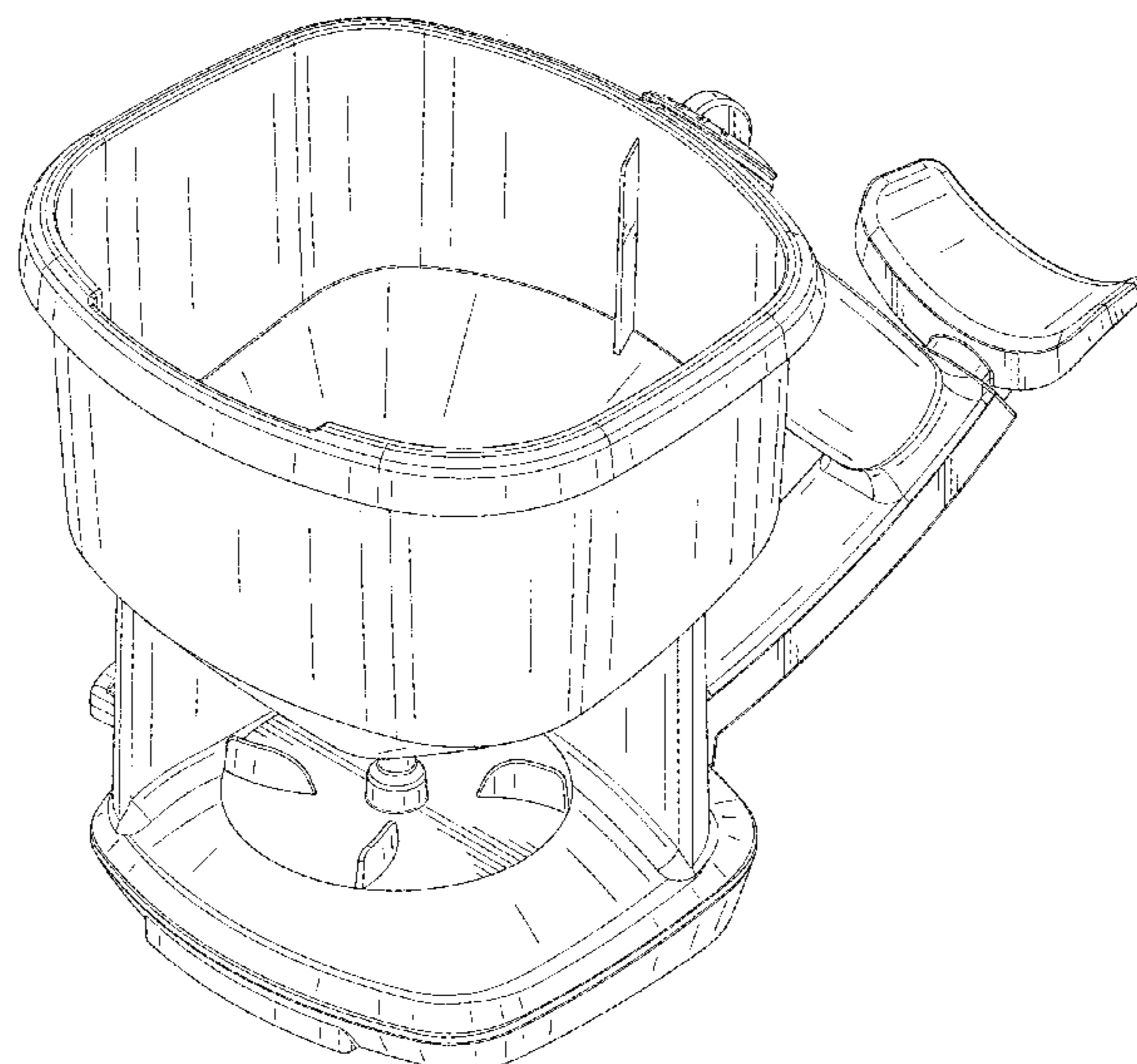
FIG. 1 is a top isometric view of an embodiment of a hand-held spreader illustrating the new design; FIG. 2 is a front elevational view thereof; FIG. 3 is a back elevational view thereof; FIG. 4 is a right side elevational view thereof; FIG. 5 is a left side elevational view thereof; FIG. 6 is a top planar view thereof; FIG. 7 is a bottom planar view thereof; and, FIG. 8 is a bottom isometric view thereof. The broken lines in the drawings are included for the purpose of illustrating portions of the hand-held spreader that form no part of the claimed design.

(56) **References Cited**

U.S. PATENT DOCUMENTS

3,157,402 A 11/1964 Love, Jr.  
3,227,461 A \* 1/1966 Love, Jr. .... A01C 15/02  
239/686  
D232,802 S 9/1974 Steinkamp  
3,993,225 A 11/1976 Manni  
4,062,496 A 12/1977 Melton  
4,071,170 A 1/1978 Gunzel et al.  
4,089,441 A \* 5/1978 Cole ..... A01C 15/02  
222/631

**1 Claim, 8 Drawing Sheets**



(56)

References Cited

U.S. PATENT DOCUMENTS

5,054,693 A 10/1991 Chow  
 5,119,993 A 6/1992 Gunzel, Jr. et al.  
 5,123,598 A \* 6/1992 Courtney ..... A01C 15/02  
 222/473  
 D327,823 S \* 7/1992 Demarest ..... D15/13  
 D333,951 S \* 3/1993 Courtney ..... D8/2  
 5,271,568 A 12/1993 Stevie  
 5,285,971 A \* 2/1994 Havlovitz ..... A01C 15/02  
 222/43  
 5,409,166 A 4/1995 Gunzel, Jr. et al.  
 5,429,278 A 7/1995 Sansalone  
 D387,638 S \* 12/1997 DeLaby ..... D8/2  
 D388,440 S \* 12/1997 Bentley ..... D15/13  
 6,024,294 A 2/2000 Dillon  
 6,053,436 A 4/2000 Morford  
 6,092,746 A 7/2000 Dillon  
 6,425,500 B2 7/2002 McNally  
 6,616,074 B2 9/2003 Courtney et al.  
 6,729,557 B2 5/2004 Dillon  
 6,840,468 B2 1/2005 Barnett  
 D534,044 S \* 12/2006 Zak ..... D8/2  
 7,281,675 B2 \* 10/2007 Elrod ..... B05B 3/087  
 239/663  
 7,328,861 B2 \* 2/2008 Sagol ..... A01C 15/02  
 222/333  
 8,191,804 B1 6/2012 Pullara, Jr.  
 8,272,584 B2 \* 9/2012 Barnett ..... E01H 10/007  
 239/687  
 D744,303 S 12/2015 Marconi  
 D796,922 S \* 9/2017 Hsu ..... D8/2  
 D823,655 S \* 7/2018 Dubiel ..... D8/2

D834,901 S 12/2018 Dubiel  
 D855,421 S \* 8/2019 Hsu ..... D8/2  
 10,595,458 B2 \* 3/2020 Hsu ..... E01H 10/007  
 D893,270 S \* 8/2020 Hsu ..... D8/2  
 2006/0016918 A1 \* 1/2006 Sagol ..... E01C 19/203  
 239/653  
 2006/0157518 A1 7/2006 Havlovitz et al.  
 2007/0194155 A1 8/2007 Kendall  
 2009/0277979 A1 11/2009 Cichy et al.  
 2013/0001332 A1 1/2013 Marconi, Jr.  
 2014/0166785 A1 6/2014 Barnett et al.  
 2014/0263484 A1 9/2014 Marconi  
 2017/0049042 A1 \* 2/2017 Hsu ..... E01H 10/007  
 2017/0202133 A1 7/2017 Rosenbaum et al.

FOREIGN PATENT DOCUMENTS

CN 201207808 Y 3/2009  
 CN 202354058 U 8/2012

OTHER PUBLICATIONS

“Black & Decker Motorised Law Seed/Fertiliser Spreader: Amazon.co.uk: DIY Tools,” <http://www.amazon.co.uk/Black-Decker-Motorised-Fertiliser-Spreade-r/dp/B000NY1E8K>, front page [Internet accessed on Feb. 25, 2015].  
 “New Ready 2Go Spreader,” <http://www.ready2gospreader.com/> 4 pages [Internet accessed on Feb. 25, 2015].  
 Detail View of “Wolf Garten WE-B Power Spreader,” <http://www.wolf-garten.org/products/seeds-and-fertiliser/spreaders-and-ho-se-reel-trolleysdetails>, 5 pages [Internet accessed on Nov. 23, 2015].

\* cited by examiner

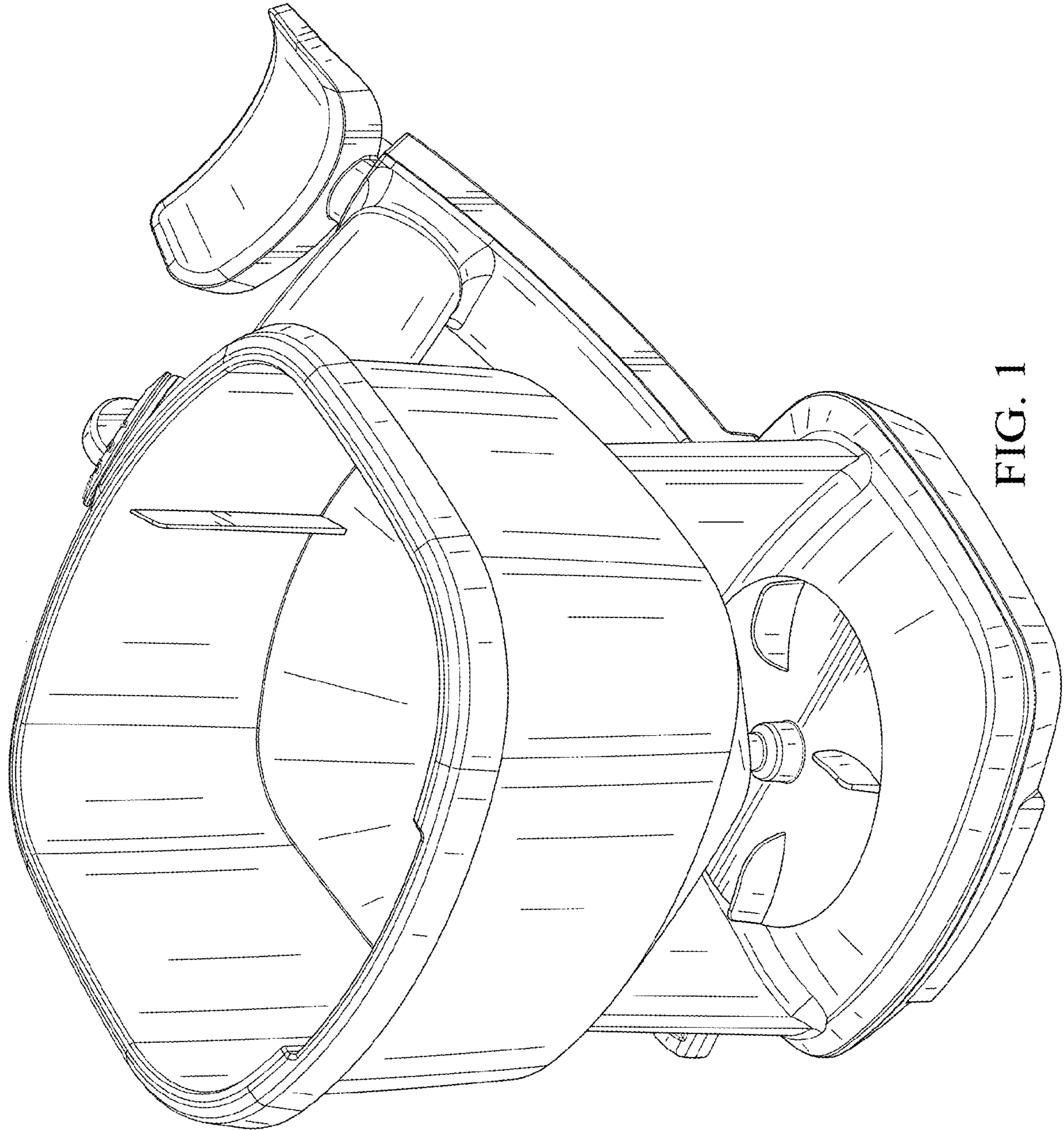


FIG. 1

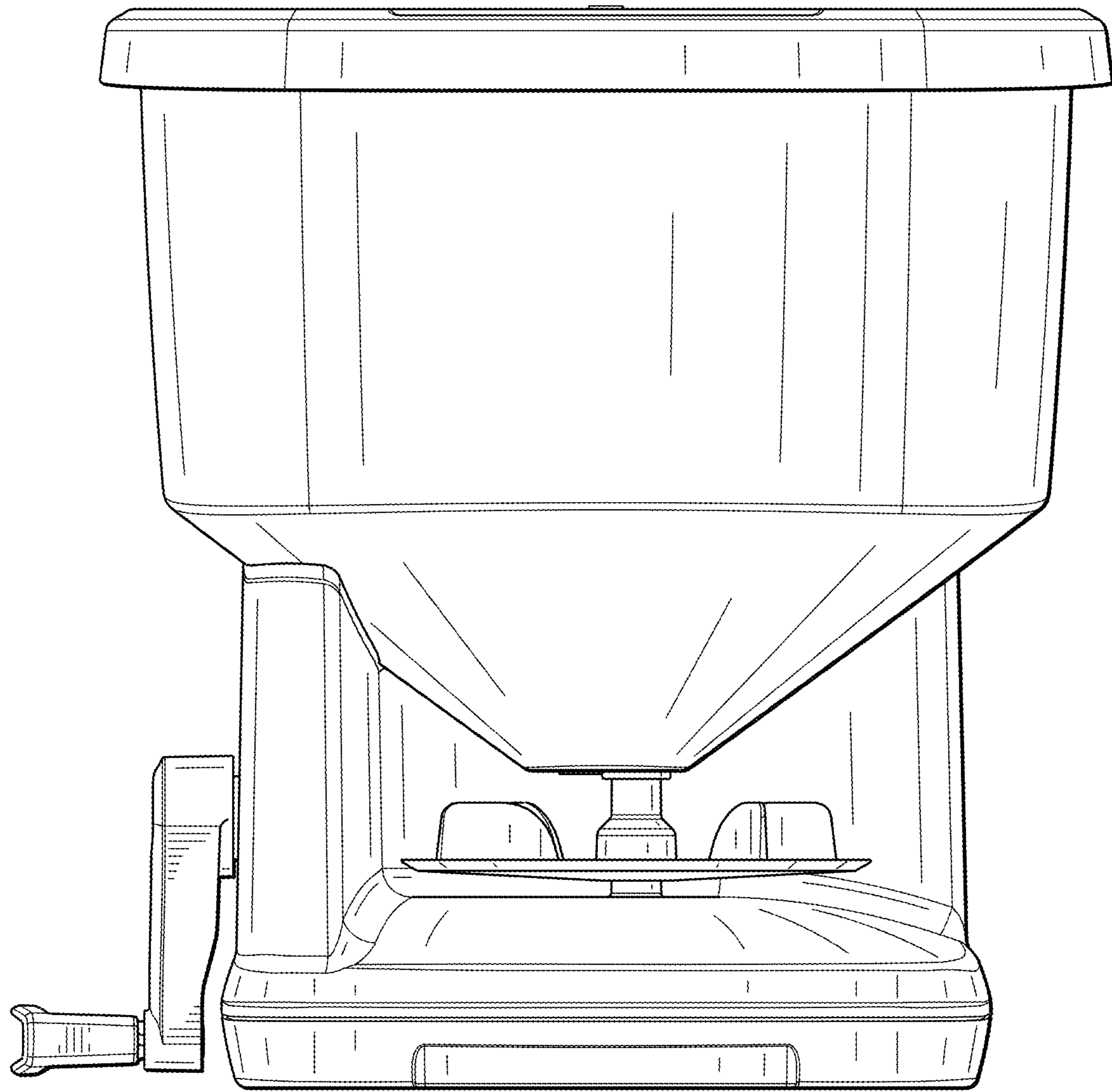


FIG. 2

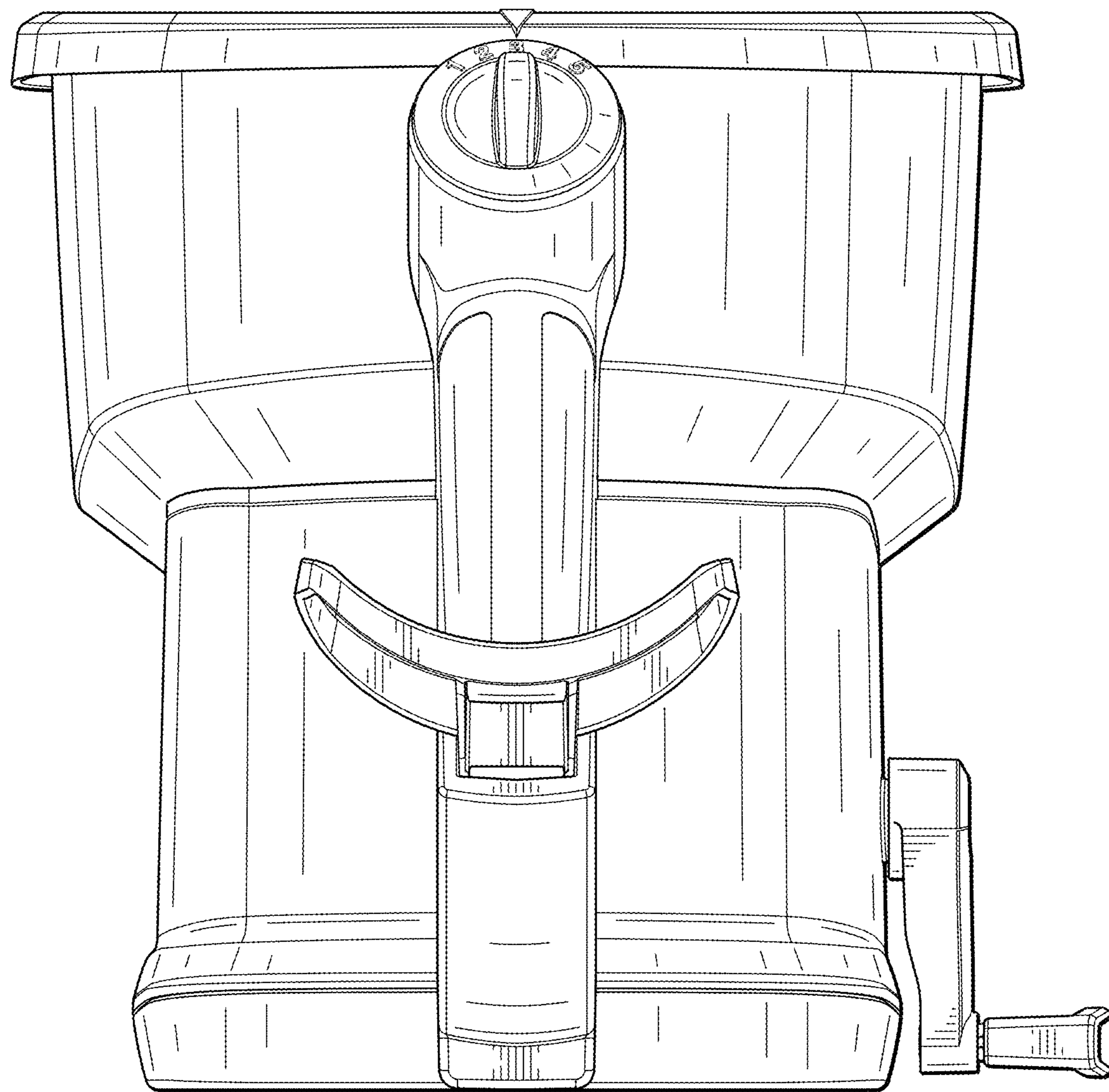


FIG. 3

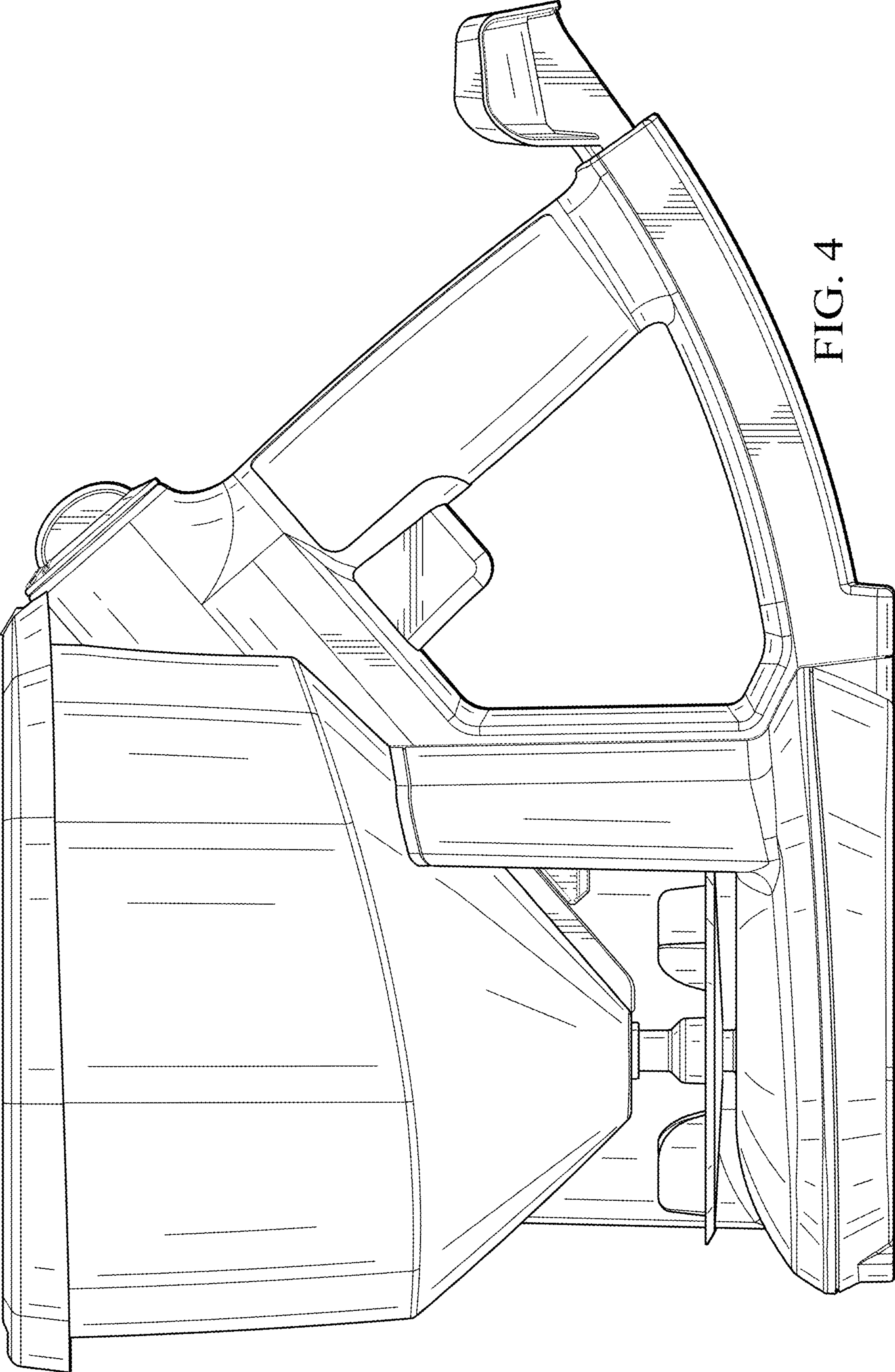


FIG. 4

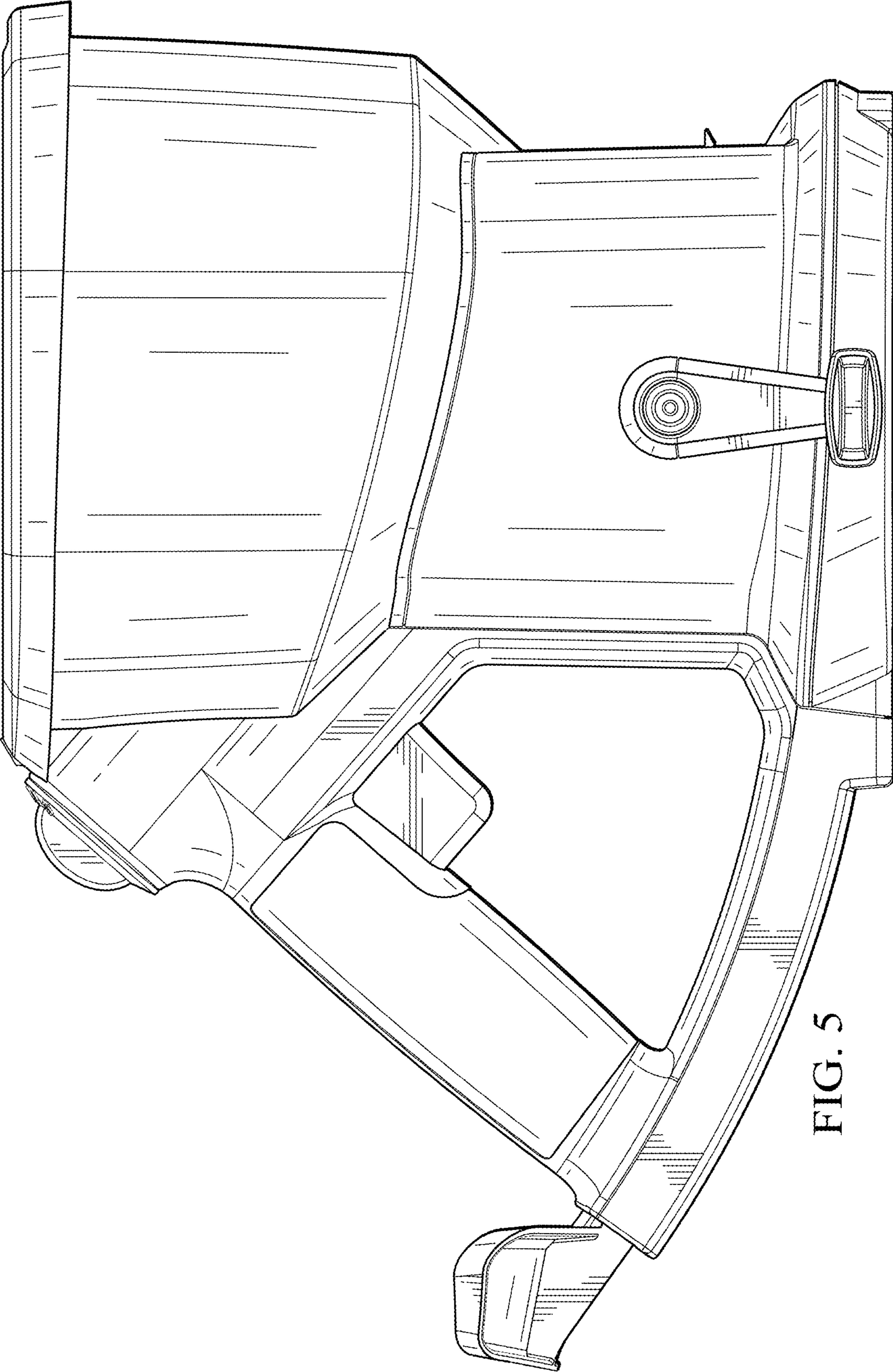


FIG. 5

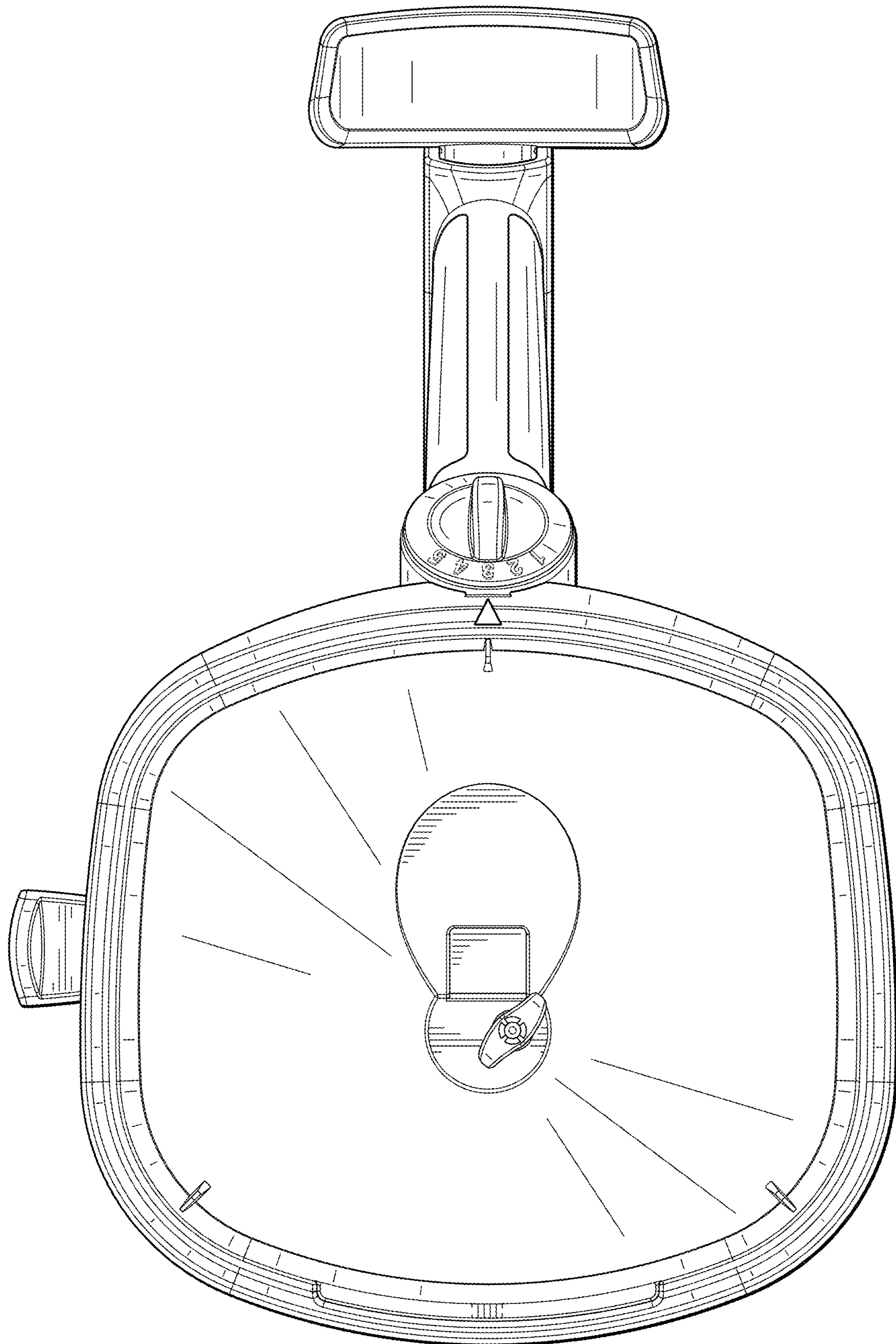


FIG. 6



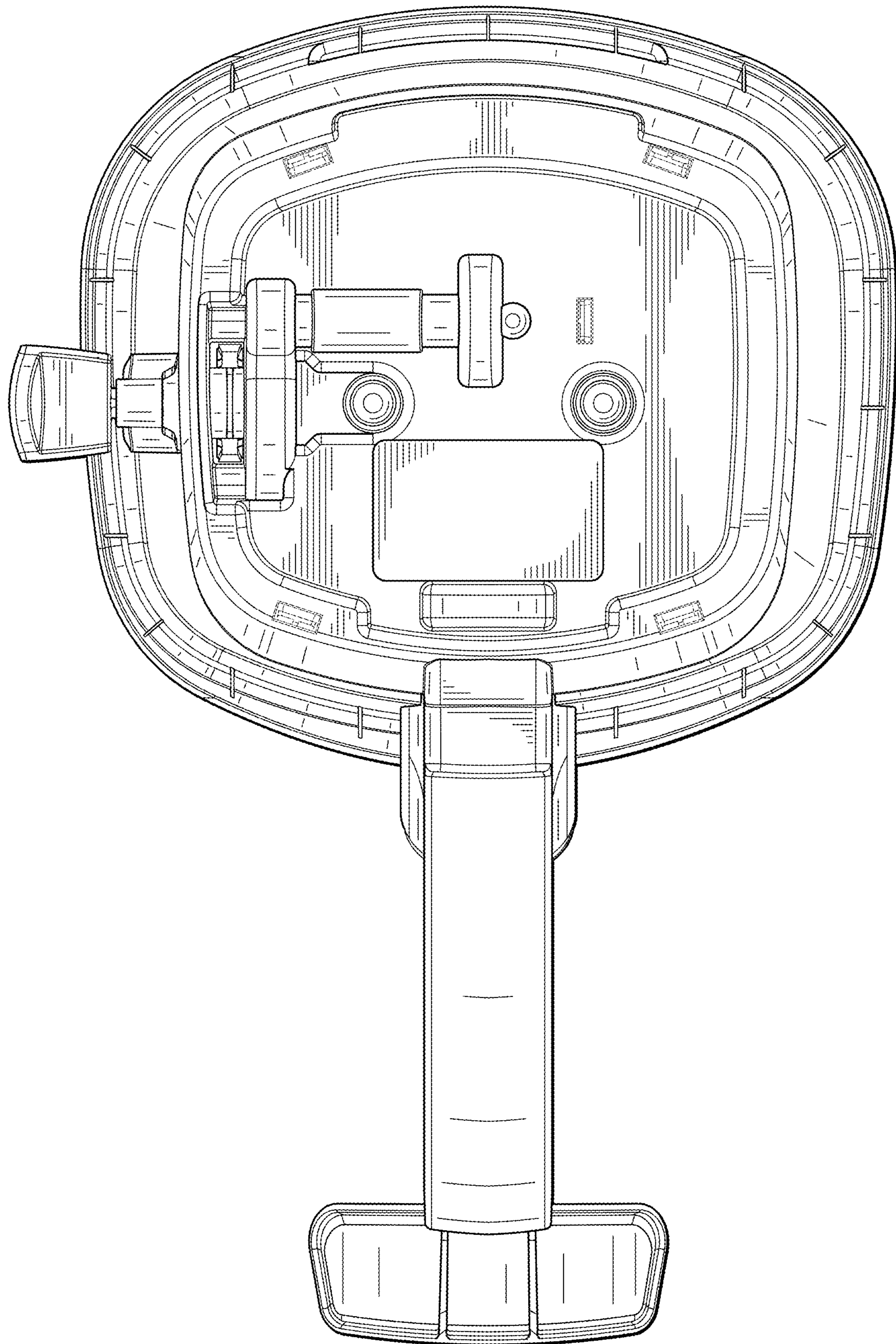


FIG. 7

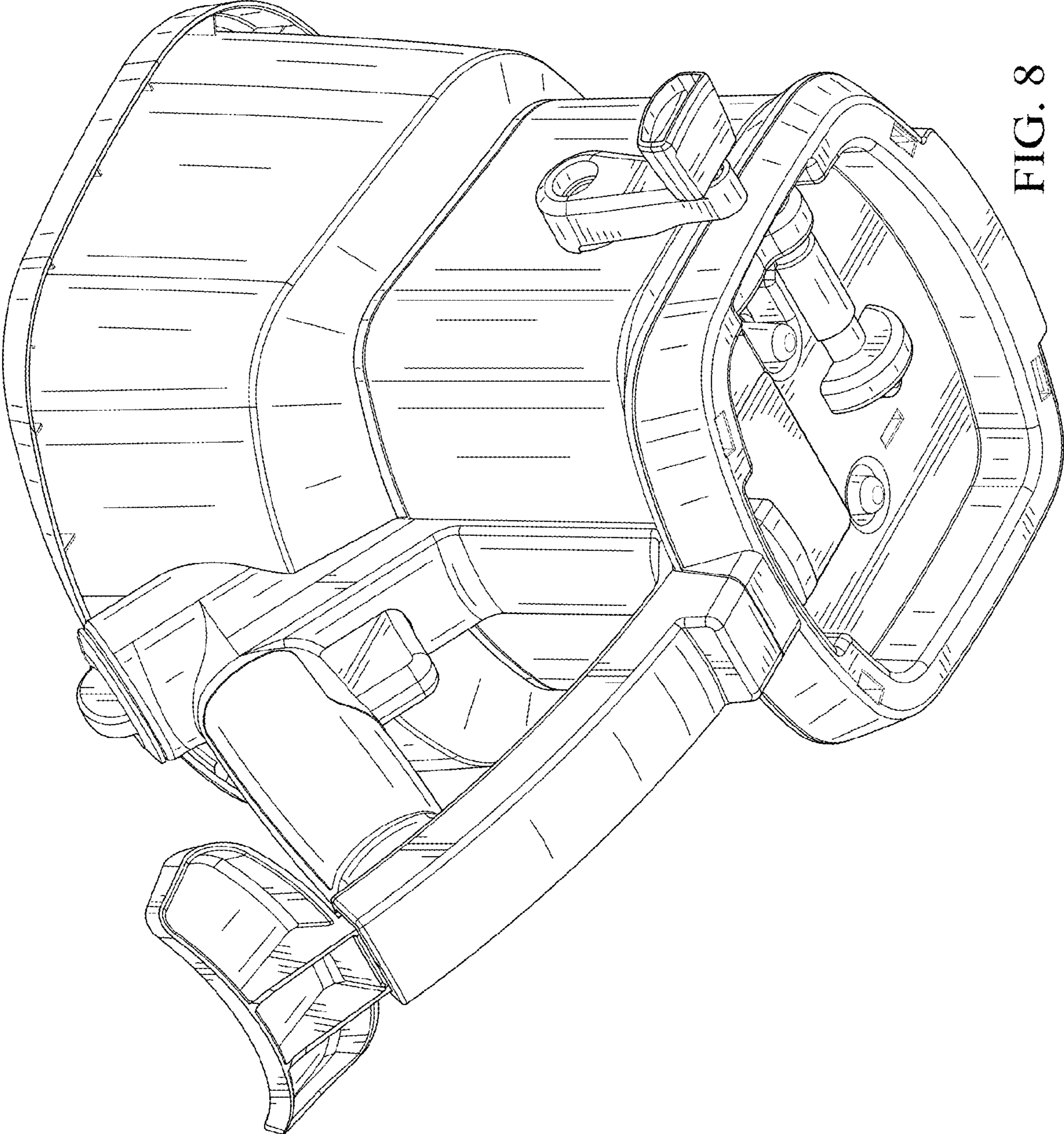


FIG. 8