



US00D916568S

(12) **United States Design Patent**  
**Wang**

(10) **Patent No.:** **US D916,568 S**

(45) **Date of Patent:** **\*\* Apr. 20, 2021**

- (54) **WINE GLASS HOLDER**
- (71) Applicant: **Wuyi Manchen Stainless Steel Products Co., Ltd., Jinhua (CN)**
- (72) Inventor: **Chunxiao Wang, Jinhua (CN)**
- (73) Assignee: **Wuyi Manchen Stainless Steel Products Co., Ltd., Jinhua (CN)**

4,947,991 A *	8/1990	Snell .....	A47B 13/16 206/427
D329,359 S *	9/1992	Eggen .....	D19/77
D381,515 S *	7/1997	Haynes .....	D24/224
D505,841 S *	6/2005	Fiedeler .....	D6/525
D634,541 S *	3/2011	Gutierrez .....	D3/313
D649,416 S *	11/2011	Tietjen .....	D7/707
D786,029 S *	5/2017	Pannell .....	D7/708
D789,756 S *	6/2017	MacDonald .....	D7/701
D792,176 S *	7/2017	Lee .....	D7/701
D817,728 S *	5/2018	Brown .....	D7/701
D831,444 S	10/2018	Gu	

(\*\*) Term: **15 Years**

\* cited by examiner

(21) Appl. No.: **29/747,566**

*Primary Examiner* — Terry A Wallace

(22) Filed: **Aug. 24, 2020**

(74) *Attorney, Agent, or Firm* — ScienBiziP, P.C.

(51) **LOC (13) Cl.** ..... **06-04**

(57) **CLAIM**

(52) **U.S. Cl.**

The ornamental design for a wine glass holder, as shown and described.

USPC ..... **D7/701**

(58) **Field of Classification Search**

**DESCRIPTION**

USPC ..... D7/701, 707, 708, 637-641; D3/313;  
D6/512, 552, 672, 569, 682.2, 552.2, 525,  
D6/527, 528, 534, 535

CPC .... A47G 23/0641; A47G 23/06; A47G 23/02;  
A47G 23/0208; A47G 23/0241; A47B  
73/00; A47B 73/006; A47F 5/16; A47F  
7/28; A47F 7/283; B25H 3/04

See application file for complete search history.

FIG. 1 is a front perspective view of a wine glass holder, showing my design.

FIG. 2 is a front elevation view thereof.

FIG. 3 is a rear elevation view thereof.

FIG. 4 is a left side elevation view thereof.

FIG. 5 is a right side elevation view thereof.

FIG. 6 is a top plan view thereof.

FIG. 7 is a bottom plan view thereof; and,

FIG. 8 is cross-sectional view along a line labeled 8 in FIG. 6.

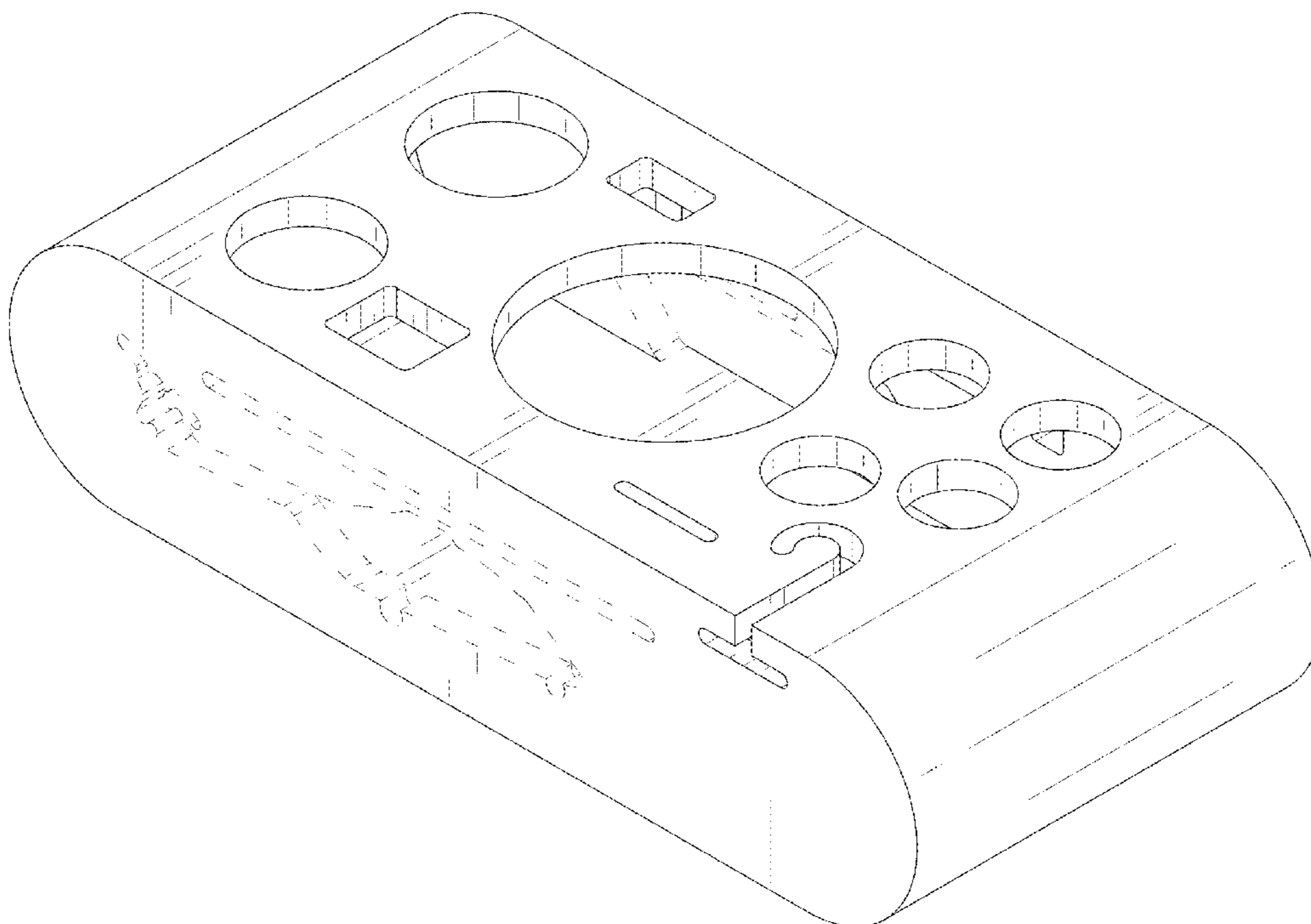
The broken lines in the drawings depict environmental structure and boundaries and form no part of the claimed design.

(56) **References Cited**

**U.S. PATENT DOCUMENTS**

D127,900 S *	6/1941	Block .....	D6/699
D198,098 S *	4/1964	Kaneko .....	D6/569
D231,594 S *	5/1974	Demers .....	D7/701
D253,084 S *	10/1979	Berger .....	D6/682.4
D253,154 S *	10/1979	Kriesten .....	D6/682.2

**1 Claim, 8 Drawing Sheets**



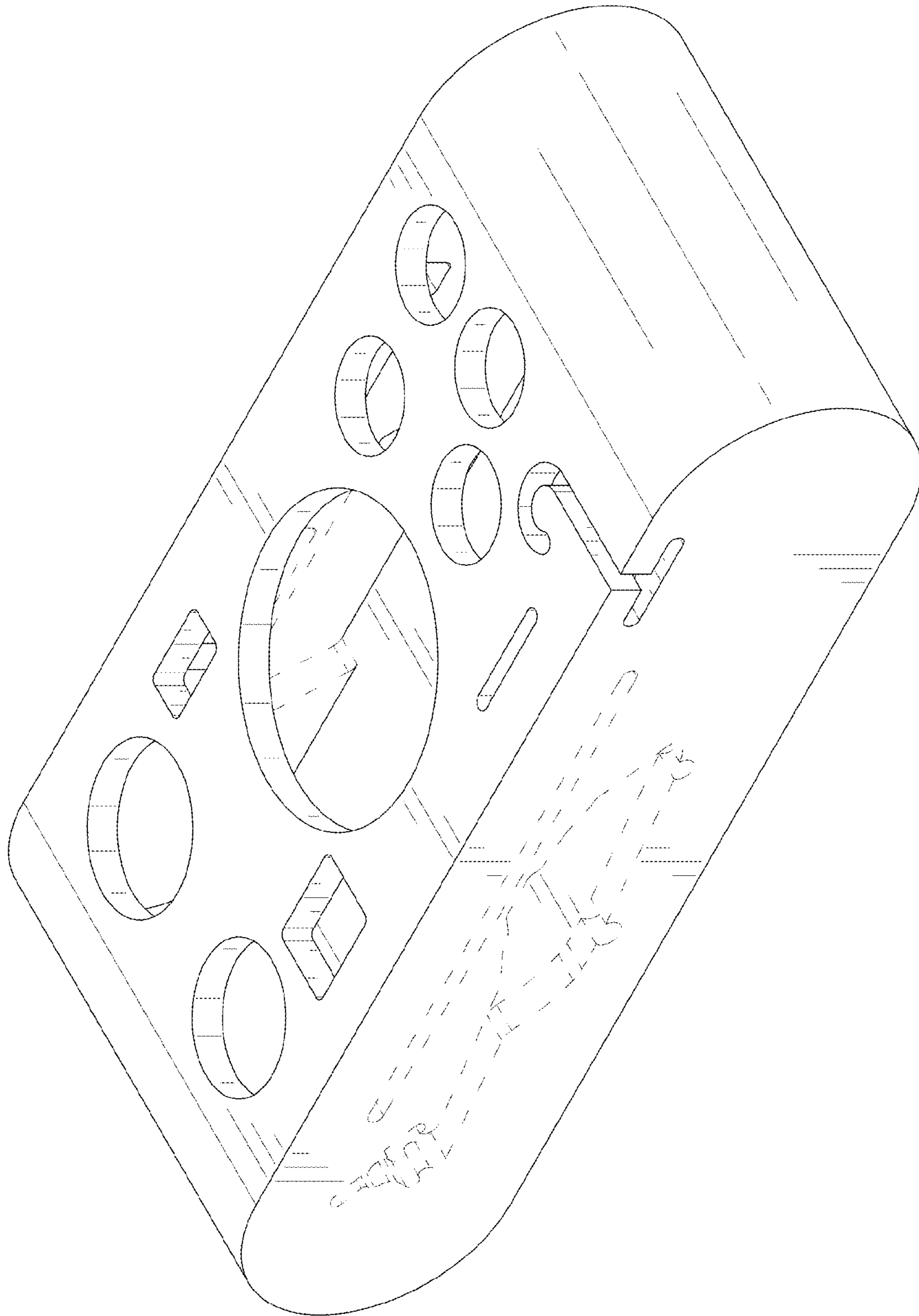


FIG.1

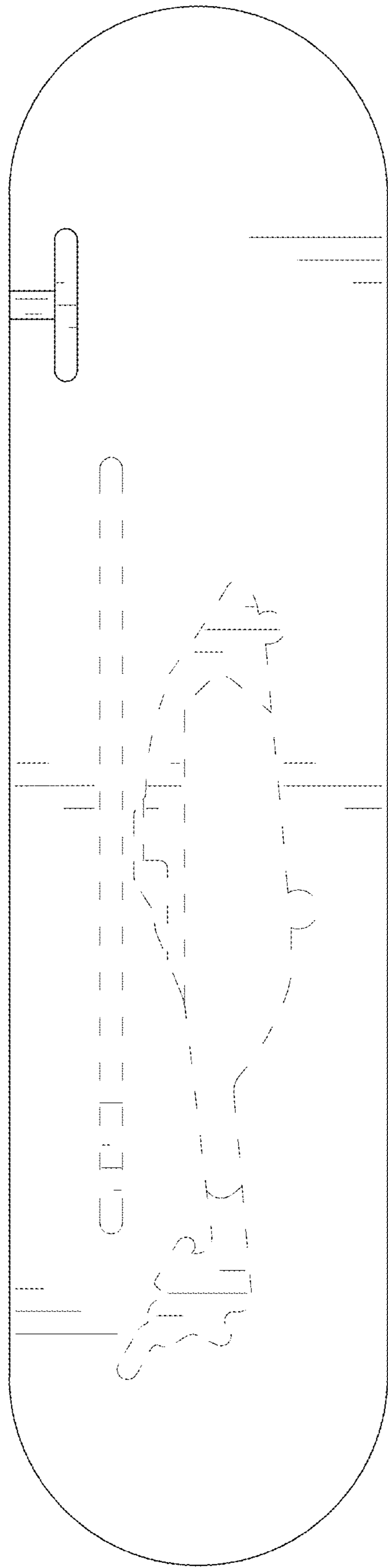


FIG. 2

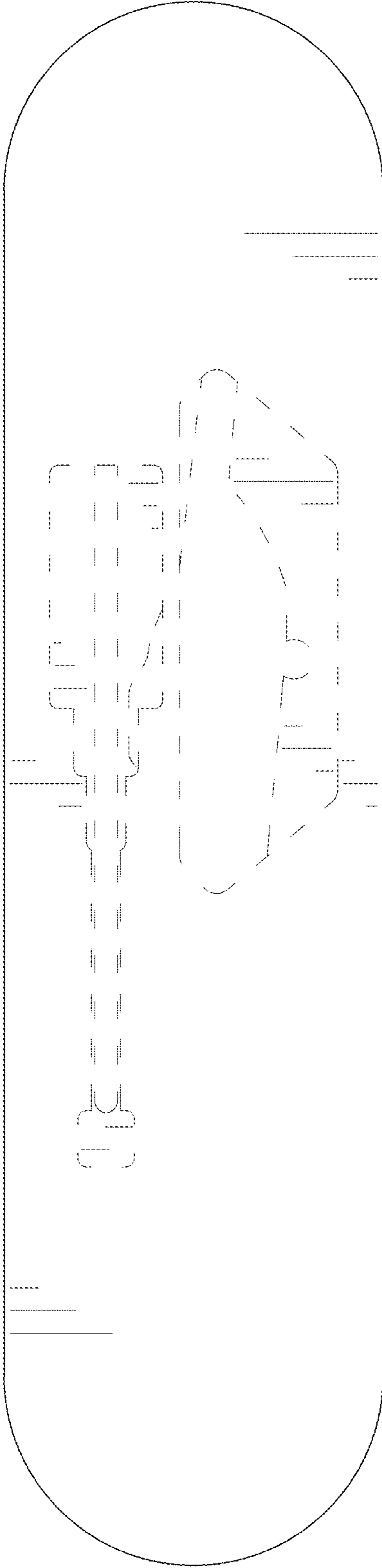


FIG.3

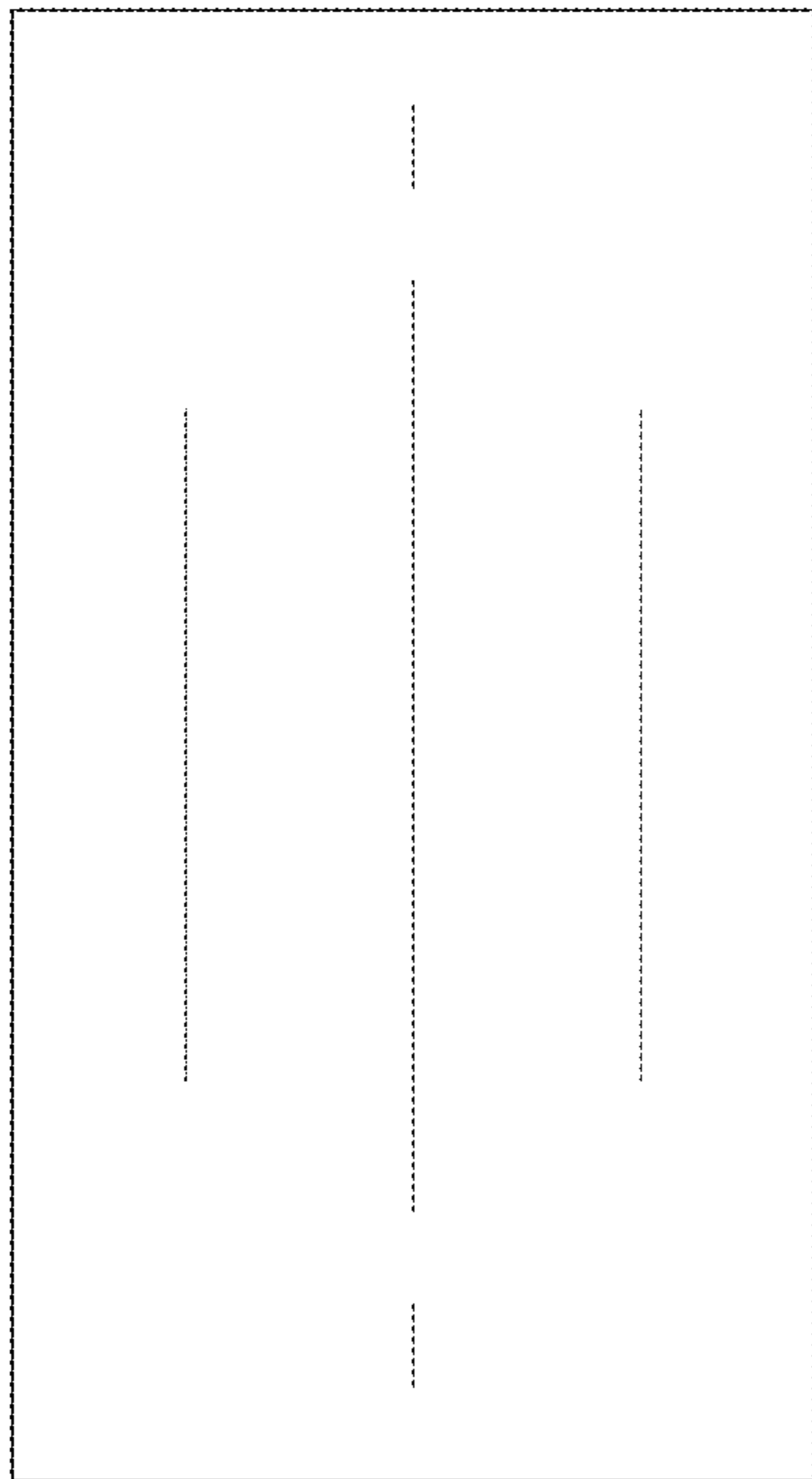


FIG.4

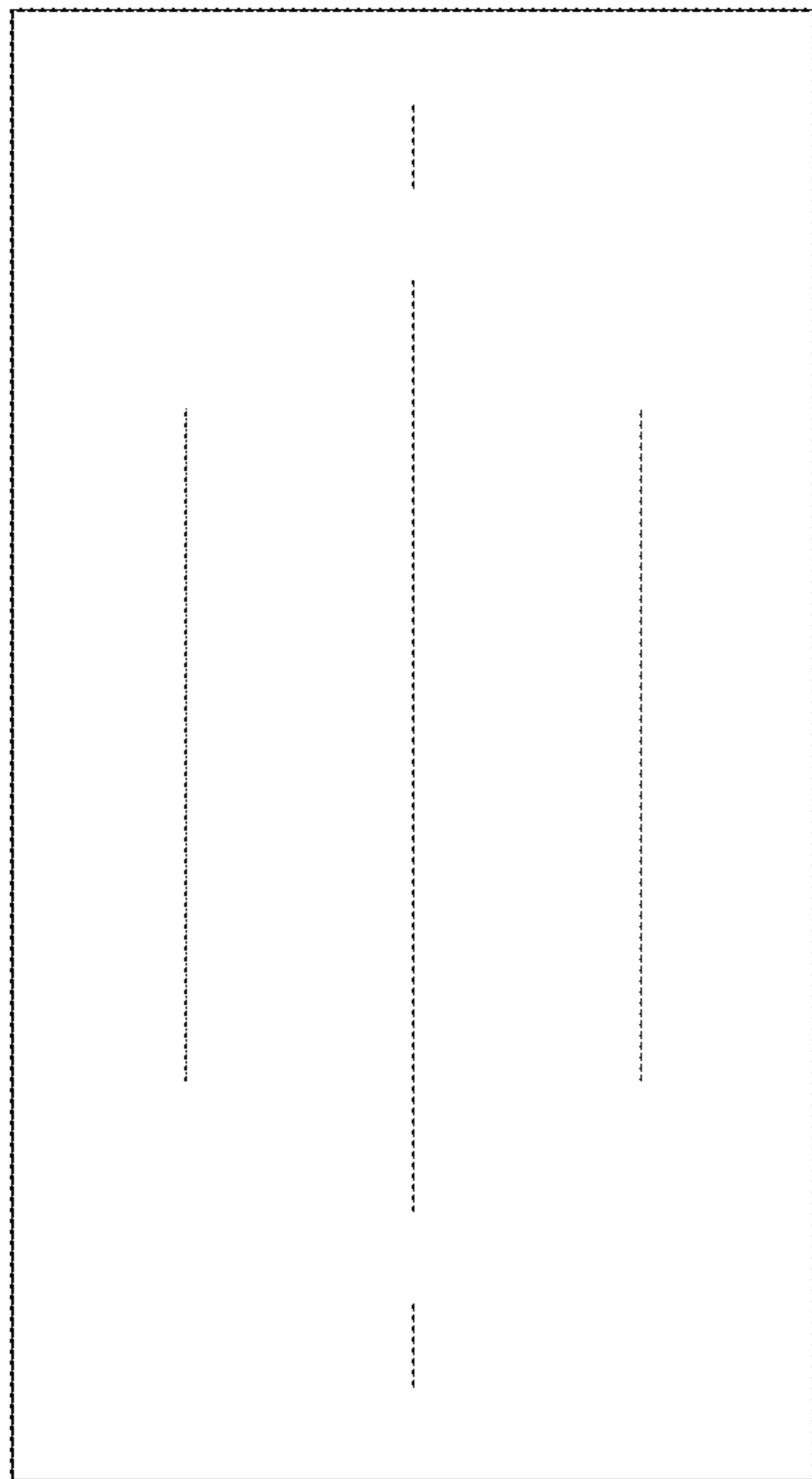


FIG. 5

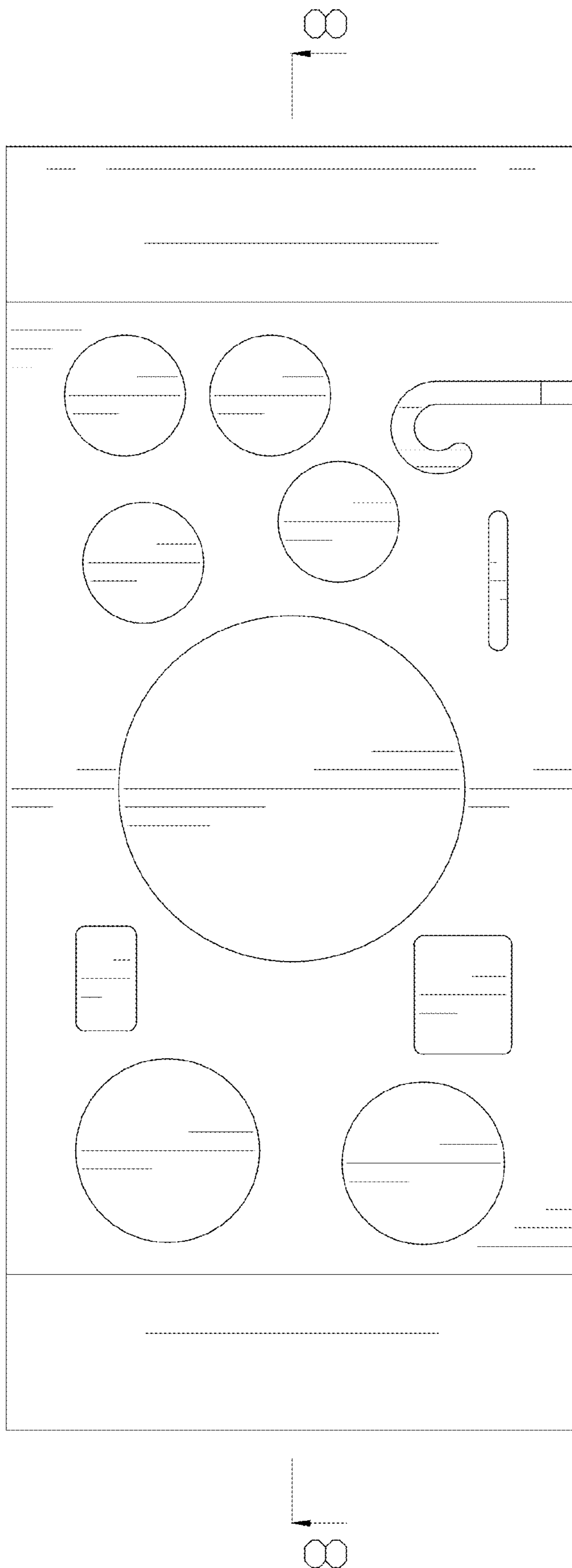


FIG.6

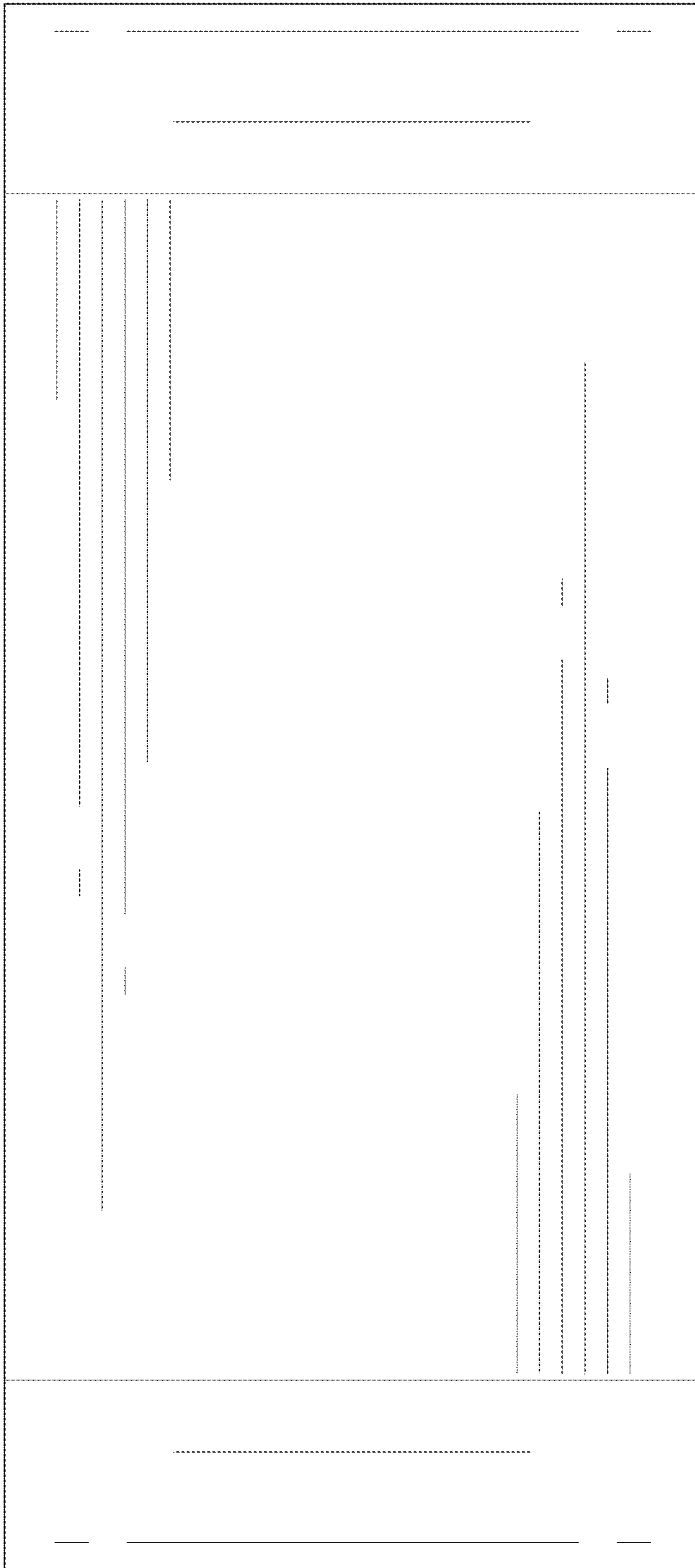


FIG. 7



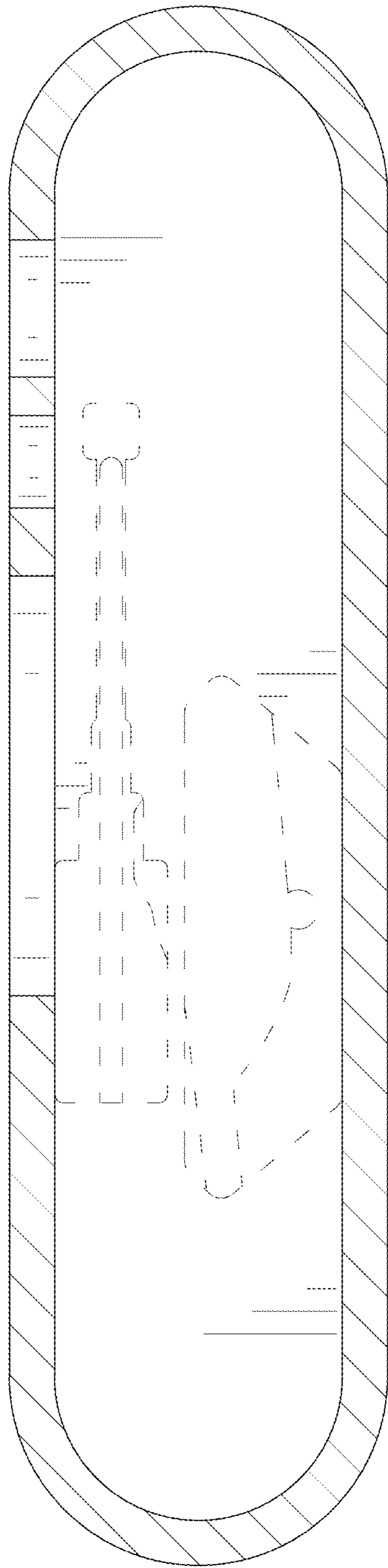


FIG. 8